

Version 1.0

SUNSEEKER

Instruction Manual

Original Instructions

Read the operator's manual carefully and make sure that you understand the instructions before you use the product

X5



sunseeker
elite

EN**2**

DE **26**

FR**50**

IT**74**

NL **98**

DK.....**122**

SE **146**

NO**170**

FI.....**194**

PL.....**218**

CZ**242**

HU.....**266**

GA.....**290**

Table of Contents

1. Safety and Regulations	4
1.1 General	4
1.2 General Safety Instructions	4
1.3 Safety Instructions for Installation	5
1.4 Safety Instructions for Daily Operation.....	6
1.5 Safety Instruction for Maintenance	6
1.6 Battery Safety	6
2. Symbols and Decals	6
3. Contents and Specification	7
3.1 Box Contents	7
3.2 Parts and Functions	8
4. Installation	10
4.1 Preparations.....	11
4.2 Install the Charging Station.....	11
4.3 Install the RTK Base Station.....	11
4.4 Charge and Activate the Mower	12
4.5 App Connection.....	13
5. Daily Operation.....	14
5.1 Display and Control on the Mower	14
5.2 Change the PIN code	14
5.3 IoT	15
5.4 Obstacle Avoidance.....	15
6. Maintenance.....	16
6.1 Cleaning.....	16
6.2 Replace Blades	17
6.3 Transportation	18
6.4 Battery	18
6.5 Power Supply.....	19
6.6 Storage.....	19
6.7 Recycling and End-of-life Disposal.....	20
7. FAQ and Troubleshooting	21
7.1 Error message	21
7.2 Trouble shooting	22
8. Important Information	23
8.1 Data Privacy.....	23
8.2 Limited Warranty	23
8.3 Disclaimers	23

1. Safety and Regulations

1.1 General

IMPORTANT
READ CAREFULLY BEFORE USE
KEEP FOR FUTURE REFERENCE

Intended Use

This garden product is only intended for lawn mowing, automatically cutting garden grass at any time of the day. Any usage beyond the intended purpose may pose hazards, potentially causing harm to individuals and/or damage to property. It is imperative to adhere strictly to the specified guidelines to ensure safety and prevent accidents.

Not Intended Use

This garden product is not intended for use by children or persons with reduced physical, sensory or mental capabilities, or lack of experience and knowledge, unless they have been given supervision or instruction concerning the use of the product by a person responsible for their safety.

Improper use encompasses, but is not limited to, transporting people, children, or animals on the machine; being transported by the machine; using the machine to pull or push loads; and employing the machine for cutting non-grass vegetation.

Residual risks- Wear protective gloves and eye goggles when conducting maintenance or replacing the blades in case of injuries.

Do not extend the cable between the power supply unit and charging station.



WARNING

- Do not touch hazardous moving parts before they have come to a complete stop.
- Keep the power cable, power supply unit, extension cord and all other electric cables which do not belong to the product outside the cutting area to maintain their distance from hazardous moving parts and prevent damage to cables which may come into contact with live parts. There is a risk of injury or death for operator or bystanders if the instructions in the manual are not obeyed.
- Automatic lawn mower! Keep away from the machine! Children must be supervised!
- Save all warnings and instructions for future reference.
- Read all safety warnings, instructions, illustrations and specifications provided with this product. Failure to follow all instructions listed below may result in electric shock, fire and/or serious injury.

1.2 General Safety Instructions

Work area safety

A. Do not operate machines in explosive atmospheres, such as in the presence of flammable liquids, gases or dust. Machines create sparks which may ignite the dust or fumes.

B. Read the instructions carefully. Be familiar with the controls and the proper use of the machine.

C. Never allow people unfamiliar with these instructions or children to use the machine. Local regulations may restrict the age of the operator.

D. The operator or user is responsible for accidents or hazards occurring to other people or their property.

Electrical safety

A. Mains plugs must match the outlet. Never modify the plug in any way. Do not use any charger plugs with earthed (grounded) devices. Unmodified plugs and matching outlets will reduce risk of electric shock.

B. Avoid body contact with earthed or grounded surfaces, such as pipes, radiators, ranges and refrigerators. There is an increased risk of electric shock if your body is earthed or grounded.

C. Do not abuse power cords. Never use the power cord for carrying, pulling or unplugging a device. Keep power cords away from heat, oil, sharp edges or moving parts. Damaged or entangled power cords increase the risk of electric shock.

D. If it is unavoidable to operate a mains-powered device in a damp location, use a residual current device (RCD) protected supply. The use of an RCD reduces the risk of electric shock.

E. Ensure the correct installation of the automatic perimeter delineation system as instructed.

F. Periodically inspect the area where the machine is to be used, and remove all stones, sticks, wires, bones and other obstacles.

G. Check the blades, blade bolts and cutter assembly regularly for wear or damage. Replace worn or damaged blades and bolts in sets to preserve balance.

H. On multi-spindle machines, take care as rotating one blade can cause other blades to rotate.

Personal safety

A. Do not allow persons unfamiliar with the machine or these instructions to operate the machine. Machines are dangerous in the hands of untrained users.

B. Stay alert, watch what you are doing and use common sense when operating the machine. Do not use the machine while you are tired or under the influence of drugs, alcohol or medication. A moment of inattention while operating the machine may result in 1094 serious personal injury.

C. Remove any adjusting key or wrench before operating the machine. A wrench or a key left attached to a rotating part of the machine may result in personal injury.

D. When controlling the machine manually, keep proper footing and balance at all times. This enables better control of the machine in unexpected situations.

E. Do not let familiarity gained from frequent use of machines allow you to become complacent and ignore machine safety principles. A careless action can cause 1101 severe injury within a fraction of a second.

Machine use and care

A. Disconnect the plug from the power source and/or remove the battery pack (if detachable) from the machine or other devices before making any adjustments, changing accessories, or storing. Such preventive safety measures reduce the risk of unintended starting.

B. Maintain machines and accessories. Check for misalignment or binding of moving parts, breakage of parts and any other condition that may affect the machine's operation. If damaged, have the machine repaired before use. Many accidents are caused by poorly maintained machines and accessories.

C. Use the machine and accessories in accordance with these instructions, taking into account the working conditions and the work to be performed. Use of the machine for operations different from those intended could result in a hazardous situation.

D. Never operate the machine with defective guards, or without safety devices.

E. Do not put hands or feet near or under rotating parts. Keep clear of the discharge opening at all times.

F. Never pick up or carry an machine while the motor is running.

G. Activate device lock/Set into "LOCK" to the machine
- before clearing a blockage;
- before checking, cleaning or working on the machine.

H. Do not leave the machine to operate unattended if you know that there are pets, children or people in the vicinity.

Service

A. Have your machine serviced by a qualified repair person using only identical replacement parts. This will ensure that the safety of the machine is maintained.

B. Keep all nuts, bolts, and screws tight to ensure the machine is in safe working condition.

C. Check the grass catcher frequently for wear or deterioration.

D. Replace worn or damaged parts for safety.

E. Ensure that correct blades are replaced.

F. Ensure that batteries are charged using the correct charger recommended by the manufacturer. Incorrect use may result in electric shock, overheating or leakage of corrosive liquid from the battery.

G. In the event of leakage of electrolyte flush with water/neutralizing agent, seek medical help if it comes into contact with the eyes, etc.

H. Servicing of the machine should be according to manufacturers' instructions.

BATTERY tool use and care

A. Recharge only with the charger specified by the manufacturer. A charger that is suitable for one type of BATTERY pack may create a risk of fire when used with another BATTERY pack.

B. Only use power tools with specifically designated BATTERY packs. Use of any other BATTERY packs may create a risk of injury and fire.

C. When BATTERY pack is not in use, keep it away from other metal objects, like paper clips, coins, keys, nails, screws or other small metal objects, that can make a connection from one terminal to another. Shorting the BATTERY terminals together may cause burns or a fire.

D. Under abusive conditions, liquid may be ejected from the BATTERY; avoid contact. If contact accidentally occurs, flush with water. If liquid contacts eyes, additionally seek medical help. Liquid ejected from the BATTERY may cause irritation or burns.

E. Do not use a BATTERY pack or tool that is damaged or modified. Damaged or modified batteries may exhibit unpredictable behaviour resulting in fire, EXPLOSION or risk of injury.

F. Do not expose a BATTERY pack or tool to fire or excessive temperature. Exposure to fire or temperature above 130 °C may cause explosion.

G. Follow all charging instructions and do not charge the BATTERY pack or tool outside the temperature range specified in the instructions. Charging improperly or at temperatures outside the specified range may damage the BATTERY and increase the risk of fire.

1.3 Safety Instructions for Installation

A. Do not install the charging station, including any accessory, at a location that is below, or within 24 inch. from, any combustible material. In case of malfunction, heating of the charging station and the power supply may occur and create a potential risk of fire.

B. Do not put the power supply at a height where there is a risk it can be put in water. Do not put the power supply on the ground.

C. Do not encapsulate the power supply. Condensed water can harm the power supply and increase the risk of electrical shock.

D. Applicable to USA/Canada. If power supply is installed outdoors: Risk of Electric Shock. Install only to a covered Class A GFCI receptacle (RCD) with a weatherproof enclosure and access to insert or remove the attachment plug cover.

E. Do not install the charging station where there is a risk of standing water.

1.4 Safety Instructions for Daily Operation

- A.** Keep your hands and feet away from the rotating blades. Do not put your hands or feet near or below the product when it is set to ON.
- B.** Use the park mode or set the product to OFF when persons, especially children or animals are in the work area.
- C.** Make sure that there are no objects such as stones, branches, tools or toys on the lawn. The blades can be damaged if they hit an object.
- D.** Do not lift the product or move it when it is set to ON.
- E.** Do not let the product collide with persons or animals. If a person or animal comes in the way of the product, stop the product immediately.
- F.** Do not put objects on top of the product or the charging station.
- G.** Do not use the product if the STOP button does not work.
- H.** Always set the product to OFF when it is not in operation.
- I.** Do not use the product and a pop-up sprinkler at the same time. Use the Schedule function at the same time.
- J.** Do not let the product operate when there is standing water in the work area, such as an area with pools of water formed by heavy rain.

1.5 Safety Instruction for Maintenance

- A.** Set the product to OFF when you do maintenance on the product.
- B.** Do not use a high-pressure washing machine to clean the product. Do not use solvents to clean the product.
- C.** Disconnect the plug from the charging station before you clean or do maintenance on the charging station.

1.6 Battery Safety

Lithium-ion batteries can explode or cause fire if disassembled, short-circuited, or exposed to water, fire, or high temperatures. Handle carefully and do not dismantle or open the battery or use any type of electrical/mechanical abuse. Avoid storage in direct sunlight.

2. Symbols and Decals






These symbols can be found on the product. Please read them carefully.

	WARNING: Read the user instructions before operating the product.
	WARNING: Disable the product before working on or lifting the machine. Never touch the rotating blade.
	WARNING: Keep a safe distance from the machine when operating. Keep other persons out of the danger area.
	WARNING: Do not ride on the machine.
	Use a detachable power supply as defined on the rating label next to the symbol.
	CE conformity mark.
	Sound power level, determined by European outdoor noise directive. The product's emissions are set out in Technical data on page 6 and on the rating plate.
	Do not dispose this product as normal household waste. Ensure that the product is recycled in accordance with local legal requirements.
	Class III
	DC









Symbols on battery pack

	Read the user instructions.
	Do not discard the battery into fire and do not expose the battery to a heat source.
	Do not immerse the battery into water.
	Recyclable mark.
	It is not permitted to dispose this battery pack as normal household waste. Ensure that the battery pack is recycled in accordance with local legal requirements.

Symbols on charger

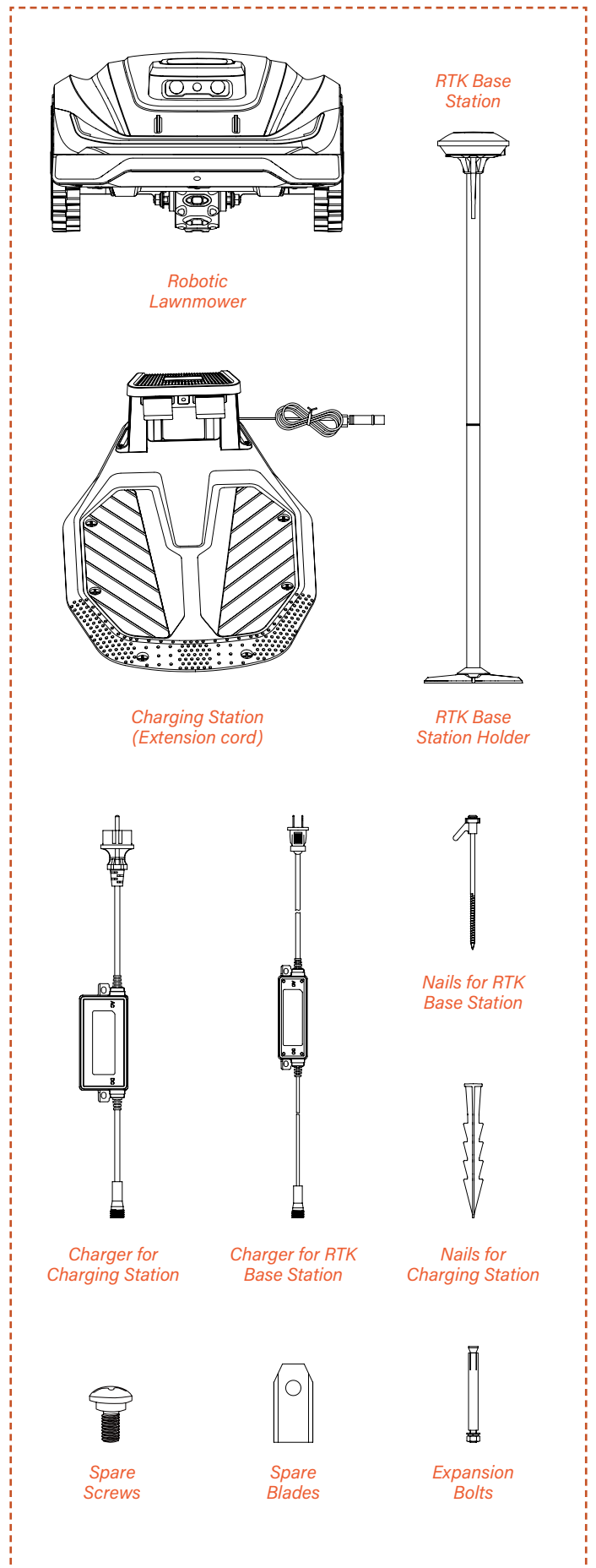
	Read the user instructions.
T3.15A 	Replace with fuse in accordance with rating.
T2A 	Replace with fuse in accordance with rating.
	Class II construction.
	Do not discarded as unsorted waste but must be sent it to separate collection facilities for recovery and recycling in accordance with local legal requirements.

Symbols on robot screen

	Power on/off
	Start button
	Home button
	Ok button
	PIN code setting
	Times setting
	Bluetooth
	Wi-Fi

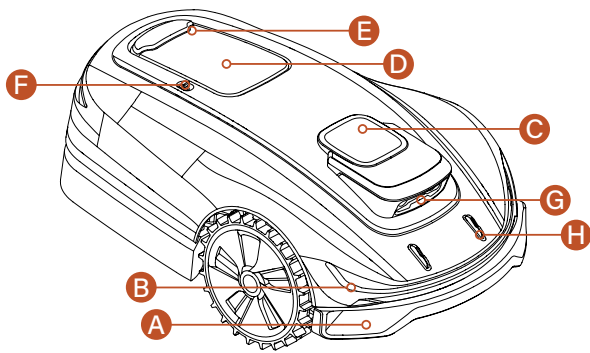
3. Contents and Specification

3.1 Box Contents

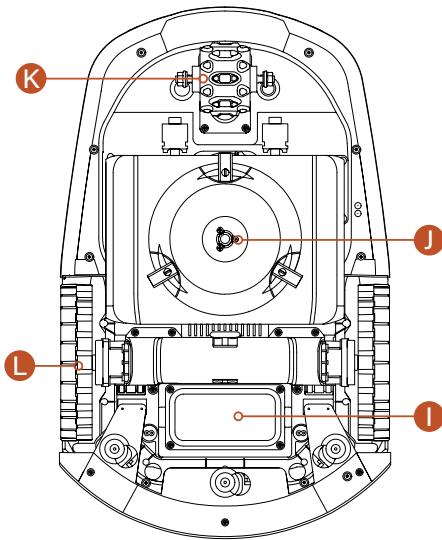


3.2 Parts and Functions

Top View



Bottom View



H - Charging Electrodes - The charging electrodes on the machine connect to those on the charging station electrodes to charge the machine's battery.

I - Battery Compartment - The compartment for storing the battery.

J - Rotating Cutting Plate - Device for trimming the lawn when the machine is in operation.

K - Wheel Hub Motor - An excellent steering control device and power supply for operation.

L - Drive Wheels - Power output for movement with excellent off-road capabilities.

NOTE

Do not immerse the machine in water, as this may damage the components and void the warranty within the specified period.

A - Collision Bumper-When visual positioning is not available, the collision bumper can ensure the machine's normal operation.

B - LED Lights - LED lights on the mower will indicate the machine's operating status.

C - RTK Positioning Antenna - Interactive positioning device for the RTK base station, the machine and satellites.

D - Control Panel - The panel to turn the machine's power on and off; to command the machine to work or return; and etc.

E - STOP Button - Emergency stop button to stop the machine in case of any urgent situation.

F - Rain Sensor - The rain sensor can detect rain and the machine can return to the charging station automatically to avoid rain according to the user's setting.

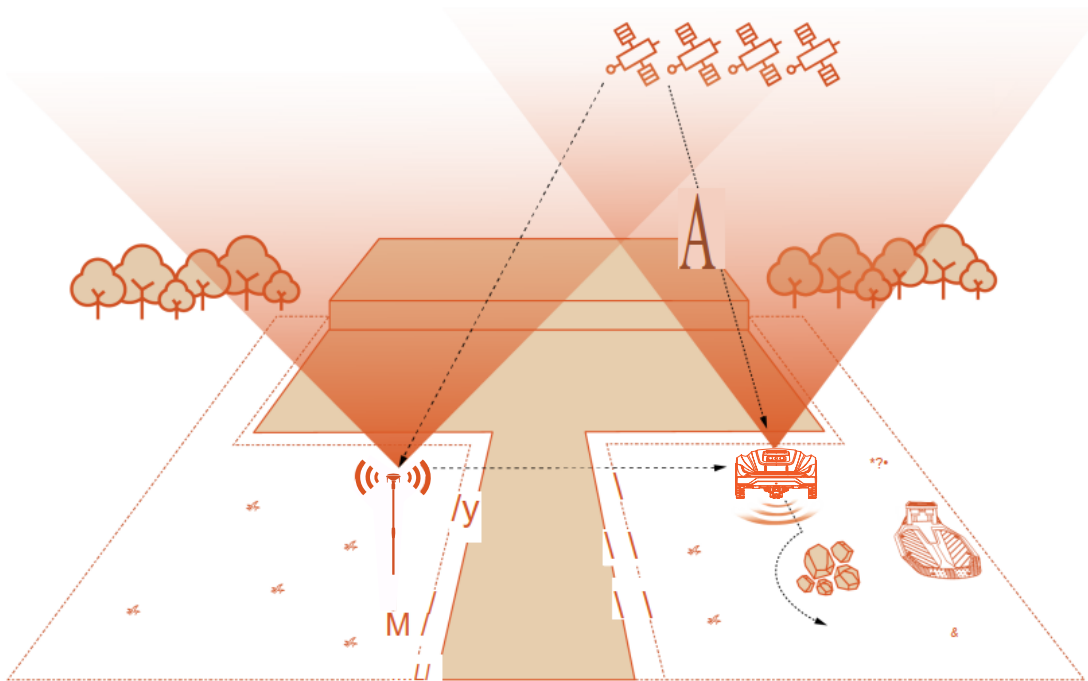
G - Binocular Camera - The AI-assisted binocular camera helps the mower detect and avoid obstacles.

3.3 Specification

TECHNICAL SPECIFICATION	X5-2000 RMX2000L20V
Boundary wire	Wireless / boundary free
Max mowing area	2000m ²
Cutting height min/max	20-60mm
Height adjustment	Manual
Cutting width	22cm
Battery Capacity	5 Ah
User interface	APP & keypad display
Max slope	30° (60%)
Robot dimensions	680*420*275 cm
Certificates	CE RoHS
Net weight	11.8 kg
Sound power level LWA	60 dB (A)
Sound Power Uncertainties KWA	3dB(A)
Sound Pressure Level LpA	52 dB (A)
Sound Power Uncertainties KpA	3dB(A)
FEATURES	
Wifi / Bluetooth	▪
Intelligent mapping	▪
Path planning	3 options
VSLAM	▪
Super Wifi	▪
FOTA	▪
Quick return to charging station	▪
AWD (all wheel driven) wheels	3 wheels
Garden Map on APP	▪
Multi-zones	Up to 8
Working schedule (setted in APP)	Automatic or manual setting via APP
Bump sensor	▪
Water wash	▪
Anti-theft: by GPS + 4G*	○
Google assistant & Amazon Alexa	▪
PIN code	▪
Lift & Tilt sensor	▪
Eco mode	▪
LED head lights	▪
ACCESSORIES	
Base fitting nails	8 pcs
Charger	3 A (CGF253)
Power supply	1.1 A (CGF251)/2 A (CGF152)

4. Installation

RTK full-frequency satellite positioning technology helps the lawnmower acquire high-precision location information. Together with VSLAM technology and Sunseeker AIR (Artificial Intelligence Recognition), the robot can perform positioning and navigation tasks in various scenarios, including complex environments, ensuring high-quality lawn maintenance. Sunseeker's advanced hardware and software (intelligent algorithms) significantly enhance the mower's environmental recognition, positioning accuracy, and overall performance. Similar to the human brain, Sunseeker's advanced algorithms process information from RTK (Real-Time Kinematic), VSLAM (Visual Simultaneous Localization and Mapping), IMU (Inertial Measurement Unit), and odometers to optimize environmental recognition under various conditions. Sunseeker RTK technology, which receives full-frequency satellite signals and performs real-time positioning, enables users to set virtual boundaries for their lawnmowers, eliminating the need for traditional boundary wires. Within these virtual boundaries, the lawnmower can plan its mowing paths with high precision and efficiency, achieving optimal mowing coverage.

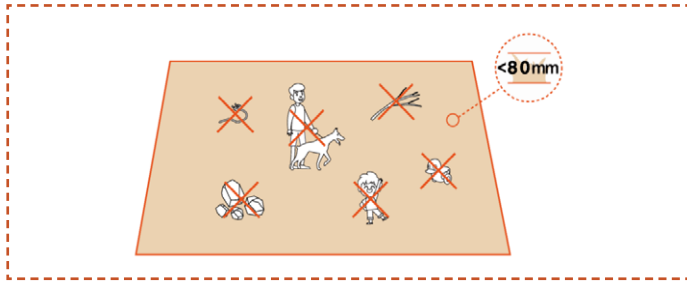


4.1 Preparations

Prepare the lawn

- A.** Clear away any debris, piles of leaves, toys, wires, stones, or other obstacles.
- B.** To ensure safety, please make sure that children and pets are off the lawn.
- C.** Please cut your lawn to a height of no more than 80mm before using the robotic mower.
- D.** Total lawn size is up to 2000m².

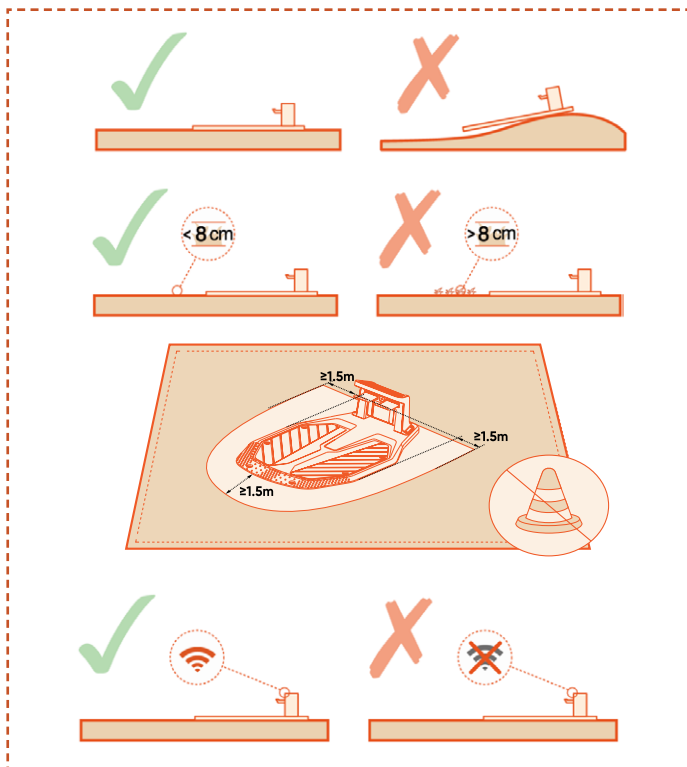
Recommended lawn types are shown in the pictures below:



4.2 Install the Charging Station

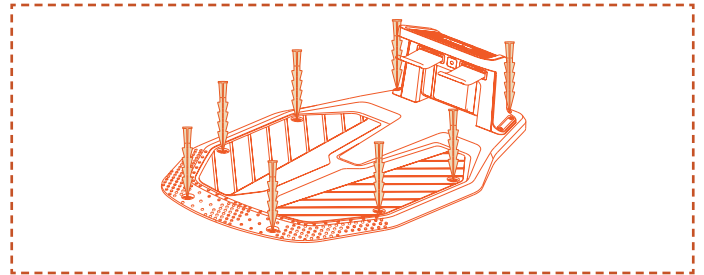
Find a proper location

Ensure that the lawn mower can successfully exit and return to the charging station, install the charging station on an open flat ground covered by household WIFI. There should be no obstacles within 1.5 m in front of the charging station. If there is grass, it should be lower than 8 cm.

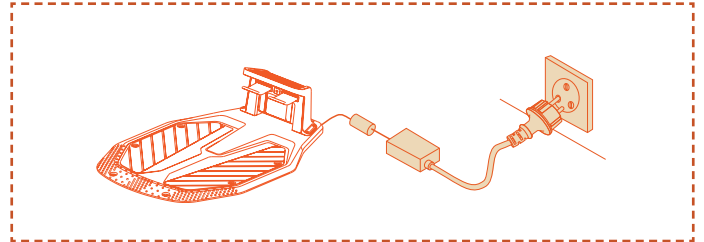


Install the charging station

- A.** Nail the charging station on a non-hardened and flat ground.



- B.** Connect the power cord to the power supply. If there is a significant distance between the charging station and the power supply, ensure that the power cord is securely fastened to the ground and wall to ensure safe operation.

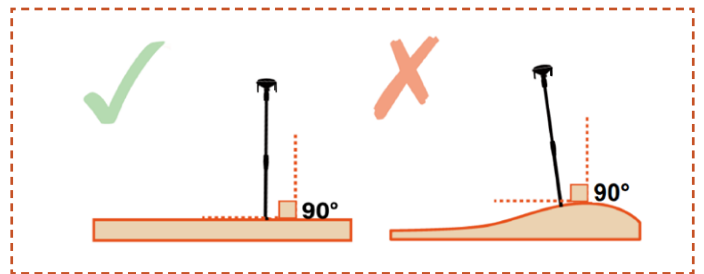


- C.** If full openness on all sides can't be achieved, at least keep the southern sky clear when in the Northern Hemisphere, or the northern sky when in the Southern Hemisphere. Try to keep the east and west sides clear of obstacles.

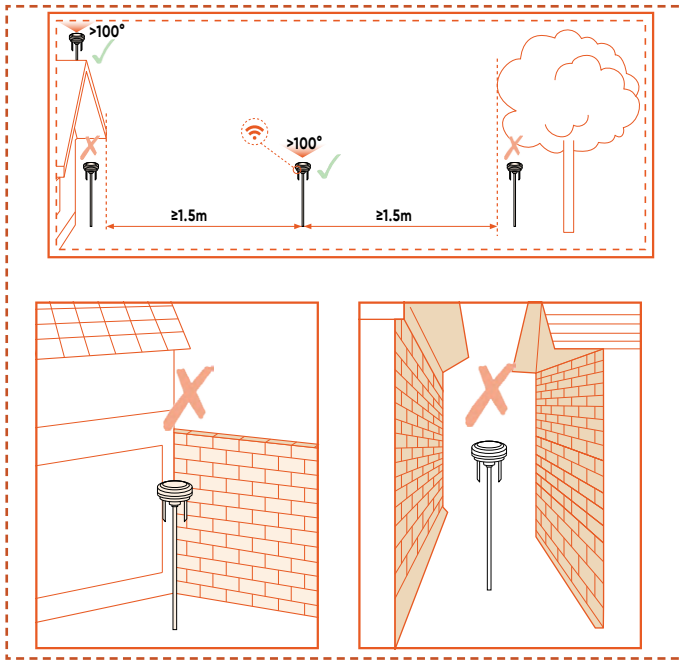
4.3 Install the RTK Base Station

Find a proper location

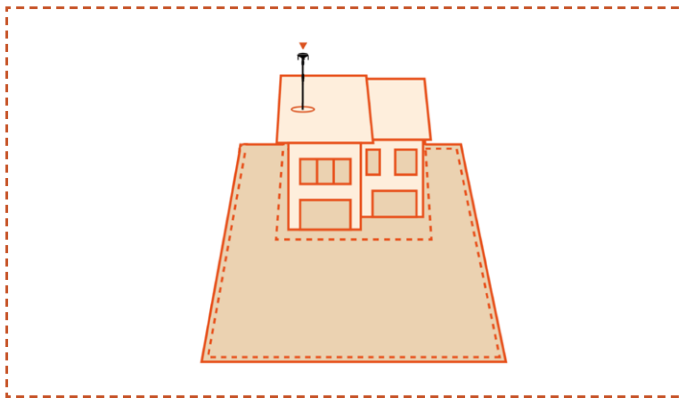
- A.** Place the RTK base station upright. Avoid installing the RTK base station on a slope.



- B.** The location should be covered by your household Wi-Fi.
- C.** To ensure a good reception of satellite signals, install the station in an open and flat space with nothing blocking the signal, where it has a at least 100° clear signal receiving angle with unobstructed sky.
- D.** The distance between RTK base station and wall or trees need to be greater than 1.5 m.



E. If you have separate lawns or if your lawn is shaped like the letter "O", "U", we recommend that you install the RTK base station on the roof or the wall.



F. If full openness on all sides can't be achieved, at least keep the southern sky clear when in the Northern Hemisphere, or the northern sky when in the Southern Hemisphere. Try to keep the east and west sides clear of obstacles.

Install the RTK base station

- A.** Use nails to install the RTK base station in a location with an approachable power source.
- B.** Connect the extension cable and charger to the RTK base station
- C.** Plug the RTK base station into the power source.

Check the satellite signal



Location Indicator Light

- Solid green: Good satellite signal at this location.
- Solid orange: Weak satellite signal at this location; it is recommended to reinstall the base station in an area with better signal, free from obstructions.
- Solid red: Very weak satellite signal at this location; you must reinstall the base station in an area with a better signal, free from obstructions

Wi-Fi Indicator Light

- Solid green: Wi-Fi connected and server access established
- Blinking green: Wi-Fi connecting or not connected to the server
- No green light: Wi-Fi not connected

Super Wi-Fi Indicator Light

- Solid green: Normal communication
- Blinking green: Pairing in progress
- No green light: Communication abnormality

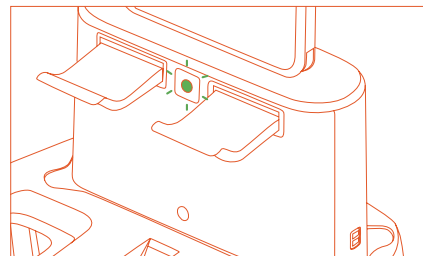
Power Indicator Light

- Solid green: Power abnormality
- Blinking green: Power normal
- No green light: No power

4.4 Charge and Activate the Mower

Charge the mower

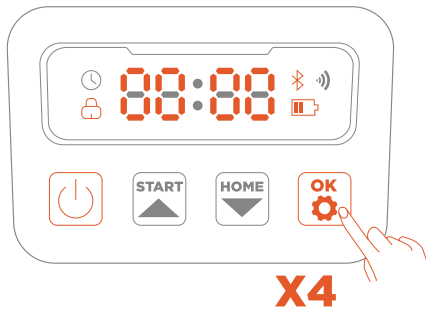
Push the mower into the charging station, ensure that the charging electrodes connect properly. The green light on the charging station flashing indicates normal charging.



Activate the mower

- A.** Long press the power on button and enter the password. The default PIN code is "0000". Press OK each time you enter 0 to complete the setting process.
- B.** When entering the password, you can use the START button as the plus key (+) and the HOME button as the minus key (-).

C. If you want to change the password, long press the start and home button at the same time to change the password.



Note

If the indicator light remains off even when there is power supplied properly, please contact customer support.



Caution

- Do not drop chargers on the ground within the virtual boundaries.
- If the charging station is installed within the virtual boundaries, secure the extension cord to the ground to ensure the proper operation of the mower.



WARNING

- DO NOT charge if the machine, charger, charging station, or power socket is damaged.
- DO NOT charge the mower when the temperature is above 40 °C (104 °F), or below 5 °C (41 °F). Charging will not occur if the temperature limits are exceeded.
- Immediately stop charging if an abnormal smell, sound, or light appears.
- Avoid charging near flammable or explosive materials.

4.5 App Connection

NOTE

The following illustrations regarding the App are for demonstration purposes only. Options available may vary depending on software version.

How to use Sunseeker App

- Make sure that the machine is on the charging station and charging properly.
- Scan the QR code to download the Robotic Mower App, or search for "Robotic Mower" in the Google Play Store (Android) or the Apple App Store (iOS) to complete the set up.



iOS



Android



C. Create a new account and sign in. Turn on your phone's Bluetooth and Wi-Fi. Scan the machine's SN QR code to add your robotic lawn mower. After successful pairing, enter the default machine password 0000. Passwords can be changed on the phone.

D. Configure your Wi-Fi for the machine in the App. The machine must be connected to the same Wi-Fi as your mobile phone. Enter your home WiFi name and password.

E. Connect to the Wi-Fi. Once the connection is successful. Once the connection is successful, the Wi-Fi icon on the robot and APP will light up.

F. Name your robot.

NOTE

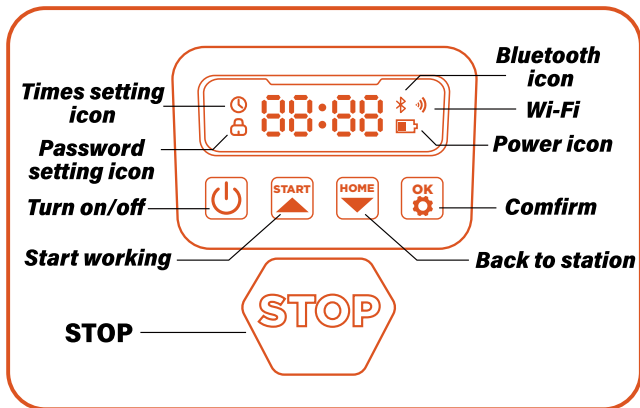
When necessary, the App will request access to Bluetooth and Wi-Fi networking, to ensure proper setup and future functionality, grant access to these features.

Use Robotic Mower App to

- Bind and activate the mower.
- Create a map (work area).
- Monitor the status and work progress of the mower, and remotely control its operations such as starting, stopping, or returning to the charging station.
- View and change mower work settings (Mowing schedule, Cutting height, Map management).
- View and change mower security/function settings (PIN, Blade Halt, etc.).
- View or update the device's firmware version, view network link status.
- Unbind, change, or add devices.
- Get help information and after-sales support.

5. Daily Operation

5.1 Display and Control on the Mower Display



Power icon: The battery power icon shows the remain power of the machine. This icon displaying 1 bar indicates that the power is 30% or under, displaying 2 bars indicates that the remain power is between 31-66%, and displaying 3 bars indicates power of 67% and higher.

Wi-Fi icon: The Wi-Fi icon indicates whether the machine connects successfully to the Wi-Fi or not.

Bluetooth icon: The Bluetooth icon indicates whether the machine is connected to Bluetooth successfully or not.

Time setting icon: The time setting icon indicates that the machine has entered the time setting mode.

Password setting icon: The lock icon lighting up indicates that you need to enter the password or change the machine's password.

Dashboard display: The dashboard display shows the different states and modes the machine is in:

- . **idle:** The machine is in standby mode and there are no tasks in execution at this time.
- . **Running light:** The machine is in working mode. At this time, the disk is rotating at high speed. Please keep away from it.
- . **----**: When the rain delay is turned on, the machine recognizes that it is raining at this moment, ends the current work and returns to the charging station.
- . **stop:** The emergency stop button was pressed on the machine.

Basic Control

Turn on: Press and hold power button for 2 s.

Turn off: Press and hold power button for 3 s.

The mower cannot be turned off when it's in the charging station. When the mower is turned off, you will see the word "bye" displayed on the dashboard and then the screen will turn off.

Start working/Turn on: Press START button and then OK.

Back to station/Turn off: Press HOME button and then OK.

Stop mower operation: Press STOP.

Restart the mower: Press and hold the power button for 10s to turn off the machine, then turn it on again or directly push the machine into the charging station and connect it to the charging electrodes on the station.

5.2 Change the PIN code

If the mower is in lock status, enter the PIN code before manually operating the mower. The default code can be changed via the Robotic Mower app.

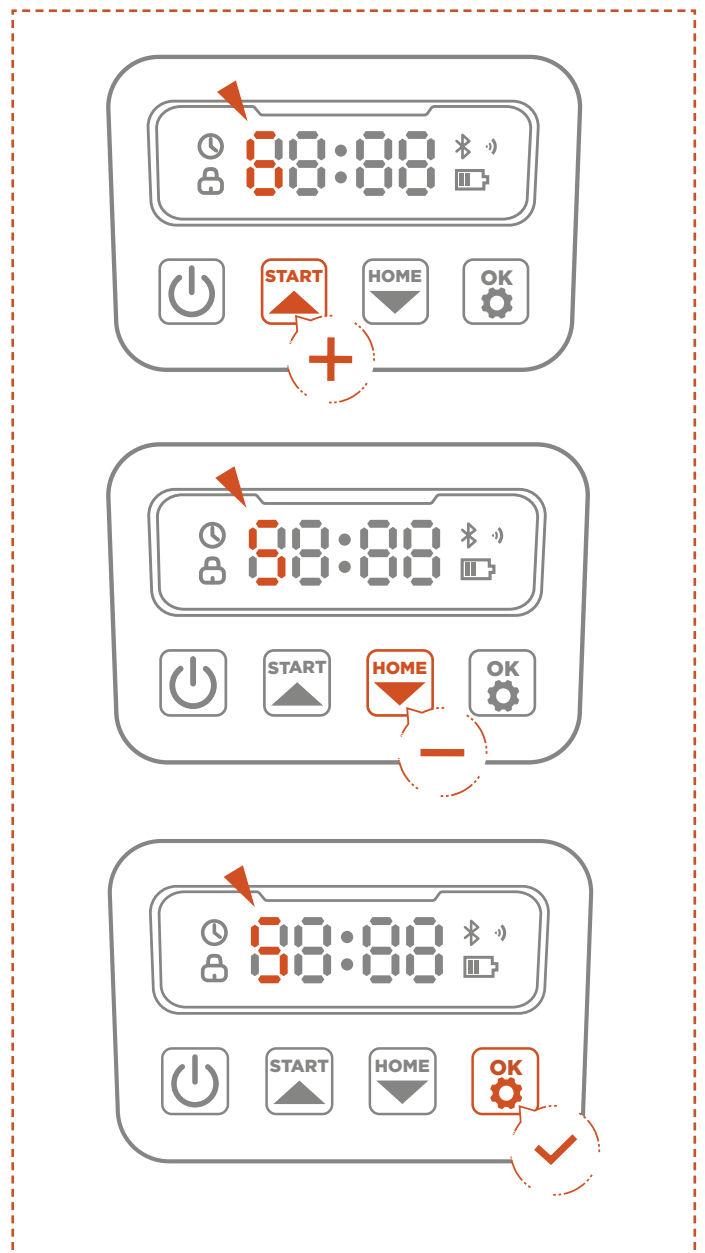
A. Long press START and HOME buttons for 3 seconds.

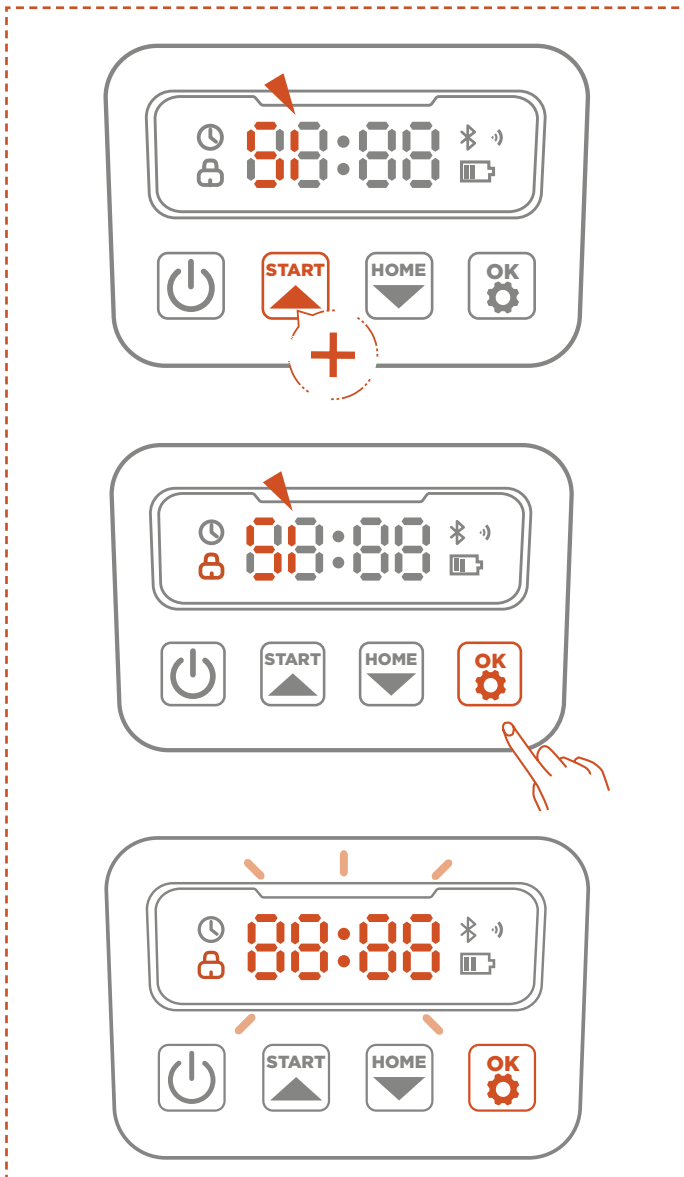
B. When PIN1 is displayed, and after "0---" appears, input the old password.

C. When PIN2 is displayed, and after "0---" appears, input the new password. Press OK to confirm.

Note

If the pin code is input wrong, the display will show "ERR".





5.3 IoT

The Platform X is an Internet of Things (IoT) device. Connect the mower to the Internet via cellular network or your Wi-Fi network, enabling the following functionalities:

A. Firmware Updates Over-The-Air (OTA), keep your mower updated to the latest features.

B. Enable remote control through the network:

start mowing, stop mowing, return to charging station, set mowing schedule, set cutting height and other functions.

C. Remotely monitor the mowing progress and mower location.

D. Report error codes and the mower status through the network.

Wi-Fi

Platform X uses Wi-Fi to connect to a network. See Wi-Fi Setting for more details.

NOTE

- Platform X only supports 2.4GHz Wi-Fi network.
- If you are using an iOS device, the mower can only connect to the Wi-Fi that your mobile device is connected to. Please follow the instructions in the app. Connect your mobile device to the Wi-Fi first, then connect the mower to the same Wi-Fi. There are no such requirements for Android devices.

Firmware updates

We will continue to update the mower's firmware. If there is a new version of the firmware, you will receive a pop-up notification in the app. It is recommended that you update as soon as the latest firmware is available.

When updating the firmware, the conditions below need to be met:

- The machine is on the charging station.
- The network is connected.
- The battery power is more than 30%.
- There is no mowing plan in an hour.

In the process of updating, the ambient light on the mower will flash blue. You can see the update progress on your app. After the update is completed, the ambient light of the mower will turn green.

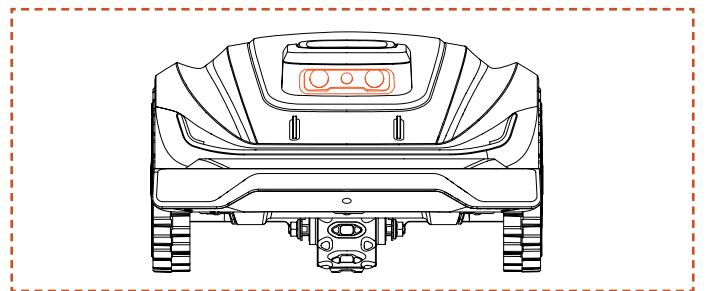
! WARNING

- DO NOT move the mower during the update process.

5.4 Obstacle Avoidance

Binocular camera

Binocular camera is part of the standard equipment of Platform X. They are designed for visual boundary detection, prior obstacle avoidance and visual recognition of QR codes during the charging process, making the mower more intelligent.



NOTE

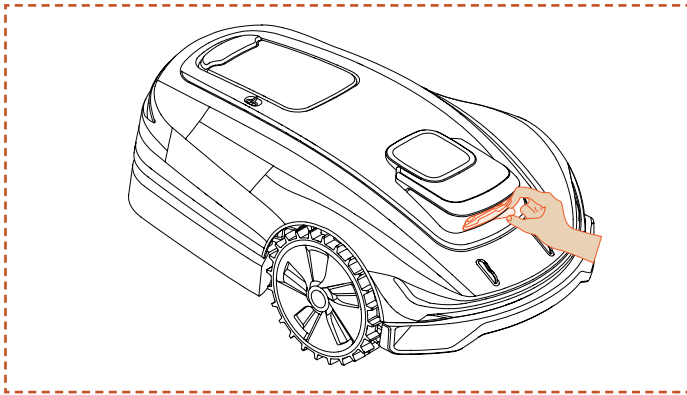
- Working in dark environments can affect the machine's ability to recognize obstacles accurately and quickly to avoid them. It is recommended that do not operate the machine at night.
- If there are too many obstacles in your lawn, consider setting up no-go zones around them or removing some of the obstacles to improve the machine's efficiency.

Artificial intelligence recognition

Sunseeker AIR (Artificial Intelligence Recognition) redefines safety and security with proprietary camera-based VSLAM and Sunseeker AIR, offering a wider Field of View (FOV) for detecting obstacles, anticipating their presence, and expertly altering the mower's path to avoid them. Obstacle avoidance features are designed to increase the performance of your mower and enhance your safety.

Bumper sensor

Sensors are installed inside the Platform X to detect obstacles. When the bumper bumps into an obstacle and triggers the sensor, the mower will go backward and avoid the obstacle.



NOTE

- Your Platform X is able to avoid objects after bumping into them. However, it is recommended to remove excess clutter before mowing.

6. Maintenance

- A.** Experience superior mowing results and extend the lifespan of your mower with Maintenance.
- B.** Regular inspection and upkeep by an adult every week are essential to ensure the optimal performance of the machine.
- C.** Safeguard your well-being by adhering to safety guidelines: refrain from performing maintenance while wearing open sandals or being barefoot.
- D.** Always prioritize safety by donning long trousers and work shoes during mower servicing.
- E.** Replace any damaged or worn parts promptly to guarantee seamless operation.

ONLY authorized service technicians are permitted to open and reseal the chassis compartment located behind the bumper. The Limited Warranty may be voided if you perform your own servicing.

NOTICE: INSURANCE

You might not be covered for accidents involving this product by your insurance policies. Please get in touch with your insurance provider or agent to find out if coverage is offered.

6.1 Cleaning

- A.** Turn off the mower.
- B.** Utilize a gentle brush or cloth to meticulously clean the exterior, avoiding any corrosive solvents such as alcohol, gasoline, or acetone. These substances have the potential to cause harm to both the aesthetics and internal components of your mower.

NOTE

- For seamless docking, it is crucial to regularly examine and cleanse the charging station from any debris or mud accumulation.
- Ensure that all connecting parts of the charging station, extension cable, and power supply remain unobstructed for optimal performance.

Chassis and blade disc

- A.** To clean the chassis and blade disc, it is recommended to use a brush or a water hose.
- B.** Do not use a high-pressure washer as it can cause damage.
- C.** Ensure that the blade disc rotates smoothly and the blades have the ability to pivot without any restrictions.



CAUTION

- High pressure water can leak into the sealings and damage electronic and mechanical parts.

Wheels

Grass on the wheels can impair the performance of the mower when climbing slopes. Use the brush to remove mud or other objects in between to ensure a good grip.

Rain sensor

A. Check the rain sensor once a month and make sure that it is not covered by mud, grass or other objects.

B. Wash mud, grass or other objects off or use a soft brush to clean it.

C. Dry the sensor area after cleaning to prevent it from being triggered as it would be by rain.

Camera

Clean the camera regularly to keep it clean.

WARNING

- Make sure that the mower is powered off before cleaning.
- When the mower is upside down, turn it off.

6.2 Replace Blades

For improved mowing performance and safety, it is recommended to change the mower's screws and blades every 1-2 months if it is used frequently. For a safe cutting system, replace all blades along with their screws at the same time. Refer to section "Specification - accessories" for parts can be used.

WARNING

- When inspecting or servicing the blade, wear thick gloves.
- DO NOT reuse the screws. Serious injury may result from doing this.
- We strongly advise using the correct screws and original blades that have been sold by us. (NO.80201457).

How to replace the blades

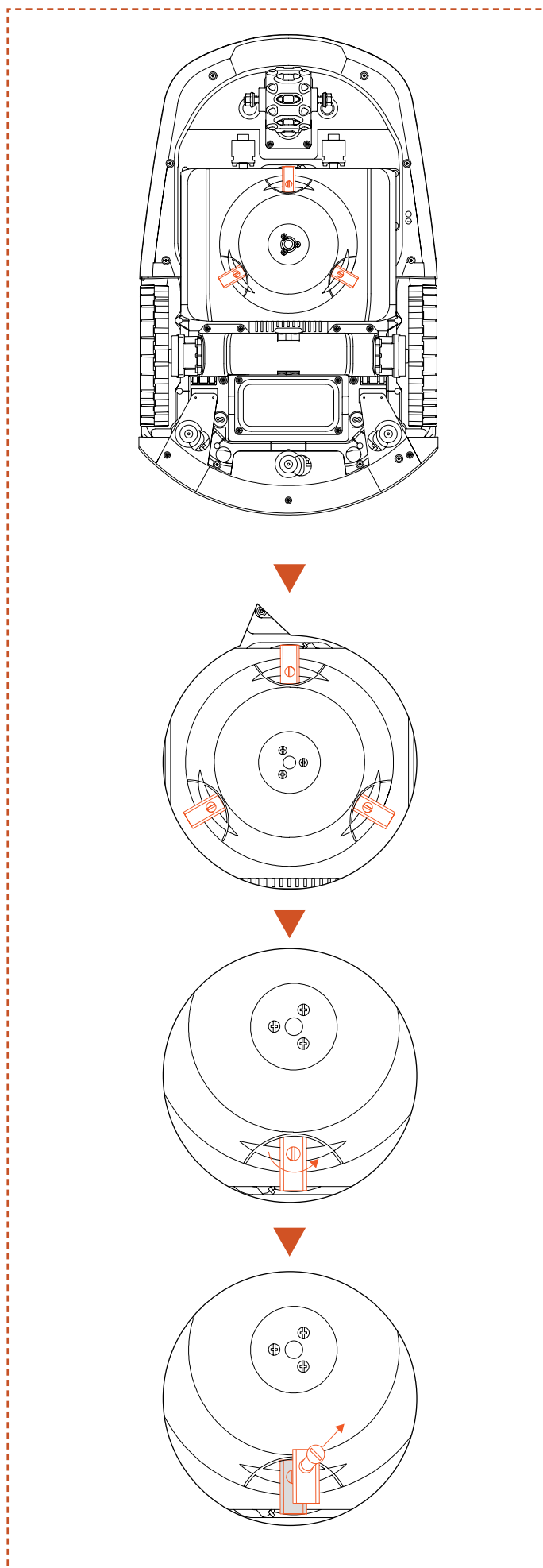
A. Turn off the mower.

B. Set the mower upside-down on a spotless, soft surface to prevent scratches.

C. Use a cross-tip screwdriver to loosen the screws.

D. Remove the screws and blades.

E. Fasten the new blades and screws (Torque: 1.0+0.2 N.m). Make sure that the blades can pivot freely.



NOTE

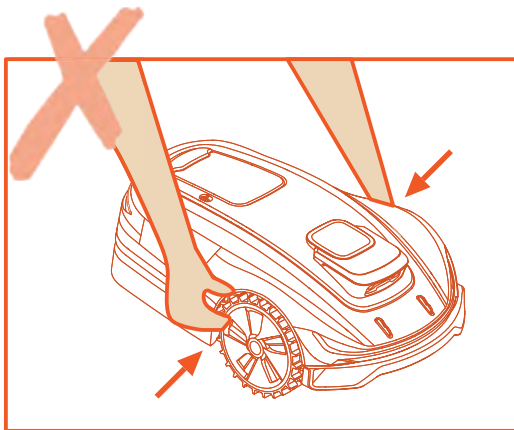
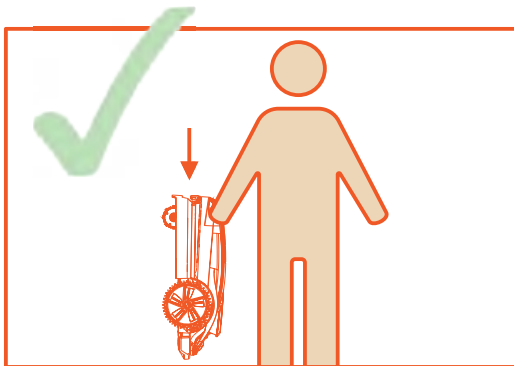
- Replace the screws with a standard torque of 1.0 ± 0.2 N.m. Incorrect torque may lead to avoidable issues.
- Ensure that the mower is turned off and check the blades for proper application. Check for abnormal noise or shaking.

6.3 Transportation

Make sure that the safety of the mower during long-distance transportation by utilizing the original packaging. Before lifting, moving, or transporting the product, make sure to power it off. Handle with care and avoid violent force, such as throwing and heavy pressure. Never pick up or carry the mower while the motor is running.

How to move or lift properly

Carry the mower by the handle. Keep the blade disc facing away from your body.



6.4 Battery

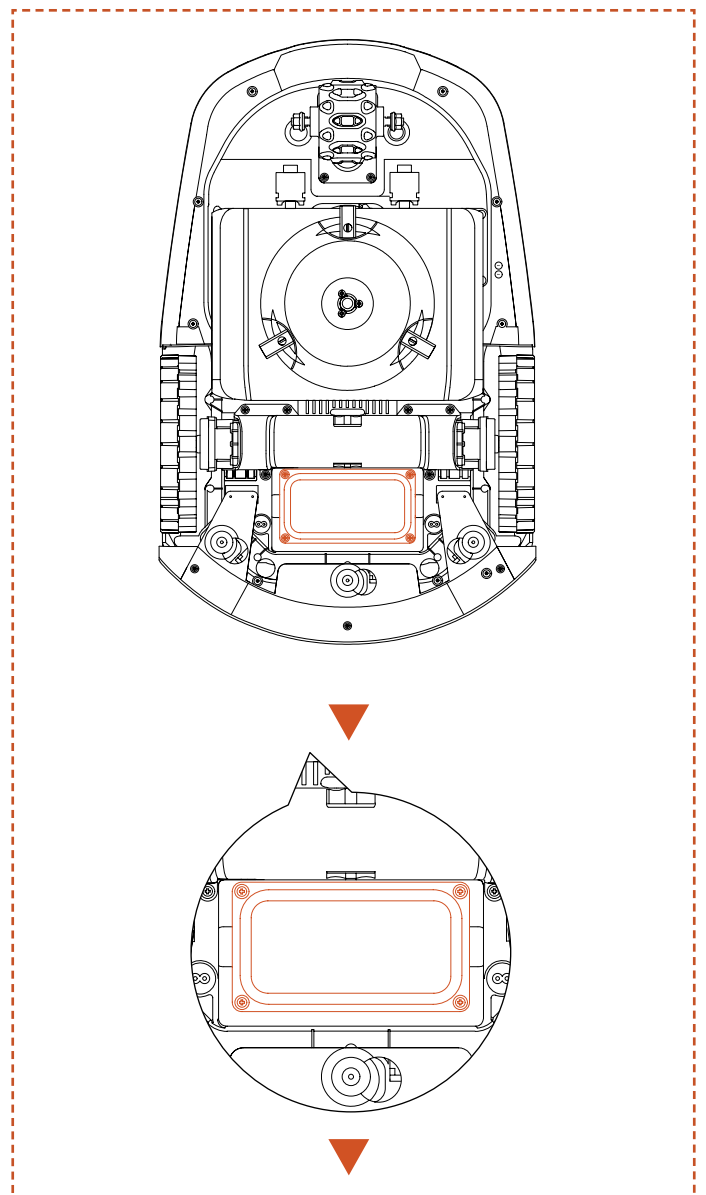
- A.** Before storing, fully charge the battery to prevent over-discharge and harm to the electrical parts.
- B.** The Limited Warranty will not protect against over-discharge battery damage.
- C.** DO NOT charge the battery pack in air temperatures below $5\text{ }^{\circ}\text{C}$ ($41\text{ }^{\circ}\text{F}$), or above $40\text{ }^{\circ}\text{C}$ ($104\text{ }^{\circ}\text{F}$).
- D.** If the battery pack is charged when the air temperature is between $18\text{ }^{\circ}\text{C}$ and $25\text{ }^{\circ}\text{C}$, it can extend its life and improve its performance.
- E.** Battery pack performs best when it is operated at normal room temperature ($20\text{ }^{\circ}\text{C} \pm 5\text{ }^{\circ}\text{C}$).

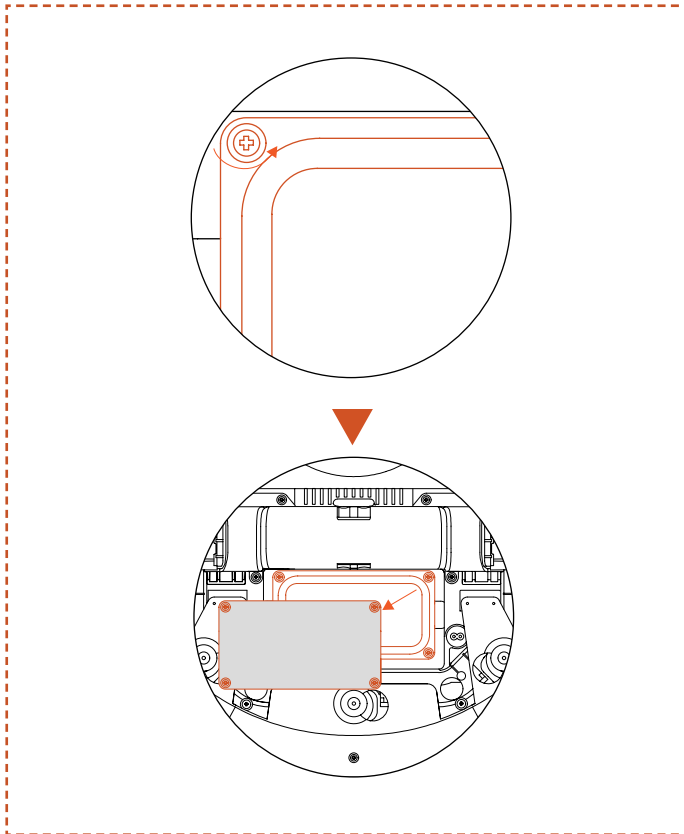
NOTE

- The battery life depends on how often the product is used and the total working hours. When the operation time is significantly shorter than usual per full charge or the lawn is not well-cut, it is recommended to replace the battery.

How to replace the battery

- A.** Turn off the mower.
- B.** Place the lawnmower upside-down on a spotless, soft surface.
- C.** Loosen the 4 screws holding the battery compartment in place with a cross-tip screwdriver.
- D.** Disconnect the plug.
- E.** Take out the battery pack and replace it with the new one.





! WARNING

- Use only the original battery pack or that of the same model as specified by SUNSEEKER. Each mower contains one battery pack.
- Depending on the specific mower model, the rated capacity of the battery is 5000 mAh or 10000 mAh.
- Do not use non-rechargeable batteries. For the purposes of recharging the battery, only use the detachable supply unit provided with this product.
- Avoid breaking or disassembling the battery casing. Avoid contacting with metal objects to prevent short circuits. Keep away from heat sources, fire, and direct sunlight.
- Please get in touch with your point-of-sale, your local or regional waste management office, or your household waste disposal service for more information about battery and electrical waste.
- It is not intended for the battery compartment to be opened frequently. If a new battery is required, only then should you open the battery compartment.
- The battery pack contains electrolytes. If the electrolyte leakage comes into contact with your skin, wash off with soap and water immediately. Get medical help in case of eye contact and immediately flush the eyes with plenty of water for at least 15 minutes without rubbing.

6.5 Power Supply

Disconnect the power supply:

- A.** Before clearing a blockage.

- B.** Before checking, cleaning or working on the machine.

- C.** After striking a foreign object to inspect the machine for damage.

- D.** Regularly examine the cord, plug, enclosure and other parts. If any damage or signs of aging are found, stop using immediately.

! WARNING

- NEVER use a damaged power supply for operation. To prevent a hazard, the damaged supply cord must be replaced by the manufacturer, its service agent, or other appropriately qualified individuals. If the extension cord is faulty, replace it with a SUNSEEKER approved 10 m cord.
- NEVER touch an extension cable or damaged cord before it has been unplugged from the power source or connect it to the power supply. A damaged cord may cause contact with electrical components.
- The power supply should not be used with any other device or battery as this increases the risk of electrical shock, fire, or personal injury. If you use anything other than original batteries, product safety cannot be guaranteed.
- DO NOT charge when the battery is leaking.
- Keep the extension cable away from moving hazardous parts to avoid damage to the cords which can lead to contact with live parts.

Recommendation

Connect the mower and/or its peripherals only to a supply circuit protected by a residual current device (RCD) with a tripping current of not more than 30 mA.

6.6 Storage

- A.** Make sure that the mower is fully charged and turned off before storing it to prevent over-discharge, which could result in permanent damage.

- B.** Store in a dry, cool place indoors. Exposure to sunlight and extreme temperatures (either hot or cold) will accelerate the aging process of components and may cause permanent damage.

- C.** Keep chemicals and heat sources (stoves, radiators, etc.) away from the mower, charging station, and power supply.

- D.** Store the power supply in an area with good ventilation and protect it from moisture.

! WARNING

- Unplug the power supply from the power socket if a thunderstorm is predicted. Disconnect all wires and cables that are attached to the charging station. Reconnect when there is no longer a possibility of a thunderstorm.

Extra requirements for winter storage

The mower:

- A. Clean the mower thoroughly before storage.
- B. Check the components subject to wear such as the blades.
- C. Repair or replace them if they are in poor condition.
- D. Store the mower in a dry and frost-free place, while standing on all wheels, preferably in the original packaging.

The charging station:

- A. Disconnect from the charging station and unplug the power supply from the power outlet.
- B. Keep the charging station out of direct sunlight and bring it inside.

6.7 Recycling and End-of-life Disposal

This product is NOT household waste. Get in touch with your municipality, point of sale, or domestic waste service for information on recycling.



WARNING

- This product should not be disposed of in a landfill, burned, or combined with regular household trash. Electrical components may cause danger or serious damage.

7. FAQ and Troubleshooting

7.1 Error message

Error Code	Meaning	Possible cause
E1	Robot out of work zone	How to solve "Robot out of work zone"?
E2	Wheel motor block	wheel motor is stuck
E3	cutter motor error	Cutter motor is stuck
E4	Robot bumper stuck	1. Too many obstacles 2. Confirm if the bumper has stayed in right place.
E5	Robot lifted	Confirm if the machine has been lifted
E6	Robot tilt	Confirm if the machine is placed on uneven ground.
E7	Angle sensor activated frequently	Confirm if the machine is placed on uneven ground.
E8	Failure to dock on the charging station during recharging	How to solve the error "Failure to dock on the charging station during recharging"?
E9	Robot trapped	1. Confirm if there are too many obstacles around the machine 2. The robot entered a narrow space and couldn't get out 3. Mower is Slipping
E10	Upgrade failed	1. Check if the WiFi signal is very weak 2. Check if the machine is charging on a charging station
E12	Battery voltage error	1. Place the machine on the charging station to see if it can be fully charged 2. Over charging current 3. Over time of charging 4. Battery voltage too high or too low
E13	Charging error	Defect charger
E14	The current map area is too large and exceeds the maximum working area supported by the robot	Build a new map within the nominal capability range of product
E15	Rear wheel motor/Steering motor fault	Rear wheel motor/Steering motor is stuck
E16	Elevation motor fault	Lift motor is stuck
E17	Can not find the charging station	How to solve the error "Failure to dock on the charging station during recharging"?
E18	Low battery	The machine may not be able to return to the charging station for normal charging due to some error. Please manually move it to the charging station for charging
E19	Connection failed	1. There are 4 QR codes at the tail of the machine, and when adding a machine, you need to select the first QR code. 2. Confirm if the Bluetooth on the phone is turned on and if it is within a range of 1 meter from the machine. 3. Have you entered the correct startup password, which defaults to 0000 4. Is the wifi 2.4GHz? 5. Is the WiFi password correct?

Error Code	Meaning	Possible cause
E21	RTK initializing fail	<ol style="list-style-type: none"> 1. Check if the base station is installed correctly and if there are any obstructions. 2. Check if the machine is obstructed 3. Check if there are any huge obstacles blocking the signal between the base station and the machine
E22	Front camera error	Confirm if the camera is obstructed
E23	Empty Map Error	Please create a map before starting
E24	RTK base signal lost	<ol style="list-style-type: none"> 1. Check if the base station is powered on. 2. Check if the base station is installed correctly How to install the RTK station 3. Check if there is any obstruction between the base station and the machine 4. Try reconnecting to the base station
E25	Mapping failed	<ol style="list-style-type: none"> 1. Confirm if the map is closed 2. Confirm if the machine is in a good wifi connection
E26	RTK calibration fail	How to solve the error "RTK calibration fail"?
EE	Dealer support needed	<ol style="list-style-type: none"> 1. Poor contact of the battery board 2. Display board defect 3. Boundary board defect 4. Multifunctional board abnormality 5. Hardware defect 6. Other errors
BP	Battery temperature error	<ol style="list-style-type: none"> 1. Confirm if the ambient temperature is too high 2. Confirm if the ambient temperature is too low
LOCK	Locked. Try again after 10mins.	<ol style="list-style-type: none"> 1. Please enter the correct password 2. If you forget your password, you can reset it to 0000 by resetting the factory settings through the app 3. If the mobile app is not connected to the machine, please contact after-sales service
STOP	Manual stop	STOP button is pressed

Instructions on how to proceed in case of abnormal vibrations:

- A.** Turn off the machine.
- B.** Turn the machine 180 degrees.
- C.** Check the condition of the blades for damage or malfunction.
- D.** It is recommended to replace all three blades.
- E.** Turn the machine back over to start working.

7.2 Trouble shooting

If you encounter any product or app-related problems, common issues and questions, check out the FAQ articles on the Sunseeker official website (<https://support.sunseeker-elite.com>) or from the "Help and feedback" section from the App.

8. Important Information

8.1 Data Privacy

Processing of personal data within Platform X

• Who and why?

When you register for and use Sunseeker's Platform X, Sunseeker (or "we"), as the controller, will process your personal data. We will process your personal data in order to:

1. Provide you with Platform X connection or to make you an offer for such service. The legal basis is that the processing is necessary for the performance of the contract that you have entered into with us, or to take steps prior to entering into a contract with us.
2. Further develop and improve our products and services. The legal basis is our legitimate interest in developing and improving our products and services.
3. Enable connectivity of Platform X (Internet of Things); use partner integrations (for example smart assistants, including voice enabled devices); use connectivity platforms to connect Platform X to third party devices, apps, and services; and build your own smart home integration. The legal basis is that the processing is necessary for the performance of the contract that you have entered into with us.
4. Provide you with relevant information relating to your Platform X experience. The legal basis is our legitimate interest to keep you informed of your specific products and services and its features.
5. Provide you with support and troubleshooting regarding Platform X. The legal basis is that the processing is necessary for the performance of the contract that you have entered into with us.

If you have given us your consent (in which case the legal basis is your consent), we may also process your personal data for the following purposes:

1. Send you customized advertisements and newsletters about our products and services.
2. Send you customer surveys and analyze the input you provide as further detailed in such communication.

Your data will be processed for as long as it is required by Sunseeker to fulfil the above-mentioned purposes, but under no circumstances for longer than the applicable laws allow.

• What personal data do we process?

We may process the following personal data:

1. Personal details: first and last name, nationality, language preferences;
2. Contact details: email address, postal address;
3. Account information: account age, password, account number;
4. Other data related to your Platform X: mower name, pairing names, actions triggered through the use of partner integrations, and device information.

• Use of location data

Some of our services only work if we can determine the location of your mower (e.g. weather display). When you share your mower location with us, the data is stored as part of your profile and may be sent to third parties in pseudonymized form for the purposes of providing the relevant service (e.g. to park the mower in case of heavy rain).

8.2 Limited Warranty

Limited warranty

We offer a 2-year warranty. Before initiating a warranty claim, we strongly ask you to check the FAQ and Troubleshooting section of the user manual first. Our dedicated customer support is also here to help. To initiate guarantee claims, provide a proof of purchase, including a valid receipt displaying the date and place of purchase.

Our warranty does not cover:

Parts that are subject to normal wear and tear such as ground stakes, cutting discs and battery.

8.3 Disclaimers

We provide customers with after-sale services, excluding the following circumstances:

1. Crashes damage caused by non-manufacturing factors, including but not limited to, user errors.
2. Damage caused by unauthorized modification, disassembly, or shell opening not in accordance with official instructions or manuals.
3. Damage caused by improper installation, incorrect use, or operation not in accordance with official instructions or manuals.
4. Damage caused by a non-authorized service provider.
5. Damage caused by unauthorized modification of circuits and/or mismatch or misuse of the battery and charger.
6. Damage caused by users who do not follow instructions and manual recommendations.
7. Damage caused by operation in bad lawn conditions (i.e. large areas of puddles when restricted areas are not properly set, locations with abundance of stones covering lawn surface, etc.)
8. Damage caused by operating the product in environments with electromagnetic interference, including mining areas or proximity to radio transmission towers, high-voltage wires, substations, etc.
9. Damage caused by operating the product in environments suffering from interference from other wireless devices, such as transmitters, video-downlinks, Wi-Fi signals, etc.
10. Damage caused by reliability or compatibility issues when using unauthorized third-party parts.
11. Damage caused by operating the unit with a low-charged or defective battery.

12. Damage caused by unpredictable factors such as car collisions, wild animal attacks, floods, etc.

This content is subject to change without prior notice.

FCC Statement

This device complies with part 15 of the FCC rules. Operation is subject to the following two conditions: (1) this device may not cause harmful interference, and (2) this device must accept any interference received, including interference that may cause undesired operation. Changes or modifications not expressly approved by the party responsible for compliance could void the user's authority to operate the equipment.

NOTE

This equipment has been tested and found to comply with the limits for a Class B digital device, pursuant to part 15 of the FCC Rules. These limits are designed to provide reasonable protection against harmful interference in a residential installation. This equipment generates uses and can radiate radio frequency energy and, if not installed and used in accordance with the instructions, may cause harmful interference to radio communications. However, there is no guarantee that interference will not occur in a particular installation. If this equipment does cause harmful interference to radio or television reception, which can be determined by turning the equipment off and on, the user is encouraged to try to correct the interference by one or more of the following measures:

- Reorient or relocate the receiving antenna.
- Increase the separation between the equipment and receiver.
- Connect the equipment into an outlet on a circuit different from that to which the receiver is connected.
- Consult the dealer or an experienced radio/TV technician for help.
- To satisfy FCC RF exposure requirements, a separation distance of 20 cm or more should be maintained between the antenna of this device and persons during device operation. To ensure compliance, operations at closer than this distance is not recommended.

WARNING for button cell or coin battery:

- a) Remove and immediately recycle or dispose of used batteries according to local regulations and keep away from children.
- b) Do NOT dispose of batteries in household trash or incinerate.
- c) Even used batteries may cause severe injury or death.
- d) Call a local poison control center for treatment information.
- e) Battery type: CR2032.
- f) Nominal voltage: 3.0 Vdc.
- g) Non-rechargeable batteries are not to be recharged.

h) Do not force discharge, recharge, disassemble, heat above (manufacturer's specified temperature rating) or incinerate. Doing so may result in injury due to venting, leakage or explosion resulting in chemical burns.

i) The product contains non-replaceable button cell.



EC Declaration of conformity

We.

Zhejiang Sunseeker Industrial Co., Ltd.

988 Jinde Rd. Jiangdong Industrial Park, Jinhua, Zhejiang 321000 P.R. CHINA

Declares and assumes liability that the product:

Brand Name: SUNSEEKER

Product name: Robotic Lawn Mower

Model: RMX1600L20V, RMX2000L20V, RMX2500L20V, RMX1602N20V, RMX2002N20V, RMX2502N20V

The object of the declaration described above is in conformity with the following EU Directives:

1. Radio Equipment Directive (2014/53/EU)

2. Machinery Directive (2006/42/EC)

3. RoHS Directive (2011/65/EU) and amending directive ((EU)2015/863)

4. Noise Directive (Annex III of 2000/14/EC as amended by 2005/88/EC)

- Sound Pressure Level LpA: 52 dB (A), Sound Pressure Uncertainties KpA: 3dB (A)

- Declared Guaranteed Sound Power Level: 60 dB (A), Sound Power Uncertainties KWA: 3dB (A)

Conformity with these Directives has been assessed for this product by demonstrating compliance to the following harmonized standards and/ or technical specifications:

EN 50636-2-107: 2015+A1:2018+A2: 2020+A3: 2021

EN 60335-1:2012+A11:2014+A13:2017+ A1:2019 + A2:2019+ A14:2019+A15:2021

EN IEC 55014-1:2021

EN IEC 55014-2:2021

EN IEC 61000-3-2:2019+A1:2021

EN 61000-3-3:2013+A1:2019+A2:2021

EN 301 489-1 V2.2.3

EN 301 489-3 V2.3.2

EN 301 489-17 V3.2.4

EN 301 489-19 V2.2.1

EN 301 489-52 V1.2.1

EN 301 511 V12.5.1

EN 301 908-1 V15.2.1

EN 301 908-13 V13.2.1

EN 303 413 V1.2.1

EN 300 220-2 V3.1.1

EN 300 328 V2.2.2

EN 62311:2008

EN IEC 62311:2020

EN 62321-1:2013

EN IEC 62321-2:2021

EN 62321-3-1:2014

EN 62321-8:2017

EN 62321-4:2014 /A1:2017

EN 62321-5:2014

EN 62321-7-1:2015

EN 62321-7-2:2017

EN 62321-6:2015

EN 62321-8:2017

EN ISO 11094:1991

EN ISO 3744:1995

EN ISO 3744:2010

RF Exposure Information

This device has been tested and meets applicable limits for Radio Frequency (RF) exposure.

This equipment must be installed and operated in accordance with provided instructions and the antenna(s) used for this transmitter must be installed to provide a separation distance of at least 20 cm from all persons and must not be co-located or operating in conjunction with any other antenna or transmitter.

Signed for and on behalf of: Zhejiang Sunseeker Industrial Co., Ltd.

Place: Jinhua, Zhejiang P.R. CHINA

Date: 09-07-2024

Name: Harry Ran

Title: Chief Engineer

Signature: 

Inhalts Verzeichnis

1. Sicherheit und Vorschriften.....	28
1.1 Allgemein	28
1.2 Allgemeine Sicherheitsanweisungen	28
1.3 Sicherheitsanweisungen für die Installation.....	29
1.4 Sicherheitsanweisungen für den täglichen Betrieb	30
1.5 Sicherheitsanweisungen für die Wartung.....	30
1.6 Batteriesicherheit.....	30
2. Symbole und Aufkleber	30
3. Inhalt und Spezifikationen	31
3.1 Packungsinhalt.....	31
3.2 Teile und Funktionen.....	32
4. Installation	34
4.1 Vorbereitungen.....	35
4.2 Installieren der Ladestation.....	35
4.3 Installieren der RTK-Basisstation	35
4.4 Laden und Aktivieren des Rasenmähers.....	36
4.5 App-Verbindung.....	37
5. Täglicher Betrieb	38
5.1 Anzeige und Steuerung am Rasenmäher.....	38
5.2 Ändern des PIN-Codes.....	38
5.3 IoT	39
5.4 Hindernisvermeidung	39
6. Wartung.....	40
6.1 Reinigung.....	40
6.2 Klingen austauschen.....	41
6.3 Transport.....	42
6.4 Batterie.....	42
6.5 Stromversorgung	43
6.6 Lagerung.....	43
6.7 Recycling und Entsorgung am Lebensende	44
7. FAQ und Fehlerbehebung.....	45
7.1 Fehlermeldungen.....	45
7.2 Problembehebung.....	46
8. Wichtige Informationen.....	47
8.1 Datenschutz.....	47
8.2 Eingeschränkte Garantie	47
8.3 Haftungsausschlüsse.....	47

1. Sicherheit und Vorschriften

1.1 Allgemein

WICHTIG
VOR GEBRAUCH SORGFÄLTIG LESEN
ZUM SPÄTEREN GEBRAUCH AUFBEWAHREN

Bestimmungsgemäße Verwendung

Dieses Gartenprodukt ist nur zum Rasenmähen bestimmt und schneidet automatisch zu jeder Tageszeit den Gartenrasen. Jegliche Nutzung außerhalb des vorgesehenen Zwecks kann Gefahren mit sich bringen, die potenziell Menschen schaden oder Eigentum beschädigen können. Es ist zwingend erforderlich, sich strikt an die angegebenen Richtlinien zu halten, um Sicherheit zu gewährleisten und Unfälle zu vermeiden.

Nicht Bestimmungsgemäße Verwendung

Dieses Gartenprodukt ist nicht zur Verwendung durch Kinder oder Personen mit eingeschränkten physischen, sensorischen oder geistigen Fähigkeiten oder Mangel an Erfahrung und Wissen bestimmt, es sei denn, sie wurden von einer für ihre Sicherheit verantwortlichen Person über die Verwendung des Produkts beaufsichtigt oder angewiesen.

Unsachgemäße Nutzung umfasst unter anderem das Transportieren von Personen, Kindern oder Tieren auf der Maschine; das Transportiertwerden von der Maschine; das Verwenden der Maschine zum Ziehen oder Schieben von Lasten; und den Einsatz der Maschine zum Schneiden von nicht grasartigen Pflanzen.

Restrisiken - Tragen Sie Schutzhandschuhe und eine Schutzbrille, wenn Sie Wartungsarbeiten durchführen oder die Klingen austauschen, um Verletzungen zu vermeiden.

Verlängern Sie das Kabel zwischen Netzteil und Ladestation nicht.



WARNUNG

- Berühren Sie keine gefährlichen beweglichen Teile, bevor sie nicht vollständig zum Stillstand gekommen sind.
- Halten Sie das Netzkabel, das Netzteil, das Verlängerungskabel und alle anderen elektrischen Kabel, die nicht zum Produkt gehören, außerhalb des Schneidbereichs, um ihren Abstand zu gefährlichen beweglichen Teilen zu wahren und Schäden an Kabeln zu vermeiden, die mit stromführenden Teilen in Berührung kommen könnten. Es besteht Verletzungsgefahr oder Todesgefahr für den Bediener oder Umstehende, wenn die Anweisungen in der Anleitung nicht befolgt werden.
- Automatischer Rasenmäher! Halten Sie sich von der Maschine fern! Kinder müssen beaufsichtigt werden!
- Bewahren Sie alle Warnungen und Anweisungen für den zukünftigen Gebrauch auf.
- Lesen Sie alle Sicherheitswarnungen, Anweisungen, Abbildungen und Spezifikationen, die mit diesem Produkt bereitgestellt werden. Die Nichtbeachtung aller unten aufgeführten Anweisungen kann einen elektrischen Schlag, ein Feuer und/oder schwere Verletzungen verursachen.

1.2 Allgemeine Sicherheitsanweisungen

Sicherheit im Arbeitsbereich

A. Maschinen dürfen nicht in explosionsgefährdeten Bereichen betrieben werden, z. B. in Gegenwart von brennbaren Flüssigkeiten, Gasen oder Staub. Maschinen erzeugen Funken, die Staub oder Dämpfe entzünden können.

B. Lesen Sie die Anweisungen sorgfältig durch. Machen Sie sich mit den Bedienelementen und dem ordnungsgemäßen Gebrauch der Maschine vertraut.

C. Erlauben Sie niemals Personen, die mit dieser Anleitung nicht vertraut sind, oder Kindern, das Gerät zu benutzen. Lokale Vorschriften können das Alter des Bedieners einschränken.

D. Der Bediener oder Benutzer ist für Unfälle oder Gefahren verantwortlich, die anderen Personen oder deren Eigentum zustoßen.

Elektrische Sicherheit

A. Netzstecker müssen zur Steckdose passen. Ändern Sie den Stecker niemals in irgendeiner Weise. Verwenden Sie keine Ladegeräte mit geerdeten (erdungsarteten) Geräten. Unveränderte Stecker und passende Steckdosen verringern das Risiko eines elektrischen Schlags.

B. Vermeiden Sie Körperkontakt mit geerdeten Oberflächen, wie Rohren, Heizkörpern, Herden und Kühlschränken. Es besteht ein erhöhtes Risiko eines elektrischen Schlags, wenn Ihr Körper geerdet oder geerdet ist.

C. Missbrauchen Sie keine Netzkabel. Verwenden Sie das Netzkabel niemals zum Tragen, Ziehen oder Ausstecken eines Geräts. Halten Sie Netzkabel von Hitze, Öl, scharfen Kanten oder beweglichen Teilen fern. Beschädigte oder verhedderte Netzkabel erhöhen das Risiko eines elektrischen Schlags.

D. Wenn es unvermeidlich ist, ein netzbetriebenes Gerät in einer feuchten Umgebung zu betreiben, verwenden Sie eine durch einen Fehlerstromschutzschalter (RCD) geschützte Stromversorgung. Die Verwendung eines FI-Schutzschalters verringert das Risiko eines elektrischen Schlags.

E. Stellen Sie sicher, dass das automatische Abgrenzungssystem korrekt installiert ist, wie in den Anweisungen beschrieben.

F. Kontrollieren Sie regelmäßig den Bereich, in dem die Maschine eingesetzt werden soll, und entfernen Sie alle Steine, Stöcke, Drähte, Knochen und andere Hindernisse.

G. Prüfen Sie die Klingen, Klingenbolzen und die Schneideinheit regelmäßig auf Verschleiß oder Beschädigung.

H. Bei mehrspindligen Maschinen ist Vorsicht geboten, da die Drehung eines Messers die Drehung anderer Messer verursachen kann.

Persönliche Sicherheit

A. Erlauben Sie Personen, die mit der Maschine oder dieser Anleitung nicht vertraut sind, nicht, die Maschine zu bedienen. Maschinen sind in den Händen von ungeschulten Benutzern gefährlich.

B. Bleiben Sie wachsam, beobachten Sie, was Sie tun, und benutzen Sie Ihren gesunden Menschenverstand, wenn Sie die Maschine bedienen. Verwenden Sie die Maschine nicht, wenn Sie müde sind oder unter dem Einfluss von Drogen, Alkohol oder Medikamenten stehen. Ein Moment der Unaufmerksamkeit beim Bedienen der Maschine kann zu schweren Verletzungen führen.

C. Entfernen Sie alle Einstellschlüssel oder Werkzeuge, bevor Sie die Maschine in Betrieb nehmen. Ein an einem rotierenden Teil der Maschine befestigter Schlüssel oder Werkzeug kann zu Verletzungen führen.

D. Achten Sie bei der manuellen Steuerung der Maschine stets auf einen festen Stand und ein gutes Gleichgewicht. Dies ermöglicht eine bessere Kontrolle über die Maschine in unerwarteten Situationen.

E. Lassen Sie nicht zu, dass die Vertrautheit, die Sie durch den häufigen Gebrauch von Maschinen erlangt haben, dazu führt, dass Sie selbstgefällig werden und die Sicherheitsprinzipien der Maschine ignorieren. Eine unachtsame Handlung kann schwere Verletzungen innerhalb eines Bruchteils einer Sekunde verursachen.

Gebrauch und Pflege der Maschine

A. Ziehen Sie den Stecker aus der Stromquelle und/oder entfernen Sie den Akku (falls abnehmbar) aus der Maschine oder anderen Geräten, bevor Sie Einstellungen vornehmen, Zubehörteile wechseln oder die Maschine lagern. Solche präventiven Sicherheitsmaßnahmen verringern das Risiko eines unbeabsichtigten Starts.

B. Maschinen und Zubehör instand halten. Überprüfen Sie auf mögliche Fehlstellungen oder Klemmungen der beweglichen Teile, Brüche von Teilen und jede andere Bedingung, die den Betrieb der Maschine beeinflussen könnte. Wenn beschädigt, lassen Sie die Maschine vor dem Gebrauch reparieren. Viele Unfälle werden durch schlecht gepflegte Maschinen und Zubehör verursacht.

C. Benutzen Sie die Maschine und das Zubehör in Übereinstimmung mit dieser Anleitung und unter Berücksichtigung der Arbeitsbedingungen und der auszuführenden Arbeiten. Die Verwendung der Maschine für andere als die vorgesehenen Operationen kann zu einer gefährlichen Situation führen.

D. Betreiben Sie die Maschine niemals mit defekten Schutzvorrichtungen oder ohne Sicherheitseinrichtungen.

E. Hände und Füße nicht in die Nähe oder unter rotierende Teile bringen. Halten Sie sich von der Auswurföffnung jederzeit fern.

F. Niemals eine Maschine bei laufendem Motor anheben oder tragen.

G. Geräteverriegelung aktivieren/auf "LOCK" stellen, um die Maschine
- vor dem Beseitigen einer Blockierung;
- bevor Sie die Maschine überprüfen, reinigen oder daran arbeiten.

H. Lassen Sie das Gerät nicht unbeaufsichtigt laufen, wenn Sie wissen, dass sich Haustiere, Kinder oder Menschen in der Nähe befinden.

Service

A. Lassen Sie Ihr Gerät von einem qualifizierten Reparateur warten, der nur identische Ersatzteile verwendet. Dies stellt sicher, dass die Sicherheit der Maschine erhalten bleibt.

B. Halten Sie alle Muttern, Bolzen und Schrauben fest, damit die Maschine in einem sicheren Betriebszustand ist.

C. Kontrollieren Sie die Grasfangeinrichtung regelmäßig auf Verschleiß oder Beschädigung.

D. Ersetzen Sie verschlissene oder beschädigte Teile aus Sicherheitsgründen.

E. Sicherstellen, dass die richtigen Messer ausgetauscht werden.

F. Sicherstellen, dass die Batterien mit dem richtigen, vom Hersteller empfohlenen Ladegerät geladen werden. Falsche Verwendung kann zu elektrischem Schlag, Überhitzung oder Auslaufen von ätzender Flüssigkeit aus der Batterie führen.

G. Im Falle des Auslaufens von Elektrolyt mit Wasser/ Neutralisierungsmittel spülen, bei Kontakt mit den Augen usw. ärztliche Hilfe in Anspruch nehmen.

H. Die Wartung der Maschine sollte gemäß den Anweisungen des Herstellers erfolgen.

VERWENDUNG UND PFLEGE VON BATTERIEWERKZEUGEN

A. Nur mit dem vom Hersteller angegebenen Ladegerät aufladen. Ein Ladegerät, das für einen Akkupack geeignet ist, kann bei Verwendung mit einem anderen Akkupack ein Brandrisiko darstellen.

B. Verwenden Sie nur Elektrowerkzeuge mit speziell dafür vorgesehenen BATTERIE-Packs. Die Nutzung anderer Akkupacks kann ein Risiko für Verletzungen und Brände darstellen.

C. Wenn das BATTERIE-PAKET nicht in Gebrauch ist, halten Sie es von anderen Metallgegenständen wie Büroklammern, Münzen, Schlüsseln, Nägeln, Schrauben oder anderen kleinen Metallgegenständen fern, die eine Verbindung von einem Anschluss zum anderen herstellen können. Kurzschluss der Akkuklemmen kann Verbrennungen oder einen Brand verursachen.

D. Unter missbräuchlichen Bedingungen kann Flüssigkeit aus der BATTERIE austreten; vermeiden Sie den Kontakt. Wenn Kontakt versehentlich auftritt, spülen Sie mit Wasser. Wenn die Flüssigkeit in die Augen gelangt, suchen Sie zusätzlich medizinische Hilfe auf. Flüssigkeit, die aus dem Akku austritt, kann Reizungen oder Verbrennungen verursachen.

E. Verwenden Sie keine beschädigten oder modifizierten BATTERIEN oder Werkzeuge. Beschädigte oder modifizierte Akkus können unvorhersehbares Verhalten zeigen, was zu Bränden, EXPLOSIONEN oder Verletzungsrisiken führen kann.

F. Setzen Sie ein BATTERIE-PAKET oder ein Werkzeug nicht Feuer oder übermäßigen Temperaturen aus. Eine Exposition gegenüber Feuer oder Temperaturen über 130 °C kann eine Explosion verursachen.

G. Befolgen Sie alle Ladeanweisungen und laden Sie den BATTERIE-Pack oder das Werkzeug nicht außerhalb des in den Anweisungen angegebenen Temperaturbereichs. Falsches Laden oder Laden außerhalb des angegebenen Bereichs kann den Akku beschädigen und das Risiko eines Brandes erhöhen.

1.3 Sicherheitsanweisungen für die Installation

A. Installieren Sie die Ladestation, einschließlich des Zubehörs, nicht an einem Ort, der sich unter oder innerhalb eines Abstands von 24 Zoll zu brennbarem Material befindet. Im Falle eines Fehlers kann es zu einer Erwärmung der Ladestation und des Netzteils kommen, die ein potenzielles Brandrisiko darstellen können.

B. Bringen Sie das Netzteil nicht in einer Höhe an, in der die Gefahr besteht, dass es ins Wasser fällt. Stellen Sie das Netzteil nicht auf den Boden.

C. Die Stromversorgung darf nicht gekapselt werden. Kondenswasser kann das Netzteil beschädigen und das Risiko eines elektrischen Schlags erhöhen.

D. Gilt für USA/Kanada. Wenn das Netzteil im Freien installiert wird: Stromschlaggefahr. Installieren Sie nur an eine abgedeckte Klasse-A-GFCI-Steckdose (FI-Schutzschalter) mit wetterfestem Gehäuse und Zugang, um den Anschlusssteckerdeckel zu setzen oder zu entfernen.

E. Installieren Sie die Ladestation nicht an Orten, an denen die Gefahr von stehendem Wasser besteht.

1.4 Sicherheitsanweisungen für den täglichen Betrieb

A. Halten Sie Ihre Hände und Füße von den rotierenden Klingen fern. Legen Sie Ihre Hände oder Füße nicht in die Nähe oder unter das Produkt, wenn es eingeschaltet ist.

B. Verwenden Sie den Parkmodus oder schalten Sie das Gerät aus, wenn sich Personen, insbesondere Kinder oder Tiere, im Arbeitsbereich aufhalten.

C. Achten Sie darauf, dass sich keine Gegenstände wie Steine, Äste, Werkzeuge oder Spielzeug auf dem Rasen befinden. Die Klingen können beschädigt werden, wenn sie auf ein Objekt treffen.

D. Heben Sie das Produkt nicht an und bewegen Sie es nicht, wenn es auf EIN gestellt ist.

E. Lassen Sie das Gerät nicht mit Personen oder Tieren zusammenstoßen. Wenn eine Person oder ein Tier in den Weg des Produkts kommt, stoppen Sie das Produkt sofort.

F. Stellen Sie keine Gegenstände auf das Gerät oder die Ladestation.

G. Verwenden Sie das Produkt nicht, wenn die STOP-Taste nicht funktioniert.

H. Schalten Sie das Gerät immer auf AUS, wenn es nicht in Betrieb ist.

I. Verwenden Sie das Produkt und einen Versenkregner nicht gleichzeitig. Verwenden Sie die Zeitplanfunktion gleichzeitig.

J. Lassen Sie das Produkt nicht in Betrieb, wenn sich im Arbeitsbereich stehendes Wasser befindet, wie z. B. in einem Bereich mit Wasserlachen, die durch starken Regen entstanden sind.

1.5 Sicherheitsanweisungen für die Wartung

A. Schalten Sie das Gerät auf AUS, wenn Sie Wartungsarbeiten am Gerät durchführen.

B. Reinigen Sie das Gerät nicht mit einem Hochdruckreiniger. Verwenden Sie keine Lösungsmittel, um das Produkt zu reinigen.

C. Ziehen Sie den Stecker von der Ladestation ab, bevor Sie die Ladestation reinigen oder Wartungsarbeiten daran durchführen.

1.6 Batteriesicherheit

Lithium-Ionen-Akkus können explodieren oder Feuer verursachen, wenn sie zerlegt, kurzgeschlossen oder Wasser, Feuer oder hohen Temperaturen ausgesetzt werden. Gehen Sie vorsichtig vor und zerlegen oder öffnen Sie die Batterie nicht und wenden Sie keine elektrische/mechanische Gewalt an. Vermeiden Sie die Lagerung im direkten Sonnenlicht.

2. Symbole und Aufkleber






Diese Symbole können auf dem Produkt gefunden werden. Bitte lesen Sie sie sorgfältig.

	WARNUNG: Lesen Sie die Benutzeranweisungen, bevor Sie das Produkt in Betrieb nehmen.
	WARNUNG: Deaktivieren Sie das Produkt, bevor Sie an der Maschine arbeiten oder sie anheben. Berühren Sie niemals die rotierende Klinge.
	WARNUNG: Halten Sie beim Betrieb einen sicheren Abstand zur Maschine. Halten Sie andere Personen vom Gefahrenbereich fern.
	WARNUNG: Nicht auf der Maschine fahren.
	Verwenden Sie ein abnehmbares Netzteil, wie auf dem Typenschild neben dem Symbol definiert.
	CE-Konformitätskennzeichen.
	Schalleistungspegel, ermittelt gemäß der europäischen Außenlärmrichtlinie. Die Emissionen des Produkts sind in den Technischen Daten auf Seite 6 und auf dem Typenschild angegeben.
	Entsorgen Sie dieses Produkt nicht als normalen Haushaltsabfall. Stellen Sie sicher, dass das Produkt gemäß den örtlichen gesetzlichen Anforderungen recycelt wird.
	Klasse III
	DC






Symbole auf dem Batteriepackt

	Lesen Sie die Bedienungsanleitung.
	Werfen Sie die Batterie nicht ins Feuer und setzen Sie die Batterie keiner Wärmequelle aus.
	Tauchen Sie die Batterie nicht ins Wasser.
	Recyclingzeichen.
	Es ist nicht gestattet, diesen Batteriepackt als normalen Haushaltsabfall zu entsorgen. Stellen Sie sicher, dass das Batteriepackt gemäß den örtlichen gesetzlichen Anforderungen recycelt wird.

Symbole auf dem Ladegerät

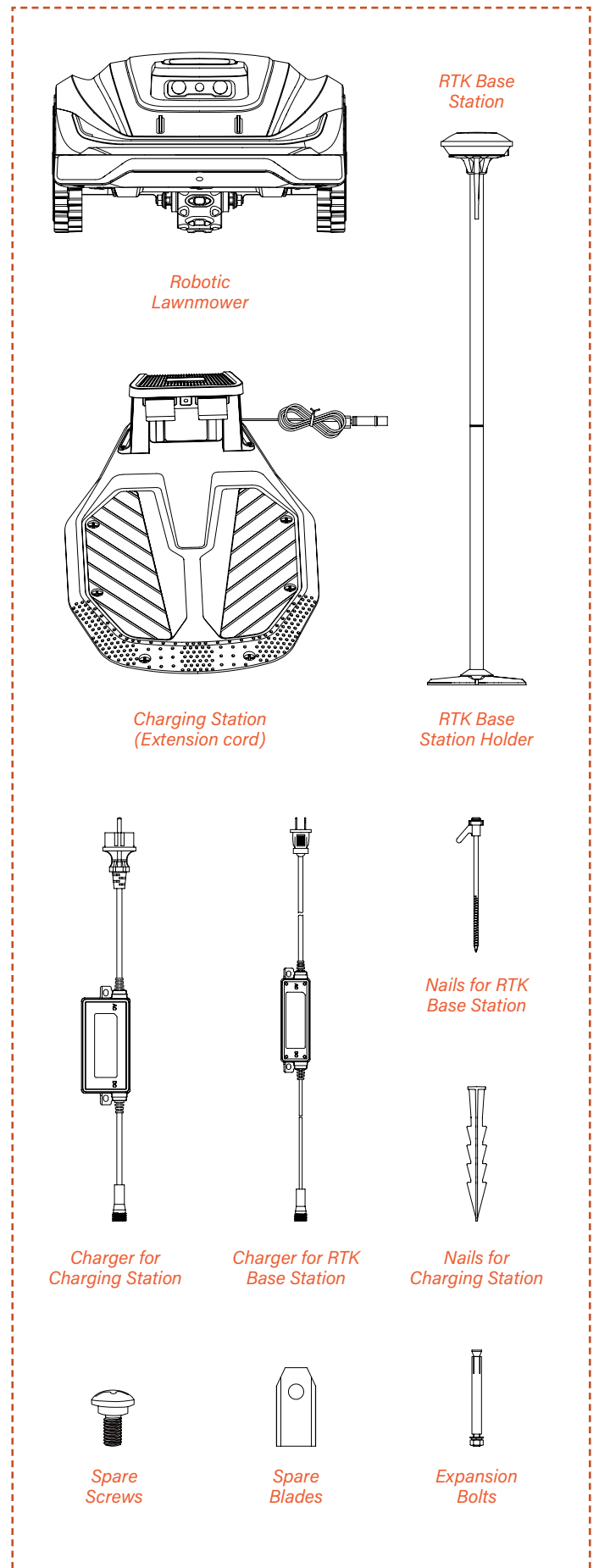
	Lesen Sie die Bedienungsanleitung.
T3.15A 	Ersetzen Sie die Sicherung gemäß der Nennleistung.
T2A 	Ersetzen Sie die Sicherung gemäß der Nennleistung.
	Konstruktion der Klasse II.
	Nicht als unsortierter Abfall entsorgen, sondern an speziellen Sammelstellen für Rückgewinnung und Recycling gemäß den örtlichen gesetzlichen Vorschriften abgeben.

Symbole auf dem Robotbildschirm

	Ein-/Ausschalten
	Starttaste
	Home-Taste
	OK-Taste
	PIN-Code-Einstellung
	Zeiteinstellung
	Bluetooth
	WLAN

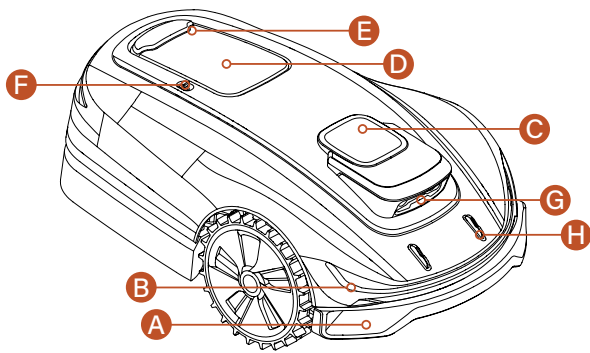
3. Inhalt und Spezifikationen

3.1 Packungsinhalt

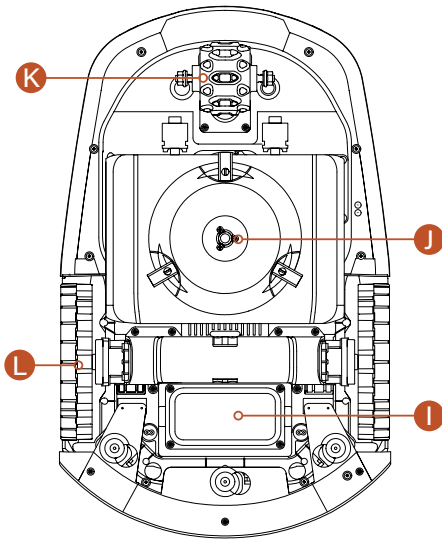


3.2 Teile und Funktionen

Draufsicht



Unteransicht



I - Batteriefach - Das Fach zur Aufbewahrung des Akkus.

J - Drehbare Schneidplatte - Gerät zum Rasenmähen, wenn die Maschine in Betrieb ist.

K - Radnabenmotor - Ein ausgezeichnetes Steuergerät für die Lenkung und Stromversorgung für den Betrieb.

L - Antriebsräder - Stromausgang für die Bewegung mit hervorragenden Geländegängigkeit.

HINWEIS

Tauchen Sie die Maschine nicht in Wasser ein, da dies die Komponenten beschädigen und die Garantie in der angegebenen Frist ungültig machen kann.

A - Kollisionsstoßfänger - Wenn die visuelle Positionierung nicht verfügbar ist, kann der Kollisionsstoßfänger den normalen Betrieb der Maschine sicherstellen.

B - LED-Leuchten - LED-Leuchten am Mäher zeigen den Betriebsstatus der Maschine an.

C - RTK-Positionierungsantenne - Interaktives Positionierungsgerät für die RTK-Basisstation, die Maschine und Satelliten.

D - Steuerungsfeld - Das Panel zum Ein- und Ausschalten der Maschine; um die Maschine zu arbeiten oder zurückzukehren und mehr.

E - STOP-Taste - Not-Aus-Taste, um die Maschine im Falle einer dringenden Situation zu stoppen.

F - Regensensor - Der Regensensor kann Regen erkennen und die Maschine kann automatisch zur Ladestation zurückkehren, um Regen gemäß den Benutzereinstellungen zu vermeiden.

G - Binokular-Kamera - Die AI-unterstützte Binokular-Kamera hilft dem Mäher, Hindernisse zu erkennen und zu vermeiden.

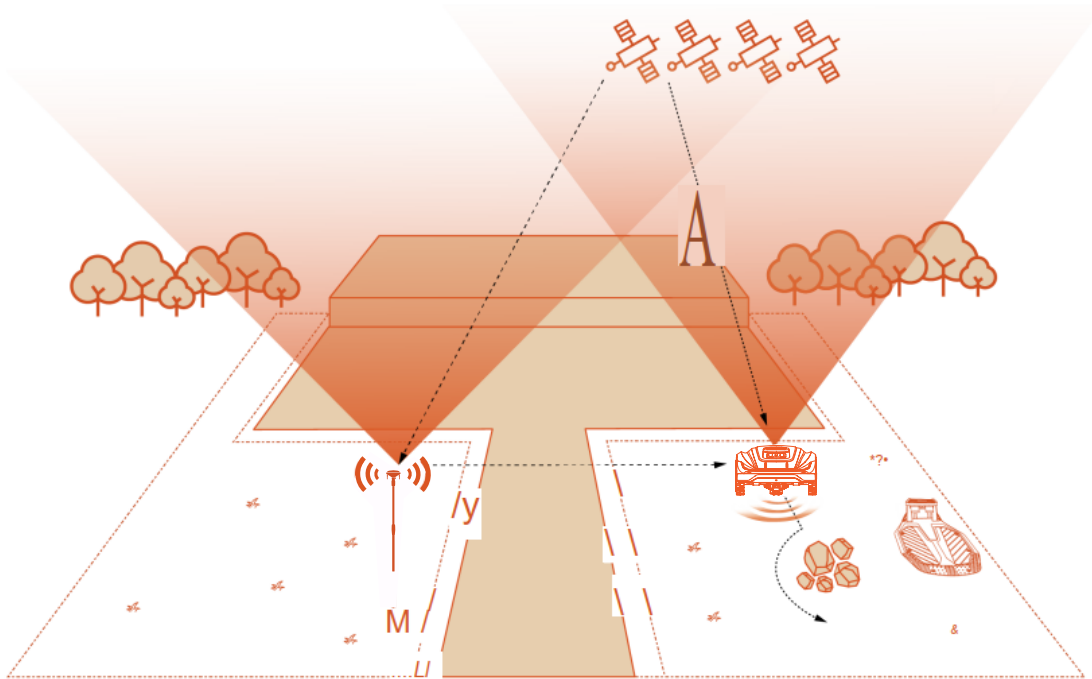
H - Ladeelektroden - Die Ladeelektroden an der Maschine verbinden sich mit denen an den Ladeelektroden der Station, um die Batterie der Maschine aufzuladen.

3.3 Spezifikationen

TECHNISCHE SPEZIFIKATION	X5-2000 RMX2000L20V
Begrenzungskabel	Drahtlos / Begrenzungsfrei
Maximale Mähfläche	2000m ²
Schnitthöhe min/max	20-60mm
Höhenverstellung	Manual
Schnittbreite	22cm
Akkukapazität	5 Ah
Benutzeroberfläche	APP & Tastaturanzeige
Maximale Steigung	30° (60%)
Abmessungen des Roboters	680*420*275 cm
Zertifikate	CE RoHS
Nettogewicht	11.8 kg
Schalleistungspegel LWA	60 dB (A)
Schalleistungsunsicherheiten KWA	3dB(A)
Schalldruckpegel LpA	52 dB (A)
Schalldruckunsicherheiten KpA	3dB(A)
MERKMALE	
Wifi / Bluetooth	▪
Intelligente Kartierung	▪
Pfadplanung	3 Optionen
VSLAM	▪
Super WLAN	▪
FOTA	▪
Schnelle Rückkehr zur Ladestation	▪
AWD (Allradantrieb) Räder	3 Räder
Gartenkarte in der APP	▪
Multi-Zonen	Bis zu 8
Arbeitszeitplan (in APP eingestellt)	Automatische oder manuelle Einstellung über APP
Stoßsensor	▪
Wasserwaschbar	▪
Diebstahlsicherung: durch GPS + 4G*	○
Google Assistant & Amazon Alexa	▪
PIN-Code	▪
Hebe- & Neigungssensor	▪
Regensensor	▪
Ökomodus	▪
LED-Scheinwerfer	▪
ZUBEHÖR	
Basisbefestigungsnägel	8 Stück
Ladegerät	3 A (CGF253)
Stromversorgung	1.1 A (CGF251)/2 A (CGF152)

4. Installation

Die RTK-Technologie für Satellitenpositionierung mit voller Frequenz hilft dem Rasenmäher, hochpräzise Standortinformationen zu erfassen. Zusammen mit der VSLAM-Technologie und Sunseeker AIR (Künstliche Intelligenz Erkennung) kann der Roboter Positionierungs- und Navigationsaufgaben in verschiedenen Szenarien, einschließlich komplexer Umgebungen, ausführen und so eine qualitativ hochwertige Rasenpflege gewährleisten. Die fortschrittliche Hardware und Software (intelligente Algorithmen) von Sunseeker verbessern die Umfelderkennung, die Positionierungsgenauigkeit und die Gesamtleistung des Rasenmähers erheblich. Ähnlich wie das menschliche Gehirn verarbeitet Sunseekers fortschrittliche Algorithmen Informationen von RTK (Real-Time Kinematic), VSLAM (Visual Simultaneous Localization and Mapping), IMU (Inertiale Messeinheit) und Odometer, um die Umfelderkennung unter verschiedenen Bedingungen zu optimieren. Die Sunseeker RTK-Technologie, die die Satellitensignale mit voller Frequenz empfängt und Echtzeit-Positionierung durchführt, ermöglicht es den Benutzern, virtuelle Grenzen für ihre Rasenmäher festzulegen, wodurch herkömmliche Begrenzungsdrähte überflüssig werden. Innerhalb dieser virtuellen Grenzen kann der Rasenmäher seine Mähpfade hochpräzise und effizient planen, um eine optimale Mähabdeckung zu erreichen.

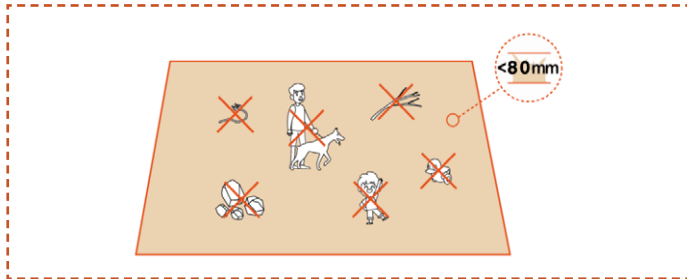


4.1 Vorbereitungen

Rasen vorbereiten

- A. Entfernen Sie jeglichen Schmutz, Laubhaufen, Spielzeug, Drähte, Steine oder andere Hindernisse.
- B. Um die Sicherheit zu gewährleisten, stellen Sie bitte sicher, dass Kinder und Haustiere vom Rasen ferngehalten werden.
- C. Schneiden Sie Ihren Rasen auf eine Höhe von nicht mehr als 80 mm, bevor Sie den Roboter-Rasenmäher verwenden.
- D. Die Gesamtgröße des Rasens reicht von 2000 m².

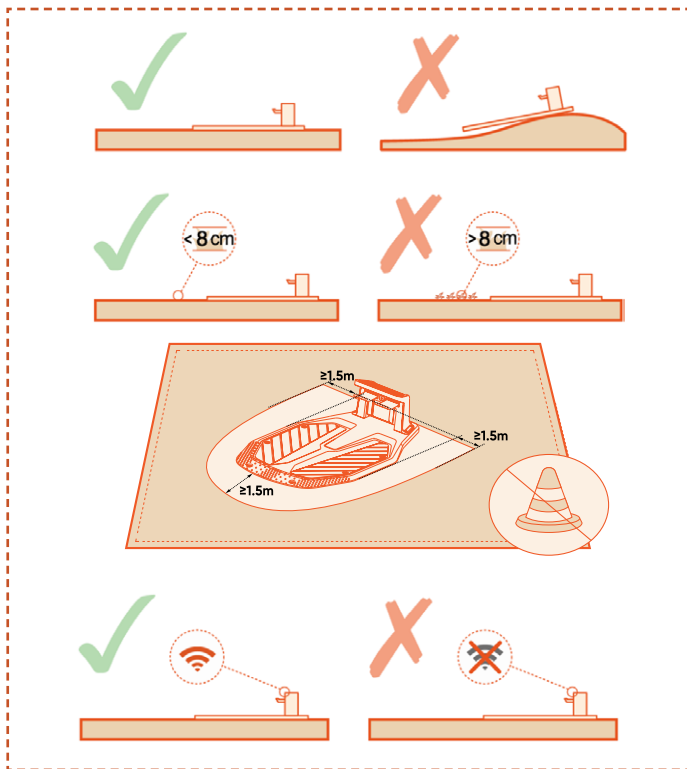
Empfohlene Rasentypen sind in den folgenden Bildern dargestellt:



4.2 Installieren der Ladestation

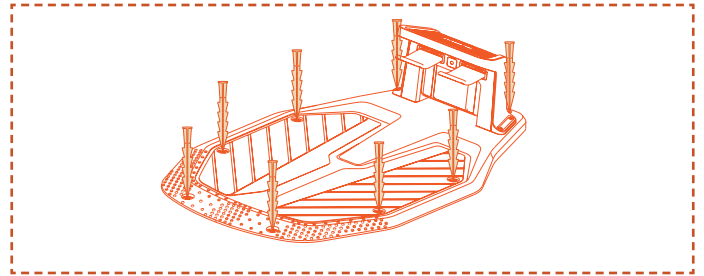
Finden Sie einen geeigneten Standort

Stellen Sie sicher, dass der Rasenmäher erfolgreich aus der Ladestation herausfahren und zurückkehren kann, installieren Sie die Ladestation auf einem offenen, ebenen Boden, der von Haushalts-WiFi abgedeckt ist. Es sollten keine Hindernisse innerhalb von 1,5 m vor der Ladestation vorhanden sein. Wenn Gras vorhanden ist, sollte es niedriger als 8 cm sein.

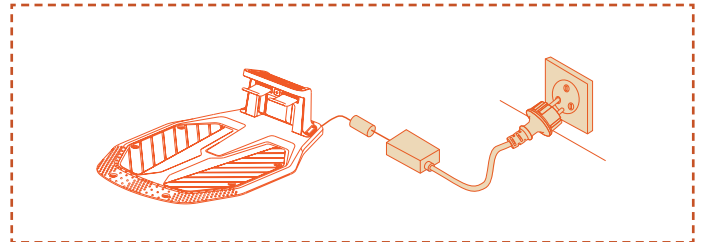


Installieren Sie die Ladestation

A. Befestigen Sie die Ladestation auf einem nicht gehärteten und ebenen Boden.



B. Schließen Sie das Netzkabel an die Stromquelle an. Wenn ein erheblicher Abstand zwischen der Ladestation und der Stromquelle besteht, stellen Sie sicher, dass das Netzkabel sicher am Boden und an der Wand befestigt ist, um einen sicheren Betrieb zu gewährleisten.

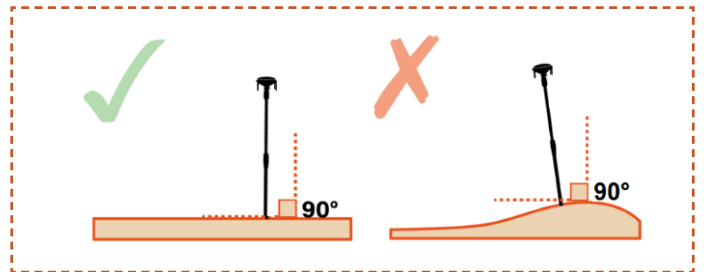


C. Wenn eine vollständige Offenheit auf allen Seiten nicht erreicht werden kann, halten Sie zumindest den südlichen Himmel frei, wenn Sie sich auf der Nordhalbkugel befinden, oder den nördlichen Himmel, wenn Sie sich auf der Südhalbkugel befinden. Versuchen Sie, die Ost- und Westseiten frei von Hindernissen zu halten.

4.3 Installieren der RTK-Basisstation

Finden Sie einen geeigneten Standort

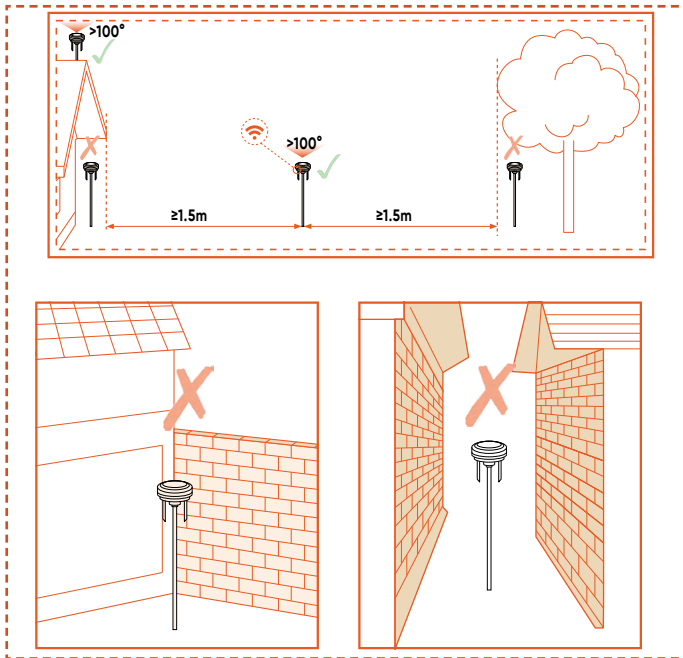
A. Stellen Sie die RTK-Basisstation aufrecht. Vermeiden Sie es, die RTK-Basisstation auf einer Schräge zu installieren.



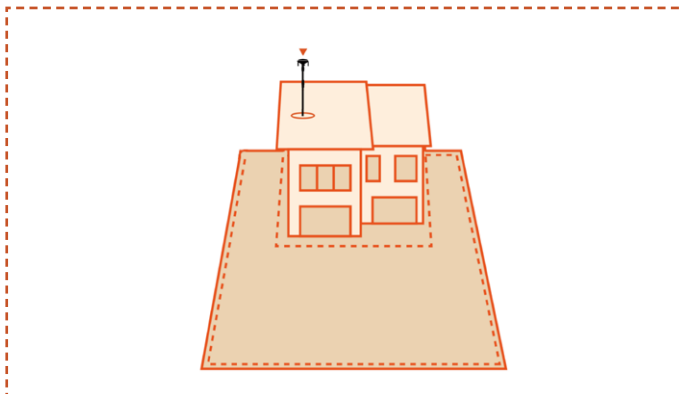
B. Der Standort sollte von Ihrem Haushalt-Wi-Fi abgedeckt sein.

C. Um einen guten Empfang der Satellitensignale zu gewährleisten, installieren Sie die Station in einem offenen und ebenen Raum ohne Signalblockaden, wo es mindestens 100° klare Signale empfangen kann und der Himmel ungehindert ist.

D. Der Abstand zwischen der RTK-Basisstation und Wänden oder Bäumen muss größer als 1,5 m sein.



E. Wenn Sie separate Rasenflächen haben oder Ihr Rasen die Form der Buchstaben "O" oder "U" hat, empfehlen wir, die RTK-Basisstation auf dem Dach oder an der Wand zu installieren.



F. Wenn eine vollständige Offenheit auf allen Seiten nicht erreicht werden kann, halten Sie zumindest den südlichen Himmel frei, wenn Sie sich auf der Nordhalbkugel befinden, oder den nördlichen Himmel, wenn Sie sich auf der Südhalbkugel befinden. Versuchen Sie, die Ost- und Westseiten frei von Hindernissen zu halten.

Installieren Sie die RTK-Basisstation

A. Verwenden Sie Nägel, um die RTK-Basisstation an einem Ort mit einer zugänglichen Stromquelle zu installieren.

B. Schließen Sie das Verlängerungskabel und das Ladegerät an die RTK-Basisstation an.

C. Schließen Sie die RTK-Basisstation an die Stromquelle an.

Überprüfen Sie das Satellitensignal



Standortanzeigeleuchte

- Durchgehend grün: Gutes Satellitensignal an diesem Standort.
- Durchgehend orange: Schwaches Satellitensignal an diesem Standort; es wird empfohlen, die Basisstation an einem Bereich mit besserem Signal neu zu installieren, frei von Hindernissen.
- Durchgehend rot: Sehr schwaches Satellitensignal an diesem Standort; Sie müssen die Basisstation an einem Bereich mit besserem Signal, ohne Hindernisse, neu installieren.

WLAN-Anzeigeleuchte

- Durchgehend grün: WLAN verbunden und Serverzugriff hergestellt
- ⦿ Blinkt grün: WLAN verbindet oder nicht mit dem Server verbunden
- Kein grünes Licht: WLAN nicht verbunden

Super-Wi-Fi-Anzeigeleuchte

- Durchgehend grün: Normale Kommunikation
- ⦿ Blinkt grün: Paarung läuft
- Kein grünes Licht: Kommunikationsstörung

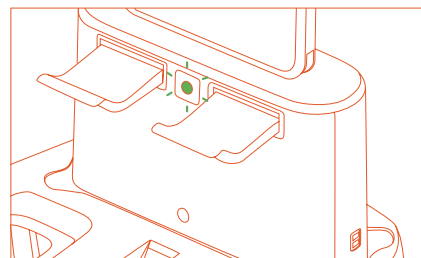
Stromanzeigeleuchte

- Durchgehend grün: Stromstörung
- ⦿ Blinkt grün: Strom normal
- Kein grünes Licht: Kein Strom

4.4 Laden und Aktivieren des Rasenmähers

Laden Sie den Mäher

Drücken Sie den Rasenmäher in die Ladestation, stellen Sie sicher, dass die Ladkontakte richtig verbunden sind. Das grüne Licht an der Ladestation blinkt und zeigt normales Laden an.

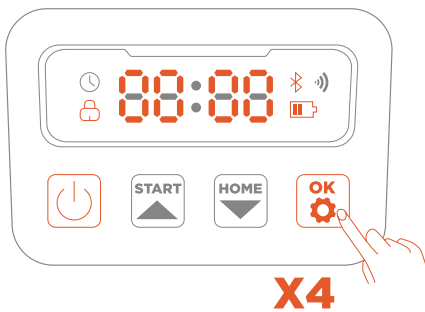


Aktivieren Sie den Mäher

A. Drücken Sie die Ein-/Austaste lange und geben Sie das Passwort ein. Der Standard-PIN-Code ist "0000". Drücken Sie jedes Mal "OK", wenn Sie 0 eingeben, um den Einstellvorgang abzuschließen.

B. Beim Eingeben des Passworts können Sie die START-Taste als Plustaste (+) und die HOME-Taste als Minustaste (-) verwenden.

C. Wenn Sie das Passwort ändern möchten, drücken Sie gleichzeitig die Starttaste und die Hometaste lange, um das Passwort zu ändern.



HINWEIS

Wenn die Anzeigeleuchte auch dann aus bleibt, wenn die Stromversorgung ordnungsgemäß angeschlossen ist, wenden Sie sich bitte an den Kundensupport.

! Vorsicht

- Lassen Sie keine Ladegeräte auf dem Boden innerhalb der virtuellen Grenzen fallen.
- Wenn die Ladestation innerhalb der virtuellen Grenzen installiert ist, sichern Sie das Verlängerungskabel am Boden, um den ordnungsgemäßen Betrieb des Mähers zu gewährleisten.

! WARNUNG

- NICHT laden, wenn die Maschine, das Ladegerät, die Ladestation oder die Steckdose beschädigt sind.
- NICHT laden, wenn die Temperatur der Maschine über 40 °C (104 °F) oder unter 5 °C (41 °F) liegt. Das Laden erfolgt nicht, wenn die Temperaturgrenzen überschritten werden.
- Stoppen Sie das Laden sofort, wenn ein abnormaler Geruch, Geräusch oder Licht erscheint.
- Vermeiden Sie das Laden in der Nähe von entzündlichen oder explosiven Materialien.

4.5 App-Verbindung

HINWEIS

Die folgenden Illustrationen bezüglich der App dienen nur zu Demonstrationszwecken. Die verfügbaren Optionen können je nach Softwareversion variieren.

Wie man die Sunseeker App verwendet

- Stellen Sie sicher, dass die Maschine auf der Ladestation ist und ordnungsgemäß lädt.
- Scannen Sie den QR-Code, um die Robotic Mower App herunterzuladen, oder suchen Sie nach "Robotic Mower" im Google Play Store (Android) oder im Apple App Store (iOS), um die Einrichtung abzuschließen.



iOS



Android



C. Erstellen Sie ein neues Konto und melden Sie sich an. Schalten Sie Bluetooth und Wi-Fi auf Ihrem Telefon ein. Scannen Sie den SN-QR-Code der Maschine, um Ihren Roboterrasenmäher hinzuzufügen. Nach erfolgreicher Paarung geben Sie das Standardmaschinenpasswort 0000 ein. Passwörter können auf dem Telefon geändert werden.

D. Konfigurieren Sie Ihr Wi-Fi für die Maschine in der App. Die Maschine muss mit demselben Wi-Fi wie Ihr Mobiltelefon verbunden sein. Geben Sie den Namen und das Passwort Ihres Heim-WLAN ein.

E. Verbinden Sie sich mit dem Wi-Fi. Sobald die Verbindung erfolgreich ist, leuchtet das Wi-Fi-Symbol auf dem Roboter und in der APP auf.

F. Benennen Sie Ihren Roboter.

HINWEIS

Wenn nötig, fordert die App den Zugriff auf Bluetooth und Wi-Fi-Netzwerke an, um eine ordnungsgemäße Einrichtung und zukünftige Funktionalität zu gewährleisten, gewähren Sie den Zugriff auf diese Funktionen.

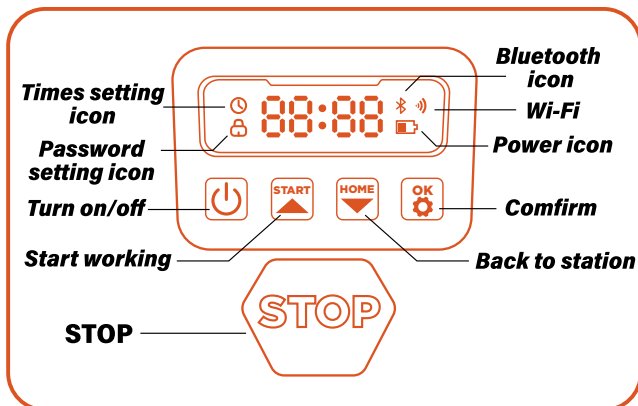
Verwenden Sie die Robotic Mower App, um

- Den Rasenmäher zu binden und zu aktivieren.
- Eine Karte (Arbeitsbereich) zu erstellen.
- Den Status und den Arbeitsfortschritt des Rasenmähers zu überwachen und seine Vorgänge wie Starten, Stoppen oder Zurückkehren zur Ladestation fernzusteuern.
- Anzeige und ändern der Arbeitseinstellungen des Rasenmähers (Mähplan, Schnitthöhe, Kartenverwaltung).
- Anzeige und ändern der Sicherheits-/Funktionseinstellungen des Rasenmähers (PIN, Klingentopp usw.).
- Anzeigen oder Aktualisieren der Firmware-Version des Geräts, Anzeigen des Netzwerkverbindungsstatus.
- Geräte entbinden, ändern oder hinzufügen.
- Hilfeschritte und Kundendienstunterstützung abzurufen.

5. Täglicher Betrieb

5.1 Anzeige und Steuerung am Rasenmäher

Anzeige



Stromsymbol: Das Batteriesymbol zeigt die verbleibende Leistung der Maschine an. Dieses Symbol zeigt mit 1 Balken an, dass die Leistung 30% oder weniger beträgt, mit 2 Balken, dass die verbleibende Leistung zwischen 31-66% liegt, und mit 3 Balken, dass die Leistung 67% und mehr beträgt.

WLAN-Symbol: Das WLAN-Symbol zeigt an, ob die Maschine erfolgreich mit dem WLAN verbunden ist oder nicht.

Bluetooth-Symbol: Das Bluetooth-Symbol zeigt an, ob die Maschine erfolgreich mit Bluetooth verbunden ist oder nicht.

Zeiteinstellungssymbol: Das Zeiteinstellungssymbol zeigt an, dass die Maschine den Zeiteinstellungsmodus betreten hat.

Passworteinstellungssymbol: Das Aufleuchten des Schlosssymbols zeigt an, dass Sie das Passwort eingeben oder das Passwort der Maschine ändern müssen.

Dashboard-Anzeige: Die Dashboard-Anzeige zeigt die verschiedenen Zustände und Modi der Maschine an:

- im Leerlauf:** Die Maschine befindet sich im Standby-Modus und es sind keine Aufgaben in Ausführung.
- Laufendes Licht:** Die Maschine befindet sich im Arbeitsmodus. In diesem Moment dreht sich die Scheibe mit hoher Geschwindigkeit. Bitte halten Sie sich fern.
- :** Wenn die Regensperre eingeschaltet ist, erkennt die Maschine, dass es regnet, beendet die aktuelle Arbeit und kehrt zur Ladestation zurück.
- stop:** Die Not-Aus-Taste wurde an der Maschine gedrückt.

Grundlegende Steuerung

Einschalten: Halten Sie die Einschalttaste 2 Sekunden lang gedrückt.

Ausschalten: Halten Sie die Einschalttaste 3 Sekunden lang gedrückt.

Der Rasenmäher kann nicht ausgeschaltet werden, wenn er sich in der Ladestation befindet. Wenn der Rasenmäher ausgeschaltet wird, sehen Sie das Wort "bye" auf dem Armaturenbrett angezeigt, und dann wird der Bildschirm ausgeschaltet.

Beginn der Arbeit/Einschalten: Drücken Sie die START-Taste und dann OK.

Zurück zur Station/Ausschalten: Drücken Sie die HOME-Taste und dann OK.

Betrieb des Mähers stoppen: Drücken Sie STOP.

Mäher neu starten: Drücken und halten Sie die Einschalttaste 10 Sekunden lang, um die Maschine auszuschalten, und schalten Sie sie dann wieder ein oder schieben Sie die Maschine direkt in die Ladestation und verbinden Sie sie mit den Ladeelektroden an der Station.

5.2 Ändern des PIN-Codes

Wenn der Mäher im Sperrzustand ist, geben Sie den PIN-Code ein, bevor Sie den Mäher manuell bedienen. Der Standardcode kann über die Robotic Mower App geändert werden.

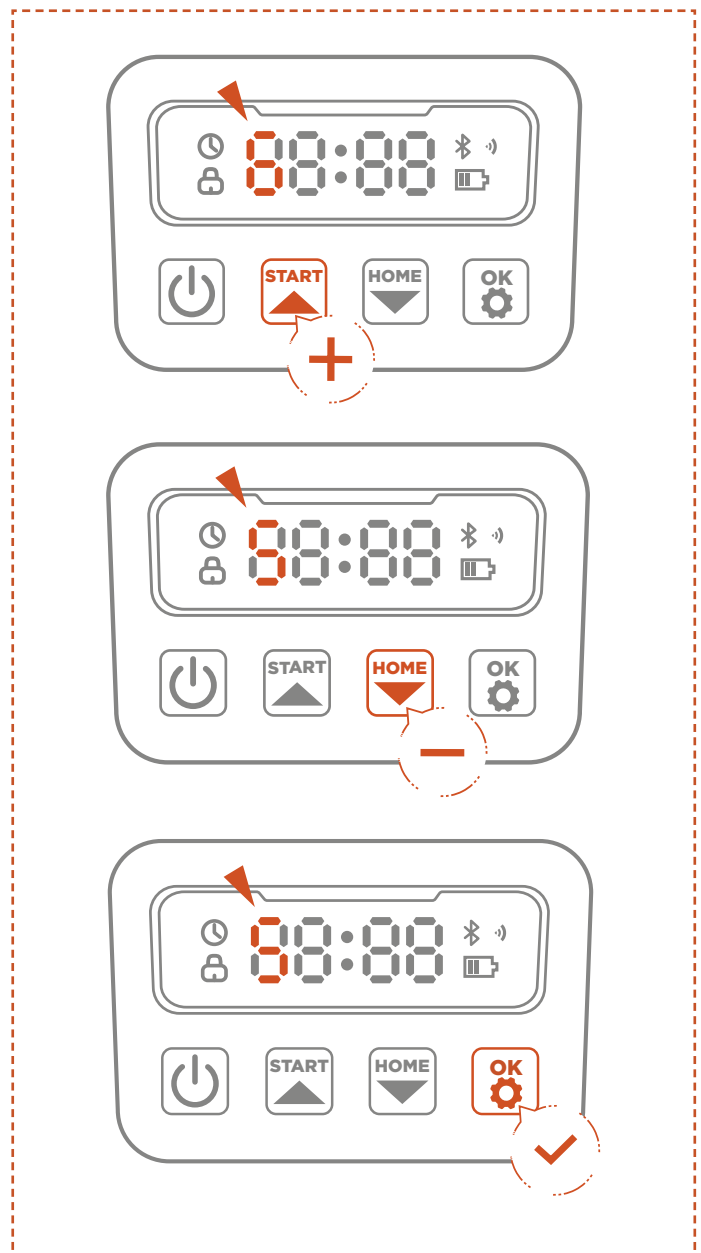
A. Drücken Sie die START- und HOME-Tasten 3 Sekunden lang.

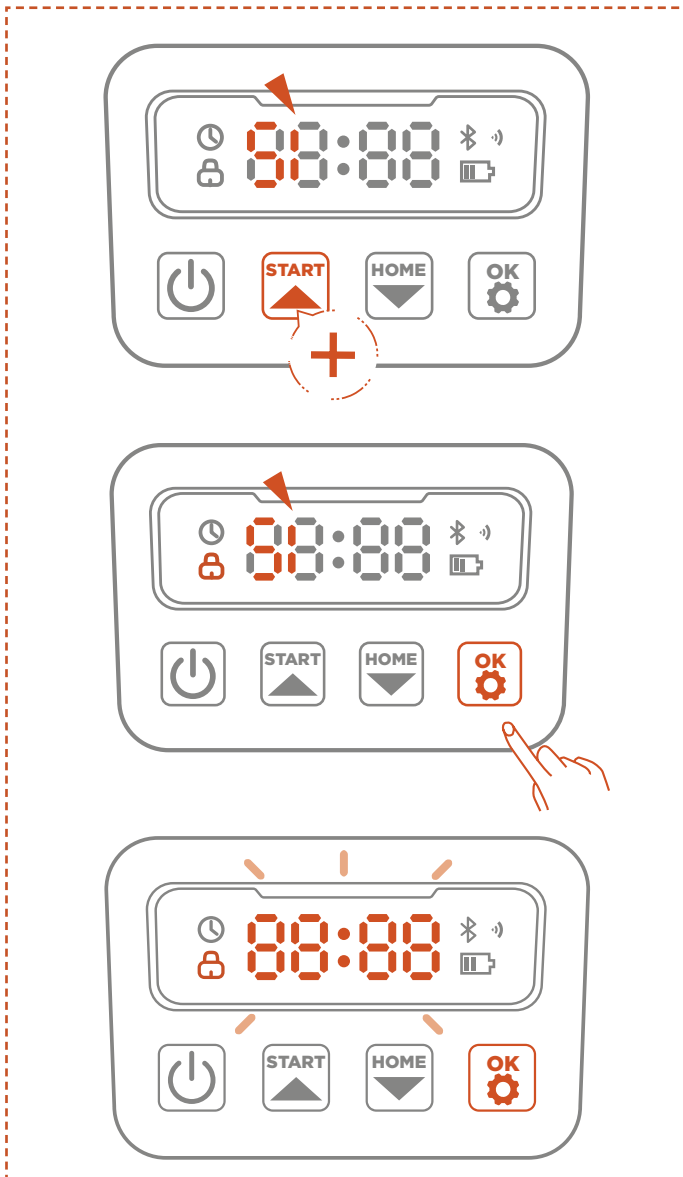
B. Wenn PIN1 angezeigt wird und nach "0---" erscheint, geben Sie das alte Passwort ein.

C. Wenn PIN2 angezeigt wird und nach "0---" erscheint, geben Sie das neue Passwort ein. Drücken Sie OK zur Bestätigung.

HINWEIS

Wenn der PIN-Code falsch eingegeben wird, zeigt das Display "ERR" an.





5.3 IoT

Die Plattform X ist ein Internet of Things (IoT) Gerät. Verbinden Sie den Mäher über das Mobilfunknetz oder Ihr WLAN-Netzwerk mit dem Internet, um folgende Funktionen zu ermöglichen:

A. Firmware-Updates Over-The-Air (OTA), halten Sie Ihren Rasenmäher auf dem neuesten Stand.

B. Ermöglichen Sie die Fernsteuerung über das Netzwerk:

Mähen starten, Mähen stoppen, zur Ladestation zurückkehren, Mähzeitplan einstellen, Schnitthöhe einstellen und weitere Funktionen.

C. Überwachen Sie den Mähfortschritt und den Standort des Rasenmähers aus der Ferne.

D. Melden Sie Fehlercodes und den Status des Rasenmähers über das Netzwerk.

WLAN

Plattform X verwendet WLAN, um sich mit einem Netzwerk zu verbinden.

Weitere Informationen finden Sie unter WLAN-Einstellung.

HINWEIS

- Die Plattform X unterstützt nur 2.4GHz-WLAN-Netzwerke.
- Wenn Sie ein iOS-Gerät verwenden, kann sich der Rasenmäher nur mit dem Wi-Fi verbinden, mit dem Ihr mobiles Gerät verbunden ist. Bitte folgen Sie den Anweisungen in der App. Verbinden Sie Ihr Mobilgerät zuerst mit dem WLAN und verbinden Sie dann den Mäher mit demselben WLAN. Für Android-Geräte gelten diese Anforderungen nicht.

Firmware-Updates

Wir werden die Firmware des Mähers weiterhin aktualisieren. Wenn eine neue Version der Firmware verfügbar ist, erhalten Sie eine Popup-Benachrichtigung in der App. Es wird empfohlen, das Update durchzuführen, sobald die neueste Firmware verfügbar ist.

Während des Firmware-Updates müssen folgende Bedingungen erfüllt sein:

- Die Maschine befindet sich in der Ladestation.
- Das Netzwerk ist verbunden.
- Die Batterieleistung beträgt mehr als 30%.
- Es gibt keinen Mähplan in eine Stunde.

Während des Updates blinkt das Umgebungslicht am Mäher blau. Sie können den Update-Fortschritt in Ihrer App sehen. Nach Abschluss des Updates wird das Umgebungslicht des Mähers grün leuchten.

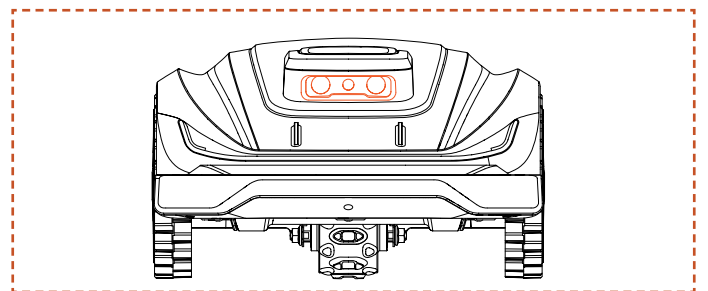
! WARNUNG

- BEWEGEN Sie den Rasenmäher NICHT während des Aktualisierungsprozesses.

5.4 Hindernisvermeidung

Stereokamera

Die Binokularkamera ist Teil der Standardausrüstung der Plattform X. Sie sind für die visuelle Grenzerkennung, die vorausschauende Hindernisvermeidung und die visuelle Erkennung von QR-Codes während des Ladevorgangs konzipiert und machen den Mäher intelligenter.



HINWEIS

- Das Arbeiten in dunklen Umgebungen kann die Fähigkeit der Maschine beeinträchtigen, Hindernisse genau und schnell zu erkennen und zu vermeiden. Es wird empfohlen, die Maschine nicht nachts zu betreiben.

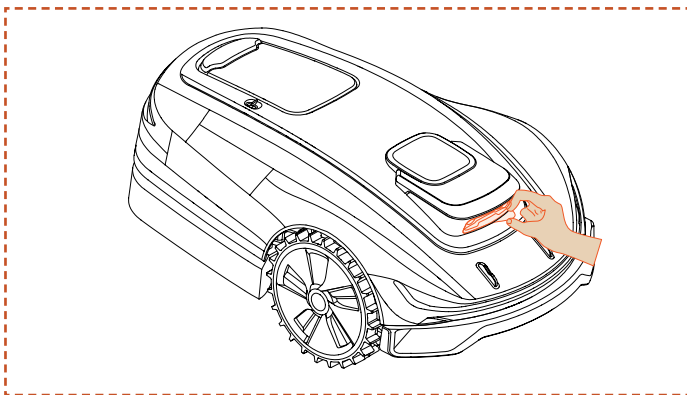
- Wenn sich zu viele Hindernisse auf Ihrem Rasen befinden, sollten Sie erwägen, Sperrzonen um sie herum einzurichten oder einige der Hindernisse zu entfernen, um die Effizienz der Maschine zu verbessern.

Künstliche Intelligenz-Erkennung

Sunseeker AIR (Künstliche Intelligenz Erkennung) definiert Sicherheit und Schutz neu mit proprietären, kamerabasierten VSLAM und Sunseeker AIR und bietet ein weiteres Sichtfeld (FOV) zur Erkennung von Hindernissen, um deren Anwesenheit vorherzusehen und den Rasenmäherpfad optimal zu ändern, um sie zu vermeiden. Die Hindernisvermeidungsfunktionen sind darauf ausgelegt, die Leistung Ihres Mähers zu steigern und Ihre Sicherheit zu erhöhen.

Stoßsensor

Sensoren sind innerhalb der Plattform X installiert, um Hindernisse zu erkennen. Wenn der Stoßfänger auf ein Hindernis trifft und den Sensor auslöst, fährt der Mäher rückwärts und weicht dem Hindernis aus.



HINWEIS

- Ihre Plattform X kann nach dem Anstoßen an Objekte ausweichen. Es wird jedoch empfohlen, überschüssigen Unrat vor dem Mähen zu entfernen.

6. Wartung

- A.** Erleben Sie hervorragende Mähergebnisse und verlängern Sie die Lebensdauer Ihres Rasenmähers mit Wartung.
- B.** Regelmäßige Inspektion und Wartung durch einen Erwachsenen jede Woche sind unerlässlich, um die optimale Leistung der Maschine zu gewährleisten.
- C.** Schützen Sie Ihr Wohlbefinden, indem Sie die Sicherheitsrichtlinien befolgen: Vermeiden Sie es, Wartungsarbeiten mit offenen Sandalen oder barfuß durchzuführen.
- D.** Priorisieren Sie stets die Sicherheit, indem Sie lange Hosen und Arbeitsschuhe während der Wartung des Rasenmähers tragen.
- E.** Verwenden Sie beschädigte oder abgenutzte Teile zeitnah, um einen reibungslosen Betrieb zu gewährleisten.

NUR autorisierte Servicetechniker dürfen das Chassisfach hinter der Stoßstange öffnen und wieder verschließen. Die begrenzte Garantie kann erlöschen, wenn Sie Ihre eigene Wartung durchführen.

HINWEIS: VERSICHERUNG

Es ist möglich, dass Ihre Versicherungen keine Unfälle mit diesem Produkt abdecken. Bitte wenden Sie sich an Ihren Versicherungsanbieter oder -agenten, um herauszufinden, ob eine Deckung angeboten wird.

6.1 Reinigung

- A.** Schalten Sie den Mäher aus.
- B.** Verwenden Sie eine weiche Bürste oder ein Tuch, um die Außenseite gründlich zu reinigen, und vermeiden Sie korrosive Lösungsmittel wie Alkohol, Benzin oder Aceton. Diese Substanzen können sowohl das Aussehen als auch die inneren Komponenten Ihres Mähers beschädigen.

HINWEIS

- Für nahtloses Docking ist es wichtig, die Ladestation regelmäßig auf Schmutz oder Schlammablagerungen zu untersuchen und zu reinigen.
- Stellen Sie sicher, dass alle Verbindungsteile der Ladestation, des Verlängerungskabels und der Stromversorgung für eine optimale Leistung frei bleiben.

Chassis und Klingenscheibe

- A.** Zum Reinigen des Chassis und der Klingenscheibe wird empfohlen, eine Bürste oder einen Wasserschlauch zu verwenden.
- B.** Verwenden Sie keinen Hochdruckreiniger, da dieser Schäden verursachen kann.
- C.** Stellen Sie sicher, dass sich die Klingenscheibe reibungslos dreht und die Klinsen sich ohne Einschränkungen bewegen können.

VORSICHT

- Hochdruckwasser kann in die Dichtungen eindringen und elektronische und mechanische Teile beschädigen.

Räder

Gras an den Rädern kann die Leistung des Mähers beim Klettern von Hängen beeinträchtigen. Verwenden Sie die Bürste, um Schlamm oder andere Objekte zu entfernen, um einen guten Halt sicherzustellen.

Regensensor

- A. Überprüfen Sie den Regensensor einmal im Monat und stellen Sie sicher, dass er nicht durch Schlamm, Gras oder andere Gegenstände verdeckt ist.
- B. Waschen Sie Schlamm, Gras oder andere Gegenstände ab oder verwenden Sie eine weiche Bürste zur Reinigung.
- C. Trocknen Sie den Sensorbereich nach der Reinigung, um eine Auslösung durch Regen zu vermeiden.

Kamera

Reinigen Sie die Kamera regelmäßig, um sie sauber zu halten.



WARNUNG

- Stellen Sie sicher, dass der Mäher ausgeschaltet ist, bevor Sie ihn reinigen.
- Wenn der Mäher auf dem Kopf steht, schalten Sie ihn aus.

6.2 Klingen austauschen

Für verbesserte Mähleistung und Sicherheit wird empfohlen, die Schrauben und Klingen des Mähers alle 1-2 Monate zu wechseln, wenn er häufig verwendet wird. Für ein sicheres Schneidsystem ersetzen Sie alle Klingen zusammen mit ihren Schrauben gleichzeitig. Siehe Abschnitt "Spezifikation - Zubehör" für die verwendbaren Teile.

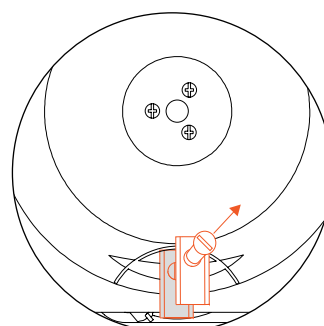
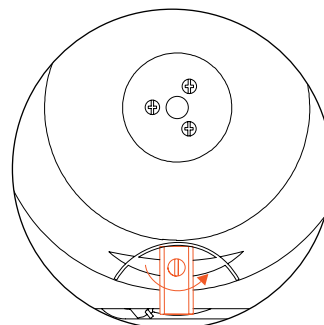
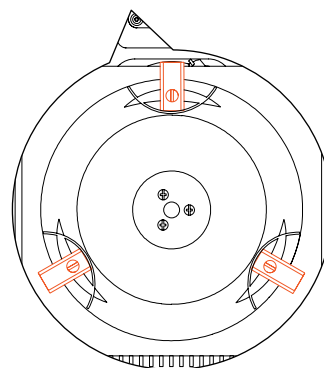
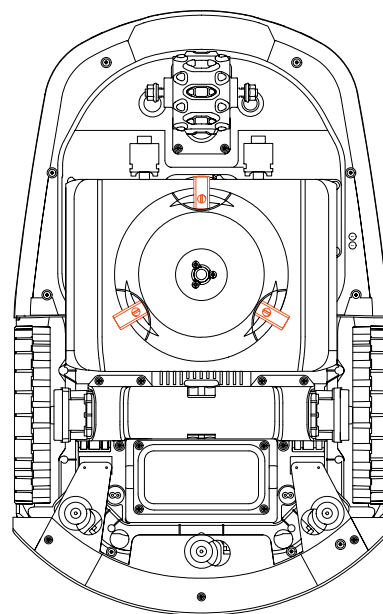


WARNUNG

- Tragen Sie beim Überprüfen oder Warten der Klingen dicke Handschuhe.
- Verwenden Sie die Schrauben NICHT erneut. Dies kann zu schweren Verletzungen führen.
- Wir empfehlen dringend, die richtigen Schrauben und die von uns verkauften Originalklingen zu verwenden. (NO.80201457).

So ersetzen Sie die Klingen

- A. Schalten Sie den Mäher aus.
- B. Stellen Sie den Mäher auf einer sauberen, weichen Unterlage auf den Kopf, um Kratzer zu vermeiden.
- C. Verwenden Sie einen Kreuzschlitzschraubendreher, um die Schrauben zu lösen.
- D. Entfernen Sie die Schrauben und Klingen.
- E. Befestigen Sie die neuen Klingen und Schrauben (Drehmoment: 1,0+0,2 N.m). Stellen Sie sicher, dass die Klingen frei schwenken können.



HINWEIS

- Ersetzen Sie die Schrauben mit einem Standarddrehmoment von 1,0+0,2 N.m. Falsches Drehmoment kann zu vermeidbaren Problemen führen.

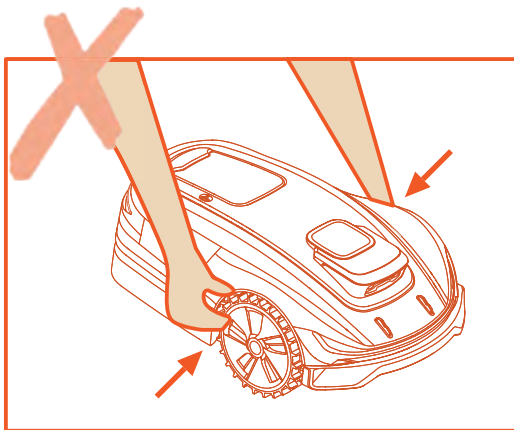
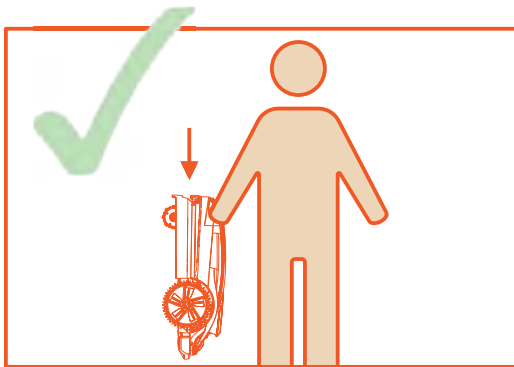
- Stellen Sie sicher, dass der Mäher ausgeschaltet ist und überprüfen Sie die Klingen auf ordnungsgemäße Anwendung. Überprüfen Sie auf ungewöhnliche Geräusche oder Vibrationen.

6.3 Transport

Stellen Sie die Sicherheit des Mähers während des Transports über lange Strecken sicher, indem Sie die Originalverpackung verwenden. Stellen Sie sicher, dass das Produkt ausgeschaltet ist, bevor Sie es anheben, bewegen oder transportieren. Gehen Sie vorsichtig vor und vermeiden Sie gewaltsame Einwirkungen wie Werfen und starken Druck. Heben oder tragen Sie den Mäher niemals, während der Motor läuft.

Wie man richtig bewegt oder hebt

Tragen Sie den Mäher am Griff. Halten Sie die Messerscheibe von Ihrem Körper fern.

**6.4 Batterie**

A. Laden Sie die Batterie vor der Lagerung vollständig auf, um eine Tiefentladung und Schäden an den elektrischen Teilen zu vermeiden.

B. Die eingeschränkte Garantie schützt nicht vor Schäden durch Tiefentladung der Batterie.

C. Laden Sie das Batteriepack NICHT bei Lufttemperaturen unter 5 °C (41 °F) oder über 40 °C (104 °F) auf.

D. Wenn das Batteriepack bei einer Lufttemperatur zwischen 18 °C und 25 °C geladen wird, kann dies seine Lebensdauer verlängern und die Leistung verbessern.

E. Das Batteriepack funktioniert am besten bei normaler Raumtemperatur (20 °C±5 °C).

HINWEIS

- Die Batterielebensdauer hängt davon ab, wie oft das Produkt verwendet wird und wie lange die Gesamtbetriebsstunden sind. Wenn die Betriebszeit pro vollständiger Ladung deutlich kürzer ist als gewöhnlich oder der Rasen nicht gut geschnitten ist, wird empfohlen, die Batterie zu ersetzen.

So ersetzen Sie den Akku

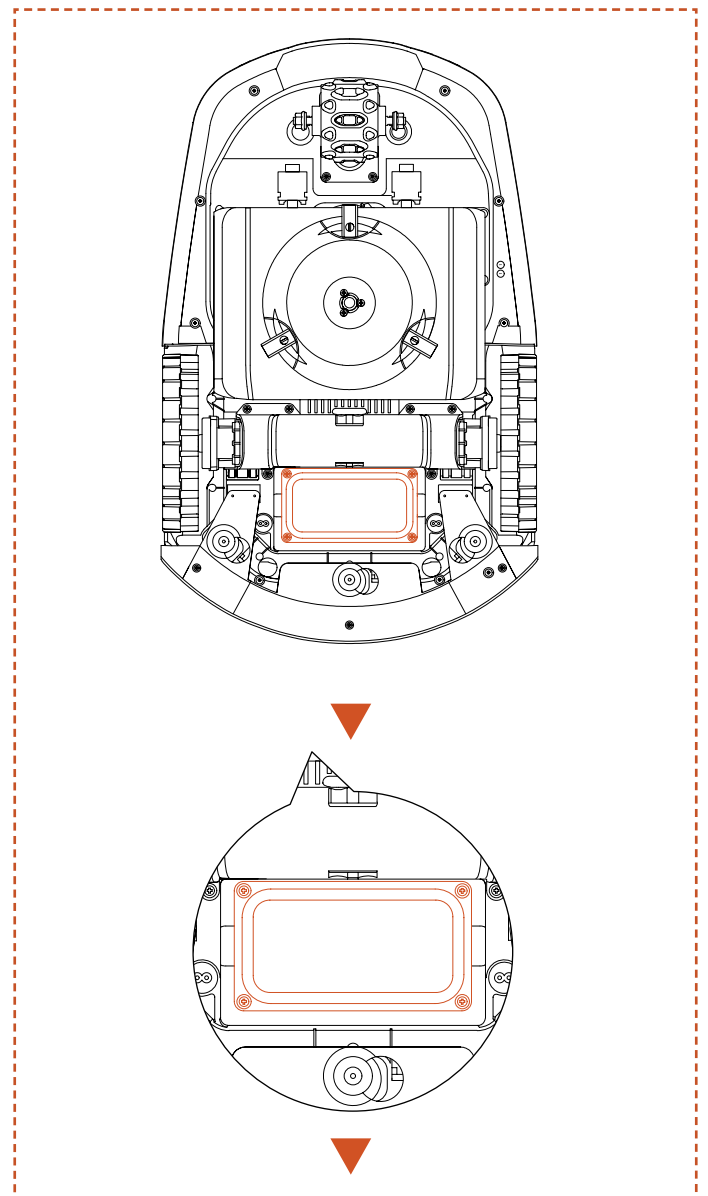
A. Schalten Sie den Mäher aus.

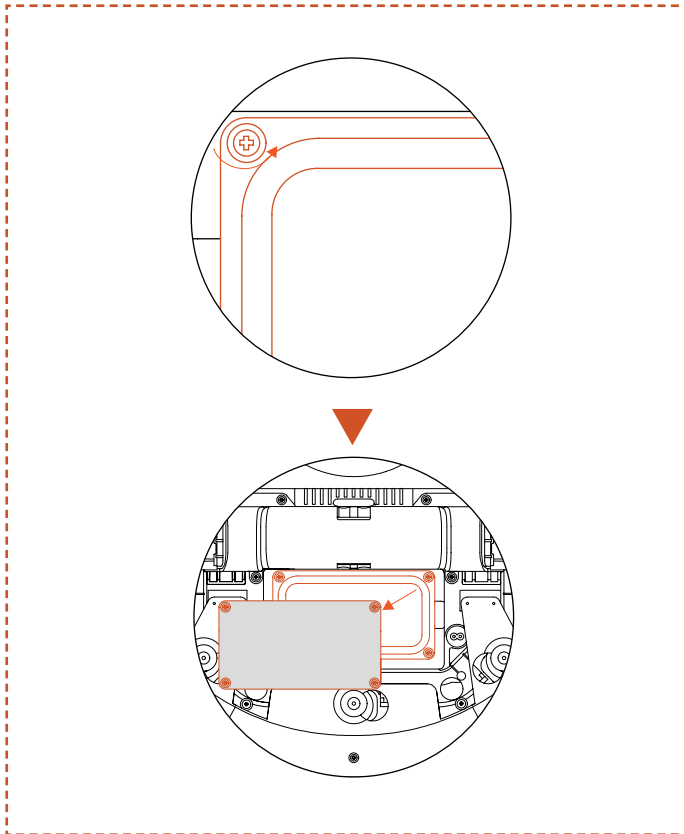
B. Stellen Sie den Mäher auf einer sauberen, weichen Unterlage auf den Kopf.

C. Lösen Sie die 4 Schrauben, die das Batteriefach mit einem Kreuzschlitzschraubendreher befestigen.

D. Trennen Sie den Stecker.

E. Nehmen Sie das Batteriepack heraus und ersetzen Sie es durch das neue.





! WARNUNG

- Verwenden Sie nur das Original-Batteriepack oder ein Batteriepack desselben Modells, wie von SUNSEEKER angegeben. Jeder Mäher enthält ein Akkupack.
- Je nach spezifischem Mähermodell beträgt die Nennkapazität der Batterie 5000 mAh oder 10000 mAh.
- Verwenden Sie keine nicht wiederaufladbaren Batterien. Verwenden Sie zum Aufladen der Batterie nur das abnehmbare Netzteil, das mit diesem Produkt geliefert wird.
- Vermeiden Sie es, das Batteriefach zu zerbrechen oder zu zerlegen. Vermeiden Sie den Kontakt mit Metallgegenständen, um Kurzschlüsse zu verhindern. Halten Sie sich von Wärmequellen, Feuer und direktem Sonnenlicht fern.
- Kontaktieren Sie Ihren Verkaufsort, Ihr lokales oder regionales Abfallmanagementbüro oder Ihren Hausmüllentsorgungsdienst für weitere Informationen über Batterie- und Elektroschrott.
- Das Batteriefach ist nicht dazu bestimmt, häufig geöffnet zu werden. Nur wenn ein neuer Akku benötigt wird, sollten Sie das Batteriefach öffnen.
- Das Batteriepack enthält Elektrolyte. Wenn Elektrolytleckagen mit Ihrer Haut in Kontakt kommen, sofort mit Seife und Wasser abwaschen. Suchen Sie bei Augenkontakt sofort einen Arzt auf und spülen Sie die Augen mindestens 15 Minuten lang gründlich mit Wasser, ohne zu reiben.

6.5 Stromversorgung

Trennen Sie die Stromversorgung:

- A. Vor dem Beseitigen einer Blockierung.
- B. Vor dem Überprüfen, Reinigen oder Arbeiten an der Maschine.
- C. Nach dem Auftreffen auf einen Fremdkörper, um die Maschine auf Schäden zu überprüfen.
- D. Untersuchen Sie regelmäßig das Kabel, den Stecker, das Gehäuse und andere Teile. Bei Beschädigungen oder Alterungserscheinungen sofort aufhören zu verwenden.

! WARNUNG

- VERWENDEN SIE NIEMALS eine beschädigte Stromversorgung für den Betrieb. Um eine Gefahr zu vermeiden, muss das beschädigte Netzkabel vom Hersteller, seinem Kundendienst oder einer anderen qualifizierten Person ersetzt werden. Wenn das Verlängerungskabel defekt ist, ersetzen Sie es durch ein von SUNSEEKER zugelassenes 10 m-Kabel.
- BERÜHREN SIE NIEMALS ein Verlängerungskabel oder ein beschädigtes Kabel, bevor es von der Stromquelle getrennt oder mit der Stromversorgung verbunden ist. Ein beschädigtes Kabel kann Kontakt mit elektrischen Komponenten verursachen.
- Die Stromversorgung sollte nicht mit einem anderen Gerät oder einer anderen Batterie verwendet werden, da dies das Risiko eines elektrischen Schlags, eines Feuers oder einer Verletzung erhöht. Wenn Sie andere als die Originalbatterien verwenden, kann die Produktsicherheit nicht garantiert werden.
- LADE DIE BATTERIE NICHT, wenn diese ausläuft. Halten Sie das Verlängerungskabel von beweglichen gefährlichen Teilen fern, um Schäden an den Kabeln zu vermeiden, die zu einem Kontakt mit stromführenden Teilen führen können.

Empfehlung

Schließen Sie den Mäher und/oder seine Peripheriegeräte nur an einen Stromkreis an, der durch einen Fehlerstromschutzschalter (RCD) mit einem Auslösestrom von nicht mehr als 30 mA geschützt ist.

6.6 Lagerung

- A. Stellen Sie sicher, dass der Mäher vollständig geladen und ausgeschaltet ist, bevor Sie ihn lagern, um eine Tiefentladung zu verhindern, die zu dauerhaften Schäden führen könnte.
- B. Lagern Sie in einem trockenen, kühlen Raum. Die Einwirkung von Sonnenlicht und extremen Temperaturen (entweder heiß oder kalt) beschleunigt den Alterungsprozess der Komponenten und kann zu dauerhaften Schäden führen.
- C. Halten Sie Chemikalien und Wärmequellen (Öfen, Heizkörper usw.) vom Mäher, der Ladestation und der Stromversorgung fern.
- D. Lagern Sie die Stromversorgung an einem gut belüfteten Ort und schützen Sie sie vor Feuchtigkeit.

WARNUNG

- Trennen Sie die Stromversorgung vom Stromnetz, wenn ein Gewitter vorhergesagt wird. Trennen Sie alle Drähte und Kabel, die an die Ladestation angeschlossen sind. Stellen Sie die Verbindung wieder her, wenn keine Möglichkeit eines Gewitters mehr besteht.

Zusätzliche Anforderungen für die Winterlagerung

Der Mäher:

- A. Reinigen Sie den Mäher gründlich vor der Lagerung.
- B. Überprüfen Sie die verschleißanfälligen Teile wie die Klingen.
- C. Reparieren oder ersetzen Sie diese, wenn sie sich in schlechtem Zustand befinden.
- D. Lagern Sie den Mäher an einem trockenen und frostfreien Ort und stellen Sie ihn auf alle Räder, vorzugsweise in der Originalverpackung.

Die Ladestation:

- A. Trennen Sie die Ladestation und ziehen Sie die Stromversorgung aus der Steckdose.
- B. Halten Sie die Ladestation aus direktem Sonnenlicht und bringen Sie sie nach innen.

6.7 Recycling und Entsorgung am Lebensende

Dieses Produkt ist KEIN Haushaltsabfall. Wenden Sie sich an Ihre Gemeinde, Verkaufsstelle oder Hausmüllentsorgungsdienst, um Informationen zum Recycling zu erhalten.

WARNUNG

- Dieses Produkt sollte nicht auf einer Mülldeponie entsorgt, verbrannt oder mit dem normalen Hausmüll vermischt werden. Elektrische Komponenten können Gefahren oder schwerwiegende Schäden verursachen.

7. FAQ und Fehlerbehebung

7.1 Fehlermeldungen

Fehlercode	Bedeutung	Mögliche Ursache
E1	Roboter außerhalb der Arbeitszone	Wie löse ich das Problem "Roboter außerhalb der Arbeitszone"?
E2	Radmotor blockiert	Der Radmotor ist blockiert
E3	Schneidmotorfehler	Der Schneidmotor ist blockiert
E4	Roboterstoßfänger ist fest	1. Zu viele Hindernisse 2. Bestätigen Sie, ob der Stoßfänger an der richtigen Stelle ist.
E5	Roboter angehoben	Überprüfen Sie, ob die Maschine angehoben wurde
E6	Roboter gekippt	Überprüfen Sie, ob die Maschine auf unebenem Boden steht.
E7	Winkelsensor wird häufig aktiviert	Überprüfen Sie, ob die Maschine auf unebenem Boden steht.
E8	Fehler beim Andocken an die Ladestation während des Ladevorgangs	Wie behebe ich den Fehler "Fehler beim Andocken an die Ladestation während des Ladevorgangs"?
E9	Roboter festgefahren	1. Überprüfen Sie, ob sich zu viele Hindernisse um die Maschine befinden 2. Der Roboter ist in einen engen Raum eingefahren und konnte nicht herauskommen 3. Der Mäher rutscht
E10	Upgrade fehlgeschlagen	1. Überprüfen Sie, ob das WLAN-Signal sehr schwach ist 2. Überprüfen Sie, ob die Maschine auf einer Ladestation aufgeladen wird
E12	Batteriespannungsfehler	1. Stellen Sie die Maschine auf die Ladestation, um zu sehen, ob sie vollständig aufgeladen wird 2. Überladungsstrom 3. Überlastungszeit 4. Batteriespannung zu hoch oder zu niedrig
E13	Ladefehler	Defektes Ladegerät
E14	Das aktuelle Kartenbereich ist zu groß und überschreitet das maximal unterstützte Arbeitsbereich des Roboters	Erstellen Sie eine neue Karte innerhalb des Nennfähigkeitsbereichs des Produkts
E15	Hinterradmotor/Lenkmotorfehler	Der Hinterradmotor/Lenkmotor ist blockiert
E16	Hebemotorfehler	Der Hebemotor ist blockiert
E17	Kann die Ladestation nicht finden	Wie behebe ich den Fehler "Fehler beim Andocken an die Ladestation während des Ladevorgangs"?
E18	Niedrige Batterie	Die Maschine kann möglicherweise aufgrund eines Fehlers nicht zur Ladestation zurückkehren, um normal aufzuladen. Bitte bewegen Sie sie manuell zur Ladestation zum Aufladen
E19	Verbindung fehlgeschlagen	1. Es gibt 4 QR-Codes am Ende der Maschine, und beim Hinzufügen einer Maschine müssen Sie den ersten QR-Code auswählen. 2. Überprüfen Sie, ob das Bluetooth auf dem Telefon eingeschaltet ist und ob es sich innerhalb eines Bereichs von 1 Meter von der Maschine befindet. 3. Haben Sie das richtige Startpasswort eingegeben, das standardmäßig 0000 ist 4. Ist das WLAN 2.4GHz? 5. Ist das WLAN-Passwort korrekt?

Fehlercode	Bedeutung	Mögliche Ursache
E21	RTK-Initialisierung fehlgeschlagen	1. Überprüfen Sie, ob die Basisstation korrekt installiert ist und ob es Hindernisse gibt. 2. Überprüfen Sie, ob die Maschine blockiert ist 3. Überprüfen Sie, ob es große Hindernisse gibt, die das Signal zwischen der Basisstation und der Maschine blockieren
E22	Frontkamera-Fehler	Überprüfen Sie, ob die Kamera blockiert ist
E23	Kartenfehler	Erstellen Sie eine Karte, bevor Sie starten
E24	RTK-Basis-Signal verloren	1. Überprüfen Sie, ob die Basisstation eingeschaltet ist. 2. Überprüfen Sie, ob die Basisstation korrekt installiert ist Wie installiere ich die RTK-Station 3. Überprüfen Sie, ob es Hindernisse zwischen der Basisstation und der Maschine gibt 4. Versuchen Sie, die Basisstation erneut zu verbinden
E25	Kartierung fehlgeschlagen	1. Überprüfen Sie, ob die Karte geschlossen ist 2. Überprüfen Sie, ob die Maschine eine gute WLAN-Verbindung hat
E26	RTK-Kalibrierung fehlgeschlagen	Wie behebe ich den Fehler "RTK-Kalibrierung fehlgeschlagen"?
EE	Händlerunterstützung benötigt	1. Schlechter Kontakt des Batteriestandards 2. Anzeigetafeldefekt 3. Grenztafeldefekt 4. Funktionstafelanomalie 5. Hardwarefehler 6. Andere Fehler
BP	Batterietemperaturfehler	1. Überprüfen Sie, ob die Umgebungstemperatur zu hoch ist 2. Überprüfen Sie, ob die Umgebungstemperatur zu niedrig ist
LOCK	Gesperrt. Versuchen Sie es nach 10 Minuten erneut.	1. Bitte geben Sie das richtige Passwort ein 2. Wenn Sie Ihr Passwort vergessen haben, können Sie es auf 0000 zurücksetzen, indem Sie die Werkseinstellungen über die App zurücksetzen 3. Wenn die mobile App nicht mit der Maschine verbunden ist, wenden Sie sich bitte an den After-Sales-Service
STOP	Manueller Stopp	Die STOP-Taste wurde gedrückt

Anweisungen zum weiteren Vorgehen bei ungewöhnlichen Vibrationen:

- A. Schalten Sie die Maschine aus.
- B. Drehen Sie die Maschine um 180 Grad.
- C. Überprüfen Sie den Zustand der Klingen auf Schäden oder Fehlfunktionen.
- D. Es wird empfohlen, alle drei Klingen zu ersetzen.
- E. Drehen Sie die Maschine wieder um, um mit der Arbeit zu beginnen.

7.2 Problembehebung

Wenn Sie auf produkt- oder appbezogene Probleme stoßen, überprüfen Sie die FAQ-Artikel auf der Sunseeker-Website (<https://support.sunseeker-elite.com>) oder im Abschnitt "Hilfe und Feedback" der App.

8. Wichtige Informationen

8.1 Datenschutz

Verarbeitung personenbezogener Daten innerhalb von Plattform X

- Wer und warum?

Wenn Sie sich für die Nutzung der Sunseeker-Plattform X registrieren und diese nutzen, wird Sunseeker ("wir"), als Verantwortlicher, Ihre persönlichen Daten verarbeiten. Wir werden Ihre personenbezogenen Daten verarbeiten, um:

1. Ihnen die Plattform X-Verbindung bereitzustellen oder Ihnen ein Angebot für diesen Service zu machen. Die Rechtsgrundlage ist, dass die Verarbeitung zur Erfüllung des Vertrags erforderlich ist, den Sie mit uns abgeschlossen haben, oder um Schritte vor Vertragsabschluss mit uns zu unternehmen.
2. Unsere Produkte und Dienstleistungen weiterentwickeln und verbessern. Die Rechtsgrundlage ist unser berechtigtes Interesse an der Weiterentwicklung und Verbesserung unserer Produkte und Dienstleistungen.
3. Die Konnektivität der Plattform X (Internet of Things) ermöglichen: Verwendung von Partnerintegrationen (z.B. intelligente Assistenten, einschließlich sprachaktivierter Geräte); Nutzung von Konnektivitätsplattformen zur Verbindung von Plattform X mit Drittgeräten, Apps und Dienstleistungen; und Erstellung Ihrer eigenen Smart Home-Integration. Die Rechtsgrundlage ist, dass die Verarbeitung zur Erfüllung des Vertrags erforderlich ist, den Sie mit uns abgeschlossen haben.
4. Ihnen relevante Informationen zu Ihrer Plattform X-Erfahrung bereitzustellen. Die Rechtsgrundlage ist unser berechtigtes Interesse, Sie über Ihre spezifischen Produkte und Dienstleistungen und deren Funktionen zu informieren.
5. Unterstützung und Problemlösung zu Plattform X bieten. Die rechtliche Grundlage ist, dass die Verarbeitung notwendig ist für die Erfüllung des Vertrags, den Sie mit uns abgeschlossen haben.

Wenn Sie uns Ihre Einwilligung gegeben haben (in diesem Fall ist die Rechtsgrundlage Ihre Einwilligung), können wir Ihre personenbezogenen Daten auch für die folgenden Zwecke verarbeiten:

1. Ihnen maßgeschneiderte Werbung und Newsletter über unsere Produkte und Dienstleistungen zu senden.
2. Ihnen Kundenumfragen zu senden und die von Ihnen gemachten Angaben zu analysieren, wie in dieser Mitteilung näher erläutert.

Ihre Daten werden so lange verarbeitet, wie es erforderlich ist, um die oben genannten Zwecke zu erfüllen, jedoch keinesfalls länger als gesetzlich zulässig.

- Welche personenbezogenen Daten verarbeiten wir?

Wir können folgende personenbezogene Daten verarbeiten:

1. Persönliche Daten: Vor- und Nachname, Nationalität, Sprachvorlieben;
2. Kontaktdaten: E-Mail-Adresse, Postanschrift;
3. Kontoinformationen: Kontodauer, Passwort, Kontonummer;
4. Andere Daten im Zusammenhang mit Ihrer Plattform X: Mähernamen, Paarungsnamen, durch die Nutzung von Partnerintegrationen ausgelöste Aktionen und Geräteinformationen.

- Verwendung von Standortdaten

Einige unserer Dienste funktionieren nur, wenn wir den Standort Ihres Mähroboters bestimmen können (z.B. Wetteranzeige). Wenn Sie Ihren Mähroboterstandort mit uns teilen, werden die Daten als Teil Ihres Profils gespeichert und können in pseudonymisierter Form an Dritte weitergegeben werden, um den entsprechenden Dienst bereitzustellen (z.B. um den Rasenmäher bei starkem Regen zu parken).

8.2 Eingeschränkte Garantie

Eingeschränkte Garantie

Wir bieten eine 2-Jahres-Garantie. Bevor Sie einen Garantieanspruch geltend machen, bitten wir Sie dringend, zuerst den Abschnitt FAQ und Fehlerbehebung des Benutzerhandbuchs zu überprüfen. Unser engagierter Kundensupport steht Ihnen ebenfalls zur Verfügung. Um Garantieansprüche geltend zu machen, legen Sie einen Kaufnachweis vor, einschließlich einer gültigen Quittung mit Datum und Kaufort.

Unsere Garantie deckt nicht ab:

Teile, die normalen Verschleißerscheinungen unterliegen, wie Erdnägel, Schneidscheiben und Batterien.

8.3 Haftungsausschlüsse

Wir bieten Kunden After-Sales-Services, mit Ausnahme der folgenden Umstände:

1. Unfallschäden, die durch nicht herstellungsbedingte Faktoren verursacht wurden, einschließlich, aber nicht beschränkt auf, Benutzerfehler.
2. Schäden, die durch unbefugte Modifikationen, Demontage oder Gehäuseöffnungen verursacht wurden, die nicht den offiziellen Anweisungen oder Handbüchern entsprechen.
3. Schäden, die durch unsachgemäße Installation, falsche Verwendung oder nicht gemäß den offiziellen Anweisungen oder Handbüchern verursacht wurden.
4. Schäden, die durch nicht autorisierte Dienstleister verursacht wurden.
5. Schäden, die durch unbefugte Modifikation von Schaltkreisen und/oder Missbrauch oder Fehlgebrauch der Batterie und des Ladegeräts verursacht wurden.
6. Schäden, die durch Benutzer verursacht wurden, die den Anweisungen und Handbuch-Empfehlungen nicht folgen.
7. Schäden, verursacht durch den Einsatz bei schlechten Rasenbedingungen (d.h. große Pfützenbereiche, wenn abgesperrte Bereiche nicht richtig eingerichtet sind, Standorte mit einer Fülle von Steinen, die die Rasenoberfläche bedecken, etc.)
8. Schäden, die durch den Betrieb des Produkts in Umgebungen mit elektromagnetischen Störungen, einschließlich Bergbaugebieten oder in der Nähe von Funkübertragungstürmen, Hochspannungsleitungen, Umspannwerken usw., verursacht werden.
9. Schäden, die durch den Betrieb des Produkts in Umgebungen mit Störungen durch andere drahtlose Geräte wie Sender, Video-Downlinks, WLAN-Signale usw. verursacht werden.
10. Schäden, die durch Zuverlässigkeits- oder Kompatibilitätsprobleme bei der Verwendung von nicht autorisierten Drittanbieter-Teilen verursacht werden.

11. Schäden, die durch den Betrieb des Geräts mit einer schwach geladenen oder defekten Batterie verursacht wurden.
12. Schäden, die durch unvorhersehbare Faktoren wie Autounfälle, Angriffe durch wilde Tiere, Überschwemmungen usw. verursacht werden.
- Dieser Inhalt kann ohne vorherige Ankündigung geändert werden.

FCC-Erklärung

Dieses Gerät entspricht Teil 15 der FCC-Vorschriften. Der Betrieb unterliegt den folgenden beiden Bedingungen: (1) Dieses Gerät darf keine schädlichen Interferenzen verursachen, und (2) dieses Gerät muss empfangene Interferenzen akzeptieren, einschließlich Interferenzen, die einen unerwünschten Betrieb verursachen können. Änderungen oder Modifikationen, die nicht ausdrücklich von der für die Einhaltung verantwortlichen Partei genehmigt wurden, könnten die Berechtigung des Benutzers zum Betrieb des Geräts aufheben.

HINWEIS

Dieses Gerät wurde getestet und entspricht den Grenzwerten für ein digitales Gerät der Klasse B gemäß Teil 15 der FCC-Vorschriften. Diese Grenzwerte sollen einen angemessenen Schutz vor schädlichen Störungen in Wohnanlagen bieten. Dieses Gerät erzeugt, verwendet und kann Hochfrequenzenergie abstrahlen und kann, wenn es nicht gemäß den Anweisungen installiert und verwendet wird, schädliche Störungen des Funkverkehrs verursachen. Es wird jedoch nicht garantiert, dass bei einer bestimmten Installation keine Störungen auftreten. Wenn dieses Gerät tatsächlich schädliche Störungen des Radio- oder Fernsehempfangs verursacht, die durch Ein- und Ausschalten des Geräts festgestellt werden können, wird dem Benutzer empfohlen, die Störung durch eine oder mehrere der folgenden Maßnahmen zu beheben:

- *Richten Sie die Empfangsantenne neu aus oder verlegen Sie sie.*
- *Vergrößern Sie den Abstand zwischen dem Gerät und dem Empfänger.*
- *Schließen Sie das Gerät an eine Steckdose in einem anderen Stromkreis als den an, an den der Empfänger angeschlossen ist.*
- *Konsultieren Sie den Händler oder einen erfahrenen Radio-/Fernsehtechniker um Hilfe.*
- *Um die FCC-Richtlinien zur Hochfrequenzexposition zu erfüllen, sollte während des Betriebs des Geräts ein Abstand von 20 cm oder mehr zwischen der Antenne des Geräts und Personen eingehalten werden. Um die Einhaltung sicherzustellen, wird empfohlen, keine näheren Abstände als diesen zu betreiben.*

WARNUNG bei Knopfzellen- oder Münzbatterien:

- a) Entfernen Sie gebrauchte Batterien und recyceln oder entsorgen Sie diese sofort gemäß den örtlichen Vorschriften und halten Sie sie von Kindern fern.
- b) Entsorgen Sie Batterien nicht im Hausmüll oder durch Verbrennung.
- c) Auch gebrauchte Batterien können schwere Verletzungen oder den Tod verursachen.

d) Rufen Sie ein örtliches Giftinformationszentrum an, um Behandlungsinformationen zu erhalten.

e) Batterietyp: CR2032.

f) Nennspannung: 3.0 Vdc.

g) Nicht wiederaufladbare Batterien dürfen nicht aufgeladen werden.

h) Erzwingen Sie kein Entladen, Wiederaufladen, Zerlegen, Erhitzen über die vom Hersteller angegebene Temperaturgrenze hinaus oder Verbrennen. Dies kann zu Verletzungen durch Entlüftung, Leckage oder Explosion führen, die chemische Verbrennungen verursachen.

i) Das Produkt enthält nicht austauschbare Knopfzellen.



EG-Konformitätserklärung

Wir:
Zhejiang Sunseeker Industrial Co., Ltd.
988 Jinde Rd. Jiangdong Industrial Park, Jinhua, Zhejiang 321000 P.R. CHINA

Erklärt und übernimmt die Haftung dafür, dass das Produkt:

Markenname: SUNSEEKER

Produktname: Roboter-Rasenmäher

Modell: RMX1600L20V, RMX2000L20V, RMX2500L20V, RMX1602N20V, RMX2002N20V, RMX2502N20V

Der oben beschriebene Gegenstand der Erklärung entspricht den folgenden EU-Richtlinien:

1. Richtlinie über Funkanlagen (2014/53/EU)
2. Maschinenrichtlinie (2006/42/EG)
3. RoHS-Richtlinie (2011/65/EU) und geänderter Richtlinie ((EU)2015/863)
4. Lärmschutzrichtlinie (Anhang III der 2000/14/EG, geändert durch 2005/88/EG)
 - Schalldruckpegel LpA: 52 dB (A), Unsicherheiten des Schalldrucks KpA: 3 dB (A)
 - Angegebener garantierter Schalleistungspegel: 60 dB (A), Schalleistungsunsicherheiten KWA: 3 dB (A)

Die Konformität mit diesen Richtlinien wurde für dieses Produkt durch Nachweis der Einhaltung der folgenden harmonisierten Normen und/oder technischen Spezifikationen bewertet:

EN 50636-2-107: 2015+A1:2018+A2: 2020+A3: 2021

EN 60335-1:2012+A11:2014+A13:2017+A1:2019+A2:2019+A14:2019+A15:2021

EN IEC 55014-1:2021

EN IEC 55014-2:2021

EN IEC 61000-3-2:2019+A1:2021

EN 61000-3-3:2013+A1:2019+A2:2021

EN 301 489-1 V2.2.3

EN 301 489-3 V2.3.2

EN 301 489-17 V3.2.4

EN 301 489-19 V2.2.1

EN 301 489-52 V1.2.1

EN 301 511 V12.5.1

EN 301 908-1 V15.2.1

EN 301 908-13 V13.2.1

EN 303 413 V1.2.1

EN 300 220-2 V3.1.1

EN 300 328 V2.2.2

EN 62311:2008

EN IEC 62311:2020

EN 62321-1:2013

EN IEC 62321-2:2021

EN 62321-3-1:2014

EN 62321-8:2017

EN 62321-4:2014 /A1:2017

EN 62321-5:2014

EN 62321-7-1:2015

EN 62321-7-2:2017

EN 62321-6:2015

EN 62321-8:2017

EN ISO 11094:1991

EN ISO 3744:1995

EN ISO 3744:2010

Informationen zur RF-Exposition

Dieses Gerät wurde getestet und erfüllt die geltenden Grenzwerte für die Radiofrequenz (RF)-Exposition.

Dieses Gerät muss gemäß den Anweisungen installiert und betrieben werden, und die für diesen Sender verwendete Antenne(n) muss(en) so installiert werden, dass ein Trennabstand von mindestens 20 cm zu allen Personen besteht und die Antenne(n) nicht zusammen mit anderen Antennen oder Sendern betrieben wird.

Unterzeichnet für und im Namen von: Zhejiang Sunseeker Industrial Co., Ltd.

Ort: Jinhua, Zhejiang P.R. CHINA Datum: 09-07-2024

Name: Harry Ran Titel: Chefingenieur

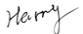
Unterschrift: 

Table des Matières

1. Sécurité et instructions	52
1.1 Généralités	52
1.2 Consignes de sécurité générales	52
1.3 Consignes de sécurité pour l'installation	53
1.4 Consignes de sécurité pour l'utilisation quotidienne	54
1.5 Consignes de sécurité pour la maintenance	54
1.6 Information de sécurité relative aux batteries	54
2. Symboles et étiquettes	54
3. Contenu et caractéristiques techniques	55
3.1 Contenu de l'emballage	55
3.2 Composants et fonctions	56
4. Installation	58
4.1 Préparatifs	59
4.2 Installation de la station de charge	59
4.3 Installation de la station de base RTK	59
4.4 Chargement et mise en marche de la tondeuse	60
4.5 Connexion de l'App	61
5. Fonctionnement quotidien	62
5.1 Affichage et contrôle sur la tondeuse	62
5.2 Modification du code PIN	62
5.3 IdO	63
5.4 Détection d'obstacles	63
6. Maintenance	64
6.1 Nettoyage	64
6.2 Changement des lames	65
6.3 Transport	66
6.4 Batterie	66
6.5 Alimentation électrique	67
6.6 Stockage	67
6.7 Recyclage et mise au rebut	68
7. FAQ et dépannage	69
7.1 Messages d'erreur	69
7.2 Dépannage	70
8. Informations importantes	71
8.1 Confidentialité des données	71
8.2 Garantie limitée	71
8.3 Clause de non-responsabilité	71

1. Sécurité et instructions

1.1 Généralités

IMPORTANT
LISEZ ATTENTIVEMENT CE MANUEL AVANT
L'UTILISATION
GARDEZ-LE POUR RÉFÉRENCE ULTÉRIEURE

Utilisation conforme

Cet outil de jardin est uniquement destiné à la tonte de pelouse, permettant de couper automatiquement l'herbe dans le jardin à tout moment de la journée. Toute autre utilisation imprévue risque d'entraîner des dangers, de blesser des personnes et/ou d'endommager des biens. Il est impératif de respecter strictement les instructions spécifiées afin de garantir la sécurité et d'éviter les accidents.

Utilisation non conforme

Cet outil de jardin n'est pas destiné à être utilisé par des enfants, des personnes à mobilité réduite, des personnes avec un handicap sensoriel ou mental, ou des incompetents, à moins qu'ils ne soient surveillés ou instruits sur l'utilisation de l'appareil par une personne responsable de leur sécurité.

Les utilisations inappropriées comprennent, sans s'y limiter : les déplacements des personnes, des enfants ou des animaux sur l'appareil ; le transport par l'appareil ; l'utilisation de l'appareil pour tirer ou pousser des charges, ainsi que pour couper la végétation non herbacée.

Risques résiduels - Pour éviter les blessures, portez des gants de protection et des lunettes de protection lors du remplacement des lames.

Ne rallongez pas le câble entre l'unité d'alimentation et la station de charge.



AVERTISSEMENT

- Ne touchez pas les pièces dangereuses en mouvement avant leur arrêt complet.
- Éloignez tous les câbles (alimentation, rallonge, etc.) et l'unité d'alimentation de la zone de coupe afin de les maintenir à distance des pièces dangereuses en mouvement et d'éviter d'endommager les câbles qui pourraient entrer en contact avec des pièces sous tension. Le non-respect de ces instructions peut causer des blessures graves, voire mortelles.
- Tondeuse à gazon automatique ! Ne vous approchez pas de l'appareil ! Les enfants doivent être surveillés !
- Conservez tous les avertissements et instructions pour référence ultérieure.
- Lisez tous les avertissements de sécurité, instructions, illustrations et caractéristiques techniques fournis avec cet appareil. Le non-respect de toutes les instructions ci-dessous peut entraîner un choc électrique, un incendie et/ou des blessures graves.

1.2 Consignes de sécurité générales

Sécurité de la zone de travail

A. N'utilisez pas l'appareil dans les atmosphères explosives, comme en présence de liquides, gaz ou poussière inflammables. Les étincelles créées par les appareils peuvent enflammer les poussières ou les fumées.

B. Lisez attentivement les instructions. Maîtrisez les commandes et l'utilisation correcte de l'appareil.

C. Ne confiez jamais l'utilisation de cet appareil à des personnes ne connaissant pas ces instructions ou à des enfants. Les réglementations locales peuvent définir l'âge minimum requis pour utiliser cet appareil.

D. L'opérateur ou l'utilisateur est responsable des accidents ou des dangers pouvant survenir à d'autres personnes ou à leurs professionnels.

Sécurité électrique

A. Les fiches électriques doivent correspondre aux prises. Ne modifiez jamais la fiche de quelque manière que ce soit. N'utilisez aucune fiche de chargeur avec des appareils mis à la terre. Des fiches non modifiées et des prises correspondantes réduiront les risques de choc électrique.

B. Évitez tout contact corporel avec des surfaces mises à la terre, telles que des tuyaux, des radiateurs, des cuisinières et des réfrigérateurs. Si un corps humain devient un passage pour que l'électricité retourne à la terre, le risque de choc électrique augmente.

C. N'abusez pas des câbles d'alimentation. N'utilisez jamais le câble d'alimentation pour transporter, tirer ou débrancher l'appareil. Tenez le câble d'alimentation à l'écart de la chaleur, de l'huile, des bords tranchants ou des pièces en mouvement. Les câbles d'alimentation endommagés ou emmêlés augmentent le risque de choc électrique.

D. Si l'utilisation de cet appareil dans un endroit humide est inévitable, utilisez une alimentation protégée par un dispositif différentiel à courant résiduel (DDR). L'utilisation d'un DDR réduit le risque de choc électrique.

E. Veillez à ce que le système de délimitation automatique du périmètre soit correctement installé, conformément aux instructions.

F. Inspectez régulièrement la zone d'utilisation de l'appareil et enlevez toutes les pierres, branches, fils, os et autres obstacles étrangers.

G. Vérifiez régulièrement que les lames, les boulons de lame et l'ensemble du dispositif de coupe ne sont pas usés ou endommagés.

H. Attention aux appareils à multi-broches, car la rotation d'une lame peut entraîner la rotation des autres.

Sécurité personnelle

A. Ne laissez pas des personnes ne connaissant pas l'appareil ou ces instructions utiliser l'appareil. Les appareils sont dangereux pour les utilisateurs non formés.

B. Restez vigilant en toutes circonstances lors de l'utilisation de cet appareil. N'utilisez pas l'appareil si vous êtes fatigué ou sous l'influence de drogues, d'alcool ou de médicaments. Une attention constante lors de l'utilisation est nécessaire pour éviter des blessures graves.

C. Retirez toute clef de réglage ou clé avant de mettre l'appareil en marche. Toute clé ou clef laissée sur une pièce rotative de l'appareil peut entraîner des blessures corporelles.

D. Pour contrôler l'appareil manuellement, gardez toujours une bonne assise et un bon équilibre. Cela permet un meilleur contrôle de l'appareil dans des situations inattendues.

E. Même connaissant bien l'utilisation de l'appareil, restez vigilant : les risques sont toujours présents. Il suffit d'une seconde d'inattention pour que des blessures graves se produisent.

Utilisation et entretien de l'appareil

A. Débranchez la fiche de la source d'alimentation et/ou retirez la batterie (si amovible) de l'appareil ou d'autre appareils avant d'effectuer des réglages, de changer d'accessoires ou de ranger l'appareil. Ces mesures de sécurité préventives réduisent le risque de démarrage accidentel.

B. Entretenez les appareils et les accessoires. Vérifiez si les pièces en mouvement sont mal positionnées, coincées, cassées ou présentent d'autres conditions susceptibles d'affecter le fonctionnement de l'appareil. En cas d'endommagement, faites réparer l'appareil avant toute utilisation. De nombreux accidents sont causés par des appareils et des accessoires mal entretenus.

C. Utilisez l'appareil et les accessoires selon ces instructions, en tenant compte des conditions de travail et du travail à effectuer. L'utilisation de l'appareil pour des opérations différentes de celles prévues peut entraîner une situation dangereuse.

D. N'utilisez jamais l'appareil avec des protections défectueuses, ou sans dispositifs de sécurité.

E. Ne mettez pas les mains ou les pieds à proximité ou sous les pièces en rotation. Restez toujours à l'écart de l'ouverture de décharge.

F. Ne soulevez ou ne portez jamais l'appareil lorsque le moteur est en marche.

G. Activez le verrouillage de l'appareil / mettez l'appareil en position « LOCK ».
- avant d'éliminer une obstruction ;
- avant de contrôler, nettoyer ou utiliser l'appareil.

H. Ne laissez pas l'appareil fonctionner sans surveillance en présence d'animaux domestiques, d'enfants ou de personnes à proximité.

Services

A. Faites entretenir l'appareil par un réparateur qualifié en utilisant uniquement des pièces de rechange identiques. Cela permet de garantir la sécurité de l'appareil.

B. Veillez à ce que tous les écrous, boulons et vis soient bien serrés pour que l'appareil soit en bon état de service.

C. Vérifiez fréquemment si le bac de ramassage est usé ou détérioré.

D. Remplacez les pièces usées ou endommagées pour des raisons de sécurité.

E. Assurez-vous que les lames correctes sont remplacées.

F. Veillez à ce que les batteries soient chargées à l'aide du chargeur recommandé par le fabricant. Une utilisation incorrecte peut provoquer un choc électrique, une surchauffe ou une fuite de liquide corrosif de la batterie.

G. En cas de fuite d'électrolyte, rincez avec de l'eau ou un agent neutralisant, consultez un médecin en cas de contact avec les yeux, etc.

H. Entretenez l'appareil selon les instructions du fabricant.

Utilisation et entretien des outils sur batterie

A. Rechargez uniquement avec le chargeur spécifié par le fabricant. L'utilisation d'un chargeur conçu pour un type de batterie spécifique avec un autre type de batterie peut entraîner un incendie.

B. N'utilisez des outils électriques qu'avec des batteries spécifiquement désignées. L'utilisation de toute autre batterie peut créer un risque de blessure et d'incendie.

C. Lorsque la batterie n'est pas utilisée, tenez-la éloignée d'autres objets métalliques, tels que des trombones, des pièces de monnaie, des clefs, des clous, des vis ou d'autres petits objets métalliques, qui peuvent établir une connexion d'une borne à une autre. Un court-circuit entre les bornes d'une batterie peut provoquer des brûlures ou un incendie.

D. Dans des conditions abusives, du liquide peut être éjecté de la batterie ; évitez tout contact. En cas de contact accidentel, rincez avec de l'eau. Si le liquide entre en contact avec les yeux, consultez également un médecin. Le liquide éjecté de la batterie peut provoquer des irritations ou des brûlures.

E. N'utilisez pas de batteries ou d'outils endommagés ou modifiés. Les batteries endommagées ou modifiées risquent d'entraîner un incendie, une EXPLOSION ou des blessures.

F. N'exposez pas des batteries ou des outils au feu ou à une température excessive. L'exposition au feu ou à une température supérieure à 130 °C peut provoquer une explosion.

G. Suivez toutes les instructions de charge, et ne chargez pas la batterie ou l'outil en dehors de la plage de température spécifiée dans les instructions. Une charge incorrecte ou à des températures en dehors de la plage spécifiée peut endommager la batterie et augmenter le risque d'incendie.

1.3 Consignes de sécurité pour l'installation

A. Évitez d'installer la station de charge, y compris tous les accessoires, au-dessous des matières combustibles, et maintenez une distance minimale de sécurité de 60 cm entre la station de charge et tout matériau inflammable. En cas de panne, la station de charge et l'alimentation électrique risquent de surchauffer, entraînant un incendie.

B. Ne placez pas l'alimentation électrique à une hauteur où elle risque de tomber dans l'eau. Ne posez pas l'alimentation électrique sur le sol.

C. N'emballez pas l'alimentation électrique. Le condensat de l'eau peut endommager l'alimentation électrique et augmenter le risque de choc électrique.

D. Applicable aux États-Unis et au Canada. Si l'alimentation électrique est installée à l'extérieur : Risque de choc électrique. Installez uniquement dans des prises (DDR) de classe A DDFT couvertes par des boîtiers étanches permettant d'insérer ou de retirer les couvercles des fiches accessoires.

E. N'installez pas la station de charge dans un endroit où il y a un risque d'eau stagnante.

1.4 Consignes de sécurité pour l'utilisation quotidienne

- A.** Gardez vos mains et vos pieds à l'écart des lames en rotation. Ne mettez pas vos mains ou vos pieds à proximité ou en dessous de l'appareil lorsqu'il est réglé sur ON.
- B.** En cas de présence de personnes, en particulier d'enfants ou d'animaux, dans la zone de travail, utilisez le mode parking ou mettez l'appareil en position OFF.
- C.** Vérifiez l'absence d'objets tels que des pierres, des branches, des outils ou des jouets sur la pelouse. Les lames peuvent être endommagées si elles heurtent un objet.
- D.** Ne soulevez pas l'appareil et ne le déplacez pas lorsqu'il est réglé sur ON.
- E.** Évitez que l'appareil n'entre en collision avec des personnes ou des animaux. En cas de présence d'une personne ou d'un animal sur le chemin de l'appareil, arrêtez immédiatement l'appareil.
- F.** Ne placez pas d'objets sur l'appareil ou sur la station de charge.
- G.** N'utilisez pas l'appareil si le bouton STOP ne fonctionne pas.
- H.** Réglez toujours l'appareil sur OFF lorsqu'il n'est pas utilisé.
- I.** N'utilisez pas simultanément l'appareil et un arroseur pop-up. Utilisez en même temps la fonction de programmation.
- J.** Ne laissez pas le produit fonctionner lorsqu'il y a de l'eau stagnante dans la zone de travail, par exemple des flaques d'eau suite à de fortes pluies.

1.5 Consignes de sécurité pour la maintenance

- A.** Réglez l'appareil sur OFF lors de la maintenance.
- B.** N'utilisez pas de nettoyeurs haute pression pour nettoyer l'appareil. N'utilisez pas de solvants pour nettoyer l'appareil.
- C.** Débranchez la prise de la station de charge avant de la nettoyer ou d'effectuer des travaux d'entretien.

1.6 Information de sécurité relative aux batteries

En cas de démontage, de court-circuit ou d'exposition à l'eau, au feu ou à des températures élevées, les batteries lithium-ion présentent un risque d'explosion ou d'incendie. Manipulez les batteries avec précaution. Évitez de les démonter ou ouvrir, et respectez strictement les consignes de sécurité électrique/mécanique. Éviter le stockage en plein soleil.

2. Symboles et étiquettes






Ces symboles se trouvent sur l'appareil. Veuillez les lire attentivement.

	AVERTISSEMENT : Lisez les instructions avant d'utiliser l'appareil.
	AVERTISSEMENT : Désactivez l'appareil avant de le manipuler ou soulever. Ne touchez jamais les lames en rotation.
	AVERTISSEMENT : Gardez une distance de sécurité par rapport à l'appareil lorsqu'il fonctionne. Tenez les autres personnes à l'écart de la zone dangereuse.
	AVERTISSEMENT : Ne montez pas sur l'appareil.
	Utilisez une alimentation amovible comme défini sur l'étiquette d'évaluation à côté du symbole.
	Marquage CE.
	Niveau de puissance acoustique, déterminé par la directive européenne sur le bruit extérieur. Les niveaux de bruit émis par le produit sont indiqués dans la section Caractéristiques techniques à la page 6 et sur la plaque signalétique.
	Ne jetez pas cet appareil avec les ordures ménagères. Veillez à ce que l'appareil soit recyclé conformément aux dispositions légales locales.
	Classe III
	CC









Symboles sur la batterie

	Lisez les instructions de l'utilisateur.
	Ne jetez pas la batterie au feu et ne l'exposez pas à une source de chaleur.
	Évitez d'immerger la batterie dans l'eau.
	Marque de recyclage.
	Il n'est pas permis de jeter cette batterie avec les ordures ménagères. Veillez à ce que la batterie soit recyclée conformément aux dispositions légales locales.

Symboles sur le chargeur

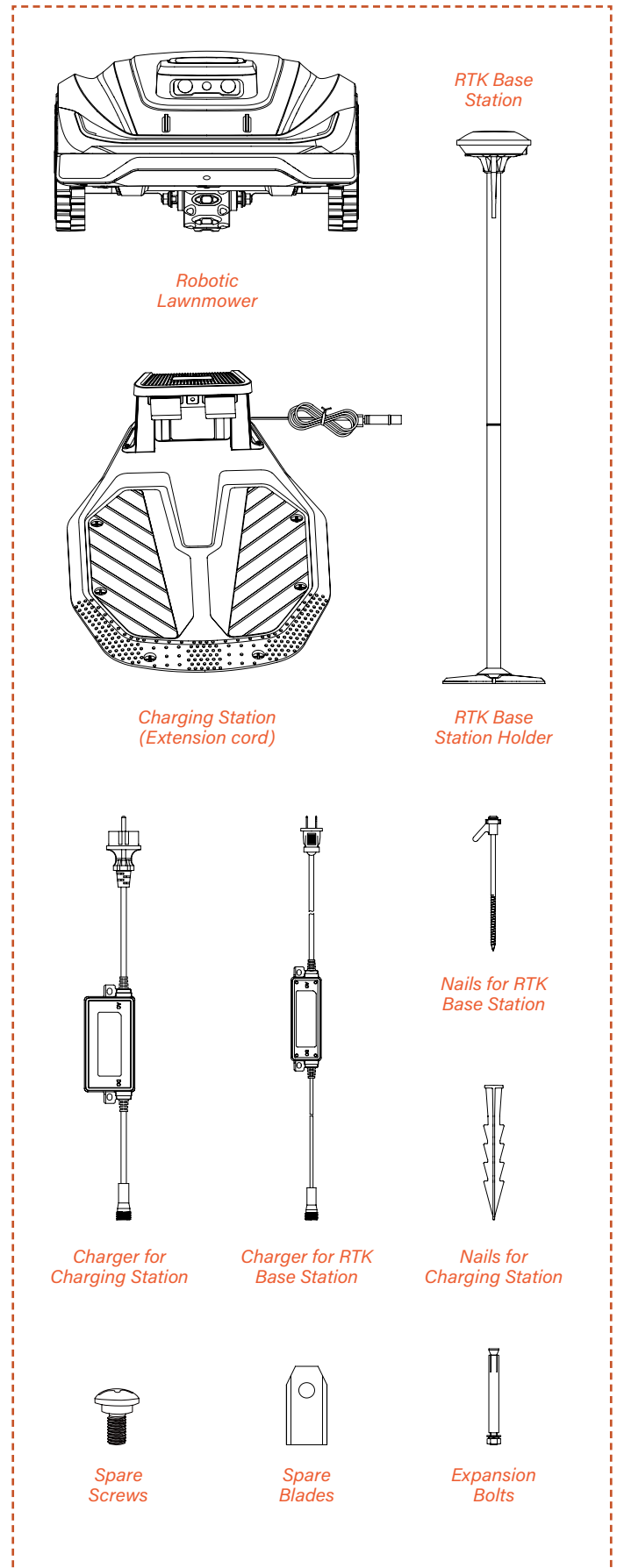
	Lisez les instructions de l'utilisateur.
T3.15A 	Remplacez les fusibles en fonction de leur valeur nominale.
T2A 	Remplacez les fusibles en fonction de leur valeur nominale.
	Classe de protection II.
	Ne la mettez pas au rebut avec d'autres déchets. Envoyez-la à des centres de tri pour qu'elle soit récupérée ou recyclée conformément aux exigences légales locales.

Symboles sur l'écran du robot

	Allumer/éteindre
	Bouton de démarrage
	Bouton d'accueil
	Bouton Ok
	Configuration du code PIN
	Réglage de l'heure
	Bluetooth
	Wi-Fi

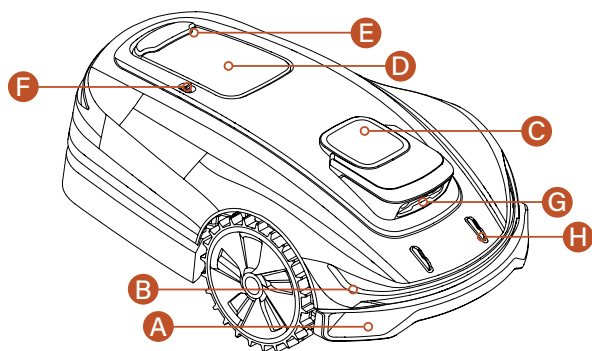
3. Contenu et caractéristiques techniques

3.1 Contenu de l'emballage

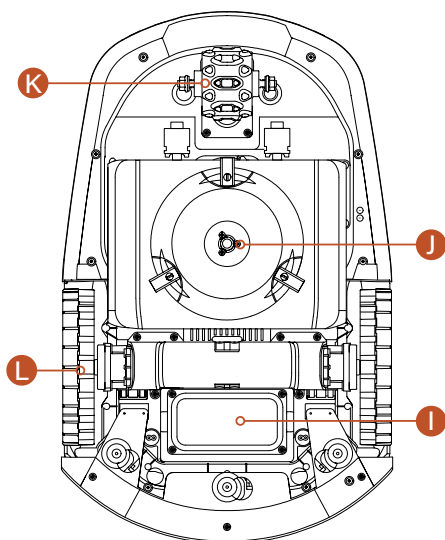


3.2 Composants et fonctions

Vue du haut



Vue de dessous



H - Électrodes de charge - Les électrodes de charge de l'appareil se connectent aux électrodes de la station de charge pour charger la batterie de l'appareil.

I - Compartiment de la batterie - Emplacement de la batterie.

J - Plateau de coupe rotatif - Le dispositif permet de tailler la pelouse lorsque l'appareil est en marche.

K - Moteur du moyeu de roue - Le dispositif de contrôle de direction et d'alimentation électrique garantit excellentement le fonctionnement.

L - Roues motrices - Avec la puissance de sortie, elles s'adaptent bien à tous types de terrains.

REMARQUE

Évitez de plonger l'appareil dans l'eau, sinon il risque d'endommager les composants et d'annuler la garantie pendant la période spécifiée.

A - Pare-chocs - En l'absence de positionnement visuel, le pare-chocs peut garantir le fonctionnement normal de l'appareil.

B - Voyants LED - LED sur la tondeuse indiquent l'état de fonctionnement de l'appareil.

C - Antenne de positionnement RTK - Le dispositif de positionnement interactif est destiné à la station de base RTK, à l'appareil et aux satellites.

D - Panneau de commande - Le panneau permet d'allumer et d'éteindre l'appareil, de commander le fonctionnement ou le retour de l'appareil, etc.

E - Bouton STOP - Le bouton d'arrêt d'urgence permet d'arrêter l'appareil en cas de situation urgente.

F - Capteur de pluie - Le capteur de pluie peut détecter la pluie; et l'appareil peut ainsi retourner automatiquement à la station de charge selon les réglages de l'utilisateur pour éviter la pluie.

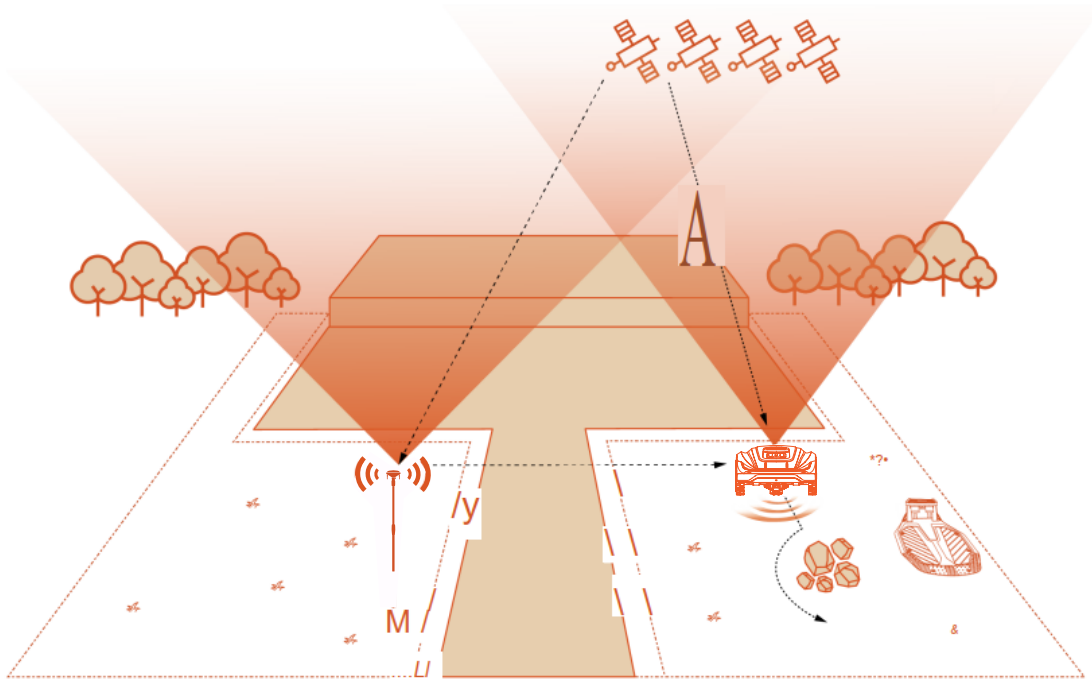
G - Caméra binoculaire - La caméra binoculaire assistée par l'IA aide la tondeuse à détecter et à éviter les obstacles.

3.3 Caractéristiques techniques

Caractéristiques techniques	X5-2000 RMX2000L20V
Câble périphérique	Sans fil / sans délimitation
Zone de tonte max.	2000 m ²
Hauteur de coupe min/max	20-60mm
Réglage de la hauteur	Manual
Largeur de coupe	22 cm
Capacité de la batterie	5 Ah
Interface utilisateur	App & clavier de commande
Pente maximale	30° (60%)
Dimensions du robot	680*420*275 cm
Certificats	CE RoHS
Poids net	11.8 kg
Niveau de puissance acoustique LWA	60dB (A)
Incertitudes de puissance acoustique KWA	3 dB(A)
Niveau de pression acoustique LpA	52dB (A)
Incertitudes de puissance acoustique KpA	3 dB(A)
CARACTÉRISTIQUES	
Wi-Fi / Bluetooth	▪
Cartographie intelligente	▪
Planification de trajectoire	3 options
VSLAM	▪
Super Wi-Fi	▪
FOTA	▪
Retour rapide à la station de charge	▪
Roues AWD (toutes roues motrices)	3 roues
Carte des jardins sur l'APP	▪
Multi-zones	Jusqu'à 8
Programme de travail (configuré dans l'App)	Réglage automatique ou manuel via l'App
Capteur de chocs	▪
Lavage à l'eau	▪
Antivol : par GPS + 4G*	○
Assistant Google et Amazon Alexa	▪
Code PIN	▪
Capteur de levage et d'inclinaison	▪
Capteur de pluie	▪
Mode éco	▪
Phares LED	▪
ACCESSOIRES	
Clous de fixation de la base	8 pcs
Chargeur	3 A (CGF253)
Alimentation électrique	1.1 A (CGF251)/2 A (CGF152)

4. Installation

La technologie de positionnement par satellite à fréquence complète RTK aide la tondeuse à acquérir des informations de localisation de haute précision. Grâce à la technologie VSLAM et Sunseeker AIR (Artificial Intelligence Recognition), le robot tondeuse peut cartographier son environnement et planifier sa navigation, assurant ainsi une tonte parfaite même dans les environnements complexes. La combinaison de matériel et de logiciel avancés (algorithmes intelligents) de Sunseeker permet à la tondeuse d'analyser son environnement avec une grande précision, d'optimiser ses mouvements et d'assurer une qualité de coupe exceptionnelle. Simulant le fonctionnement du cerveau humain, les algorithmes avancés de Sunseeker sont capables de traiter les informations recueillies par les systèmes RTK (cinématique en temps réel), VSLAM (localisation et cartographie visuelles simultanées), IMU (unité de mesure inertielle) et les odomètres, pour optimiser la méthode de reconnaissance des environnements dans toutes sortes de conditions. Grâce au positionnement en temps réel, rendu possible par la réception des satellites à fréquence complète, la technologie RTK de Sunseeker permet de délimiter virtuellement la zone de tonte sans avoir recours aux câbles périphériques traditionnels. À l'intérieur de la zone délimitée virtuellement, la tondeuse peut planifier des trajectoires de tonte avec une grande précision et une grande efficacité, et ainsi atteindre une couverture de tonte optimale.



4.1 Préparatifs

Préparer la pelouse

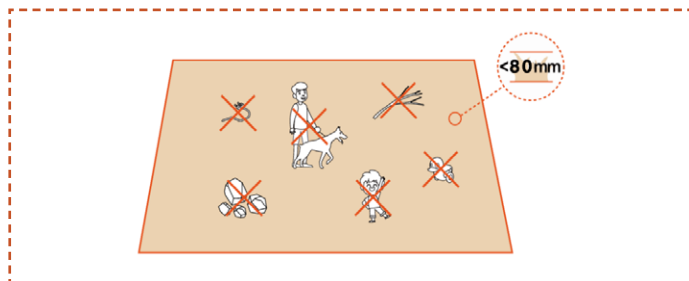
A. Éliminez les débris, les tas de feuilles, les jouets, les câbles, les pierres et autres obstacles.

B. Pour des raisons de sécurité, veuillez vous assurer que les enfants et les animaux domestiques ne se trouvent pas sur la pelouse.

C. Avant d'utiliser le robot tondeuse, tondez la pelouse à une hauteur de 80 mm maximum.

D. La surface totale de la pelouse varie de 2000 m².

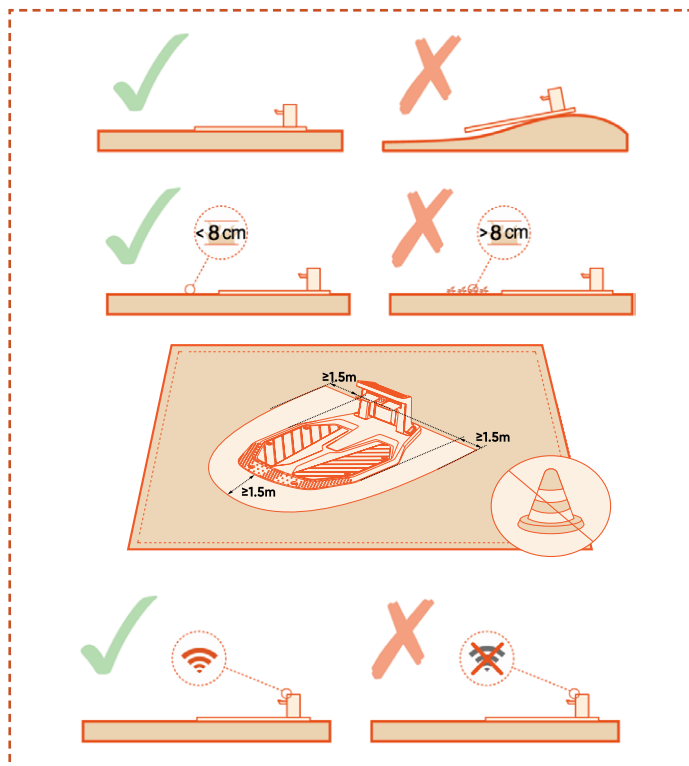
Les types de pelouse recommandés sont ceux indiqués dans les images ci-dessous :



4.2 Installation de la station de charge

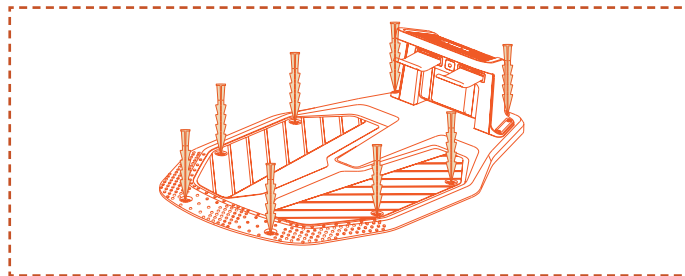
Trouver un emplacement approprié

Assurez-vous que le robot tondeuse peut sortir de la station de charge et y retourner sans problème. Installez la station de charge dans un endroit dégagé, plat et connecté au réseau Wi-Fi. Il ne doit pas y avoir d'obstacles à moins de 1,5 m devant la station de charge. La hauteur de l'herbe, si elle existe, doit être inférieure à 8 cm.

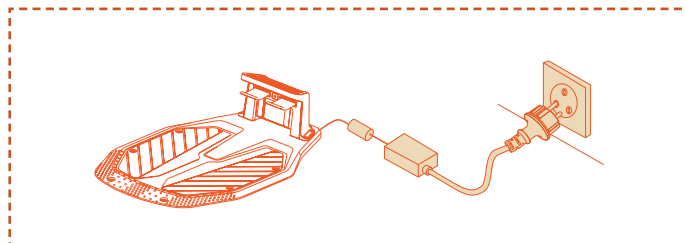


Installer la station de charge

A. Fixez la station de charge sur un sol plat et stable.



B. Débranchez le câble d'alimentation de la source d'alimentation. En cas d'une longue distance entre la station de charge et l'alimentation électrique, assurez-vous que le câble d'alimentation soit correctement fixé au sol et au mur pour assurer la sécurité d'utilisation.

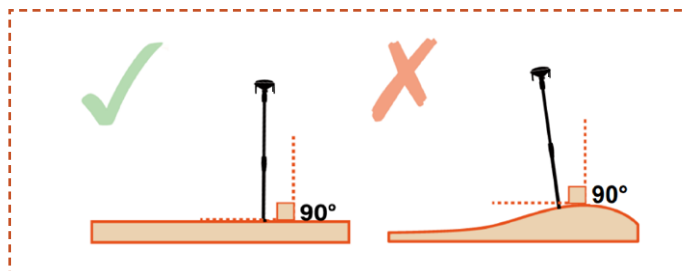


C. En l'absence d'un espace totalement ouvert, assurez-vous au minimum une vue dégagée vers le sud (dans l'hémisphère nord) ou vers le nord (dans l'hémisphère sud). Essayez de garder les côtés est et ouest libres de tout obstacle.

4.3 Installation de la station de base RTK

Trouver un emplacement approprié

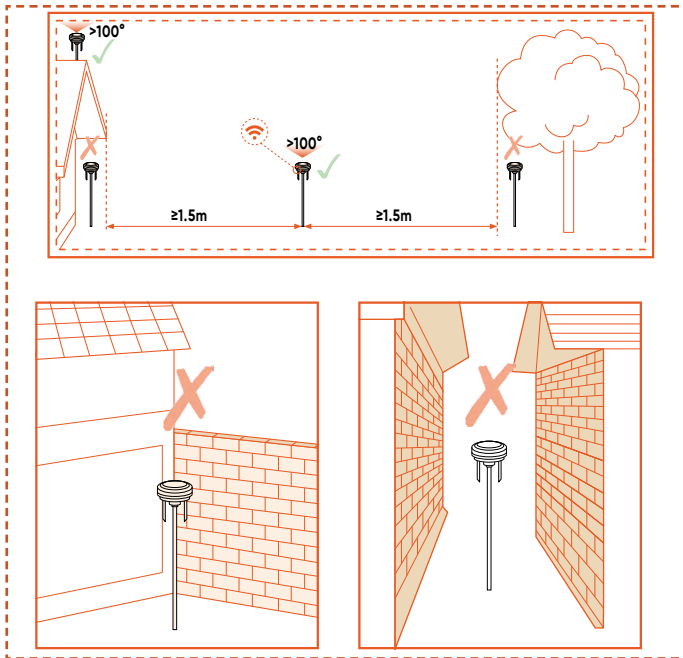
A. Dressez la station de base RTK. N'installez pas la station de base RTK sur une pente.



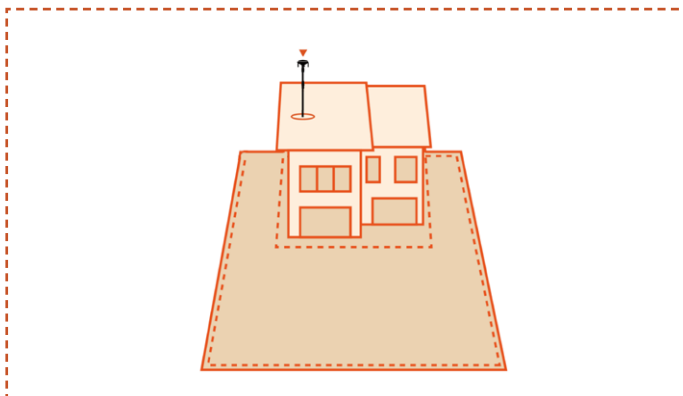
B. L'emplacement doit être couvert par le réseau Wi-Fi de votre domicile.

C. Afin de garantir une bonne réception des signaux satellites, installez la station dans un espace dégagé et plat, exempt d'obstacles, et offrant un angle d'élévation minimum de 100 degrés.

D. La distance entre la station de base RTK et les murs/arbres doit dépasser 1,5 m.



E. Pour les pelouses séparées ou en forme de « O » ou de « U », il est recommandé d'installer la station de base RTK sur le toit ou sur le mur.



F. En l'absence d'un espace totalement ouvert, assurez-vous au minimum une vue dégagée vers le sud (dans l'hémisphère nord) ou vers le nord (dans l'hémisphère sud). Essayez de garder les côtés est et ouest libres de tout obstacle.

Installer la station de base RTK

- Installez la station de base RTK à l'aide des clous dans un endroit où la source d'alimentation est accessible.
- Connectez la rallonge et le chargeur à la station de base RTK.
- Branchez la station de base RTK sur la source d'alimentation.

Vérifier les signaux satellites



Voyant de localisation

- Vert permanent : Bonne qualité des signaux satellites à cet endroit.
- Orange permanent : Faibles signaux satellites à cet endroit ; il est recommandé de relocaliser la station de base dans un endroit avec meilleurs signaux et exempté d'obstacles.
- Rouge permanent : Très faibles signaux satellites à cet endroit ; il est impératif de relocaliser la station de base dans un endroit avec meilleurs signaux et exempté d'obstacles.

Voyant Wi-Fi

- Vert permanent : Connexion Wi-Fi et accès au serveur établi
- Vert clignotant : Connexion Wi-Fi en cours ou non connecté au serveur
- Voyant vert éteint : Wi-Fi non connecté

Voyant Super Wi-Fi

- Vert permanent : Communication normale
- Vert clignotant : Appairage en cours
- Voyant vert éteint : Anomalie de communication

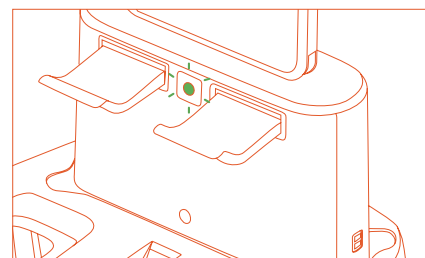
Voyant d'alimentation

- Vert permanent : Anomalie d'alimentation
- Vert clignotant : Alimentation normale
- Voyant vert éteint : Hors tension

4.4 Chargement et mise en marche de la tondeuse

Charger la tondeuse

Poussez la tondeuse dans la station de charge en veillant à ce que les électrodes de charge soient correctement connectées. Le clignotement du voyant vert de la station de charge indique une charge normale.

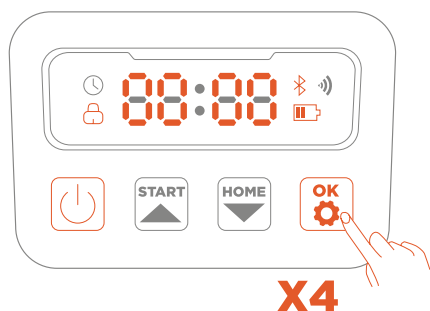


Mettre la tondeuse en marche

A. Appuyez longuement sur le bouton de mise en marche et entrez le mot de passe. Le code PIN par défaut est « 0000 ». Après avoir entré « 0 », appuyez sur le bouton OK pour terminer le réglage.

B. Lors de la saisie du mot de passe, utilisez le bouton de démarrage comme touche plus (+) et le bouton d'accueil comme touche moins (-).

C. Pour modifier le mot de passe, appuyez longuement sur le bouton de démarrage et le bouton d'accueil en même temps.



Remarque

Si le voyant reste éteint alors que l'alimentation électrique est correcte, veuillez contacter le service clientèle.



Attention

- Ne faites pas tomber les chargeurs sur le sol à l'intérieur des limites virtuelles.
- Si la station de charge est installée à l'intérieur des limites virtuelles, fixez la rallonge de la station de charge au sol pour assurer le bon fonctionnement de la tondeuse.



AVERTISSEMENT

- Ne chargez pas le robot tondeuse si l'appareil, le chargeur, la station de charge ou la prise de courant sont endommagés.
- Ne chargez pas la tondeuse lorsque la température ambiante est supérieure à 40 °C (104 °F) ou inférieure à 5 °C (41 °F). Aucun chargement n'aura lieu si les températures limites sont dépassées.
- En cas de présence anormale d'une odeur, d'un son ou d'une lumière, arrêtez immédiatement le rechargement.
- Évitez de charger l'appareil à proximité de matériaux inflammables ou explosifs.

4.5 Connexion de l'App

REMARQUE

Les illustrations suivantes concernant l'App ne sont données qu'à titre de démonstration. Les options disponibles peuvent varier en fonction de la version du logiciel.

Comment utilisez l'App de Sunseeker

A. Assurez-vous que l'appareil se trouve sur la station de charge et qu'il est correctement chargé.

B. Pour configurer, scannez le code QR et téléchargez l'App Robotic Mower, ou recherchez « Robotic Mower » dans le Google Play Store (Android) ou l'Apple App Store (iOS).



iOS



Android



C. Créez un nouveau compte et connectez-vous. Activez le Bluetooth et le Wi-Fi de votre téléphone. Scannez le code QR SN de l'appareil pour ajouter votre robot tondeuse. Une fois le jumelage réussi, entrez le mot de passe par défaut de l'appareil « 0000 ». Les mots de passe peuvent être modifiés sur le téléphone.

D. Configurez votre Wi-Fi pour l'appareil dans l'App. L'appareil et le téléphone portable doivent être reliés au même réseau Wi-Fi. Saisissez le nom et le mot de passe de votre réseau Wi-Fi.

E. Connectez l'appareil au réseau Wi-Fi. Une fois la connexion réussie. Une fois la connexion réussie, l'icône Wi-Fi du robot et de l'APP s'allume.

F. Nommez votre robot.

REMARQUE

Le cas échéant, l'App demande l'accès au Bluetooth et au réseau Wi-Fi, afin d'assurer une installation correcte et une fonctionnalité future, en accordant l'accès à ces fonctions.

Utiliser l'App Robotic Mower pour

A. Associer et activer la tondeuse.

B. Créer une cartographie (zone de travail)

C. Surveiller l'état et la progression du travail de la tondeuse, et contrôler à distance ses opérations telles que le démarrage, l'arrêt ou le retour à la station de charge.

D. Visualiser et modifier les paramètres de travail de la tondeuse (programme de tonte, hauteur de coupe, gestion des cartographies).

E. Visualiser et modifier les paramètres de sécurité/ fonctionnement de la tondeuse (code PIN, arrêt de la lame, etc.).

F. Visualiser ou mettre à jour la version du micrologiciel de l'appareil, visualiser l'état de la liaison réseau.

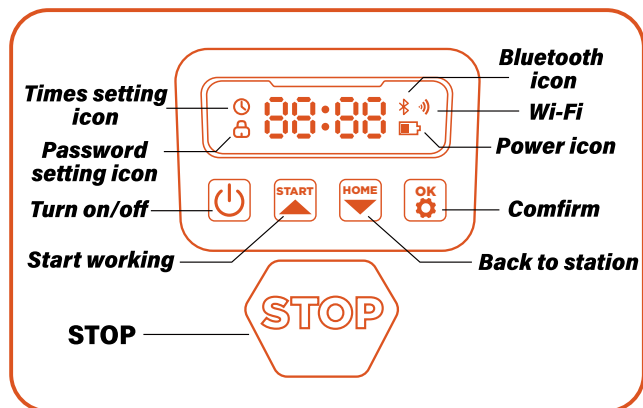
G. Supprimer, modifier et ajouter des appareils.

H. Obtenir des informations sur l'aide et l'assistance après-vente.

5. Fonctionnement quotidien

5.1 Affichage et contrôle sur la tondeuse

Afficheur



icône de batterie : L'icône de batterie représente le niveau de charge restant de l'appareil. Sur cette icône, 1 barre indique une charge inférieure ou égale à 30%, 2 barres entre 31% et 66%, et 3 barres au-dessus de 67%.

icône Wi-Fi : L'icône de Wi-Fi indique si l'appareil se connecte avec succès au réseau Wi-Fi.

icône Bluetooth : L'icône de Bluetooth indique si l'appareil se connecte avec succès au Bluetooth.

icône de réglage de l'heure : L'icône de réglage de l'heure indique que l'appareil passe en mode de réglage de l'heure.

icône de réglage du mot de passe : L'icône de verrouillage qui s'allume indique qu'il faut entrer le mot de passe ou modifier le mot de passe de l'appareil.

Affichage du tableau de bord : Le tableau de bord affiche les différents états et modes dans lesquels se trouve l'appareil :

- . idle** : L'appareil est en mode veille et aucune tâche n'est en cours d'exécution.
- . Voyant de marche** : L'appareil est en mode de fonctionnement. En ce mode, le disque tourne à haute vitesse. Ne vous en approchez pas.
- . ----** : En activant la fonction de décalage pluie, l'appareil détecte les pluies, termine le travail en cours et retourne à la station de charge.
- . stop** : Il indique que le bouton d'arrêt d'urgence a été enfoncé sur l'appareil.

Commandes de base

Mise en marche : Appuyez sur le bouton d'alimentation et maintenez-le enfoncé pendant 2 secondes.

Éteindre : Appuyez sur le bouton d'alimentation et maintenez-le enfoncé pendant 3 secondes.

La tondeuse ne peut pas être éteinte lorsqu'elle se trouve dans la station de charge. Lorsque la tondeuse est éteinte, le mot « au revoir » s'affiche sur le tableau de bord, puis l'écran s'éteint.

Commencer à travailler / Allumer : Appuyez sur le bouton de démarrage puis sur le bouton OK.

Retour à la station / Mettre en arrêt : Appuyez sur le bouton d'accueil puis sur le bouton OK.

Arrêter le fonctionnement de la tondeuse : Appuyez sur le bouton d'arrêt.

Redémarrez la tondeuse : Appuyez sur le bouton d'alimentation pendant 10 s pour éteindre l'appareil, puis rallumez-le ou poussez directement l'appareil dans la station de charge et connectez-le aux électrodes de charge de la station.

5.2 Modification du code PIN

Si la tondeuse est verrouillée, entrez le code PIN avant d'utiliser manuellement la tondeuse. Le code par défaut peut être modifié via l'App Robotic Mower.

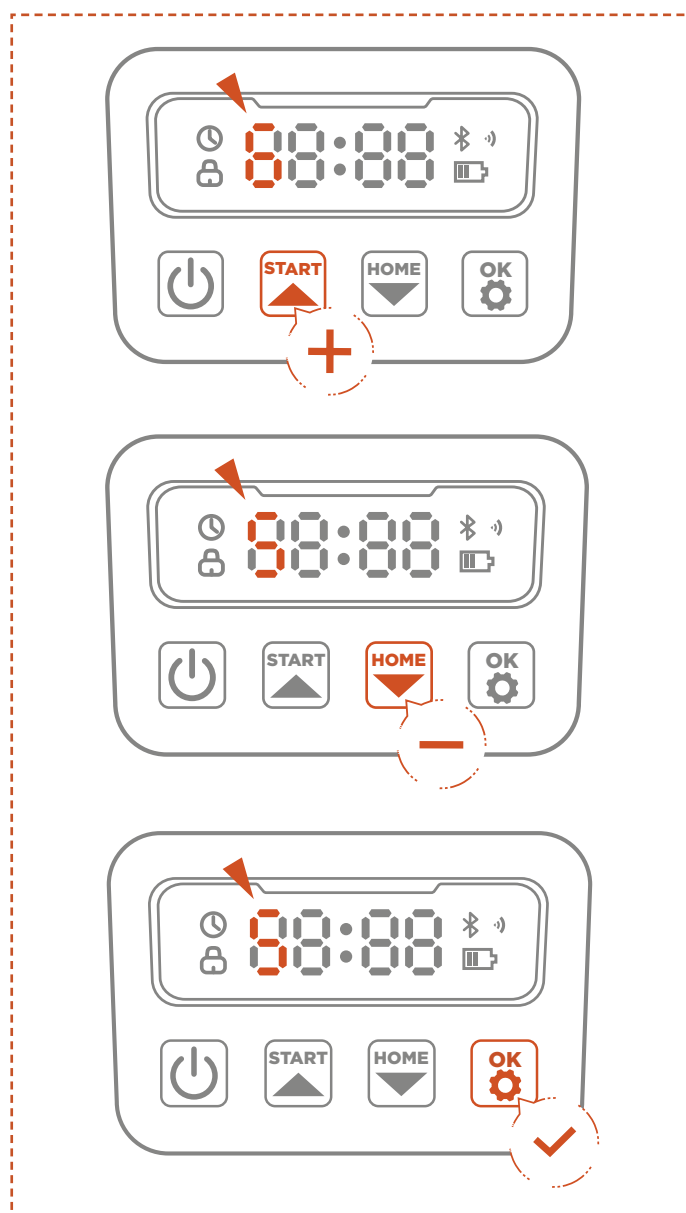
A. Appuyez longuement sur les boutons de démarrage et d'accueil pendant 3 secondes.

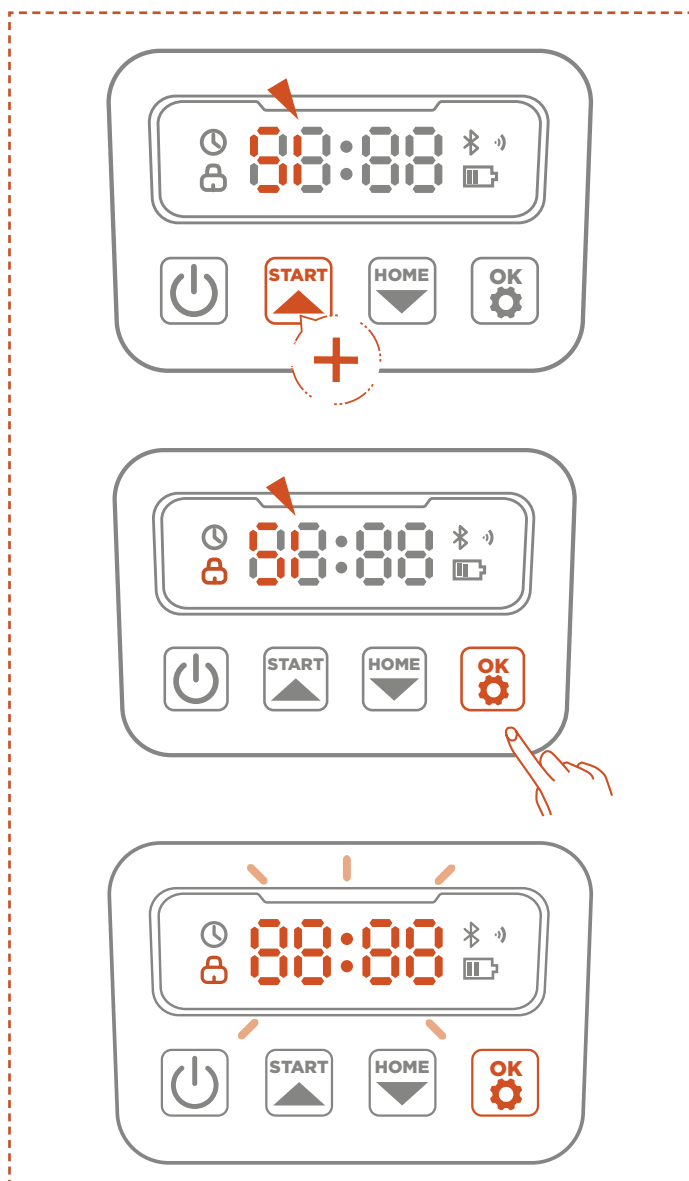
B. Lorsque PIN1 s'affiche, et après l'apparition de « 0--- », saisissez l'ancien mot de passe.

C. Lorsque PIN2 s'affiche, et après l'apparition de « 0--- », saisissez le nouveau mot de passe. Appuyez sur le bouton OK pour confirmer.

Remarque

Si le code pin est mal saisi, l'écran affiche « ERR ».





5.3 IdO

La Plateforme X est un dispositif de l'Internet des objets (IdO). Connectez la tondeuse à Internet via un réseau mobile ou un réseau Wi-Fi, ce qui permet d'activer les fonctionnalités suivantes :

A. Mises à jour OTA pour bénéficier des dernières fonctionnalités de la tondeuse.

B. Commande à distance via le réseau :

Commencer à tondre, arrêter de tondre, retourner à la station de charge, programmer la tonte, régler la hauteur de coupe et autres fonctions.

C. Contrôle à distance de la progression de la tonte et de la position de la tondeuse.

D. Signalement des codes d'erreur et de l'état de la tondeuse via le réseau.

Wi-Fi

La Plateforme X utilise le Wi-Fi pour se connecter à un réseau. Consultez la section Paramètres Wi-Fi pour plus de détails.

REMARQUE

- La Plateforme X ne supporte que le réseau Wi-Fi 2,4 GHz.
- Si vous utilisez un appareil iOS, la tondeuse ne peut se connecter qu'au réseau Wi-Fi auquel votre appareil mobile est connecté. Veuillez suivre les instructions de l'application. Connectez d'abord votre appareil mobile au réseau Wi-Fi, puis connectez la tondeuse au même réseau Wi-Fi. Il n'y a pas de telles exigences pour les appareils Android.

Mises à jour du micrologiciel

Nous continuerons à mettre à jour le micrologiciel de la tondeuse. Si une nouvelle version du micrologiciel est disponible, vous recevrez une notification contextuelle dans l'application. Il est recommandé d'effectuer la mise à jour dès que le dernier micrologiciel est disponible.

Lors de la mise à jour du micrologiciel, les conditions ci-dessous doivent être remplies :

- L'appareil est dans la station de charge.
- L'appareil est connecté au réseau.
- La batterie restante est supérieure à 30 %.
- Aucune tonte n'est prévue dans une heure.

Pendant la mise à jour, la lumière ambiante de la tondeuse clignote en bleu. Vous pouvez consulter la progression de la mise à jour sur l'App. Une fois la mise à jour terminée, la lumière ambiante de la tondeuse devient verte.

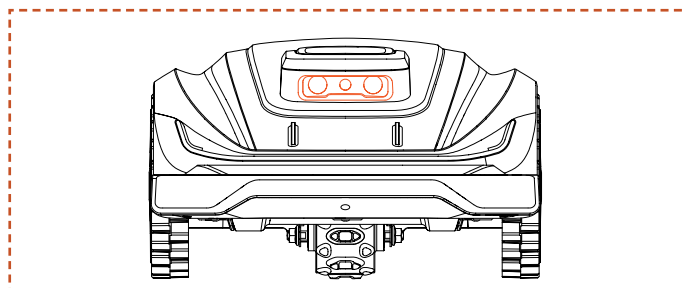
AVERTISSEMENT

- Ne déplacez pas la tondeuse pendant la mise à jour.

5.4 Détection d'obstacles

Caméra binoculaire

La caméra binoculaire fait partie de l'équipement standard de Platform X. Elle est conçue pour la détection visuelle des limites, l'évitement préalable des obstacles et la reconnaissance visuelle des codes QR pendant le processus de chargement, ce qui rend la tondeuse plus intelligente.



REMARQUE

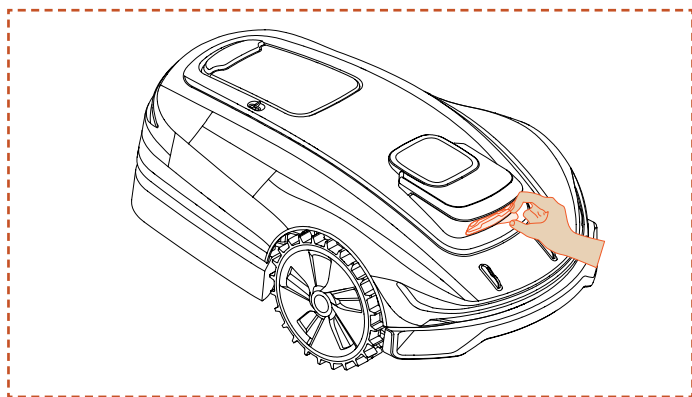
- Lorsque l'appareil travaille dans un environnement sombre, le manque de luminosité perturbe sa capacité à reconnaître les obstacles avec précision et à les éviter rapidement. Il est recommandé de ne pas utiliser l'appareil la nuit.
- S'il y a trop d'obstacles dans la pelouse, envisagez de créer des zones interdites autour de ces obstacles ou d'éliminer certains obstacles afin d'améliorer l'efficacité de l'appareil.

Reconnaissance par l'intelligence artificielle

La technologie Sunseeker AIR (Artificial Intelligence Recognition) révolutionne la sûreté et la sécurité grâce à la caméra spéciale VSLAM SUNSEEKER VSLAM qui offre une détection d'obstacles ultra-précise à l'aide d'un champ de vision plus grand (FOV), permettant d'anticiper les obstacles, d'adapter la trajectoire de la tondeuse et de minimiser les risques de collision. La fonction d'évitement des obstacles est conçue pour améliorer les performances et la sécurité de la tondeuse.

Capteur de chocs

Des capteurs sont installés à l'intérieur de la Plateforme X pour détecter les obstacles. Lorsque le pare-chocs heurte un obstacle et déclenche le capteur, la tondeuse recule et évite l'obstacle.



REMARQUE

- La Plateforme X permet d'éviter les objets après les avoir heurtés. Toutefois, il est recommandé d'éliminer le bourrage excessif avant de tondre.

6. Maintenance

A. La maintenance permet d'améliorer la qualité de la tonte et d'en prolonger la durée de vie.

B. Une inspection régulière et un entretien chaque semaine sont essentiels pour garantir les performances optimales de l'appareil.

C. Pour votre bien-être, respectez les consignes de sécurité : n'effectuez pas de travaux d'entretien en portant des sandales ouvertes ou en étant pieds nus.

D. Privilégiez toujours la sécurité en portant des pantalons longs et des chaussures de travail pendant l'entretien de la tondeuse.

E. Remplacez immédiatement toute pièce endommagée ou usée afin de garantir un bon fonctionnement de l'appareil.

SEULS les techniciens de maintenance agréés sont autorisés à ouvrir et à refermer le compartiment du châssis situé derrière le pare-chocs. Toute réparation effectuée par vos soins annulera la garantie limitée.

AVIS : ASSURANCE

Votre contrat d'assurance risque de ne pas couvrir les accidents impliquant cet appareil. Veuillez contacter votre assureur ou votre agent pour savoir si vous pouvez bénéficier d'une couverture.

6.1 Nettoyage

A. Éteignez la tondeuse.

B. Utilisez une brosse ou un chiffon doux pour nettoyer méticuleusement l'extérieur de l'appareil, sans utiliser de solvants corrosifs tels que l'alcool, l'essence ou l'acétone. Ces substances sont susceptibles d'endommager l'esthétique et les composants internes de votre tondeuse.

REMARQUE

- Pour une connexion parfaite, il est essentiel d'examiner et de nettoyer régulièrement la station de charge pour enlever tout débris ou trace de boue.

- Assurez-vous que toutes les pièces de connexion de la station de charge, de la rallonge et de l'alimentation électrique ne sont pas obstruées afin d'obtenir des performances optimales.

Châssis et disque avec lames

A. Pour nettoyer le châssis et le disque avec lames, il est recommandé d'utiliser une brosse ou un tuyau d'arrosage.

B. N'utilisez pas de nettoyeurs haute pression, car cela risque d'endommager l'appareil.

C. Assurez-vous que le disque avec lames tourne facilement et que les lames peuvent pivoter librement.



ATTENTION

- L'eau à haute pression peut s'infiltrer dans les joints et endommager les pièces électroniques et mécaniques.

Roues

La présence d'herbe sur les roues peut nuire aux performances de la tondeuse lorsqu'elle gravit des pentes. Enlevez la boue ou d'autres objets entre les deux roues à l'aide d'une brosse pour assurer une bonne adhérence.

Capteur de pluie

A. Vérifiez le capteur de pluie une fois par mois et assurez-vous qu'il n'est pas recouvert de boue, d'herbe ou d'autres objets.

B. Enlevez la boue, l'herbe ou d'autres objets ; ou utilisez une brosse douce pour le nettoyer.

C. Séchez la zone du capteur après l'avoir nettoyée afin d'éviter les faux déclenchements.

Caméra

Nettoyez régulièrement la caméra pour qu'elle reste propre.



AVERTISSEMENT

- Assurez-vous que la tondeuse est hors tension avant de la nettoyer.
- Lorsque la tondeuse est à l'envers, éteignez-la.

6.2 Changement des lames

Pour améliorer les performances et la sécurité de la tonte, il est recommandé de changer les vis et les lames de la tondeuse tous les 1 à 2 mois en cas d'utilisation fréquente. Pour un système de coupe sécurisé, remplacez toutes les lames et leurs vis en même temps. Reportez-vous à la section « Caractéristiques - accessoires » pour connaître les pièces qui peuvent être utilisées.

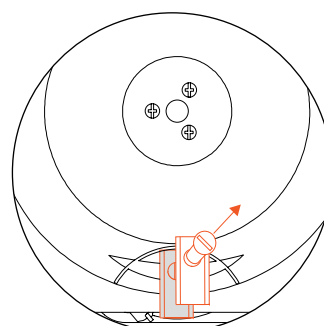
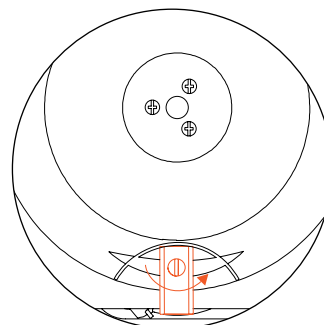
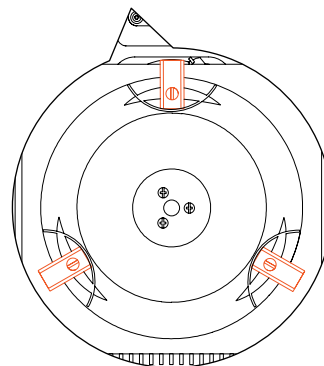
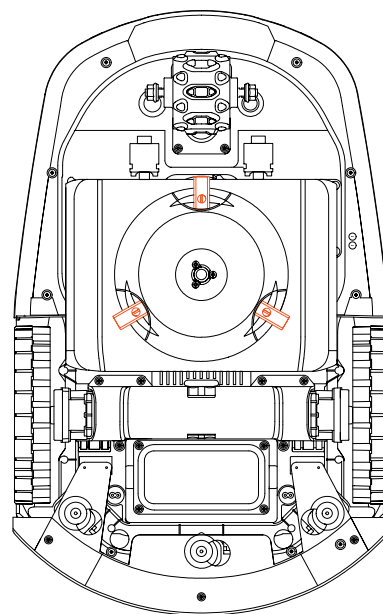


AVERTISSEMENT

- Lors de l'inspection ou de l'entretien des lames, portez des gants de protection.
- NE réutilisez PAS les vis. Cela peut entraîner des blessures graves.
- Il est fortement conseillé d'utiliser les vis correctes et les lames d'origine proposées par le fabricant. (NO.80201457).

Comment remplacer les lames

- A.** Éteignez la tondeuse.
- B.** Placez la tondeuse à l'envers sur une surface souple et propre pour éviter les rayures.
- C.** Utilisez un tournevis cruciforme pour desserrer les vis.
- D.** Enlevez les vis et les lames.
- E.** Fixez les nouvelles lames et les vis (Couple : 1,0+0,2N.m). Assurez-vous que les lames peuvent pivoter librement.



REMARQUE

- Remplacez les vis avec un couple standard de 1,0+0,2 N.m. Un couple de serrage incorrect peut entraîner des problèmes évitables.

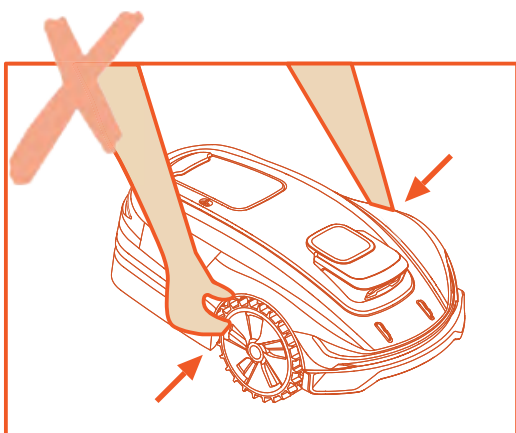
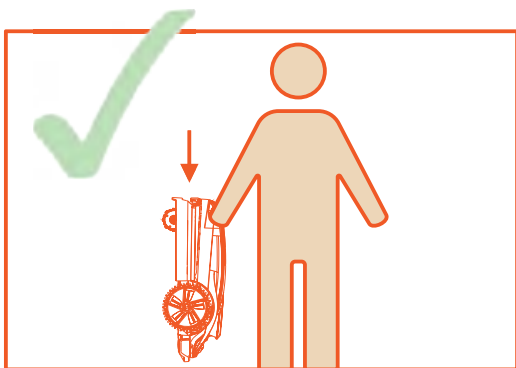
- Assurez-vous que la tondeuse est éteinte et vérifiez que les lames sont bien appliquées. Vérifiez qu'il n'y a pas de bruit ou de vibration anormale.

6.3 Transport

Utilisez l'emballage d'origine pour garantir la sécurité de la tondeuse pendant le transport sur de longues distances. Avant de soulever, de déplacer ou de transporter l'appareil, veillez à l'éteindre. Manipulez l'appareil avec précaution et évitez toute force violente, notamment en le jetant ou en exerçant une forte pression. Ne soulevez ou ne portez jamais la tondeuse lorsque le moteur est en marche.

Comment déplacer ou soulever correctement l'appareil

Portez la tondeuse par la poignée. Gardez le disque avec lames loin de votre corps.

**6.4 Batterie**

A. Avant de ranger l'appareil, chargez complètement la batterie afin d'éviter une décharge excessive et d'endommager les pièces électriques.

B. La garantie limitée ne couvre pas les dommages causés par la surcharge de la batterie.

C. Ne chargez pas la batterie lorsque la température ambiante est inférieure à 5 °C (41 °F) ou supérieure à 40 °C (104 °F).

D. Si la batterie est chargée à une température comprise entre 18 °C et 25 °C, cela peut prolonger sa durée de vie et améliorer ses performances.

E. La batterie est plus performante lorsqu'elle est utilisée à une température ambiante normale (20 °C ± 5 °C).

REMARQUE

- La durée de vie de la batterie dépend de la fréquence d'utilisation de l'appareil et du nombre total d'heures de travail. Si la durée d'utilisation est largement inférieure à la durée habituelle par charge complète ou si la pelouse n'est pas bien coupée, il est recommandé de remplacer la batterie.

Comment remplacer la batterie

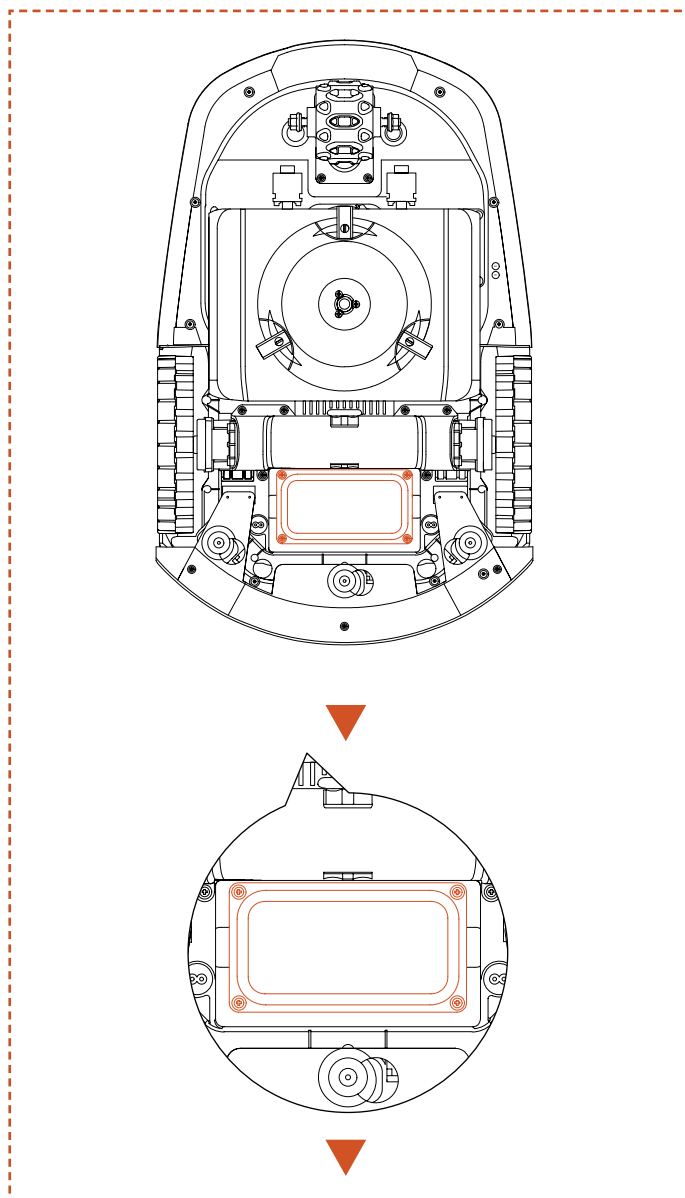
A. Éteignez la tondeuse.

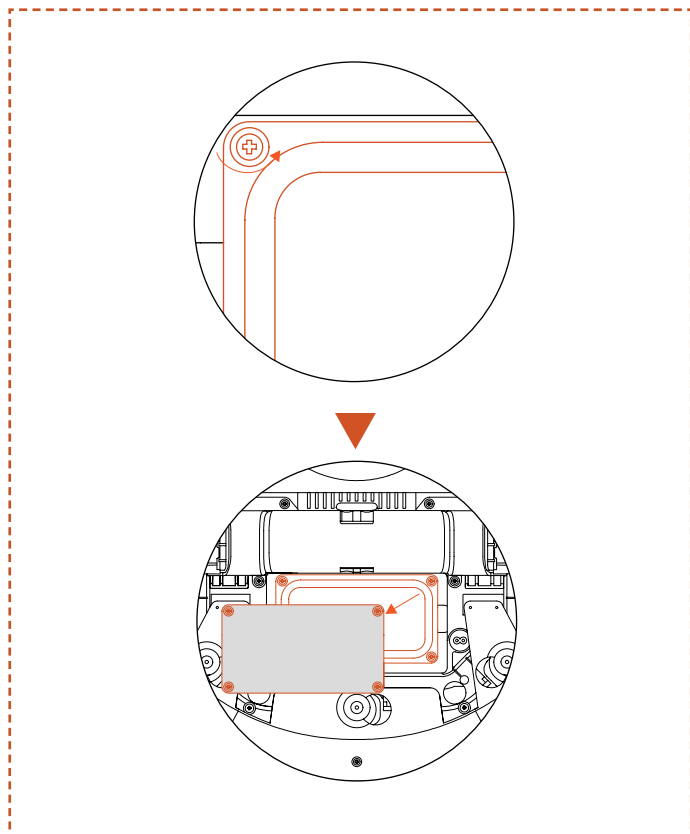
B. Placez la tondeuse à l'envers sur une surface souple et propre.

C. Desserrez les 4 vis qui fixent le logement de la batterie à l'aide d'un tournevis cruciforme.

D. Débranchez la prise.

E. Retirez la batterie et remplacez-la par la nouvelle.





! AVERTISSEMENT

- N'utilisez que la batterie d'origine ou celle du même modèle que celle spécifiée par SUNSEEKER. Chaque tondeuse contient une batterie.
- Selon le modèle de tondeuse, la capacité nominale de la batterie est de 5000 mAh ou 10000 mAh.
- N'utilisez pas de batteries non rechargeables. Pour recharger la batterie, utilisez uniquement l'unité d'alimentation détachable fournie avec cet appareil.
- Évitez de casser ou de démonter le boîtier de la batterie. Évitez tout contact avec des objets métalliques afin de prévenir les courts-circuits. Tenez la batterie à l'écart des sources de chaleur, du feu et de la lumière directe du soleil.
- Veuillez contacter votre point de vente, votre bureau local ou régional de gestion des déchets ou votre centre d'élimination des déchets ménagers pour plus d'informations sur les déchets de batteries et d'appareils électriques.
- Il n'est pas prévu d'ouvrir fréquemment le logement de la batterie. Le logement de la batterie peut être ouvert uniquement pour remplacer la batterie.
- La batterie contient des électrolytes. Si la fuite d'électrolyte entre en contact avec la peau, lavez-la immédiatement avec de l'eau et du savon. En cas de contact avec les yeux, consultez un médecin et rincez immédiatement les yeux avec beaucoup d'eau pendant au moins 15 minutes sans frotter.

6.5 Alimentation électrique

Débrancher l'alimentation électrique :

- A.** Avant d'éliminer une obstruction ;
- B.** Avant de contrôler, nettoyer ou utiliser l'appareil ;
- C.** Pour vérifier que l'appareil n'est pas endommagé après avoir heurté un objet étranger.
- D.** Pour contrôler régulièrement les câbles, les fiches, le boîtier et les autres pièces. En cas de dommages ou de signes de vieillissement, arrêtez immédiatement l'utilisation.

! AVERTISSEMENT

- N'utilisez JAMAIS une alimentation électrique endommagée pour faire fonctionner l'appareil. Pour éviter tout risque, le câble d'alimentation endommagé doit être remplacé par le fabricant, son agent de service ou d'autres personnes qualifiées. Si la rallonge est défectueuse, remplacez-la par un câble de 10 m autorisé par SUNSEEKER.
- Ne touchez JAMAIS une rallonge ou un câble endommagé avant de l'avoir débranché de la source d'alimentation ou de l'avoir connecté à la source d'alimentation. Un câble endommagé peut entraîner un contact avec des composants électriques.
- L'alimentation électrique ne doit pas être utilisée avec un autre appareil ou une autre batterie, car cela augmente le risque d'électrocution, d'incendie ou de blessures. Toute utilisation de batteries non d'origine ne garantit pas la sécurité de l'appareil.
- NE chargez PAS la batterie lorsqu'elle fuit du liquide.
- Tenez la rallonge à l'écart des pièces dangereuses en mouvement pour éviter que les câbles ne soient endommagés et n'entrent en contact avec des pièces sous tension.

Recommandation

Ne branchez l'appareil et/ou ses périphériques qu'à un circuit d'alimentation protégé par un dispositif à courant différentiel résiduel (DDR) avec un courant de déclenchement ne dépassant pas 30 mA.

6.6 Stockage

- A.** Assurez-vous que la tondeuse est complètement chargée et éteinte avant de la ranger afin d'éviter une décharge excessive qui pourrait entraîner des dommages permanents.
- B.** Stockez l'appareil dans un endroit sec et frais à l'intérieur. L'exposition de l'appareil au soleil et à des températures extrêmes (chaudes ou froides) accélère le processus de vieillissement des composants et peut causer des dommages permanents.
- C.** Éloignez la tondeuse, la station de charge et l'alimentation électrique des produits chimiques et des sources de chaleur (poêles, radiateurs, etc.).
- D.** Rangez l'alimentation électrique dans un endroit bien ventilé et protégez-la de l'humidité.



AVERTISSEMENT

- Débranchez l'alimentation électrique de la prise de courant si un orage est prévu. Débranchez tous les fils et câbles reliés à la station de charge. Rebranchez-les lorsqu'il n'y a plus de risque d'orage.

Exigences supplémentaires pour l'hibernation

La tondeuse :

- A. Nettoyez complètement la tondeuse avant de la ranger.
- B. Vérifiez les composants soumis à l'usure, tels que les lames.
- C. Réparez-les ou remplacez-les s'ils sont en mauvais état.
- D. Stockez la tondeuse dans un endroit sec, à l'abri du gel, avec toutes les roues debout. Si possible, utilisez son emballage d'origine.

La station de charge :

- A. Débranchez la station de charge et retirez l'alimentation électrique de la prise de courant.
- B. Gardez la station de charge à l'abri de la lumière directe du soleil et rangez-la à l'intérieur.

6.7 Recyclage et mise au rebut

Cet appareil n'est PAS un déchet ménager. Contactez votre mairie, votre point de vente ou votre centre de traitement des ordures ménagères pour obtenir des informations sur le recyclage.



AVERTISSEMENT

- Cet appareil ne doit pas être jeté dans une décharge, ni brûlé, ni mélangé aux ordures ménagères. Les composants électriques peuvent entraîner un danger ou des dommages graves.

7. FAQ et dépannage

7.1 Messages d'erreur

Code d'erreur	Signification	Causes possibles
E1	Robot hors de la zone de travail	Comment résoudre le problème « Robot hors de la zone de travail » ?
E2	Moteur de la roue bloqué	Le moteur de la roue est bloqué
E3	Erreur du moteur du disque avec lames	Le moteur du disque avec lames est bloqué
E4	Pare-chocs du robot bloqué	1. Trop d'obstacles 2. Vérifiez que le pare-chocs reste bien en place.
E5	Robot soulevé	Vérifiez si l'appareil est bien soulevé
E6	Robot incliné	Vérifiez si l'appareil se trouve sur un sol non nivelé.
E7	Capteur d'angle activé fréquemment	Vérifiez si l'appareil se trouve sur un sol non nivelé.
E8	Échec de la connexion à la station de charge pendant le rechargement	Comment résoudre le problème « Échec de la connexion à la station de charge pendant le rechargement » ?
E9	Robot coincé	1. Vérifiez s'il y a trop d'obstacles autour de l'appareil. 2. Le robot est entré dans un espace étroit et n'a pas pu en sortir 3. La tondeuse glisse
E10	Échec de la mise à niveau	1. Vérifiez si les signaux Wi-Fi sont trop faibles 2. Vérifiez si l'appareil est dans la station de charge
E12	Erreur de la tension de la batterie	1. Placez l'appareil dans la station de charge pour vérifier s'il peut être chargé complètement 2. Courant de surcharge 3. Temps de chargement trop long 4. Tension de la batterie trop élevée ou basse
E13	Erreur du chargement	Chargeur défectueux
E14	La zone de tonte délimitée actuelle est trop grande, dépassant la capacité du robot.	Recréez une cartographie en respectant la capacité du robot.
E15	Défaut du moteur de la roue arrière / du moteur de direction	Le moteur de la roue arrière ou le moteur de direction est bloqué
E16	Défaut du moteur de levage	Le moteur de levage est bloqué
E17	L'appareil ne peut pas trouver la station de charge	Comment résoudre le problème « Échec de la connexion à la station de charge pendant le rechargement » ?
E18	Batterie faible	L'appareil ne peut pas retourner à la station de charge pour un chargement normal à cause des erreurs. Déplacez manuellement l'appareil vers la station de charge pour le recharger.
E19	Échec de la connexion	1. Il y a 4 codes QR à l'arrière de l'appareil ; lors de l'ajout d'un appareil, il convient de sélectionner le premier code QR. 2. Vérifiez que la fonction Bluetooth du téléphone est activée et que le téléphone se trouve à moins d'un mètre de l'appareil. 3. Vérifiez s'il le mot de passe initial (0000 par défaut) saisi est correct 4. Le Wi-Fi est-il en 2,4 GHz ? 5. Le mot de passe Wi-Fi est-il correct ?

Code d'erreur	Signification	Causes possibles
E21	Échec de l'initialisation du RTK	1. Vérifiez que la station de base est correctement installée et qu'il n'y a pas d'obstacles. 2. Vérifiez si l'appareil est bloqué 3. Vérifiez l'absence d'obstacles énormes entre la station de base et l'appareil pour assurer une bonne réception du signal
E22	Erreur de la caméra frontale	Vérifiez si la caméra frontale est bloquée
E23	Erreur de la cartographie vide	Créez une cartographie avant le démarrage
E24	Signal de base RTK perdu	1. Vérifiez que la station de base est mise sous tension. 2. Vérifiez que la station de base est installée correctement Comment installer la station RTK 3. Vérifiez l'absence d'obstacles entre la- de base et l'appareil 4. Reconnectez l'appareil à la station de base
E25	Échec de la cartographie	1. Vérifiez si la fonction de cartographie est désactivée 2. Vérifiez si l'appareil se connecte bien au réseau Wi-Fi
E26	Échec de l'étalonnage du RTK	Comment résoudre le problème « Échec de l'étalonnage du RTK » ?
EE	Demande d'assistance au revendeur	1. Mauvais contact de la carte de charge 2. Défaut de la carte de l'afficheur 3. Défaut de la carte de délimitation 4. Anomalie de la carte multifonctionnelle 5. Défaut du matériel 6. Autres erreurs
BP	Erreur de la température de la batterie	1. Vérifiez si la température ambiante est trop élevée 2. Vérifiez si la température ambiante est trop basse
LOCK	Verrouillé. Réessayez après 10 minutes.	1. Entrez le mot de passe correct 2. En cas d'oubli de votre mot de passe, vous pouvez le remettre à 0000 en réinitialisant les paramètres d'usine à partir de l'App 3. Si l'application mobile n'est pas connectée à l'appareil, contactez le service après-vente.
STOP	Arrêt manuel	Le bouton d'arrêt d'urgence est enfoncé

Comment faire en cas de vibrations anormales :

- A. Éteignez l'appareil.
- B. Tournez l'appareil à l'envers.
- C. Vérifiez si les lames sont endommagées ou si elles tournent bien.
- D. Il est recommandé de remplacer les trois lames.
- E. Retournez l'appareil pour commencer à travailler.

7.2 Dépannage

Pour trouver des réponses aux questions fréquentes et résoudre les problèmes courants liés à l'appareil ou à l'App, consultez la section FAQ sur le site web officiel de Sunseeker (<https://support.sunseeker-elite.com>) ou dans la rubrique « Aide et commentaires » de l'App.

8. Informations importantes

8.1 Confidentialité des données

Traitement des données personnelles sur la Plateforme X

- Qui et pourquoi ?

Lors de votre inscription et de votre utilisation de la Plateforme X, Sunseeker (ou « nous ») traite vos données personnelles, agissant en qualité de responsable de traitement. Nous traiterons vos données personnelles afin de :

1. Vous fournir une connexion à la Plateforme X ou vous faire une offre pour un tel service. La base juridique est que le traitement est nécessaire à l'exécution du contrat que vous avez conclu avec nous, ou à la prise de mesures préalables à la conclusion d'un contrat avec nous.
2. Développer et améliorer davantage nos produits et services. La base juridique est notre intérêt légitime à développer et améliorer nos produits et services.
3. Activer la connexion à la Plateforme X (Internet des objets) : utiliser des intégrations partenaires (par exemple des assistants intelligents, y compris des appareils à commande vocale) ; utiliser des plateformes de connectivité pour connecter la Plateforme X à des appareils, applications et services tiers ; et créer votre propre intégration domestique intelligente. La base juridique est que le traitement est nécessaire à l'exécution du contrat que vous avez conclu avec nous.
4. Vous fournir des informations pertinentes relatives à votre expérience de la Plateforme X. La base juridique est notre intérêt légitime à vous tenir informé de nos produits et services spécifiques et de leurs fonctionnalités.
5. Vous fournir une assistance et un dépannage concernant la Plateforme X. La base juridique est que le traitement est nécessaire à l'exécution du contrat que vous avez conclu avec nous.

Si vous nous donnez votre consentement (auquel cas la base juridique est votre consentement), nous pouvons également traiter vos données personnelles aux fins suivantes :

1. Vous envoyer des publicités personnalisées et des bulletins d'information sur nos produits et services
2. Vous envoyer des questionnaires et analyser vos réponses, comme indiqué plus en détail dans cette communication.

Nous conserverons vos données uniquement le temps nécessaire pour atteindre les objectifs décrits ci-dessus, dans le respect de la loi en vigueur.

- Quelles données personnelles traitons-nous ?

Nous pouvons traiter les données personnelles suivantes :

1. Données personnelles : nom et prénom, nationalité, préférences linguistiques ;
2. Coordonnées : adresse électronique, adresse postale ;
3. Informations sur le compte : âge du compte, mot de passe, numéro de compte ;
4. Autres données liées à votre Plateforme X : nom de la tondeuse, noms de jumelage, actions déclenchées par l'utilisation d'intégrations de partenaires et informations sur l'appareil.

- Utilisation des données de localisation

Certains de nos services ne fonctionnent que si nous pouvons déterminer l'emplacement de votre tondeuse (par exemple, l'affichage de la météo). Lorsque vous partagez avec nous l'emplacement de votre tondeuse, les données sont stockées dans votre profil et peuvent être envoyées à des tiers sous forme pseudonyme aux fins de fournir le service concerné (par exemple pour ranger la tondeuse en cas de forte pluie).

8.2 Garantie limitée

Garantie limitée

Notre produit est garanti 2 ans. Avant toute réclamation, nous vous invitons à consulter la section FAQ et dépannage de votre manuel d'utilisation. Notre service client est également disponible pour répondre à toutes vos questions. Pour faciliter le traitement de votre demande de garantie, merci de joindre une preuve d'achat, telle qu'un reçu valide indiquant la date et le lieu d'achat.

Notre garantie ne couvre pas :

Pièces soumises à une usure normale telles que les piquets de sol, les disques de coupe et la batterie.

8.3 Clause de non-responsabilité

Notre service après-vente intervient dans tous les cas, sauf ceux mentionnés ci-dessous :

1. Dommages dus à un accident causés par des facteurs non liés à la fabrication, y compris, mais sans s'y limiter, les erreurs de l'utilisateur.
2. Dommages causés par une modification, un démontage ou une ouverture de coque non autorisés, non conformes aux instructions ou manuels officiels.
3. Dommages causés par une mauvaise installation, une utilisation incorrecte ou un fonctionnement non conforme aux instructions ou manuels officiels.
4. Dommages causés par un prestataire de services non agréé.
5. Dommages causés par une modification non autorisée des circuits et/ou une incompatibilité ou une mauvaise utilisation de la batterie et du chargeur.
6. Dommages causés par les utilisateurs qui ne suivent pas les instructions et les recommandations du manuel.
7. Dommages causés par l'utilisation de l'appareil dans de mauvaises conditions (par exemple, vastes zones de flaques d'eau lorsque les zones restreintes ne sont pas correctement définies, endroits où la surface de la pelouse est recouverte de pierres en abondance, etc.)
8. Dommages causés par l'utilisation de l'appareil dans des environnements soumis à des interférences électromagnétiques, notamment dans les zones minières ou à proximité de tours de transmission radio, de lignes à haute tension, de sous-stations, etc.
9. Dommages causés par l'utilisation de l'appareil dans des environnements soumis à des interférences provenant d'autres appareils sans fil, notamment des émetteurs, des liaisons vidéo descendantes, des signaux Wi-Fi, etc.
10. Dommages causés par des problèmes de fiabilité ou de compatibilité lors de l'utilisation de pièces tierces non autorisées.

11. Dommages causés par l'utilisation de l'appareil avec une batterie faiblement chargée ou défectueuse.
12. Dommages causés par des facteurs imprévisibles tels que les collisions de voitures, les attaques d'animaux sauvages, les inondations, etc.

Nous nous réservons le droit de modifier ce contenu sans préavis.

Déclaration de conformité de la FCC

Cet appareil est conforme à la partie 15 des règles de la FCC. Le fonctionnement est soumis aux deux conditions suivantes : (1) cet appareil ne peut causer d'interférences nuisibles, et (2) cet appareil doit accepter toute interférence reçue, y compris les interférences qui peuvent provoquer un fonctionnement non désiré. Les changements ou modifications non expressément approuvés par la partie responsable de la conformité peuvent résilier le droit de l'utilisateur à utiliser l'appareil.

REMARQUE

Cet appareil a été déclaré conforme aux normes des appareils numériques de classe B, en vertu de la partie 15 des règles de la FCC. Ces limites sont conçues pour assurer une protection suffisante contre les interférences nuisibles dans les installations résidentielles. Cet équipement génère, utilise et peut dégager de l'énergie de radiofréquence et, s'il n'est pas installé et utilisé conformément aux instructions, provoquer des interférences préjudiciables aux communications radio. Il n'existe toutefois aucune garantie qu'une installation particulière ne souffrira pas d'interférences. Si cet appareil entraîne des interférences préjudiciables à la réception des émissions radio ou de télévision, identifiables en mettant l'appareil hors tension, puis sous tension, il est recommandé que l'utilisateur tente de résoudre ce problème au moyen d'une ou plusieurs des mesures suivantes :

- Réorienter ou déplacer l'antenne de réception.
- Augmenter la distance entre l'appareil et le récepteur.
- Brancher l'appareil sur une prise de courant appartenant à un circuit différent de celui sur lequel le récepteur est branché.
- Consulter un revendeur ou un technicien radio/TV expérimenté.
- Pour respecter les règles d'exposition RF de la FCC, il faut maintenir une distance minimale de 20 cm entre votre corps et l'appareil pendant l'utilisation de l'appareil. Pour garantir la conformité, il n'est pas recommandé d'opérer à une distance inférieure à celle-ci.

AVERTISSEMENT pour pile bouton :

- a) Retirez et recyclez/éliminez immédiatement les piles usagées conformément aux réglementations locales. Tenez-les hors de portée des enfants.
- b) Ne jetez PAS les batteries avec les ordures ménagères et ne les brûlez pas avec les déchets à incinérer.
- c) Des batteries même usagées peuvent provoquer des blessures graves, voire mortelles.

d) Contactez un centre antipoison local pour obtenir des informations sur le traitement.

e) Type de batterie : CR2032.

f) Tension nominale : 3.0 Vdc.

g) Il ne faut pas recharger les batteries non rechargeables.

h) Évitez de forcer la décharge, la charge, le démontage, le chauffage au-delà de la température nominale spécifiée par le fabricant ou l'incinération. Le non-respect de cette consigne peut entraîner des blessures dues à la ventilation, à des fuites ou à des explosions, ainsi que des brûlures chimiques.

i) Le produit contient une pile bouton non remplaçable.

Déclaration de conformité CE



Nous soussignés,

Zhejiang Sunseeker Industrial Co., Ltd.

988 Rue de Jinde, Parc industriel de Jiangdong, Ville de Jinhua, Province du Zhejiang, 321000, République populaire de Chine

Déclarons et assumons la responsabilité que le produit :

Nom de marque : SUNSEEKER

Nom du produit : Tondeuse à gazon robotisée

Modèles : RMX1600L20V, RMX2000L20V, RMX2500L20V, RMX1602N20V, RMX2002N20V, RMX2502N20V

La déclaration décrite ci-dessus est conforme aux directives européennes suivantes :

1. Directive sur les équipements radioélectriques (2014/53/UE)
2. Directive relative aux machines (2006/42/CE)
3. Directive RoHS (2011/65/UE) et directive déléguée ((UE) 2015/863)
4. Directive relative au bruit (annexe III de la directive 2000/14/CE modifiée par la directive 2005/88/CE)

- Niveau de pression acoustique LpA : 52 dB (A), Incertitudes de pression acoustique KpA : 3dB (A)

Niveau de puissance acoustique garanti déclaré : 60 dB (A), Incertitudes de puissance acoustique KWA : 3dB (A)

Il est attesté que ce produit est conforme aux normes harmonisées et/ou caractéristiques techniques suivants :

EN 50636-2-107: 2015+A1:2018+A2: 2020+A3: 2021

EN 60335-1:2012+A11:2014+A13:2017+ A1:2019 + A2:2019+ A14:2019+A15:2021

EN IEC 55014-1:2021

EN IEC 55014-2:2021

EN IEC 61000-3-2:2019+A1:2021

EN 61000-3-3:2013+A1:2019+A2:2021

EN 301 489-1 V2.2.3

EN 301 489-3 V2.3.2

EN 301 489-17 V3.2.4

EN 301 489-19 V2.2.1

EN 301 489-52 V1.2.1

EN 301 511 V12.5.1

EN 301 908-1 V15.2.1

EN 301 908-13 V13.2.1

EN 303 413 V1.2.1

EN 300 220-2 V3.1.1

EN 300 328 V2.2.2

EN 62311:2008

EN IEC 62311:2020

EN 62321-1:2013

EN IEC 62321-2:2021

EN 62321-3-1:2014

EN 62321-8:2017

EN 62321-4:2014 /A1:2017

EN 62321-5:2014

EN 62321-7-1:2015

EN 62321-7-2:2017

EN 62321-6:2015

EN 62321-8:2017

EN ISO 11094:1991

EN ISO 3744:1995

EN ISO 3744:2010

Informations sur l'exposition aux RF

Les tests effectués sur cet appareil démontrent qu'il respecte les limites d'exposition aux radiofréquences en vigueur.

Cet appareil doit être installé et utilisé conformément aux instructions fournies. Les antennes utilisées doivent être installées de manière à maintenir une distance de séparation de 20 cm minimum par rapport à toute personne. De plus, elles ne doivent pas être installées à proximité d'autres antennes ou émetteurs.

Signé pour et au nom de : Zhejiang Sunseeker Industrial Co., Ltd.

Lieu : Ville de Jinhua, Province du Zhejiang, République populaire de Chine

Date : 09/07/2024

Nom : Harry Ran Fonction : Chef ingénieur

Signature : 

Tabella di Contenuti

1. Sicurezza e Normative	76
1,1 Generalità.....	76
1,2 Istruzioni Generali di Sicurezza	76
1,3 Istruzioni di Sicurezza per l'Installazione	77
1,4 Istruzioni di sicurezza per il funzionamento quotidiano.....	78
1,5 Istruzioni di Sicurezza per la Manutenzione	78
1,6 Sicurezza della Batteria	78
2. Simboli e Decalcomanie	78
3. Contenuto e Specifiche	79
3.1 Contenuto della Scatola	79
3.2 Parti e Funzioni	80
4. Installazione	82
4,1 Preparazione.....	83
4,2 Installare la Stazione di Ricarica	83
4,3 Installazione della Stazione Base RTK.....	83
4,4 Caricare e Attivare il Tosaerba	84
4,5 Collegamento all'App.....	85
5. Funzionamento Giornaliero	86
5,1 Visualizzazione e Comandi sul Tosaerba	86
5,2 Modifica del codice PIN	86
5,3 IoT	87
5,4 Evitare gli Ostacoli	87
6. Manutenzione	88
6.1 Pulizia.....	88
6.2 Sostituzione delle lame.....	89
6.3 Trasporto	90
6.4 Batteria.....	90
6.5 Alimentazione.....	91
6.6 Stoccaggio	91
6.7 Riciclaggio e smaltimento a fine vita	92
7. FAQ e Risoluzione dei Problemi	93
7.1 Messaggio di errore.....	93
7.2 Risoluzione dei Problemi	94
8. Informazioni Importanti	95
8,1 Privacy dei Dati	95
8,2 Garanzia Limitata.....	95
8,3 Esclusioni di Responsabilità.....	95

1. Sicurezza e Normative

1,1 Generalità

IMPORTANTE

LEGGERE ATTENTAMENTE PRIMA DELL'USO CONSERVARE PER RIFERIMENTO FUTURO

Uso Previsto

Questo prodotto da giardino è destinato esclusivamente alla rasatura del prato, tagliando automaticamente l'erba del giardino in qualsiasi momento della giornata. Qualsiasi utilizzo che vada oltre lo scopo previsto può comportare pericoli, causando potenzialmente danni a persone e/o cose. È indispensabile attenersi scrupolosamente alle linee guida specificate per garantire la sicurezza e prevenire gli incidenti.

Uso Non Previsto

Questo prodotto per il giardinaggio non è destinato all'uso da parte di bambini o di persone con ridotte capacità fisiche, sensoriali o mentali, o con scarsa esperienza e conoscenza, a meno che non siano stati supervisionati o istruiti sull'uso del prodotto da una persona responsabile della loro sicurezza.

L'uso improprio comprende, a titolo esemplificativo e non esaustivo, il trasporto di persone, bambini o animali sulla macchina, l'utilizzo della macchina per tirare o spingere carichi e l'impiego della macchina per tagliare vegetazione non erbacea.

Rischi residui - Indossare guanti e occhiali protettivi quando si esegue la manutenzione o si sostituiscono le lame in caso di lesioni.

Non prolungare il cavo tra l'alimentatore e la stazione di ricarica.



AVVERTENZA

- Non toccare le parti mobili pericolose prima che si siano completamente fermate.
- Tenere il cavo di alimentazione, l'alimentatore, la prolunga e tutti gli altri cavi elettrici non appartenenti al prodotto al di fuori dell'area di taglio per mantenerli a distanza dalle parti mobili pericolose ed evitare di danneggiare i cavi che potrebbero entrare in contatto con parti sotto tensione. L'inosservanza delle istruzioni contenute nel manuale comporta il rischio di lesioni o di morte per l'operatore o per gli astanti.
- Tagliaerba automatico! Tenere lontano dalla macchina! I bambini devono essere supervisionati!
- Conservare tutte le avvertenze e le istruzioni per riferimenti futuri.

sicurezza, le istruzioni, le illustrazioni e le specifiche fornite con questo prodotto. La mancata osservanza di tutte le istruzioni elencate di seguito può provocare scosse elettriche, incendi e/o gravi lesioni.

1,2 Istruzioni Generali di Sicurezza

Sicurezza dell'area di lavoro

A. Non utilizzare le macchine in atmosfere esplosive, ad esempio in presenza di liquidi, gas o polveri infiammabili. Le macchine creano scintille che possono incendiare la polvere o i fumi.

B. Leggere attentamente le istruzioni. Conoscere i comandi e l'uso corretto della macchina.

C. Non consentire mai l'uso della macchina a persone che non conoscono queste istruzioni o a bambini. Le norme locali possono limitare l'età dell'operatore.

D. L'operatore o l'utente è responsabile degli incidenti o dei pericoli che si verificano ad altre persone o alle loro proprietà.

Sicurezza elettrica

A. Le spine di rete devono corrispondere alla presa di corrente. Non modificare mai la spina in alcun modo. Non utilizzare spine per caricabatterie con dispositivi dotati di messa a terra. Le spine non modificate e le prese corrispondenti riducono il rischio di scosse elettriche.

B. Evitare il contatto del corpo con superfici collegate a terra o a massa, come tubi, radiatori, cucine e frigoriferi. Il rischio di scosse elettriche aumenta se il corpo è collegato a terra.

C. Non abusare dei cavi di alimentazione. Non utilizzare mai il cavo di alimentazione per trasportare, tirare o scollegare un dispositivo. Tenere i cavi di alimentazione lontani da calore, olio, bordi taglienti o parti in movimento. I cavi di alimentazione danneggiati o aggrovigliati aumentano il rischio di scosse elettriche.

D. Se è inevitabile far funzionare un dispositivo alimentato dalla rete elettrica in un luogo umido, utilizzare un'alimentazione protetta da un dispositivo di corrente residua (RCD). L'uso di un RCD riduce il rischio di scosse elettriche.

E. Assicurare la corretta installazione del sistema di delimitazione automatica del perimetro come da istruzioni.

F. Ispezionare periodicamente l'area di utilizzo della macchina e rimuovere sassi, bastoni, fili, ossa e altri ostacoli.

G. Controllare regolarmente che le lame, i bulloni delle lame e il gruppo di taglio non siano usurati o danneggiati. Sostituire le lame e i bulloni usurati o danneggiati in serie per preservare l'equilibrio.

H. Sulle macchine a più mandrini, prestare attenzione poiché la rotazione di una lama può provocare la rotazione di altre lame.

Sicurezza personale

A. Non consentire l'utilizzo della macchina a persone che non hanno familiarità con la macchina o con le presenti istruzioni. Le macchine sono pericolose nelle mani di utenti non addestrati.

B. Rimanere vigili, fare attenzione a ciò che si fa e usare il buon senso quando si utilizza la macchina. Non utilizzare la macchina quando si è stanchi o sotto l'effetto di droghe, alcol o farmaci. Un momento di disattenzione durante l'uso della macchina può causare gravi lesioni personali.

C. Prima di utilizzare la macchina, rimuovere le chiavi di regolazione o le chiavi. Una chiave o una pinza lasciata attaccata a una parte rotante della macchina può provocare lesioni personali.

D. Quando si controlla la macchina manualmente, è necessario mantenere sempre un appoggio e un equilibrio corretti. Ciò consente di controllare meglio la macchina in situazioni impreviste.

E. Non lasciare che la familiarità acquisita con l'uso frequente delle macchine permetta di diventare compiacenti e di ignorare i principi di sicurezza della macchina. Un'azione incauta può causare 1101 gravi lesioni in una frazione di secondo.

Uso e cura della macchina

A. Scollegare la spina dalla fonte di alimentazione e/o rimuovere il pacco batteria (se staccabile) dalla macchina o da altri dispositivi prima di effettuare regolazioni, cambiare accessori o riporre la macchina. Queste misure di sicurezza preventive riducono il rischio di avviamento involontario.

B. Manutenzione delle macchine e degli accessori. Scollegare la spina dalla fonte di alimentazione e/o rimuovere il pacco batteria (se staccabile) dalla macchina o da altre apparecchiature prima di effettuare regolazioni, cambiare accessori o riporre la macchina. Se danneggiata, farla riparare prima dell'uso. Molti incidenti sono causati da una cattiva manutenzione di macchine e accessori.

C. Utilizzare la macchina e gli accessori in conformità alle presenti istruzioni, tenendo conto delle condizioni di lavoro e dell'attività da svolgere. L'uso della macchina per operazioni diverse da quelle previste potrebbe causare situazioni di pericolo.

D. Non utilizzare mai la macchina con protezioni difettose o senza dispositivi di sicurezza.

E. Non mettere mani o piedi vicino o sotto le parti rotanti. Tenersi sempre lontani dall'apertura di scarico.

F. Non sollevare o trasportare mai la macchina mentre il motore è in funzione.

G. Attivare il blocco del dispositivo/impostare in "LOCK" la macchina
- prima di eliminare un blocco;
- prima di controllare, pulire o lavorare sulla macchina.

H. Non lasciare la macchina incustodita se si sa che nelle vicinanze ci sono animali domestici, bambini o persone.

Assistenza

A. Affidare la manutenzione della macchina a un tecnico qualificato che utilizzi esclusivamente parti di ricambio identiche. In questo modo si garantisce la sicurezza della macchina.

B. Mantenere stretti tutti i dadi, i bulloni e le viti per garantire che la macchina sia in condizioni di lavoro sicure.

C. Controllare frequentemente che il raccogliherba non sia usurato o deteriorato.

D. Sostituire le parti usurate o danneggiate per garantire la sicurezza.

E. Assicurarsi che vengano sostituite le lame corrette.

F. Assicurarsi che le batterie siano caricate utilizzando il caricabatterie corretto raccomandato dal produttore. Un utilizzo non corretto può provocare scosse elettriche, surriscaldamento o fuoriuscita di liquido corrosivo dalla batteria.

G. In caso di perdita di elettrolito, sciacquare con acqua/neutralizzante e rivolgersi a un medico in caso di contatto con gli occhi, ecc.

H. La manutenzione della macchina deve essere eseguita secondo le istruzioni del produttore.

Uso e cura degli strumento di BATTERIA

A. Ricaricare solo con il caricabatterie specificato dal produttore. Un caricabatterie adatto a un tipo di batteria può creare un rischio di incendio se utilizzato con un'altra batteria.

B. Utilizzare gli utensili elettrici solo con le batterie specificatamente indicate. L'uso di altre batterie può comportare il rischio di lesioni e incendi.

C. Quando la batteria non è in uso, tenerla lontana da altri oggetti metallici, come graffette, monete, chiavi, chiodi, viti o altri piccoli oggetti metallici, che possono creare un collegamento da un terminale all'altro. Il cortocircuito dei terminali della BATTERIA può causare ustioni o incendi.

D. In caso di condizioni difficili, dalla BATTERIA può fuoriuscire del liquido; evitare il contatto. In caso di contatto accidentale, sciacquare con acqua. Se il liquido entra in contatto con gli occhi, rivolgersi immediatamente a un medico. Il liquido espulso dalla BATTERIA può causare irritazioni o ustioni.

E. Non utilizzare batterie o strumenti danneggiati o modificati. Le batterie danneggiate o modificate possono avere un comportamento imprevedibile e causare incendi, ESPLOSIONI o rischi di lesioni.

F. Non esporre il pacco batterie o l'utensile al fuoco o a temperature eccessive. L'esposizione al fuoco o a temperature superiori a 130 °C può causare esplosioni.

G. Seguire tutte le istruzioni di carica e non caricare la batteria o l'utensile al di fuori dell'intervallo di temperatura specificato nelle istruzioni. Una carica impropria o a temperature non comprese nell'intervallo specificato può danneggiare la BATTERIA e aumentare il rischio di incendio.

1.3 Istruzioni di Sicurezza per l'Installazione

A. Non installare la stazione di ricarica, compresi gli accessori, in una posizione che si trovi al di sotto o a meno di 24 pollici da qualsiasi materiale combustibile. In caso di malfunzionamento, il riscaldamento della stazione di ricarica e dell'alimentatore potrebbe causare un potenziale rischio di incendio.

B. Non collocare l'alimentatore a un'altezza tale da rischiare di finire in acqua. Non collocare l'alimentatore a terra.

C. Non incapsulare l'alimentatore. L'acqua di condensa può danneggiare l'alimentatore e aumentare il rischio di scosse elettriche.

D. Applicabile a USA/Canada. Se l'alimentatore è installato all'esterno: Rischio di Scosse Elettriche. Installare solo su una presa GFCI (RCD) di Classe A coperta, con involucro resistente alle intemperie e accesso per inserire o rimuovere il coperchio della spina di collegamento.

E. Non installare la stazione di ricarica in luoghi a rischio di acqua stagnante.

1.4 Istruzioni di sicurezza per il funzionamento quotidiano

A. Tenere mani e piedi lontani dalle lame rotanti. Non mettere le mani o i piedi vicino o sotto il prodotto quando è impostato su ON.

B. Utilizzare la modalità di parcheggio o impostare il prodotto su OFF quando persone, in particolare bambini o animali, si trovano nell'area di lavoro.

C. Assicurarsi che sul prato non vi siano oggetti come pietre, rami, attrezzi o giocattoli. Le lame possono danneggiarsi se urtano contro un oggetto.

D. Non sollevare o spostare il prodotto quando è impostato su ON.

E. Non lasciare che il prodotto si scontri con persone o animali. Se una persona o un animale intralcia il prodotto, fermarlo immediatamente.

F. Non collocare oggetti sopra il prodotto o la stazione di ricarica.

G. Non utilizzare il prodotto se il pulsante STOP non funziona.

H. Impostare sempre il prodotto su OFF quando non è in funzione.

I. Non utilizzare il prodotto e un irrigatore a scomparsa contemporaneamente. Utilizzare contemporaneamente la funzione di programmazione.

J. Non far funzionare il prodotto in presenza di acqua stagnante nell'area di lavoro, ad esempio in presenza di pozze d'acqua formatesi a causa di forti piogge.

1.5 Istruzioni di Sicurezza per la Manutenzione

A. Impostare il prodotto su OFF quando si esegue la manutenzione del prodotto.

B. Non utilizzare una lavatrice ad alta pressione per pulire il prodotto. Non utilizzare solventi per pulire il prodotto.

C. Scollegare la spina dalla stazione di ricarica prima di pulire o eseguire interventi di manutenzione sulla stessa.

1.6 Sicurezza della Batteria

Le batterie agli ioni di litio possono esplodere o causare incendi se smontate, cortocircuitate o esposte all'acqua, al fuoco o a temperature elevate. Maneggiare con cautela e non smontare o aprire la batteria o ricorrere a qualsiasi tipo di abuso elettrico/meccanico. Evitare lo stoccaggio alla luce diretta del sole.

2. Simboli e Decalcomanie




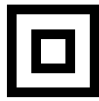

Questi simboli sono presenti sul prodotto. Si prega di leggerli attentamente.

	AVVERTENZA: Leggere le istruzioni per l'uso prima di utilizzare il prodotto.
	AVVERTENZA: Disattivare il prodotto prima di lavorare o sollevare la macchina. Non toccare mai la lama rotante.
	AVVERTENZA: Mantenere una distanza di sicurezza dalla macchina durante il funzionamento. Tenere le altre persone lontane dall'area di pericolo.
	AVVERTENZA: Non salire sulla macchina.
	Utilizzare un alimentatore staccabile come definito sull'etichetta dei valori nominali accanto al simbolo.
	Marchio di conformità della CE.
	Livello di potenza sonora, determinato dalla direttiva europea sul rumore esterno. Le emissioni del prodotto sono riportate nei Dati tecnici a pagina 6 e sulla targhetta, sulla targhetta identificativa.
	Non smaltire questo prodotto tra i normali rifiuti domestici. Assicurarsi che il prodotto venga riciclato in conformità ai requisiti di legge locali.
	Classe III
	DC









Simboli sul pacco batteria

	Leggere le istruzioni per l'uso.
	Non gettare la batteria nel fuoco e non esporla a fonti di calore.
	Non immergere la batteria in acqua.
	Marchio riciclabile.
	Non è consentito smaltire questo pacco batteria tra i normali rifiuti domestici. Assicurarsi che il pacco batteria venga riciclato in conformità ai requisiti di legge locali.

Simboli sul caricabatterie

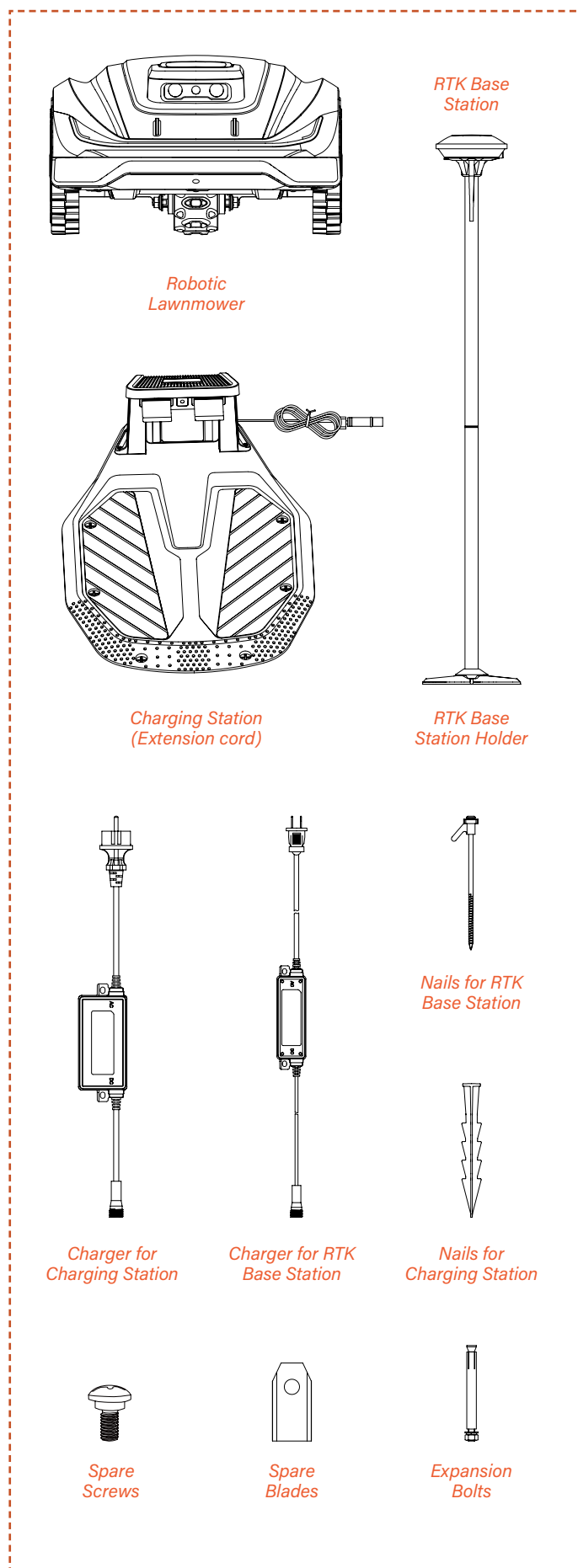
	<i>Leggere le istruzioni per l'uso.</i>
T3.15A 	<i>Sostituire con un fusibile conforme al valore nominale.</i>
T2A 	<i>Sostituire con un fusibile conforme al valore nominale.</i>
	<i>Costruzione di classe II.</i>
	<i>Non smaltire i rifiuti indifferenziati, ma inviarli a centri di raccolta differenziata per il recupero e il riciclaggio in conformità con le disposizioni di legge locali. requisiti di legge locali.</i>

Simboli sullo schermo del robot

	<i>Accensione/spengimento</i>
	<i>Pulsante di avvio</i>
	<i>Pulsante Home</i>
	<i>Pulsante Ok</i>
	<i>Impostazione del codice PIN</i>
	<i>Impostazione dei tempi</i>
	<i>Bluetooth</i>
	<i>Wi-Fi</i>

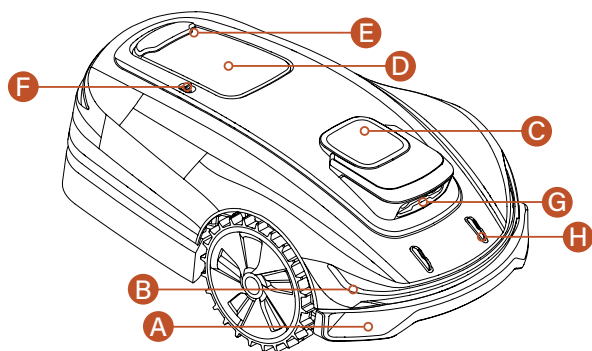
3. Contenuto e Specifiche

3.1 Contenuto della Scatola

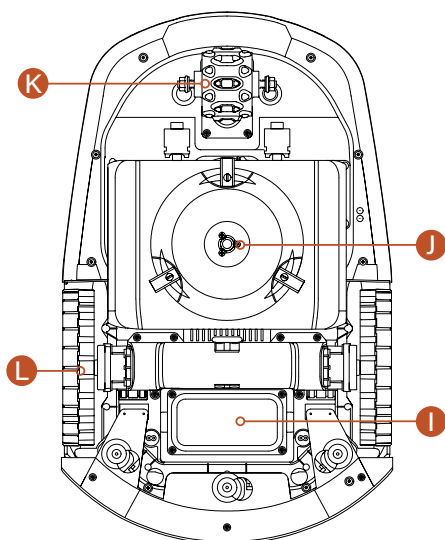


3.2 Parti e Funzioni

Vista dall'Alto



Vista dal Basso



H - Elettrodi di carica - Gli elettrodi di carica della macchina si collegano a quelli della stazione di carica per caricare la batteria della macchina.

I - Vano batteria - Il vano per riporre la batteria.

J - Piatto di taglio rotante - Dispositivo per tagliare il prato quando la macchina è in funzione.

K - Motore del mozzo della ruota - Un eccellente dispositivo di controllo dello sterzo e di alimentazione per il funzionamento.

L - Ruote motrici - Potenza di movimento con eccellenti capacità fuoristrada.

NOTA

Non immergere la macchina in acqua per non danneggiare i componenti e invalidare la garanzia entro il periodo previsto.

A - Paraurti anticollisione: quando non è possibile posizionare visivamente la macchina, il paraurti anticollisione può garantirne il normale funzionamento.

B - Luci a LED - LED interagenti sul tosaerba indicano lo stato di funzionamento della macchina.

C - Antenna di posizionamento RTK - Dispositivo di posizionamento interattivo per la stazione di Base RTK, la macchina e i satelliti.

D - Pannello di controllo - Il pannello che consente di accendere e spegnere la macchina, di comandarne il funzionamento o il ritorno, ecc.

E - Pulsante STOP - Pulsante di arresto di emergenza per arrestare la macchina in caso di situazioni urgenti.

F - Sensore della pioggia - Il sensore della pioggia è in grado di rilevare la pioggia e la macchina può tornare automaticamente alla stazione di ricarica per evitare la pioggia in base alle impostazioni dell'utente.

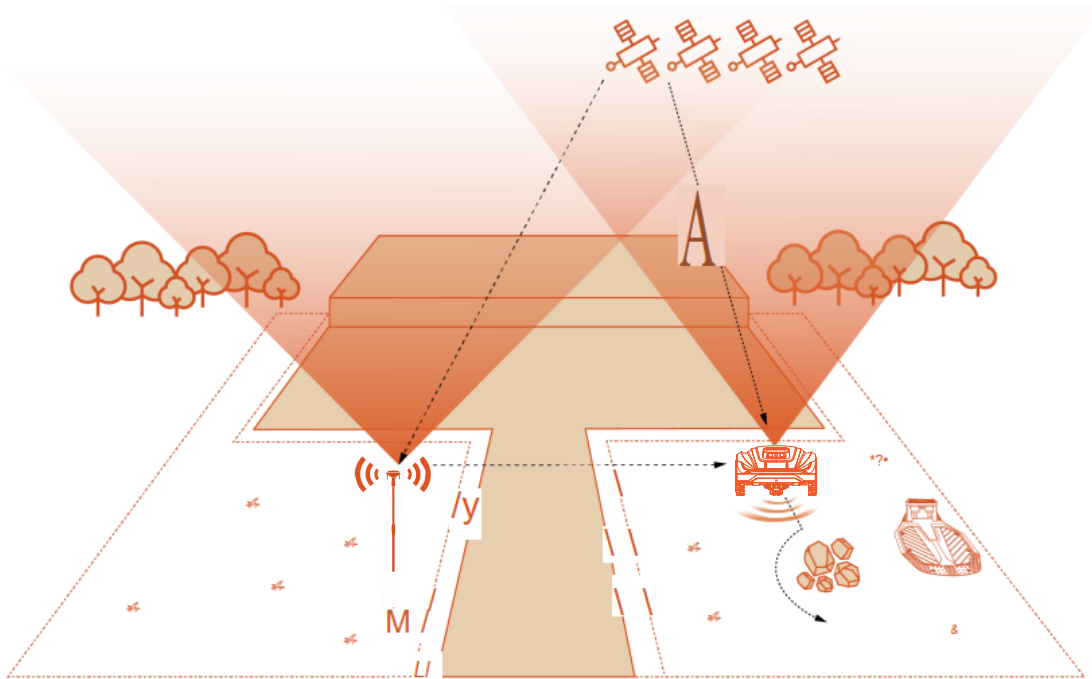
G - Telecamera binoculare - La telecamera binoculare assistita aiuta il tosaerba a rilevare ed evitare gli ostacoli.

3.3 Specifiche

SPECIFICHE TECNICHE	X5-2000 RMX2000L20V
Filo di confine	Senza fili / senza confini
Area di taglio massima	2000m ²
Altezza di taglio min/max	20-60mm
Regolazione dell'altezza	Manual
Larghezza di taglio	22cm
Capacità della Batteria	5 Ah
Interfaccia dell'utente	Visualizzazione dell'APP e del tastierino
Pendenza massima	30° (60%)
Dimensioni del robot	680*420*275 cm
Certificati	CE RoHS
Peso netto	11.8 kg
Livello di potenza della sonora LWA	60dB (A)
Incertezze della potenza della sonora KWA	3dB(A)
Livello di pressione della sonora LpA	52dB (A)
Incertezze della potenza della sonora KpA	3dB(A)
CARATTERISTICHE	
Wifi / Bluetooth	▪
Mappatura intelligente	▪
Pianificazione del percorso	3 opzioni
VSLAM	▪
Super Wifi	▪
FOTA	▪
Ritorno rapido alla stazione di ricarica	▪
Ruote a trazione integrale (AWD)	3 ruote
Mappa del Giardino su APP	▪
Zone multiple	Fino a 8
Programma di lavoro (impostato nell'APP)	Impostazione automatica o manuale tramite APP
Sensore di dosso	▪
Lavaggio ad acqua	▪
Antifurto: tramite GPS + 4G*	○
Assistente Google e Amazon Alexa	▪
Codice PIN	▪
Sensore di sollevamento e inclinazione	▪
senso della pioggia	▪
Modalità ecologica	▪
Luci della testa a LED	▪
ACCESSORI	
Chiodi per il montaggio della base	8 pezzi
Caricabatterie	3 A (CGF253)
Alimentazione	1.1 A (CGF251)/2 A (CGF152)

4. Installazione

La tecnologia di posizionamento satellitare RTK a piena frequenza consente al tosaerba di acquisire informazioni di localizzazione di alta precisione. Insieme alla tecnologia VSLAM e all'AI (Intelligenza Artificiale di Riconoscimento) di Sunseeker, il robot è in grado di eseguire compiti di posizionamento e navigazione in vari scenari, compresi gli ambienti complessi, garantendo una manutenzione del prato di alta qualità. L'hardware e il software avanzati di Sunseeker (algoritmi intelligenti) migliorano significativamente il riconoscimento dell'ambiente, l'accuratezza del posizionamento e le prestazioni complessive del tosaerba. Analogamente al cervello umano, gli algoritmi avanzati di Sunseeker elaborano le informazioni provenienti da RTK (Real-Time Kinematic), VSLAM (Visual Simultaneous Localization and Mapping), IMU (Inertial Measurement Unit) e odometri per ottimizzare il riconoscimento dell'ambiente in varie condizioni. La tecnologia Sunseeker RTK, che riceve segnali satellitari a piena frequenza ed esegue il posizionamento in tempo reale, consente agli utenti di impostare confini virtuali per i loro tosaerba, eliminando la necessità di fili di confine tradizionali. All'interno di questi confini virtuali, il tosaerba può pianificare i suoi percorsi di taglio con grande precisione ed efficienza, ottenendo una copertura di taglio ottimale.

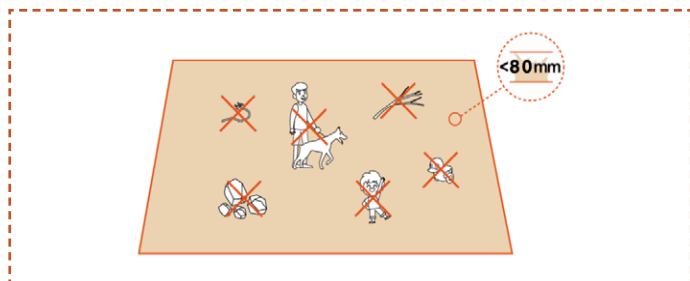


4,1 Preparazione

Preparare il prato

- A. Rimuovere eventuali detriti, mucchi di foglie, giocattoli, fili, pietre o altri ostacoli.
- B. Per garantire la sicurezza, assicurarsi che i bambini e gli animali domestici siano lontani dal prato.
- C. Prima di utilizzare il tosaerba robotizzato, tagliare il prato a un'altezza non superiore a 80 mm.
- D. Le dimensioni totali del prato vanno da 2000 m².

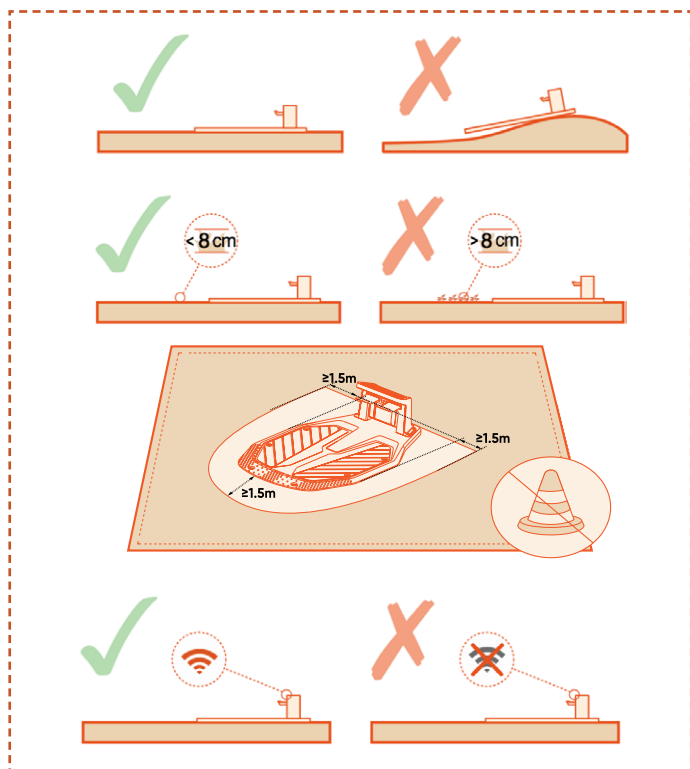
I tipi di prato consigliati sono mostrati nelle immagini seguenti:



4.2 Installare la Stazione di Ricarica

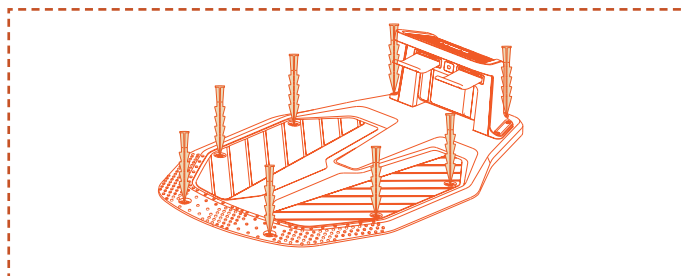
Trovare una posizione adeguata

Per garantire che il tosaerba possa uscire e rientrare nella stazione di ricarica, installare la stazione di ricarica su un terreno aperto e pianeggiante coperto da WIFI domestico. Non devono esserci ostacoli nel raggio di 1,5 m davanti alla stazione di ricarica. Se c'è dell'erba, deve essere più bassa di 8 cm.

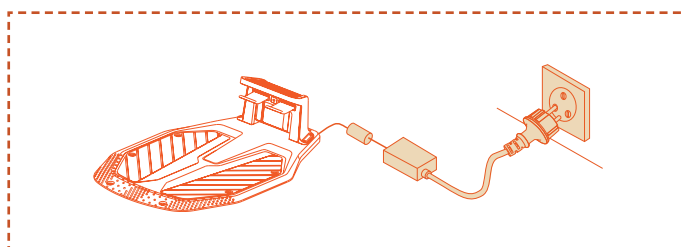


Installazione della stazione di ricarica

A. Inchiodare la stazione di ricarica su un terreno piano e non indurito.



B. Collegare il cavo di alimentazione alla rete elettrica. Se c'è una distanza significativa tra la stazione di ricarica e l'alimentatore, assicurarsi che il cavo di alimentazione sia fissato saldamente al terreno e alla parete per garantire un funzionamento sicuro.

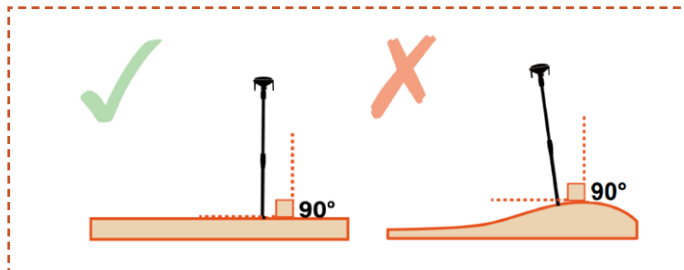


C. Se non è possibile ottenere un'apertura totale su tutti i lati, mantenere almeno il cielo meridionale libero se ci si trova nell'emisfero settentrionale, o il cielo settentrionale se ci si trova nell'emisfero meridionale. Cercate di mantenere i lati est e ovest liberi da ostacoli.

4.3 Installazione della Stazione Base RTK

Trovare una posizione adeguata

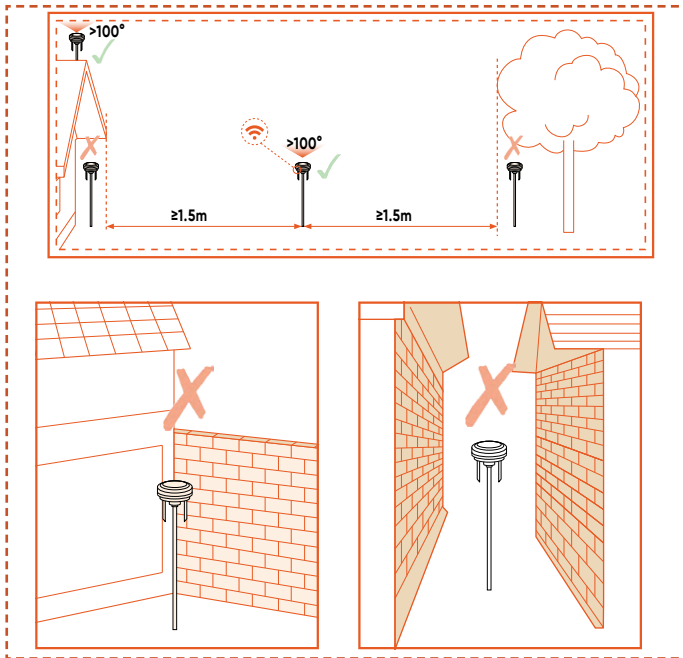
A. Posizionare la stazione base RTK in verticale. Evitare di installare la stazione base RTK in pendenza.



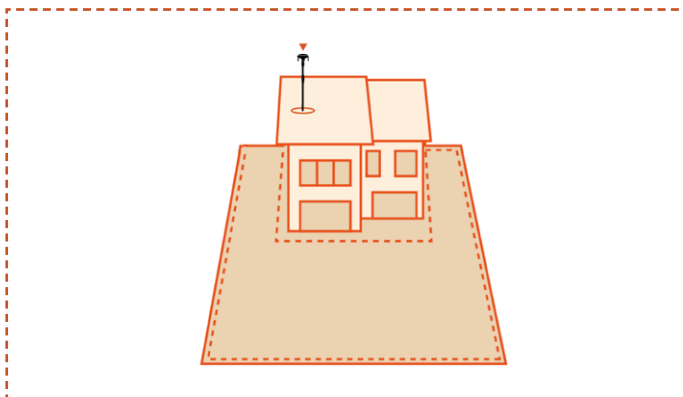
B. La posizione deve essere coperta dalla rete Wi-Fi domestica.

C. Per garantire una buona ricezione dei segnali satellitari, installare la stazione in uno spazio aperto e pianeggiante, senza che nulla blocchi il segnale, con un angolo di ricezione del segnale di almeno 100° e un cielo libero.

D. La distanza tra la stazione base RTK e le pareti o gli alberi deve essere superiore a 1,5 m.



E. Se avete prati separati o se il vostro prato ha la forma di una lettera "O" o "U", vi consigliamo di installare la stazione base RTK sul tetto o sul muro.



F. Se non è possibile ottenere un'apertura totale su tutti i lati, mantenere almeno il cielo meridionale libero se ci si trova nell'emisfero settentrionale, o il cielo settentrionale se ci si trova nell'emisfero meridionale. Cercate di mantenere i lati est e ovest liberi da ostacoli.

Installazione della stazione base RTK

- Utilizzare dei chiodi per installare la stazione base RTK in una posizione con una fonte di alimentazione accessibile.
- Collegare il cavo di prolunga e il caricabatterie alla stazione base RTK.
- Collegare la stazione base RTK alla fonte di alimentazione.

Controllare il segnale satellitare



Indicatore Luminoso di Posizione

- Verde fisso: Segnale satellitare buono in questa posizione.
- Arancione fisso: Segnale satellitare debole in questa posizione; si consiglia di reinstallare la stazione base in un'area con un segnale migliore, libera da ostacoli.
- Rosso fisso: Segnale satellitare molto debole in questa posizione; è necessario reinstallare la stazione base in un'area con un segnale migliore, libera da ostacoli.

Indicatore Luminoso Wi-Fi

- Verde fisso: Wi-Fi connesso e accesso al server stabilito
- ⬮ Verde lampeggiante: Wi-Fi connesso o non connesso al server
- Nessuna luce verde: Wi-Fi non connesso

Indicatore luminoso Super Wi-Fi

- Verde fisso: Comunicazione normale
- ⬮ Verde lampeggiante: Accoppiamento in corso
- Nessuna luce verde: Anomalia di comunicazione

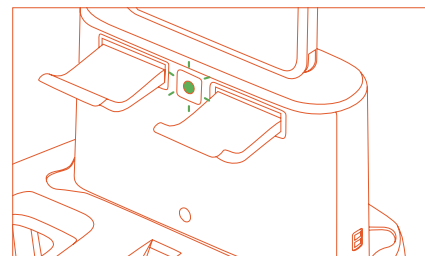
Indicatore luminoso di alimentazione

- Verde fisso: Anomalia di alimentazione
- ⬮ Verde lampeggiante: Alimentazione normale
- Nessuna luce verde: Assenza di alimentazione

4.4 Caricare e Attivare il Tosaerba

Caricare il tosaerba

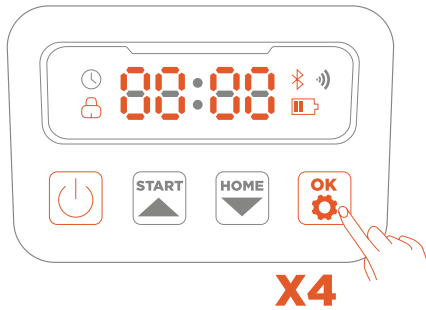
Spingere il tosaerba nella stazione di ricarica e assicurarsi che gli elettrodi di ricarica siano collegati correttamente. Il lampeggiamento della spia verde sulla stazione di ricarica indica una carica normale.



Attivare il tosaerba

- Premere a lungo il pulsante di accensione e inserire la password. Il codice PIN predefinito è "0000". Premere OK ogni volta che si inserisce 0 per completare la procedura di impostazione.
- Quando si inserisce la password, è possibile utilizzare il tasto START come tasto più (+) e il tasto HOME come tasto meno (-).

C. Se si desidera modificare la password, premere a lungo il tasto Start e il tasto Home contemporaneamente per modificare la password.



Nota

Se la spia rimane spenta anche se l'alimentazione è corretta, contattare l'assistenza clienti.



Attenzione

- Non far cadere i caricatori a terra all'interno dei confini virtuali.
- Se la stazione di ricarica è installata all'interno dei confini virtuali, fissare la prolunga al suolo per garantire il corretto funzionamento del tosaerba.



AVVERTENZA

- NON caricare se la macchina, il caricatore, la stazione di ricarica o la presa di corrente sono danneggiati.
- NON caricare il tosaerba quando la temperatura è superiore a 40 °C (104 °F) o inferiore a 5 °C (41 °F). La carica non avviene se si superano i limiti di temperatura.
- Interrompere immediatamente la carica se si avvertono odori, suoni o luci anomale.
- Evitare la ricarica in prossimità di materiali infiammabili o esplosivi.

4.5 Collegamento all'App

NOTA

Le seguenti illustrazioni dell'applicazione sono solo a scopo dimostrativo. Le opzioni disponibili possono variare a seconda della versione del software.

Come utilizzare l'App Sunseeker

- Assicurarsi che la macchina sia sulla stazione di ricarica e che si stia caricando correttamente.
- Scansionare il codice QR per scaricare l'App Robotic Mower, oppure cercare "Robotic Mower" nel Google Play Store (Android) o nell'Apple App Store (iOS) per completare la configurazione.



iOS



Android



C. Creare un nuovo account e accedere. Attivare il Bluetooth e il Wi-Fi del telefono. Scansionare il codice QR SN della macchina per aggiungere il vostro tosaerba robotico. Dopo l'accoppiamento, inserire la password predefinita della macchina 0000. Le password possono essere modificate sul telefono.

D. Configurare il Wi-Fi per la macchina nell'App. La macchina deve essere collegata allo stesso Wi-Fi del telefono cellulare. Immettere il nome e la password del proprio WiFi domestico.

E. Collegarsi al Wi-Fi. Una volta che la connessione è riuscita. Quando la connessione è riuscita, l'icona Wi-Fi sul robot e sull'APP si accende.

F. Dare un nome al robot.

NOTA

Quando necessario, l'App richiederà l'accesso alle reti Bluetooth e Wi-Fi; per garantire una corretta configurazione e una futura funzionalità, concedere l'accesso a queste funzioni.

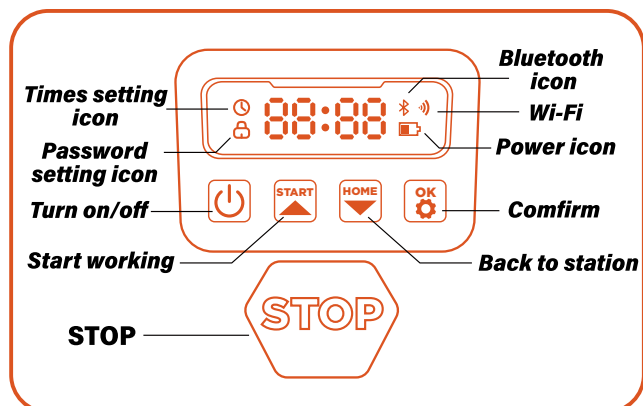
Utilizzare l'App Robotic Mower per

- Collegare e attivare il tosaerba.
- Creare una mappa (area di lavoro).
- Monitorare lo stato e l'avanzamento del lavoro del tosaerba e controllarne a distanza le operazioni come l'avvio, l'arresto o il ritorno alla stazione di ricarica.
- Visualizzare e modificare le impostazioni di lavoro del tosaerba (programma di falciatura, altezza di taglio, gestione delle mappe).
- Visualizzazione e modifica delle impostazioni di sicurezza/ funzione del tosaerba (PIN, arresto lama, ecc.).
- Visualizzare o aggiornare la versione del firmware del dispositivo, visualizzare lo stato del collegamento di rete.
- Sbloccare, modificare o aggiungere dispositivi.
- Ottenere informazioni di aiuto e assistenza post-vendita.

5. Funzionamento Giornaliero

5,1 Visualizzazione e Comandi sul Tosaerba

Visualizzazione



Icona dell'alimentazione: L'icona dell'alimentazione della batteria mostra la potenza residua della macchina. L'icona con 1 barra indica che la potenza è pari o inferiore al 30%, con 2 barre indica che la potenza residua è compresa tra il 31 e il 66% e con 3 barre indica una potenza pari o superiore al 67%.

Icona del Wi-Fi: L'icona Wi-Fi indica se la macchina si connette correttamente al Wi-Fi o meno.

Icona del bluetooth: L'icona del Bluetooth indica se la macchina si è connessa correttamente al Bluetooth o meno.

Icona dell'impostazione dell'ora: L'icona di impostazione dell'ora indica che la macchina è entrata in modalità di impostazione dell'ora.

Icona di impostazione della password: L'accensione dell'icona del lucchetto indica che è necessario inserire la password o modificare la password della macchina.

Visualizzazione del cruscotto: La visualizzazione del cruscotto mostra i diversi stati e modalità in cui si trova la macchina:

- . **idle:** La macchina è in modalità di attesa e non ci sono attività in esecuzione in questo momento.
- . **Spia di marcia:** La macchina è in modalità di lavoro. In questo momento il disco sta ruotando ad alta velocità. Tenersi lontani da esso.
- . **----**: Quando si accende il ritardo pioggia, la macchina riconosce che in questo momento sta piovendo, termina il lavoro in corso e torna alla stazione di ricarica.
- . **stop:** È stato premuto il pulsante di arresto di emergenza della macchina.

Controllo di Base

Accensione: Tenere premuto il pulsante di accensione per 2 s.

Spegnimento: Tenere premuto il pulsante di accensione per 3 s.

Il tosaerba non può essere spento quando si trova nella stazione di ricarica. Quando il tosaerba è spento, sul cruscotto viene visualizzata la parola "bye" e lo schermo si spegne.

Avvio del lavoro/Accensione: Premere il pulsante START e poi

OK.

Ritorno alla stazione/Spegnimento: Premere il pulsante HOME e poi OK.

Arresto del funzionamento del tosaerba: Premere STOP.

Riavviare il tosaerba: Tenere premuto il pulsante di accensione per 10 secondi per spegnere la macchina, quindi riaccenderla o spingere direttamente la macchina nella stazione di ricarica e collegarla agli elettrodi di ricarica sulla stazione.

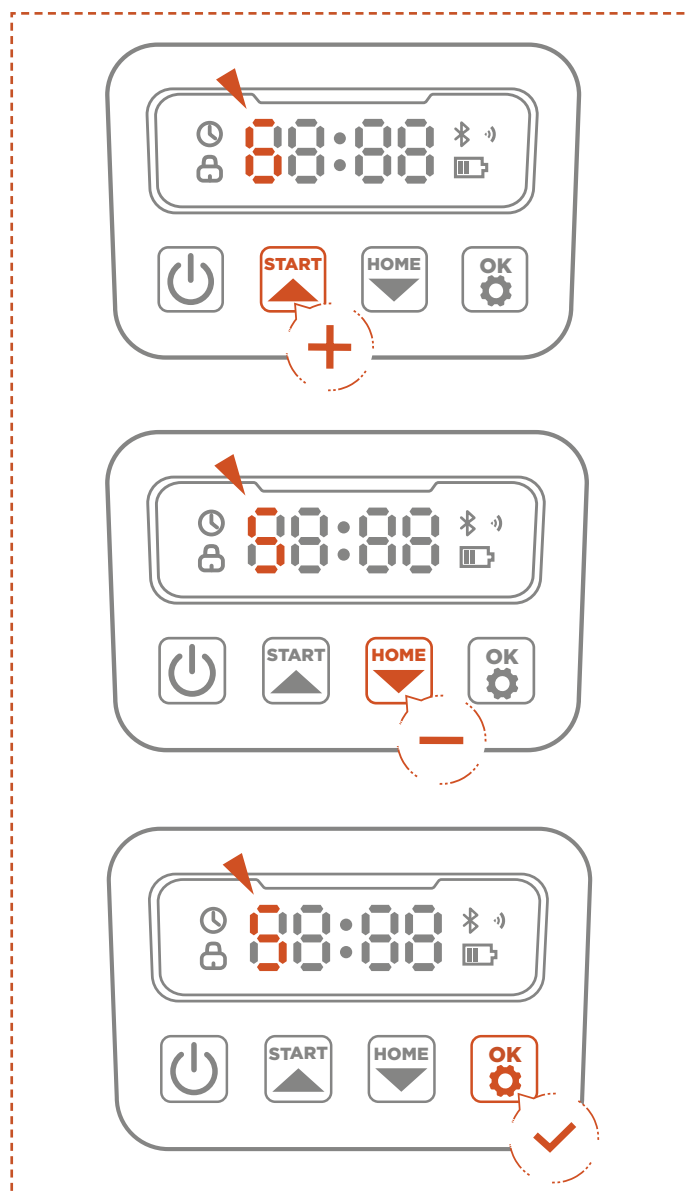
5.2 Modifica del codice PIN

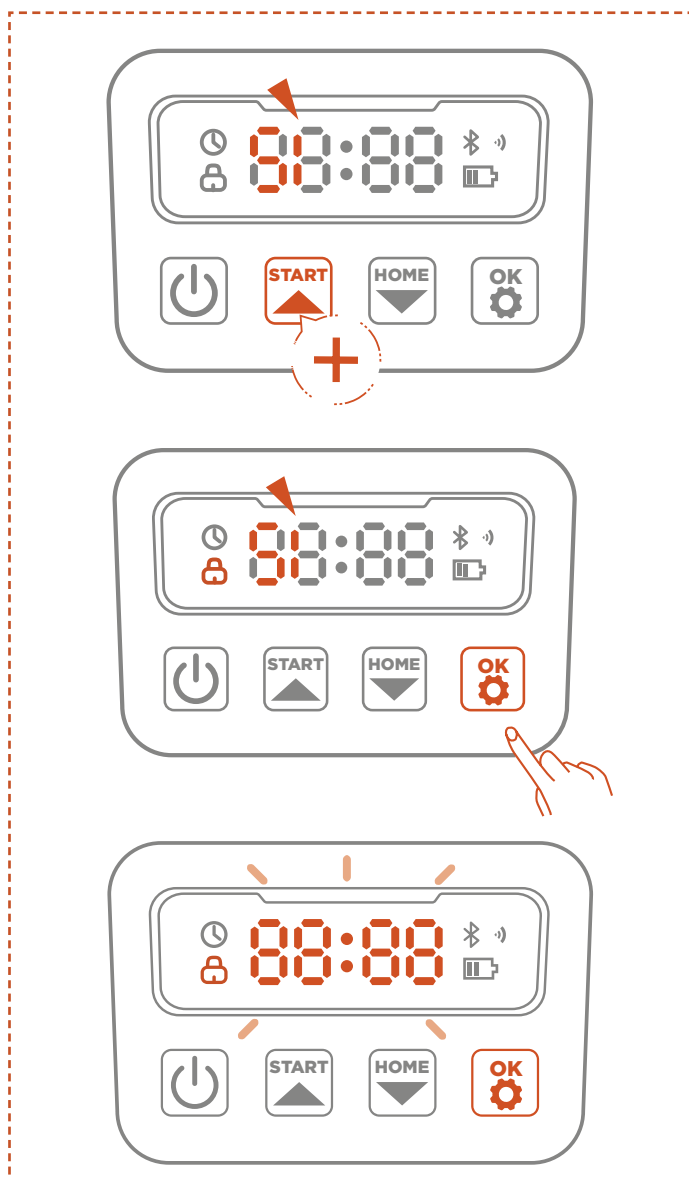
Se il tosaerba è in stato di blocco, inserire il codice PIN prima di azionarlo manualmente. Il codice predefinito può essere modificato tramite App Tagliaerba Robotico.

- Premere a lungo i pulsanti START e HOME per 3 secondi.
- Quando viene visualizzato PIN1 e dopo la comparsa di "0---", inserire la vecchia password.
- Quando viene visualizzato PIN2 e dopo la comparsa di "0--", immettere la nuova password. Premere OK per confermare.

Nota

Se il codice pin viene inserito in modo errato, il display visualizza "ERR".





5.3 IoT

La Piattaforma X è un dispositivo d'Internet of Things (IoT). Collegare il tosaerba a Internet tramite la rete cellulare o la rete Wi-Fi consente di attivare le seguenti funzionalità:

A. Aggiornamenti del firmware Over-The-Air (OTA), per mantenere il tosaerba aggiornato alle ultime funzioni.

B. Abilitazione del controllo remoto attraverso la rete:

avvio della falciatura, arresto della falciatura, ritorno alla stazione di ricarica, impostazione del programma di falciatura, impostazione dell'altezza di taglio e altre funzioni.

C. Monitorare a distanza l'avanzamento dello sfalcio e la posizione del tosaerba.

D. Segnalare i codici di errore e lo stato del tosaerba attraverso la rete.

Wi-Fi

La piattaforma X utilizza il Wi-Fi per connettersi a una rete. Per ulteriori dettagli, vedere Impostazione del Wi-Fi.

NOTA

- La piattaforma X supporta solo la rete Wi-Fi a 2,4 GHz.
- Se si utilizza un dispositivo iOS, il tosaerba può collegarsi solo alla rete Wi-Fi a cui è connesso il dispositivo mobile. Seguire le istruzioni dell'app. Collegare prima il dispositivo mobile alla rete del Wi-Fi, quindi collegare il tosaerba alla stessa rete del Wi-Fi. Non ci sono requisiti simili per i dispositivi dell'Android.

Aggiornamenti del firmware

Continueremo ad aggiornare il firmware del tosaerba. Se c'è una nuova versione del firmware, riceverete una notifica a comparsa nell'app. Si consiglia di effettuare l'aggiornamento non appena è disponibile l'ultimo firmware.

Quando si aggiorna il firmware, devono essere soddisfatte le condizioni riportate di seguito:

- La macchina è sulla stazione di ricarica.
- La rete è collegata.
- La carica della batteria è superiore al 30%.
- Non è previsto un piano di taglio tra un'ora.

Durante il processo di aggiornamento, la spia ambientale del tosaerba lampeggia in blu. È possibile vedere l'avanzamento dell'aggiornamento sulla propria app. Al termine dell'aggiornamento, la spia ambientale del tosaerba diventa verde.

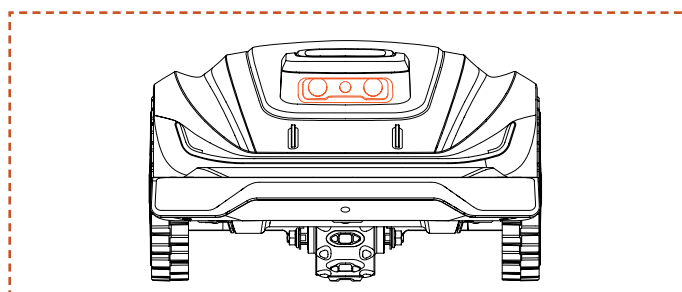
! AVVERTENZA

- NON spostare il tosaerba durante il processo di aggiornamento.

5.4 Evitare gli Ostacoli

Telecamera binoculare

La telecamera binoculare fa parte dell'equipaggiamento standard della Piattaforma X. È progettata per il rilevamento visivo dei confini, l'evitamento preventivo degli ostacoli e il riconoscimento visivo dei codici QR durante il processo di ricarica, rendendo il tosaerba più intelligente.



NOTA

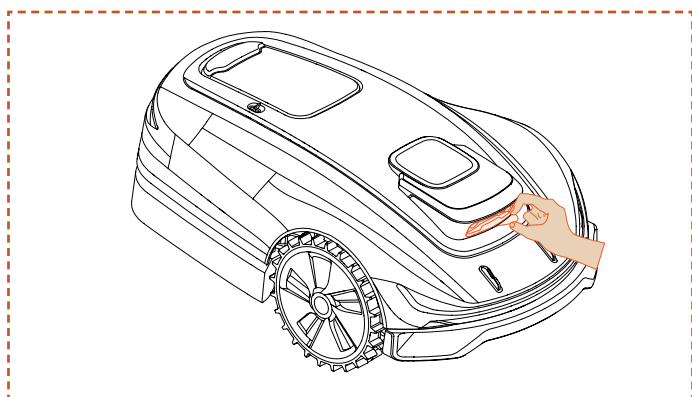
- Lavorare in ambienti bui può compromettere la capacità della macchina di riconoscere con precisione gli ostacoli e di evitarli rapidamente. Si consiglia di non utilizzare la macchina di notte.
- Se nel prato sono presenti troppi ostacoli, si consiglia di creare delle zone di interdizione intorno ad essi o di rimuovere alcuni ostacoli per migliorare l'efficienza della macchina.

Riconoscimento dell'intelligenza artificiale

Sunseeker AIR (Artificial Intelligence Recognition) ridefinisce la sicurezza con il sistema VSLAM basato su telecamera proprietaria e Sunseeker AIR, che offre un campo visivo più ampio (FOV) per rilevare gli ostacoli, anticipare la loro presenza e modificare sapientemente il percorso del tosaerba per evitarli. Le funzioni di evitamento degli ostacoli sono progettate per aumentare le prestazioni del tosaerba e migliorare la vostra sicurezza.

Sensore del paraurti

All'interno di Platform X sono installati dei sensori che rilevano gli ostacoli. Quando il paraurti urta un ostacolo e attiva il sensore, il tosaerba retrocede ed evita l'ostacolo.



NOTA

- La piattaforma X è in grado di evitare gli oggetti dopo averli urtati. Tuttavia, si raccomanda di rimuovere il disordine in eccesso prima di falciare.

6. Manutenzione

A. La manutenzione consente di ottenere risultati di taglio superiori e di prolungare la durata del tosaerba.

B. Un'ispezione e una manutenzione regolari da parte di un adulto ogni settimana sono essenziali per garantire le prestazioni ottimali della macchina.

C. Salvaguardate il vostro benessere rispettando le linee guida sulla sicurezza: evitate di eseguire la manutenzione indossando sandali aperti o a piedi nudi.

D. Date sempre priorità alla sicurezza indossando pantaloni lunghi e scarpe da lavoro durante la manutenzione del tosaerba.

E. Sostituire tempestivamente le parti danneggiate o usurate per garantire un funzionamento perfetto.

SOLO i tecnici autorizzati possono aprire e richiudere il scomparto del telaio situato dietro il paraurti. La garanzia limitata può essere annullata se si esegue la manutenzione in proprio.

AVVISO: ASSICURAZIONE

Le polizze assicurative potrebbero non coprire gli incidenti che coinvolgono questo prodotto. Contattare il proprio assicuratore o agente per sapere se la copertura è prevista.

6.1 Pulizia

A. Spegnerne il tosaerba.

B. Utilizzare una spazzola o un panno delicato per pulire meticolosamente l'esterno, evitando solventi corrosivi come alcol, benzina o acetone. Queste sostanze possono danneggiare sia l'estetica che i componenti interni del tosaerba.

NOTA

- Per un aggancio perfetto, è fondamentale esaminare e pulire regolarmente la stazione di ricarica da eventuali detriti o accumuli di fango.

- Assicurarsi che tutte le parti di collegamento della stazione di ricarica, del cavo di prolunga e dell'alimentatore non siano ostruite per garantire prestazioni ottimali.

Telaio e disco della lama

A. Per pulire il telaio e il disco della lama, si consiglia di utilizzare una spazzola o un tubo dell'acqua.

B. Non utilizzare un'idropulitrice per evitare di danneggiarla.

C. Assicurarsi che il disco delle lame ruoti senza intoppie che le lame possano ruotare senza limitazioni.



ATTENZIONE

- L'acqua ad alta pressione può penetrare nelle guarnizioni e danneggiare le parti elettroniche e meccaniche.

Ruote

L'erba sulle ruote può compromettere le prestazioni del tosaerba in salita. Utilizzare la spazzola per rimuovere il fango o altri oggetti interposti per garantire una buona presa.

senso della pioggia

A. Controllare il sensore pioggia una volta al mese e assicurarsi che non sia coperto da fango, erba o altri oggetti.

B. Lavare via fango, erba o altri oggetti o utilizzare una spazzola morbida per pulirlo.

C. Asciugare l'area del sensore dopo la pulizia per evitare che si attivi come in caso di pioggia.

Macchina fotografica

Pulire regolarmente la fotocamera per mantenerla pulita.



AVVERTENZA

- Assicurarsi che il tosaerba sia spento prima della pulizia.
- Quando il tosaerba è capovolto, spegnerlo.

6.2 Sostituzione delle lame

Per migliorare le prestazioni di taglio e la sicurezza, si consiglia di sostituire le viti e le lame del tosaerba ogni 1-2 mesi se viene utilizzato frequentemente. Per un sistema di taglio sicuro, sostituire contemporaneamente tutte le lame e le relative viti. Fare riferimento alla sezione "Specifiche - accessori" per le parti utilizzabili.



AVVERTENZA

- Durante l'ispezione o la manutenzione della lama, indossare guanti spessi.
- NON riutilizzare le viti. Ciò potrebbe causare gravi lesioni.
- Si consiglia vivamente di utilizzare le viti corrette e le lame originali vendute da noi. (NO.80201457).

Come sostituire le lame

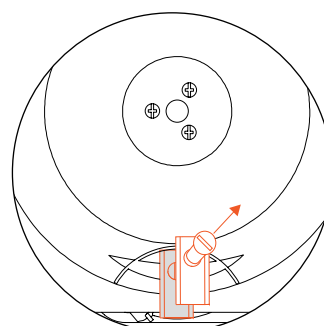
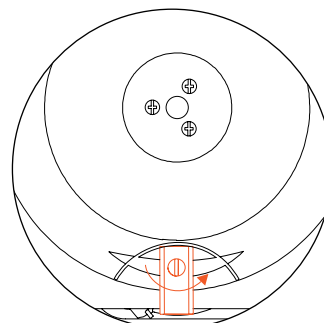
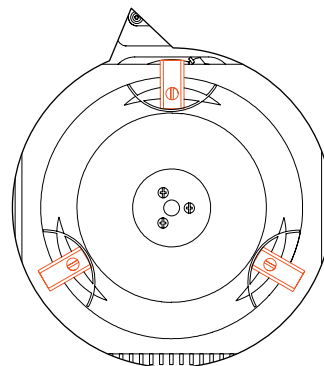
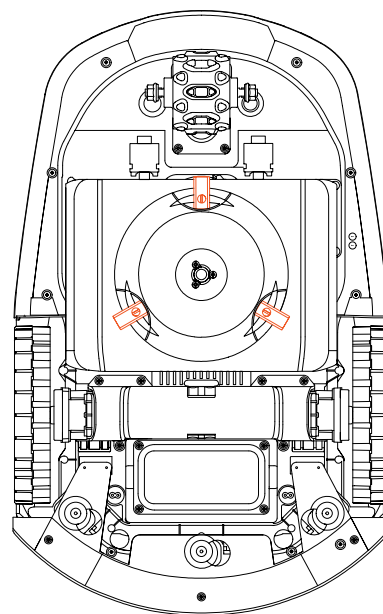
A. Spegner il tosaerba.

B. Posizionare il tosaerba capovolto su una superficie morbida e pulita per evitare graffi.

C. Allentare le viti con un cacciavite a croce.

D. Rimuovere le viti e le lame.

E. Fissare le nuove lame e le viti (coppia di serraggio: 1,0+0,2N.m). Assicurarsi che le lame possano ruotare liberamente.



NOTA

- Sostituire le viti con una coppia standard di $1,0 \pm 0,2$ Nm. Una coppia errata può causare problemi evitabili.

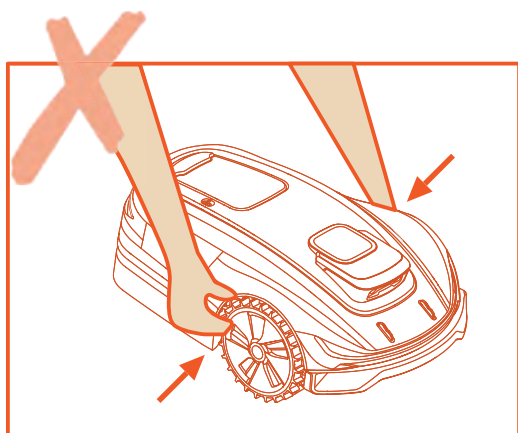
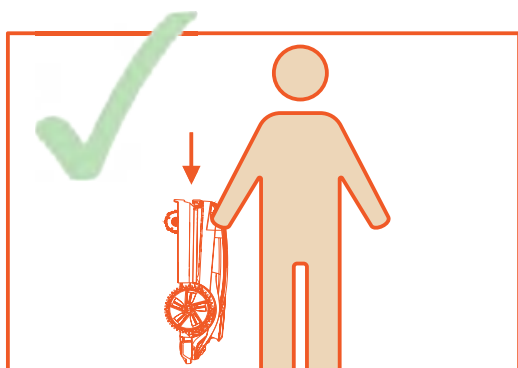
- Assicurarsi che il tosaerba sia spento e controllare che le lame siano applicate correttamente. Verificare la presenza di rumori o scuotimenti anomali.

6.3 Trasporto

Per garantire la sicurezza del tosaerba durante il trasporto su lunghe distanze, utilizzare l'imballaggio originale. Prima di sollevare, spostare o trasportare il prodotto, assicurarsi di spegnerlo. Maneggiare con cautela ed evitare di esercitare una forza violenta, come ad esempio lanci e forti pressioni. Non sollevare o trasportare mai il tosaerba con il motore in funzione.

Come spostare o sollevare correttamente

Trasportare il tosaerba per l'impugnatura. Tenere il disco della lama rivolto verso il corpo.

**6.4 Batteria**

- A.** Prima di riporre la batteria, caricarla completamente per evitare che si scarichi eccessivamente e danneggi le parti elettriche.
- B.** La garanzia limitata non protegge dai danni causati da una scarica eccessiva della batteria.
- C.** NON caricare la batteria a temperature inferiori a $5\text{ }^{\circ}\text{C}$ ($41\text{ }^{\circ}\text{F}$) o superiori a $40\text{ }^{\circ}\text{C}$ ($104\text{ }^{\circ}\text{F}$).
- D.** Se il pacco batteria viene caricato quando la temperatura

dell'aria è compresa tra $18\text{ }^{\circ}\text{C}$ e $25\text{ }^{\circ}\text{C}$, è possibile prolungarne la durata e migliorarne le prestazioni.

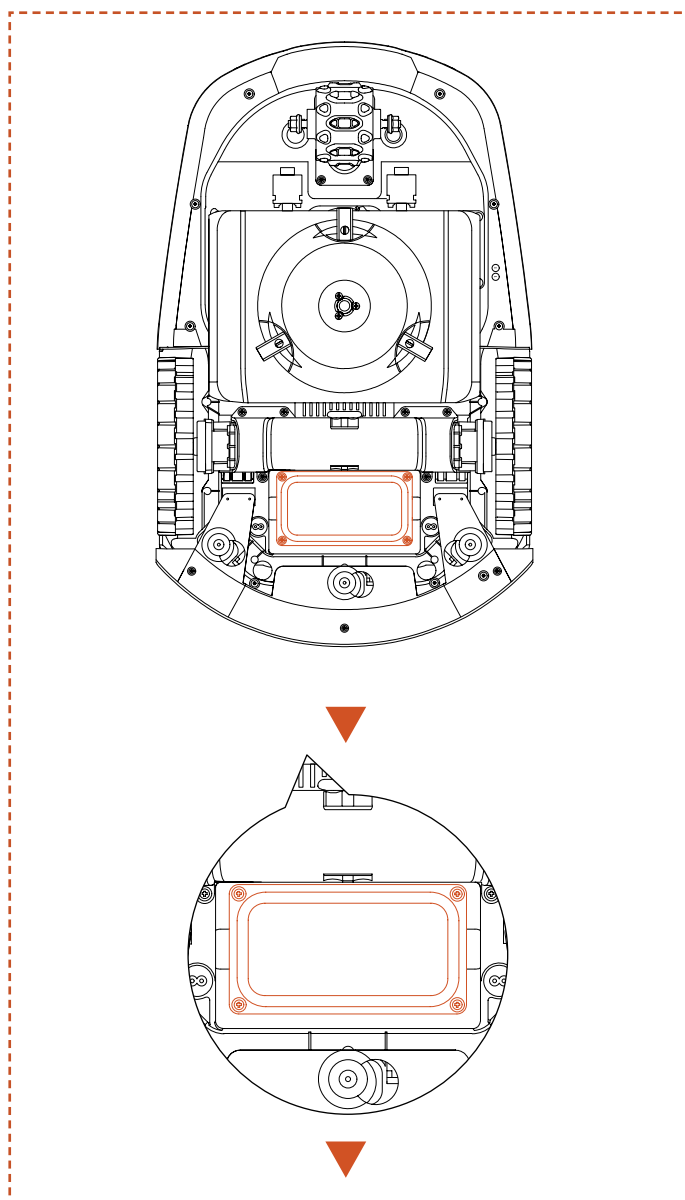
E. Il pacco batteria funziona al meglio quando viene utilizzato alla normale temperatura ambiente ($20\text{ }^{\circ}\text{C} \pm 5\text{ }^{\circ}\text{C}$).

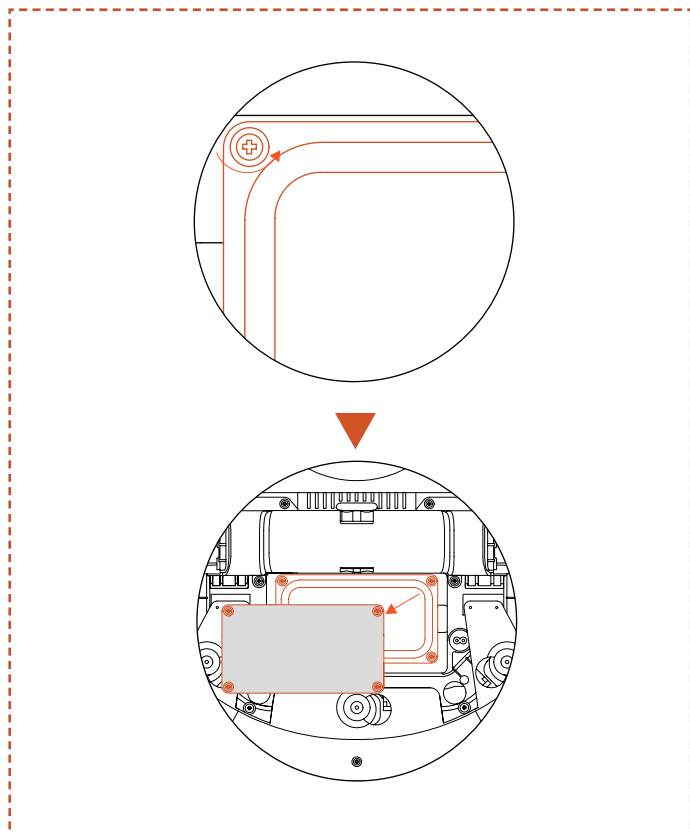
NOTA

- La durata della batteria dipende dalla frequenza di utilizzo del prodotto e dalle ore di lavoro totali. Quando il tempo di funzionamento è significativamente più breve del solito per carica completa o il prato non è ben tagliato, si consiglia di sostituire la batteria.

Come sostituire la batteria

- A.** Spegnerlo il tosaerba.
- B.** Posizionare il tosaerba capovolto su una superficie morbida e pulita.
- C.** Allentare le 4 viti che tengono in posizione il vano batteria con un cacciavite a croce.
- D.** Scollegare la spina.
- E.** Estrarre il pacco batteria e sostituirlo con quello nuovo.





! AVVERTENZA

- Utilizzate solo il pacco batteria originale o quello dello stesso modello specificato da SUNSEEKER. Ogni tosaerba contiene un pacco della batteria.
- A seconda del modello specifico di tosaerba, la capacità nominale della batteria è di 5000 mAh o 10000 mAh.
- Non utilizzare batterie non ricaricabili. Per ricaricare la batteria, utilizzare esclusivamente l'alimentatore staccabile fornito con il prodotto.
- Evitare di rompere o smontare l'involucro della batteria. Evitare il contatto con oggetti metallici per evitare cortocircuiti. Tenere lontano da fonti di calore, fuoco e luce solare diretta.
- Per ulteriori informazioni sui rifiuti di pile ed elettricità, rivolgersi al punto vendita, all'ufficio locale o regionale per la gestione dei rifiuti o al servizio di smaltimento dei rifiuti domestici.
- Non è previsto che il vano batteria venga aperto frequentemente. Se è necessaria una nuova batteria, solo allora si deve aprire il scomparto della batteria.
- Il pacco della batteria contiene elettroliti. Se la perdita di elettroliti viene a contatto con la pelle, lavarsi immediatamente con acqua e sapone. In caso di contatto con gli occhi, rivolgersi a un medico e sciacquare immediatamente gli occhi con abbondante acqua per almeno 15 minuti senza sfregare.

6.5 Alimentazione

Scollegare l'alimentazione elettrica:

- A.** Prima di eliminare un'ostruzione.
- B.** Prima di controllare, pulire o intervenire sulla macchina.
- C.** Dopo aver urtato un oggetto estraneo, per controllare che la macchina non sia danneggiata.
- D.** Esaminare regolarmente il cavo, la spina, l'involucro e le altre parti. Se si riscontrano danni o segni di invecchiamento, interrompere immediatamente l'utilizzo.

! AVVERTENZA

- Non utilizzare MAI un alimentatore danneggiato per il funzionamento. Per evitare rischi, il cavo di alimentazione danneggiato deve essere sostituito dal produttore, dal suo agente di assistenza o da altre persone adeguatamente qualificate. Se la prolunga è difettosa, sostituirla con un cavo da 10 m approvato da SUNSEEKER.
- Non toccate MAI una prolunga o un cavo danneggiato prima che sia stato scollegato dalla fonte di alimentazione o che sia stato collegato all'alimentazione. Un cavo danneggiato può causare il contatto con i componenti elettrici.
- L'alimentatore non deve essere utilizzato con altri dispositivi o batterie per non aumentare il rischio di scosse elettriche, incendi o lesioni personali. Se si utilizzano batterie diverse da quelle originali, la sicurezza del prodotto non può essere garantita.
- NON caricare quando la batteria è in perdita.
- Tenere il cavo di prolunga lontano da parti pericolose in movimento per evitare danni ai cavi che possono portare al contatto con parti sotto tensione.

Raccomandazione

Collegare il tosaerba e/o le sue periferiche solo a un circuito di alimentazione protetto da un interruttore differenziale (RCD) con una corrente di intervento non superiore a 30 mA.

6.6 Stoccaggio

- A.** Assicurarsi che il tosaerba sia completamente carico e spento prima di riporlo per evitare una scarica eccessiva che potrebbe causare danni permanenti.
- B.** Conservare in un luogo asciutto e fresco al chiuso. L'esposizione alla luce solare e a temperature estreme (calde o fredde) accelera il processo di invecchiamento dei componenti e può causare danni permanenti.
- C.** Tenere le sostanze chimiche e le fonti di calore (stufe, radiatori, ecc.) lontano dal tosaerba, dalla stazione di ricarica e dall'alimentazione.
- D.** Conservare l'alimentatore in un luogo ben ventilato e proteggerlo dall'umidità.

AVVERTENZA

- Scollegare l'alimentatore dalla presa di corrente se si prevede un temporale. Scollegare tutti i fili e i cavi collegati alla stazione di ricarica. Ricollegare quando non c'è più la possibilità di un temporale.

Requisiti extra per il rimessaggio invernale

Il tosaerba:

- A.** Pulire accuratamente il tosaerba prima di riporlo.
- B.** Controllare i componenti soggetti a usura, come le lame.
- C.** Ripararli o sostituirli se sono in cattive condizioni.
- D.** Conservare il tosaerba in un luogo asciutto e al riparo dal gelo, in piedi su tutte le ruote, preferibilmente nell'imballaggio originale.

La stazione di ricarica:

- A.** Scollegare la stazione di ricarica e scollegare l'alimentatore dalla presa di corrente.
- B.** Tenere la stazione di ricarica al riparo dalla luce diretta del sole e portarla all'interno.

6.7 Riciclaggio e smaltimento a fine vita

Questo prodotto NON è un rifiuto domestico. Per informazioni sul riciclaggio, rivolgersi al proprio comune, al punto di vendita o al servizio dei rifiuti domestici.

AVVERTENZA

- Questo prodotto non deve essere smaltito in discarica, bruciato o unito ai normali rifiuti domestici. I componenti elettrici possono causare pericoli o gravi danni.

7. FAQ e Risoluzione dei Problemi

7.1 Messaggio di errore

Codice di Errore	Significato	Possibile causa
E1	Robot fuori dalla zona di lavoro	Come risolvere il problema "Robot fuori dalla zona di lavoro"?
E2	Blocco del motore della ruota	Il motore della ruota è bloccato
E3	errore del motore della taglierina	Il motore della taglierina è bloccato
E4	Paraurti del robot bloccato	1. Troppi ostacoli 2. Confermare se il paraurti è rimasto nella posizione giusta.
E5	Robot sollevato	Confermare se la macchina è stata sollevata
E6	Inclinazione del robot	Confermare se la macchina è posizionata su un terreno irregolare.
E7	Sensore di angolo attivato frequentemente	Confermare se la macchina è posizionata su un terreno irregolare.
E8	Mancato aggancio alla stazione di ricarica durante la ricarica	Come risolvere l'errore "Mancato aggancio alla stazione di ricarica durante la ricarica"?
E9	Robot intrappolato	1. Confermare se ci sono troppi ostacoli intorno al robot. 2. Il robot è entrato in uno spazio stretto e non riesce a uscirne. 3. Il tosaerba scivola
E10	Aggiornamento non riuscito	1. Controllare se il segnale WiFi è molto debole 2. Controllare se la macchina è in carica su una stazione di ricarica.
E12	Errore di tensione della batteria	1. Posizionare la macchina sulla stazione di ricarica per verificare se può essere caricata completamente. 2. Corrente di carica eccessiva 3. Tempo di ricarica eccessivo 4. Tensione della batteria troppo alta o troppo bassa
E13	Errore di carica	Caricabatterie difettoso
E14	L'area della mappa attuale è troppo grande e supera l'area di lavoro massima supportata dal robot.	Creare una nuova mappa entro la gamma di capacità nominale del prodotto.
E15	Guasto al motore della ruota posteriore/ motore di sterzo	Il motore della ruota posteriore/motore di sterzo è bloccato
E16	Guasto del motore di elevazione	Il motore di sollevamento è bloccato
E17	Impossibile trovare la stazione di ricarica	Come risolvere l'errore "Mancato aggancio alla stazione di ricarica durante la ricarica"?
E18	Batteria scarica	L'apparecchio potrebbe non essere in grado di tornare alla stazione di ricarica per la ricarica normale a causa di un errore. Si prega di spostarla manualmente alla stazione di ricarica per la ricarica.
E19	Connessione fallita	1. Ci sono 4 codici QR in coda alla macchina e, quando si aggiunge una macchina, è necessario selezionare il primo codice QR. 2. Verificare che il Bluetooth del telefono sia acceso e che si trovi entro un raggio di 1 metro dalla macchina. 3. Avete inserito la password di avvio corretta, che per impostazione predefinita è 0000. 4. Il wifi è a 2,4 GHz? 5. La password WiFi è corretta?

Codice di Errore	Significato	Possibile causa
E21	Inizializzazione RTK fallita	1. Verificare che la stazione base sia installata correttamente e che non vi siano ostacoli. 2. Controllare se la macchina è ostruita 3. Controllare se ci sono ostacoli enormi che bloccano il segnale tra la stazione base e la macchina.
E22	Errore della telecamera anteriore	Verificare se la fotocamera è ostruita
E23	Errore mappa vuota	Creare una mappa prima di iniziare
E24	Segnale base RTK perso	1. Verificare che la stazione base sia accesa. 2. Controllare se la stazione base è installata correttamente Come installare la stazione RTK 3. Verificare che non vi siano ostacoli tra la stazione di base e la macchina. 4. Provare a ricollegare la stazione base
E25	Mappatura fallita	1. Verificare se la mappa è chiusa 2. Confermare se la macchina è in una buona connessione wifi
E26	Errore di calibrazione RTK	Come risolvere l'errore "Calibrazione RTK fallita"?
EE	È necessario il supporto del rivenditore	1. Scarso contatto della scheda della batteria 2. Difetto della scheda di visualizzazione 3. Difetto della scheda di bordo 4. Anomalia della scheda multifunzione 5. Difetto dell'hardware 6. Altri errori
BP	Errore di temperatura della batteria	1. Confermare se la temperatura ambiente è troppo alta 2. Confermare se la temperatura ambiente è troppo bassa BLOCCO
BLOCCATO	Bloccato. Riprovare dopo 10 minuti.	1. Inserire la password corretta 2. Se si dimentica la password, è possibile reimpostarla su 0000 ripristinando le impostazioni di fabbrica tramite l'app. 3. Se l'app mobile non è collegata alla macchina, contattare il servizio di assistenza.
STOP	Arresto manuale	Viene premuto il pulsante STOP

Istruzioni su come procedere in caso di vibrazioni anomale:

- A.** Spegner la macchina.
- B.** Ruotare la macchina di 180 gradi.
- C.** Controllare che le lame non siano danneggiate o malfunzionanti.
- D.** Si consiglia di sostituire tutte e tre le lame.
- E.** Riavvolgere la macchina per iniziare a lavorare.

7.2 Risoluzione dei Problemi

Se si riscontrano problemi relativi al prodotto o all'applicazione, problemi e domande comuni, consultare gli articoli delle FAQ sul sito ufficiale di Sunseeker (<https://support.sunseeker-elite.com>) o nella sezione "Aiuto e feedback" dell'applicazione.

8. Informazioni Importanti

8.1 Privacy dei Dati

Trattamento dei dati personali nell'ambito della Piattaforma X

- Chi e perché?

Quando vi registrate e utilizzate la Piattaforma X di Sunseeker, Sunseeker (o "noi"), in qualità di responsabile del trattamento, tratterà i vostri dati personali. Tratteremo i vostri dati personali al fine di:

1. fornirvi la connessione alla Piattaforma X o farvi un'offerta per tale servizio. La base giuridica è l'elaborazione necessaria per l'esecuzione del contratto che avete stipulato con noi, o per prendere provvedimenti prima di stipulare un contratto con noi.
2. Sviluppare e migliorare ulteriormente i nostri prodotti e servizi. La base giuridica è il nostro legittimo che interesse a sviluppare e migliorare i nostri prodotti e servizi.
3. Consentire la connettività della Piattaforma X (Internet of Things): utilizzare le integrazioni dei partner (ad esempio gli assistenti intelligenti, compresi i dispositivi abilitati alla voce); utilizzare le piattaforme di connettività per collegare la Piattaforma X a dispositivi, app e servizi di terze parti e creare la propria integrazione per la casa intelligente. La base giuridica è il trattamento necessario per l'esecuzione del contratto che avete stipulato con noi.
4. Fornire all'utente le informazioni pertinenti relative alla sua esperienza con la Piattaforma X. La base giuridica è il nostro legittimo che interesse a tenervi informati sui vostri prodotti e servizi specifici e sulle loro caratteristiche.
5. fornirvi assistenza e risoluzione dei problemi relativi alla Piattaforma X. La base giuridica è che il trattamento è necessario per l'esecuzione del contratto che avete stipulato con noi.

Se ci avete dato il vostro consenso (nel qual caso la base giuridica è il vostro consenso), possiamo anche trattare i vostri dati personali per le seguenti finalità:

1. Inviarvi pubblicità e newsletter personalizzate sui nostri prodotti e servizi.
2. Inviarvi sondaggi sui clienti e analizzare i dati da voi forniti, come meglio specificato in tali comunicazioni.

I vostri dati saranno trattati per tutto il tempo necessario a Sunseeker per adempiere alle finalità di cui sopra, ma in nessun caso per un periodo superiore a quello consentito dalle leggi applicabili.

- Quali dati personali trattiamo?

Possiamo trattare i seguenti dati personali:

1. Dati personali: nome e cognome, nazionalità, preferenze linguistiche;
2. Dati di contatto: indirizzo e-mail, indirizzo postale;
3. Informazioni sull'account: età dell'account, password, numero di account;
4. Altri dati relativi alla vostra Piattaforma X: nome del tosaerba, nomi degli accoppiamenti, azioni attivate tramite l'uso di integrazioni di partner e informazioni sul dispositivo.

- Utilizzo dei dati di localizzazione

Alcuni dei nostri servizi funzionano solo se possiamo determinare la posizione del vostro tosaerba (ad esempio, la visualizzazione del meteo). Quando condividete con noi la posizione del vostro tosaerba, i dati vengono memorizzati come parte del vostro profilo e possono essere inviati a terzi in forma pseudonimizzata allo scopo di fornire il servizio in questione (ad esempio, per parcheggiare il tosaerba in caso di forte pioggia).

8.2 Garanzia Limitata

Garanzia limitata

Offriamo una garanzia di 2 anni. Prima di avviare una richiesta di garanzia, vi chiediamo di consultare la sezione FAQ e Risoluzione dei problemi del manuale d'uso. Il nostro servizio di assistenza clienti è a disposizione per aiutarvi. Per avviare una richiesta di garanzia, è necessario fornire una prova d'acquisto, compresa una ricevuta valida che riporti la data e il luogo di acquisto.

La nostra garanzia non copre:

Le parti soggette a normale usura, come i picchetti, i dischi di taglio e la batteria.

8.3 Esclusioni di Responsabilità

Forniamo ai clienti servizi post-vendita, ad esclusione delle seguenti circostanze:

1. Danni causati da fattori estranei alla produzione, compresi, ma non solo, gli errori dell'utente.
2. Danni causati da modifiche non autorizzate, smontaggio o apertura del guscio non conforme alle istruzioni o ai manuali ufficiali.
3. Danni causati da un'installazione impropria, da un uso non corretto o da un funzionamento non conforme alle istruzioni o ai manuali ufficiali.
4. Danni causati da un fornitore di servizi non autorizzato.
5. Danni causati da modifiche non autorizzate dei circuiti e/o da un uso improprio della batteria e del caricabatterie.
6. Danni causati da utenti che non seguono le istruzioni e le raccomandazioni del manuale.
7. Danni causati dal funzionamento in cattive condizioni del prato (ad esempio, ampie zone di pozzanghere quando le aree riservate non sono state impostate correttamente, luoghi con abbondanza di pietre che coprono la superficie del prato, ecc.)
8. Danni causati dal funzionamento del prodotto in ambienti con interferenze elettromagnetiche, tra cui aree minerarie o vicinanza a torri di trasmissione radio, cavi ad alta tensione, sottostazioni, ecc.
9. Danni causati dal funzionamento del prodotto in ambienti soggetti a interferenze da parte di altri dispositivi wireless, come trasmettitori, video-downlink, segnali del Wi-Fi, ecc.
10. Danni causati da problemi di affidabilità o compatibilità quando si utilizzano parti di terze parti non autorizzate.
11. Danni causati dal funzionamento dell'unità con una batteria poco carica o difettosa.

12. Danni causati da fattori imprevedibili come collisioni di auto, attacchi di animali selvatici, inondazioni, ecc.

Questo contenuto è soggetto a modifiche senza preavviso.

Dichiarazione del FCC

Questo dispositivo è conforme alla parte 15 delle norme FCC. Il funzionamento è soggetto alle due condizioni seguenti: (1) il dispositivo non può causare interferenze dannose e (2) deve accettare qualsiasi interferenza ricevuta, comprese quelle che possono causare un funzionamento indesiderato. Eventuali modifiche o cambiamenti non espressamente approvati dalla parte responsabile della conformità potrebbero invalidare l'autorizzazione dell'utente a utilizzare l'apparecchiatura.

NOTA

Questa apparecchiatura è stata testata ed è risultata conforme ai limiti previsti per i dispositivi digitali di Classe B, ai sensi della parte 15 delle norme FCC. Questi limiti sono concepiti per fornire una protezione ragionevole contro le interferenze dannose in un'installazione residenziale. Questa apparecchiatura genera e può irradiare energia a radiofrequenza e, se non viene installata e utilizzata secondo le istruzioni, può causare interferenze dannose alle comunicazioni radio. Tuttavia, non è possibile garantire che non si verifichino interferenze in una particolare installazione. Se questa apparecchiatura causa interferenze dannose alla ricezione radiotelevisiva, che possono essere determinate spegnendo e riaccendendo l'apparecchiatura, l'utente è invitato a cercare di correggere l'interferenza con una o più delle seguenti misure:

- Reorient or relocate the receiving antenna.
- Aumentare la distanza tra l'apparecchiatura e il ricevitore.
- Collegare l'apparecchio a una presa di corrente su un circuito diverso da quello a cui è collegato il ricevitore.
- Consultare il rivenditore o un tecnico radiotelevisivo esperto.
- Per soddisfare i requisiti di esposizione alle radiofrequenze della FCC, è necessario mantenere una distanza di almeno 20 cm tra l'antenna di questo dispositivo e le persone durante il suo funzionamento. Per garantire la conformità, si consiglia di operare a una distanza inferiore a quella indicata.

AVVERTENZA per le batterie a bottone o a moneta:

- a) Rimuovere e riciclare immediatamente o smaltire le batterie usate secondo le normative locali e tenerle lontane dai bambini.
- b) NON smaltire le batterie nei rifiuti domestici o incenerirle.
- c) Anche le batterie usate possono causare gravi lesioni o morte.
- d) Chiamare un centro antiveleni locale per informazioni sul trattamento.
- e) Tipo di batteria: CR2032.
- f) Tensione nominale: 3,0 Vcc.
- g) Le batterie non ricaricabili non devono essere ricaricate.
- h) Non forzare lo scarico, la ricarica, lo smontaggio, il riscaldamento al di sopra della temperatura nominale specificata dal produttore o l'incenerimento. Ciò potrebbe causare lesioni dovute a sfiati, perdite o esplosioni con conseguenti ustioni chimiche.
- i) Il prodotto contiene una pila a bottone non sostituibile.

Dichiarazione di conformità al CE

Noi.

ZhejiangNoi. Sunseeker Industrial Co., Ltd.

988 Via Jinde, Jiangdong Parco Industriale, Jinhua, Zhejiang 321000 P.R. CINA

Dichiara e si assume la responsabilità che il prodotto:

Nome del marchio: SUNSEEKER

Nome del prodotto: Rasaerba Robotico

Modello: RMX1600L20V,RMX2000L20V,RMX2500L20V,RMX1602N20V,RMX2002N20V,RMX2502N20V

L'oggetto della dichiarazione sopra descritta è conforme alle seguenti direttive UE:

1. Direttiva sulle apparecchiature di radio (2014/53/UE)
2. Direttiva sulle Macchine (2006/42/CE)
3. Direttiva RoHS (2011/65/UE) e direttiva di modifica ((UE)2015/863)
4. Direttiva sul rumore (allegato III della direttiva 2000/14/CE modificata dalla direttiva 2005/88/CE)
 - Livello di pressione sonora LpA: 52 dB (A), Incertezza di pressione della sonora KpA: 3dB (A)
 - Livello di potenza sonora garantito dichiarato: 60 dB (A), Incertezze sulla potenza sonora KWA: 3dB (A)

La conformità a queste direttive è stata valutata per questo prodotto dimostrando la conformità ai seguenti standard armonizzati e/o alle specifiche tecniche:

EN 50636-2-107: 2015+A1:2018+A2: 2020+A3: 2021

EN 60335-1:2012+A11:2014+A13:2017+ A1:2019 + A2:2019+ A14:2019+A15:2021

EN IEC 55014-1:2021

EN IEC 55014-2:2021

EN IEC 61000-3-2:2019+A1:2021

EN 61000-3-3:2013+A1:2019+A2:2021

EN 301 489-1 V2.2.3

EN 301 489-3 V2.3.2

EN 301 489-17 V3.2.4

EN 301 489-19 V2.2.1

EN 301 489-52 V1.2.1

EN 301 511 V12.5.1

EN 301 908-1 V15.2.1

EN 301 908-13 V13.2.1

EN 303 413 V1.2.1

EN 300 220-2 V3.1.1

EN 300 328 V2.2.2

EN 62311:2008

EN IEC 62311:2020

EN 62321-1:2013

EN IEC 62321-2:2021

EN 62321-3-1:2014

EN 62321-8:2017

EN 62321-4:2014 /A1:2017

EN 62321-5:2014

EN 62321-7-1:2015

EN 62321-7-2:2017

EN 62321-6:2015

EN 62321-8:2017

EN ISO 11094:1991

EN ISO 3744:1995

EN ISO 3744:2010

Informazioni sull'esposizione alle radiofrequenze

Questo dispositivo è stato testato e soddisfa i limiti applicabili per l'esposizione alle radiofrequenze (RF).

Questa apparecchiatura deve essere installata e utilizzata in conformità alle istruzioni fornite e le antenne utilizzate per questo trasmettitore devono essere installate in modo da garantire una distanza di almeno 20 cm da tutte le persone e non devono essere collocate o funzionare insieme ad altre antenne o trasmettitori.

Firmato in nome e per conto di: ZhejiangNoi. Sunseeker Industrial Co., Ltd.

Luogo: Jinhua, Zhejiang CHINA

Date: 09-07-2024

Nome: Harry Ran

Titolo: Ingegnere Responsabile

Firma: 

Tabel van Inhoud

1. Inhoudsopgave	100
1.1 Algemeen	100
1.2 Algemene veiligheidsinstructies	100
1.3 Veiligheidsinstructies voor installatie	101
1.4 Veiligheidsinstructies voor dagelijks Operatie	102
1.5 Veiligheidsinstructies voor onderhoud	102
1.6 Batterijveiligheid.....	102
2. Symbolen en Decals	102
3. Inhoud en specificatie	103
3.1 Doos Inhoud	103
3.2 Onderdelen en functies	104
4. Installatie	106
4.1 Voorbereidingen	107
4.2 Installeer het laadstation.....	107
4.3 installeer het RTK-basisstation.....	107
4.4 De maaier opladen en activeren	108
4.5 App-verbinding	109
5. Dagelijkse operatie	110
5.1 Weergave en bediening op de maaier	110
5.2 Wijzig de pincode	110
5.3 IoT	111
5.4 Obstakel vermijden	111
6. Onderhoud	112
6.1 Schoonmaken	112
6.2 Bladen vervangen.....	113
6.3 Vervoer	114
6.4 Batterij	114
6.5 Stroomvoorziening.....	115
6.6 Opslag	115
6.7 Recycling en verwijdering aan het einde van de levensduur	116
7. FAQ en probleemoplossing	117
7.1 Foutmelding.....	117
7.2 Problemen oplossen	118
8. Belangrijke informatie	119
8.1 Privacy van gegevens	119
8.2 Beperkte garantie	119
8.3 Disclaimers	119

1. Inhoudsopgave

1.1 Algemeen

BELANGRIJK VOOR GEBRUIK ZORGVULDIG LEZEN BEWAAR VOOR TOEKOMSTIGE REFERENTIE

Beoogd gebruik

Dit tuinproduct is alleen voor gazonmaaien, automatisch maaien van tuingras op elk moment van de dag. Elk gebruik dat verder gaat dan het beoogde doel kan risico's met zich meebrengen en mogelijk letsel toebrengen aan personen en/of schade toebrengen aan eigendommen. Het is absoluut noodzakelijk om de gespecificeerde richtlijnen strikt na te leven om de veiligheid te waarborgen en ongevallen te voorkomen.

Niet Beoogd Gebruik

Dit tuinproduct is niet bedoeld voor gebruik door kinderen of personen met verminderde fysieke, zintuiglijke of mentale vermogens, of gebrek aan ervaring en kennis, tenzij zij toezicht of instructie hebben gekregen met betrekking tot het gebruik van het product door een persoon die verantwoordelijk is voor hun veiligheid.

Oneigenlijk gebruik omvat, maar is niet beperkt tot, het vervoeren van mensen, kinderen of dieren op de machine; door de machine worden vervoerd; de machine gebruiken om ladingen te trekken of te duwen; en de machine gebruiken voor het snijden van niet-grasvegetatie.

Restrisico's-draag beschermende handschoenen en oogbril bij het uitvoeren van onderhoud of het vervangen van de messen in geval van letsel.

Verleng de kabel niet tussen de voeding en het laadstation.



WAARSCHUWING

- Raak geen gevaarlijke bewegende onderdelen aan voordat ze volledig tot stilstand zijn gekomen.
- Houd de voedingskabel, voedingseenheid, verlengsnoer en alle andere elektrische kabels die niet bij het product horen buiten het snijgebied om afstand te houden van gevaarlijke bewegende delen en om schade aan kabels te voorkomen die in contact kunnen komen met delen onder spanning. Er bestaat gevaar voor letsel of overlijden voor de bediener of omstanders als de instructies in de handleiding niet worden gehoorzaamd.
- Automatische grasmaaier! Blijf uit de buurt Kinderen moeten onder toezicht staan!
- Bewaar alle waarschuwingen en instructies voor toekomstige referentie.
- Lees alle veiligheids waarschuwingen, instructies, illustraties en specificaties die bij dit product worden geleverd. Het niet opvolgen van alle onderstaande instructies kan leiden tot elektrische schokken, brand en/of ernstig letsel.

1.2 Algemene veiligheidsinstructies

Veiligheid van het werkgebied

A. Bedien geen machines in explosieve atmosferen, zoals in de aanwezigheid van brandbare vloeistoffen, gassen of stof. Machines creëren vonken die het stof of de dampen kunnen ontsteken.

B. Lees de instructies aandachtig. Wees vertrouwd met de bedieningselementen en het juiste gebruik van de machine.

C. Laat nooit mensen die deze instructies niet kennen of kinderen de machine gebruiken. Lokale regelgeving kan de leeftijd van de exploitant beperken.

D. De bediener of gebruiker is verantwoordelijk voor ongevallen of gevaren die andere mensen of hun eigendommen kunnen overkomen.

Elektrische veiligheid

A. Stekkers moeten in het stopcontact passen. Wijzig de stekker nooit op welke manier dan ook. Gebruik geen laderstekkers met gearde (geaarde) apparaten. Ongewijzigde stekkers en bijpassende stopcontacten verminderen het risico op elektrische schokken.

B. Vermijd lichaamscontact met gearde of geaarde oppervlakken, zoals buizen, radiatoren, fornuizen en koelkasten. Er is een verhoogd risico op een elektrische schok als je lichaam geaard of geaard is.

C. Maak geen misbruik van netsnoeren. Gebruik nooit het netsnoer voor het dragen, trekken of loskoppelen van een apparaat. Houd netsnoeren uit de buurt van warmte, olie, scherpe randen of bewegende delen. Beschadigde of verstrengelde netsnoeren verhogen het risico op elektrische schokken.

D. Als het onvermijdelijk is om een apparaat op netvoeding te gebruiken in een vochtige omgeving, gebruik dan een voeding met aardlekbeveiliging (RCD). Het gebruik van een RCD vermindert het risico op elektrische schokken.

E. Zorg voor de juiste installatie van het automatische perimeterafbakeningssysteem volgens de instructies.

F. Inspecteer regelmatig het gebied waar de machine gebruikt gaat worden en verwijder alle stenen, stokken, draden, botten en andere obstakels.

G. Controleer de messen, mesbouten en maai-eenheid regelmatig op slijtage of beschadiging. Vervang versleten of beschadigde messen en bouten in sets om de balans te behouden.

H. Wees voorzichtig op machines met meerdere assen, omdat het draaien van een blad andere bladen kan doen draaien.

Persoonlijke veiligheid

A. Laat de machine niet bedienen door personen die niet bekend zijn met de machine of deze instructies. Machines zijn gevaarlijk in de handen van ongetrainde gebruikers.

B. Blijf alert, let op wat u doet en gebruik uw gezond verstand bij het bedienen van de machine. Gebruik het apparaat niet als u moe bent of onder invloed van drugs, alcohol of medicijnen. Een moment van onoplettendheid tijdens het bedienen van de machine kan resulteren in 1094 ernstig persoonlijk letsel.

C. Verwijder elke stelsleutel of moersleutel voordat u de machine bedient. Een sleutel die aan een draaiend onderdeel van de machine is bevestigd, kan persoonlijk letsel veroorzaken.

D. Wanneer u de machine handmatig bedient, moet u altijd goed blijven staan en uw evenwicht bewaren. Hierdoor kan de machine beter worden bestuurd in onverwachte situaties.

E. Zorg dat u niet zelfgenoegzaam wordt en de veiligheidsprincipes van machines negeert door vertrouwd te raken met het veelvuldig gebruik van machines. Een onzorgvuldige handeling kan binnen een fractie van een seconde 1101 ernstig letsel veroorzaken.

Machinegebruik en onderhoud

A. Haal de stekker uit het stopcontact en/of verwijder de accu (indien afneembaar) uit het apparaat of andere apparaten voordat u het apparaat aanpast, accessoires verwisselt of opbergt. Dergelijke preventieve veiligheidsmaatregelen verminderen het risico op onbedoeld starten.

B. Machines en accessoires onderhouden Controleer op verkeerde uitlijning of vastlopen van bewegende onderdelen, breek van onderdelen en andere omstandigheden die de werking van de machine kunnen beïnvloeden Indien beschadigd, laat de machine dan repareren vóór gebruik. Veel ongevallen worden veroorzaakt door slecht onderhouden machines en toebehoren.

C. Gebruik de machine en accessoires in overeenstemming met deze instructies, rekening houdend met de werkomstandigheden en het uit te voeren werk. Gebruik van de machine voor andere werkzaamheden dan waarvoor deze bedoeld is, kan tot een gevaarlijke situatie leiden.

D. Bedien de machine nooit met defecte afschermingen of zonder veiligheidsvoorzieningen

E. Plaats uw handen of voeten niet in de buurt van of onder roterende onderdelen. Blijf te allen tijde uit de buurt van de uitwerpopening.

F. Til of draag nooit een machine terwijl de motor draait

G. Activeer de apparaatvergrendeling/zet "LOCK" op de machine

- voordat u een verstopping opheft;
- voordat u de machine controleert, schoonmaakt of eraan werkt.

H. Laat het apparaat niet zonder toezicht werken als u weet dat er huisdieren, kinderen of mensen in de buurt zijn.

Dienst

A. Laat uw machine onderhouden door een gekwalificeerde reparateur die uitsluitend identieke vervangingsonderdelen gebruikt. Dit zorgt ervoor dat de veiligheid van de machine wordt gehandhaafd.

B. Houd alle moeren, bouten en schroeven vast om ervoor te zorgen dat de machine in veilige staat verkeert.

C. Controleer de grasvanger regelmatig op slijtage of beschadiging

D. Vervang versleten of beschadigde onderdelen voor de veiligheid.

E. Zorg ervoor dat de juiste messen worden vervangen

F. Zorg ervoor dat accu's worden opgeladen met de juiste, door de fabrikant aanbevolen oplader. Onjuist gebruik kan leiden tot een elektrische schok, oververhitting of lekkage van corrosieve vloeistof uit de batterij.

G. In geval van lekkage van elektrolyt, spoel met water/neutraliserend middel, zoek medische hulp als het in contact komt met de ogen, enz.

H. Het onderhoud van de machine moet gebeuren volgens de instructies van de fabrikant

Gebruik en onderhoud van het BATTERIJgereedschap

A. Laad alleen op met de door de fabrikant gespecificeerde oplader. Een lader die geschikt is voor één type BATTERIJ kan een brandgevaar veroorzaken bij gebruik met een andere BATTERIJ.

B. Gebruik alleen elektrisch gereedschap met speciaal daarvoor bestemde BATTERIJPAKKEN. Het gebruik van andere BATTERIJPAKKEN kan leiden tot letsel en brand.

C. Als de BATTERIJ niet in gebruik is, houd deze dan uit de buurt van andere metalen voorwerpen, zoals paperclips, munten, sleutels, spijkers, schroeven of andere kleine metalen voorwerpen die een verbinding kunnen maken van de ene aansluiting naar de andere. Het kortsluiten van de BATTERIJ-polen kan brandwonden of brand veroorzaken.

D. Onder extreme omstandigheden kan er vloeistof uit de BATTERIJ komen; vermijd contact. Als er per ongeluk contact optreedt, spoel dan met water. Als de vloeistof in contact komt met de ogen, zoek dan onmiddellijk medische hulp. Vloeistof die uit de BATTERIJ komt kan irritatie of brandwonden veroorzaken.

E. Gebruik geen BATTERIJPAK of gereedschap dat beschadigd of aangepast is. Beschadigde of gewijzigde batterijen kunnen onvoorspelbaar gedrag vertonen met brand, EXPLOSIE of kans op letsel tot gevolg.

F. Gebruik geen BATTERIJPAK of gereedschap dat beschadigd of aangepast is. Blootstelling aan vuur of temperatuur boven 130 °C kan explosie veroorzaken

G. Volg alle oplaadinstructies en laad de BATTERIJ of het gereedschap niet op buiten het temperatuurbereik dat in de instructies staat. Onjuist opladen of opladen bij temperaturen buiten het gespecificeerde bereik kunnen de BATTERIJ beschadigen en het risico op brand vergroten.

1.3 Veiligheidsinstructies voor installatie

A. Installeer het laadstation, inclusief accessoires, niet op een locatie onder of binnen 24 inch van brandbaar materiaal. In geval van een storing kunnen het laadstation en de voeding opwarmen, waardoor brandgevaar ontstaat.

B. Plaats de voeding niet op een hoogte waar het risico bestaat dat deze in het water terechtkomt. Plaats de voeding niet op de grond

C. kapselt de voeding niet in Gecondenseerd water kan de stroomvoorziening beschadigen en het risico op een elektrische schok vergroten.

D. van toepassing op de VS / Canada. Als de voeding buiten wordt geïnstalleerd: Risico op elektrische schokken. Alleen installeren op een afgedekte klasse A aardlekschakelaar (RCD) met een weerbestendige behuizing en toegang om de afdekking van de bevestigingsstekker in te brengen of te verwijderen.

E. Installeer het laadstation niet op een plek waar gevaar bestaat voor stilstaand water.

1.4 Veiligheidsinstructies voor dagelijks Operatie

A. Houd uw handen en voeten uit de buurt van de roterende messen. Plaats uw handen of voeten niet in de buurt of onder het product wanneer het is ingesteld op aan.

B. Gebruik de parkeermodus of zet het product op UIT als er zich personen, vooral kinderen of dieren, in het werkgebied bevinden.

C. Zorg ervoor dat er geen voorwerpen zoals stenen, takken, gereedschap of speelgoed op het gazon liggen. De messen kunnen beschadigd raken als ze een voorwerp raken.

D. Til het product niet op en verplaats het niet als het op AAN staat

E. Laat het product niet in botsing komen met personen of dieren. Als een persoon of dier het product in de weg staat, stop dan onmiddellijk met het product.

F. Plaats geen voorwerpen op het product of het laadstation

G. Gebruik het product niet als de STOP-knop niet werkt.

H. Zet het product altijd op OFF als het niet in gebruik is.

I. Gebruik het product en een sproeier niet tegelijk Gebruik tegelijkertijd de planningsfunctie.

J. Laat het product niet werken als er water in het werkgebied staat, zoals een gebied met plassen water gevormd door hevige regenval.

1.5 Veiligheidsinstructies voor onderhoud

A. Zet het product op UIT wanneer u onderhoud aan het product uitvoert.

B. Gebruik geen hogedrukreiniger om het product te reinigen. Gebruik geen oplosmiddelen om het product te reinigen.

C. Haal de stekker uit het laadstation voordat u het laadstation schoonmaakt of onderhoud uitvoert.

1.6 Batterijveiligheid

Lithium-ionbatterijen kunnen ontploffen of brand veroorzaken als ze worden gedemonteerd, kortgesloten of blootgesteld aan water, vuur of hoge temperaturen. Ga er voorzichtig mee om en demonteer of open de batterij niet en gebruik geen enkele vorm van elektrisch/mechanisch misbruik. Vermijd opslag in direct zonlicht.

2. Symbolen en Decals





Deze symbolen zijn te vinden op het product. Lees ze zorgvuldig door.

	WAARSCHUWING: Lees de gebruiksaanwijzing voordat u het product gebruikt.
	WAARSCHUWING: Schakel het product uit voordat u aan de machine werkt of de machine opheft. Raak het roterende mes nooit aan.
	WAARSCHUWING: Houd een veilige afstand van de machine wanneer het werken. Houd andere personen uit de gevarezone.
	WAARSCHUWING: Rijd niet op de machine.
	Gebruik een afneembare voeding zoals gedefinieerd op het classificatielabel naast het symbool.
	CE-conformiteitsmarkering
	Geluidsvermogensniveau, bepaald door de Europese richtlijn inzake buitengeluid. De emissies van het product staan vermeld in Technische gegevens op pagina 6 en verder het typeplaatje
	Gooi dit product niet weg als normaal huishoudelijk afval. Zorg ervoor dat het product wordt gerecycled in overeenstemming met de lokale wettelijke vereisten.
	Klasse III
	DC









Symbolen op accu

	Lees de gebruiksaanwijzing.
	Gooi de batterij niet in vuur en stel de batterij niet bloot aan een hittebron.
	Dompel de batterij niet onder in water.
	Recyclebaar merk.
	Het is niet toegestaan dit accupakket bij het normale huisvuil weg te gooien. Zorg ervoor dat de batterij wordt gerecycled in overeenstemming met de lokale wettelijke vereisten.

Symbolen op lader

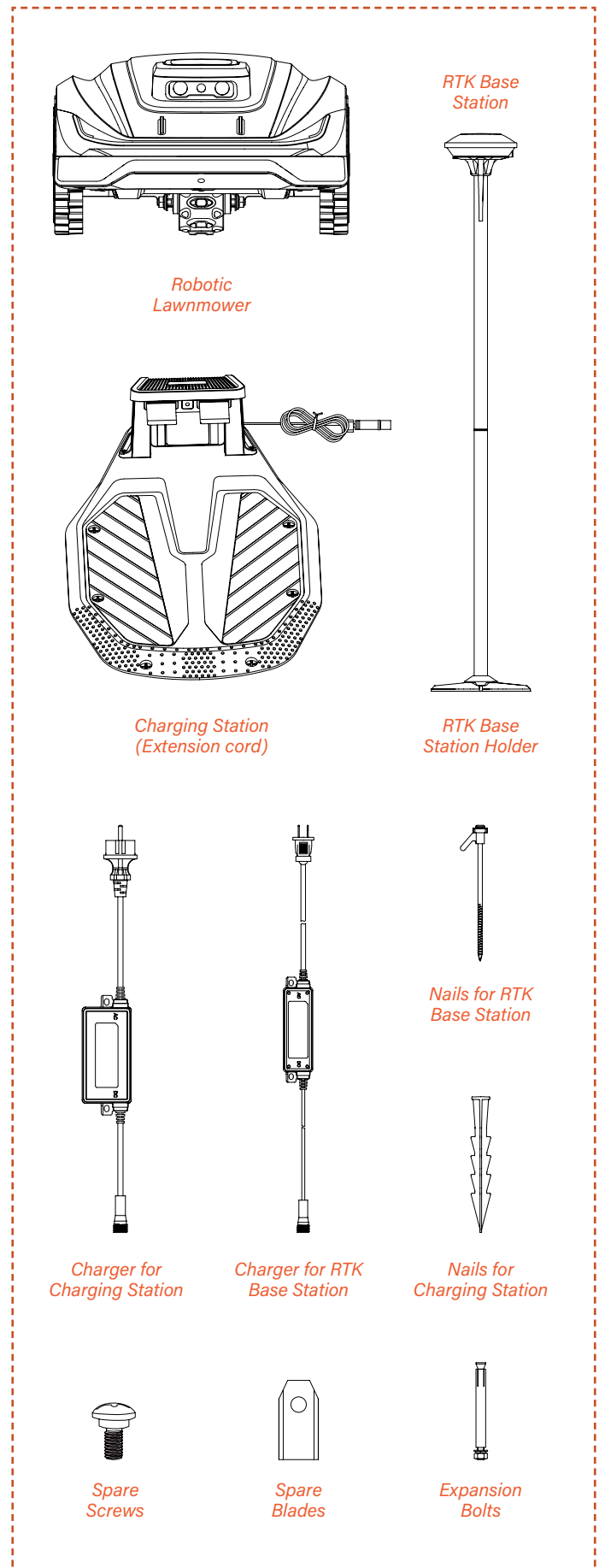
	<i>Lees de gebruiksaanwijzing.</i>
T3.15A 	<i>Vervangen door zekering in overeenstemming met de classificatie.</i>
T2A 	<i>Vervangen door zekering in overeenstemming met de classificatie.</i>
	<i>Klasse II-constructie.</i>
	<i>Mag niet als ongesorteerd afval worden weggegooid, maar moet naar gescheiden inzamelpunten worden gestuurd voor terugwinning en recycling in overeenstemming met lokale wettelijke vereisten.</i>

Symbolen op het robotscherm

	<i>In-/uitschakelen</i>
	<i>Startknop</i>
	<i>Home-knop</i>
	<i>Ok knop</i>
	<i>Instelling PIN-code</i>
	<i>Tijdstelling</i>
	<i>Bluetoothverbinding</i>
	<i>Wi-Fi</i>

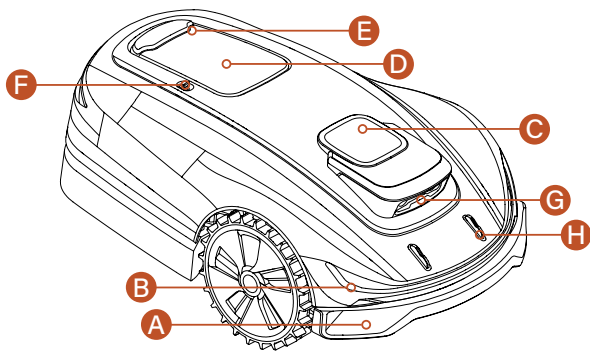
3. Inhoud en specificatie

3.1 Doos Inhoud

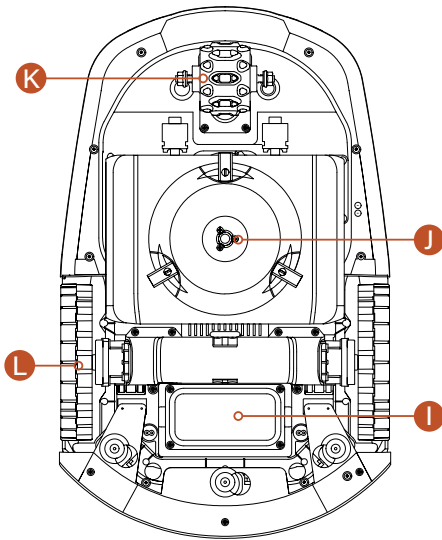


3.2 Onderdelen en functies

Bovenaanzicht



Onderaanzicht



G - Verrekijkercamera - De AI-ondersteunde binoculaire camera helpt de maaier obstakels te detecteren en te vermijden.

H - Laadelektroden - De laadelektroden op de machine worden aangesloten op die op de elektroden van het laadstation om de accu van de machine op te laden.

I - Batterijcompartiment - Het compartiment voor het opbergen van de batterij.

J - Roterende snijplaat - Apparaat voor het trimmen van het gazon wanneer de machine in werking is.

K - Wielnaafmotor - Een uitstekend stuurbedieningsapparaat en voeding voor operatie.

L - Aandrijfwielen - Vermogen voor beweging met uitstekende offroad-capaciteiten.

OPMERKING

Dompel de machine niet onder in water, aangezien dit de onderdelen kan beschadigen en de garantie binnen de aangegeven periode ongeldig kan maken.

A - Botsingsbumper - Wanneer visuele positionering niet beschikbaar is, kan de botsbumper de normale werking van de machine garanderen.

B - LED-lampjes - LED-lampjes op de maaier geven de bedrijfsstatus van de machine aan.

C - RTK-positioneringsantenne - Interactief positioneringsapparaat voor het RTK-basisstation, de machine en satellieten.

D - Bedieningspaneel - Het paneel waarmee u de machine kunt in- en uitschakelen; de machine opdracht geven om te werken of terug te keren; en enz.

E - STOP-knop - Noodstopknop om de machine te stoppen in geval van een dringende situatie.

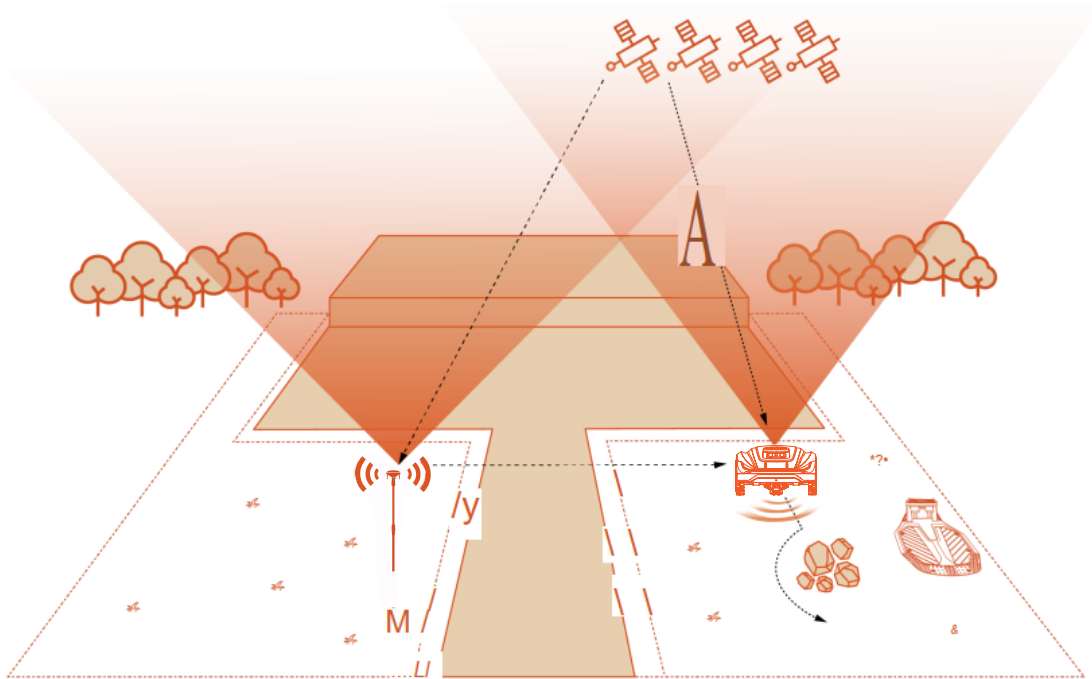
F - Regensensor - De regensensor kan regen detecteren en de machine kan automatisch terugkeren naar het laadstation om regen te voorkomen, afhankelijk van de instellingen van de gebruiker.

3.3 Specificaties

TECHNISCHE SPECIFICATIE	X5-2000 RMX2000L20V
Grensdraad	Draadloos / randloos
Max maaien gebied	2000m ²
Snijhoogte min / max	20-60mm
Hoogteverstelling	Manual
Snijbreedte	22cm
Batterijcapaciteit	5 Ah
Gebruikersinterface	APP & toetsenborddisplay
Max helling	30° (60%)
Robot afmetingen	680*420*275 cm
Certificaats	CE RoHS
Netto gewicht	11.8 kg
Geluidsvermogeniveau LWA	60dB (A)
Geluidskracht Onzekerheden KWA	3dB(A)
Geluidsdruk niveau LpA	52dB (A)
Geluidskracht Onzekerheden KWA	3dB(A)
KENMERKEN	
Wifi / Bluetooth	▪
Intelligente mapping	▪
Padplanning	3 options
VSLAM	▪
Super Wifi	▪
FOTA	▪
Snelle terugkeer naar laadstation	▪
AWD-wielen (alle wielen aangedreven).	3 wielen
Tuinkaat op APP	▪
Multi-zones	Tot 8
Werkschema (ingesteld in APP)	Automatische of handmatige instelling via APP
Buil sensor	▪
Water wassen	▪
Anti-diefstal: door GPS + 4G*	○
Google Assistent en Amazon Alexa	▪
PIN code	▪
Lift & Tilt sensor	▪
Regensensor	▪
Eco-modus	▪
LED-koplampen	▪
ACCESSORIES	
Basis passende spijkers	8 pcs
Oplader	3 A (CGF253)
Stroomvoorziening	1.1 A (CGF251)/2 A (CGF152)

4. Installatie

RTK-technologie voor plaatsbepaling met volledige frequentie per satelliet helpt de grasmaaier om zeer nauwkeurige locatie-informatie te verkrijgen. Samen met de VSLAM-technologie en Sunseeker AIR (Artificial Intelligence Recognition) kan de robot positionerings- en navigatietaken uitvoeren in verschillende scenario's, waaronder complexe omgevingen, en zo zorgen voor gazononderhoud van hoge kwaliteit. De geavanceerde hardware en software (intelligente algoritmen) van Sunseeker verbeteren de omgevingsherkenning, positioneringsnauwkeurigheid en algehele prestaties van de maaier aanzienlijk. Net als het menselijk brein verwerken de geavanceerde algoritmen van Sunseeker informatie van RTK (Real-Time Kinematic), VSLAM (Visual Simultaneous Localization and Mapping), IMU (Inertial Measurement Unit) en odometers om de omgevingsherkenning onder verschillende omstandigheden te optimaliseren. Sunseeker RTK technologie, die satelliet signalen ontvangt en real-time positionering uitvoert, stelt gebruikers in staat om virtuele grenzen voor hun grasmaaiers in te stellen, waardoor traditionele grensdraden overbodig worden. Binnen deze virtuele grenzen kan de grasmaaier zijn maaipaden zeer nauwkeurig en efficiënt plannen, waardoor een optimale maaidekking wordt bereikt.

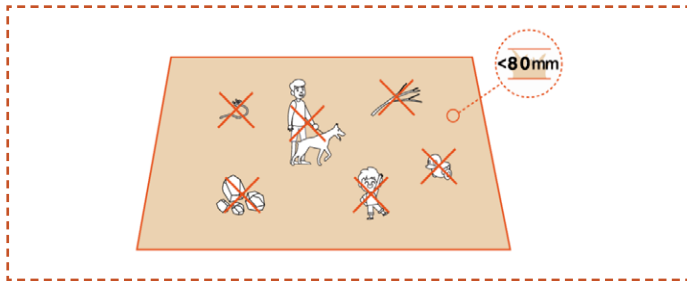


4.1 Voorbereidingen

Bereid het gazon voor

- A. Ruim al het vuil, stapels bladeren, speelgoed, draden, stenen en andere obstakels op.
- B. Zorg ervoor dat kinderen en huisdieren zich buiten het gazon bevinden, om de veiligheid te garanderen
- C. Maai uw gazon tot een hoogte van maximaal 80 mm voordat u de robotmaaier gebruikt.
- D. De totale gazongrootte varieert van 2000 m².

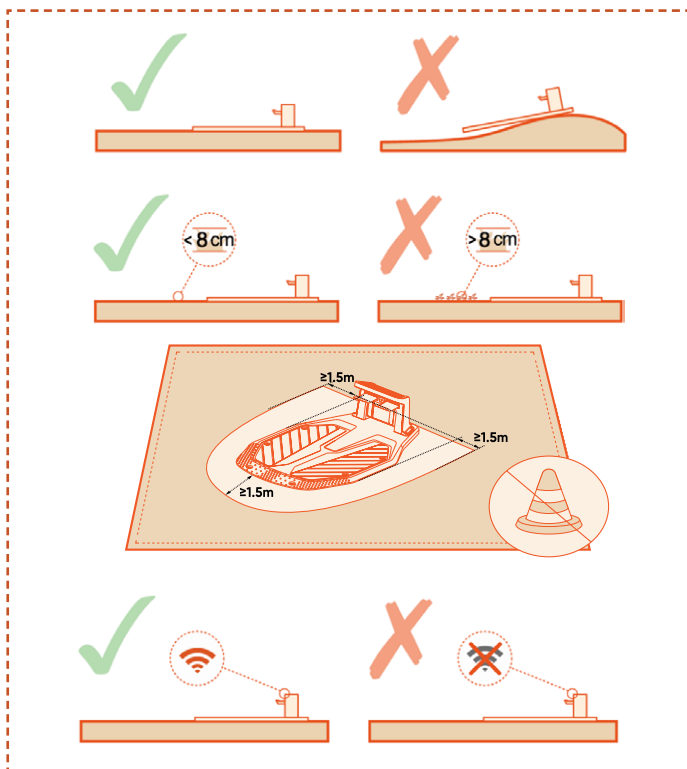
Aanbevolen gazontypes worden weergegeven in de onderstaande afbeeldingen:



4.2 Installeer het laadstation

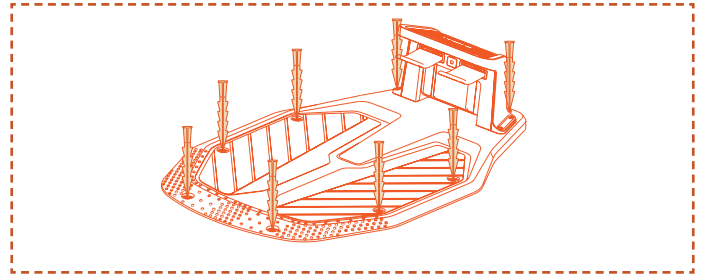
Zoek een geschikte locatie

Zorg ervoor dat de grasmaaier met succes het laadstation kan verlaten en ernaar kan terugkeren, installeer het laadstation op een open, vlakke ondergrond met WIFI in huis. Er mogen zich geen obstakels binnen 1,5 m voor het laadstation bevinden. Als er gras is, moet het lager zijn dan 8 cm.

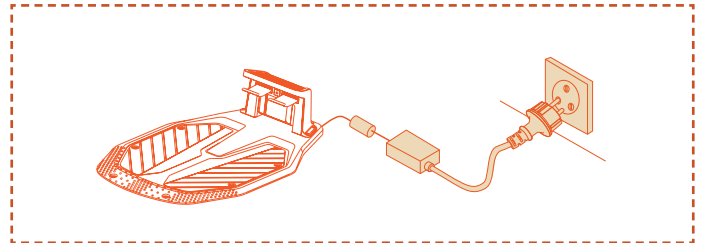


Installeer het laadstation

A. Nagel het laadstation op een niet-geharde en vlakke grond.



B. sluit het netsnoer aan op de voeding. Als er een aanzienlijke afstand is tussen het laadstation en de voeding, zorg er dan voor dat het netsnoer stevig aan de grond en de muur is bevestigd om een veilige werking te garanderen

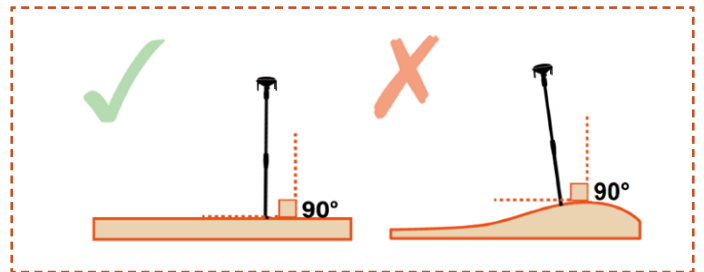


C. Als volledige openheid van alle kanten niet kan worden bereikt, houd dan ten minste de zuidelijke hemel helder wanneer je je op het noordelijk halfrond bevindt, of de noordelijke hemel wanneer je je op het zuidelijk halfrond bevindt. Probeer de oost-en westzijde uit de buurt van obstakels te houden.

4.3 installeer het RTK-basisstation

Zoek een geschikte locatie

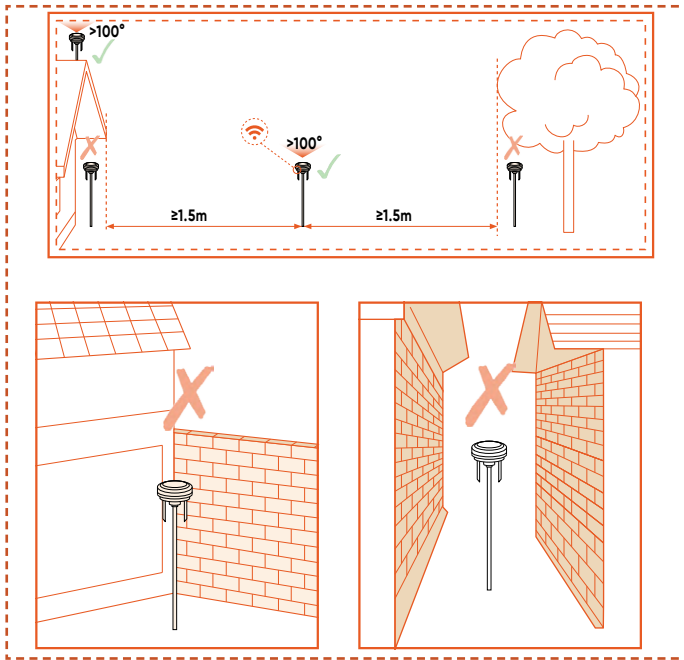
A. plaats het RTK-basisstation rechtop. Vermijd het installeren van het RTK-basisstation op een helling.



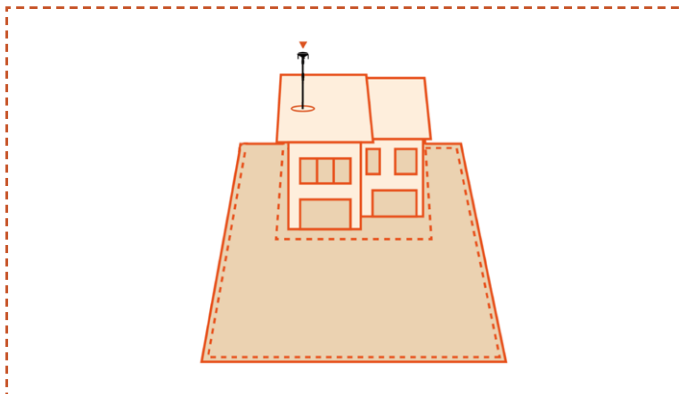
B. De locatie moet worden gedekt door uw huishouden Wi-Fi.

C. Om een goede ontvangst van satelliet signalen te garanderen, installeert u het station in een open en vlakke ruimte zonder dat het signaal wordt geblokkeerd, waar het een duidelijke signaalontvangshoek van ten minste 100° heeft met een onbelemmerde hemel.

D. de afstand tussen RTK-basisstation en muur of bomen moet groter zijn dan 1,5 m.



E. Als u afzonderlijke gazons hebt of als uw gazon de vorm heeft van de letter "O", "U", raden we u aan het RTK-basisstation op het dak of de muur te installeren.



F. Als volledige openheid van alle kanten niet kan worden bereikt, houd dan ten minste de zuidelijke hemel helder wanneer je je op het noordelijk halfrond bevindt, of de noordelijke hemel wanneer je je op het zuidelijk halfrond bevindt. Probeer de oost-en westzijde uit de buurt van obstakels te houden.

Het RTK-basisstation installeren

- A. gebruik nagels om het RTK-basisstation te installeren op een locatie met een toegankelijke stroombron.
- B. sluit de verlengkabel en lader aan op het RTK-basisstation
- C. sluit het RTK-basisstation aan op de stroombron.

Controleer het satelliet signaal



Locatie-Indicatielampje

- Effen groen: Goed satelliet signaal op deze locatie.
- Effen oranje: Zwak satelliet signaal op deze locatie; het wordt aanbevolen om het basisstation opnieuw te installeren in een gebied met een beter signaal, vrij van obstakels.
- Effen rood: Zeer zwak satelliet signaal op deze locatie; U moet het basisstation opnieuw installeren in een gebied met een beter signaal, vrij van obstakels

Wi-Fi-Indicatielampje

- Effen groen: Wi-Fi verbonden en servertoegang ingesteld
- Knippert groen: Wi-Fi wel of niet verbonden met de server
- Geen groen licht: Wi-Fi niet aangesloten

Super WiFi-indicatielampje

- Effen groen: Normale communicatie
- Knippert groen: Koppelen wordt uitgevoerd
- Geen groen licht: Communicatie abnormaliteit

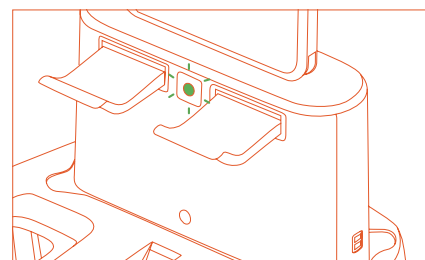
Stroomindicatielampje

- Effen groen: Macht abnormaliteit
- Knippert groen: Macht normaal
- Geen groen licht: Geen macht

4.4 De maaier opladen en activeren

Laad de maaier op

Duw de maaier in het laadstation en zorg ervoor dat de laadelektroden goed aansluiten. Het knipperende groene lampje op het laadstation geeft normaal opladen aan.

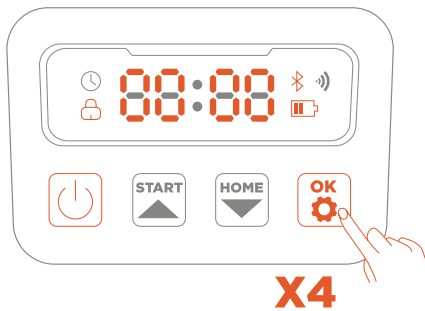


Activeer de maaier

- A. Druk lang op de aan/uit-knop en voer het wachtwoord in. De standaardpincode is "0000". Druk elke keer dat u 0 invoert op OK om het instellingsproces te voltooien.
- B. Bij het invoeren van het wachtwoord kun je de START-knop gebruiken als plustoets (+) en de HOME-knop als mintoets (-).
- C. Als je het wachtwoord wilt wijzigen, druk dan tegelijkertijd op de start- en homeknop om het wachtwoord te wijzigen.

Opmerking

Neem contact op met de klantenservice als het indicatorlampje uit blijft, ook al wordt er op de juiste manier stroom geleverd.

**! Let op**

- Laat geen laders op de grond vallen binnen de virtuele grenzen.
- Als het laadstation binnen de virtuele grenzen is geïnstalleerd, zet het verlengsnoer dan vast op de grond om een goede werking van de maaier te garanderen.

! WAARSCHUWING

- Laad NIET op als het apparaat, de oplader, het oplaadstation of het stopcontact beschadigd is.
- Laad de maaier NIET op wanneer de temperatuur hoger is dan 40 °C (104 °F), of lager dan 5 °C (41 °F). Het opladen zal niet plaatsvinden als de temperatuurlimieten worden overschreden.
- Stop onmiddellijk met opladen als er een abnormale geur, geluid of licht verschijnt.
- Vermijd opladen in de buurt van brandbare of explosieve materialen.

4.5 App-verbinding**OPMERKING**

De volgende illustraties met betrekking tot de app zijn uitsluitend bedoeld voor demonstratiedoeleinden. Beschikbare opties kunnen variëren, afhankelijk van de softwareversie.

Hoe de Sunseeker-app te gebruiken

- Zorg ervoor dat de machine op het laadstation staat en goed oplaadt.
- Scan de QR-code om de Robotic Mower-app te downloaden, of zoek naar "Robotic Mower" in de Google Play Store (Android) of de Apple App Store (iOS) om de installatie te voltooien.



iOS



Android



C. Maak een nieuw account aan en meld u aan. Schakel Bluetooth en Wi-Fi van uw telefoon in. Scan de sn QR-code van de machine om uw robotmaaier toe te voegen. Na een succesvolle koppeling voert u het standaardmachinewachtwoord 0000 in. Wachtwoorden kunnen op de telefoon worden gewijzigd.

D. Configureer uw Wi-Fi voor de machine in de app. De machine moet verbonden zijn met hetzelfde Wi-Fi-netwerk als uw mobiele telefoon. Voer uw WiFi-naam en wachtwoord in.

E. Maak verbinding met wifi. Zodra de verbinding succesvol is. Zodra de verbinding tot stand is gebracht, gaat het Wi-Fi-pictogram op de robot en APP branden.

F. Geef uw robot een naam.

OPMERKING

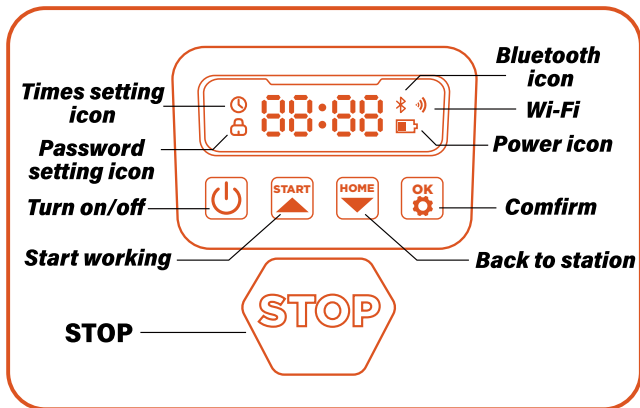
Indien nodig zal de app toegang vragen tot Bluetooth- en Wi-Fi-netwerken om een goede installatie en toekomstige functionaliteit te garanderen en toegang tot deze functies te verlenen.

Gebruik de robotmaaier-app om

- Bind en activeer de maaier.
- Maak een kaart (werkgebied).
- Bewaak de status en voortgang van het werk van de maaier en bedien op afstand de handelingen ervan, zoals starten, stoppen of terugkeren naar het laadstation.
- Bekijk en wijzig de werkinstellingen van de maaier (maaischema, maaihogte, kaartbeheer).
- Bekijk en wijzig de beveiligings-/functie-instellingen van de maaier (PIN, Mes stoppen, enz.).
- Bekijk of update de firmwareversie van het apparaat en bekijk de netwerkverbindingstatus.
- Apparaten loskoppelen, wijzigen of toevoegen
- Hulpinformatie en after-salesondersteuning krijgen.

5. Dagelijkse operatie

5.1 Weergave en bediening op de maaier Weergegeven



Machtspictogram Het pictogram batterijvermogen toont het resterende vermogen van de machine. Dit pictogram met 1 balk geeft aan dat het vermogen 30% of minder is, het weergegeven van 2 balkjes geeft aan dat het resterende vermogen tussen 31-66% ligt, en het weergegeven van 3 balkjes geeft een vermogen van 67% of hoger aan.

WiFi-pictogram: Het WiFi-pictogram geeft aan of de machine met succes verbinding maakt met de Wi-Fi of niet.

Bluetooth-pictogram: Het Bluetooth-pictogram geeft aan of het apparaat met Bluetooth is verbonden of niet.

Tijd Instelling pictogram Het tijdstellingspictogram geeft aan dat de machine naar de tijdstellingsmodus is gegaan.

Wachtwoord instellen pictogram Het slotpictogram dat oplicht geeft aan dat u het wachtwoord moet invoeren of het wachtwoord van de machine moet wijzigen.

Dashboardweergave: Het dashboarddisplay toont de verschillende statussen en modi waarin de machine zich bevindt:

- . **Inactief:** De machine staat in stand-by en er zijn op dit moment geen taken in uitvoering.
- . **Looplicht:** De machine is in het werk wijze. Op dit moment draait de schijf met hoge snelheid. Blijf er alsjeblieft uit de buurt.
- . **----**: Wanneer de regenvertraging wordt ingeschakeld, herkent de machine dat het op dit moment regent, beëindigt het huidige werk en keert terug naar het laadstation.
- . **stop:** De noodstopknop werd op de machine ingedrukt.

Basiscontrole

Aanzetten: Houd de aan/uit-knop 2 seconden ingedrukt.

Zet uit: Houd de aan/uit-knop 3 seconden ingedrukt.

De maaier kan niet worden uitgeschakeld wanneer deze in het laadstation staat. Wanneer de maaier is uitgeschakeld, ziet u het woord "doei" op het dashboard verschijnen en vervolgens wordt het scherm uitgeschakeld.

Start te werken/Aanzetten: Druk op de START-knop en vervolgens op OK.

Terug naar station / uitzetten: Druk op de HOME-knop en vervolgens op OK.

Stop maaier Operatie Druk op STOP.

Start de maaier opnieuw op: Houd de aan/uit-knop 10 seconden ingedrukt om de machine uit te schakelen en vervolgens weer in te schakelen, of druk de machine rechtstreeks in het laadstation en sluit deze aan op de laadelektroden op het station.

5.2 Wijzig de pincode

Als de maaier zich in de vergrendelingsstatus bevindt, moet u de PIN-code invoeren voordat u de maaier handmatig bedient. De standaardcode kan worden gewijzigd via de Robotic Mower app.

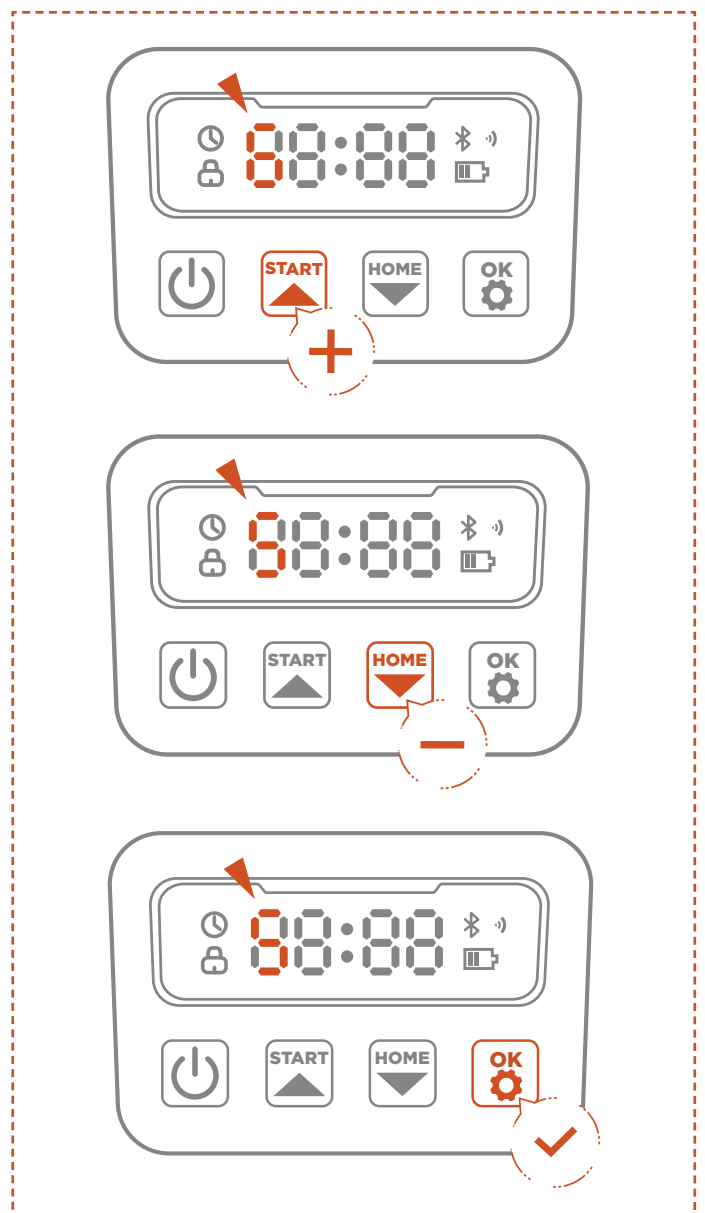
A. Houd de START- en HOME-knoppen gedurende 3 seconden lang ingedrukt.

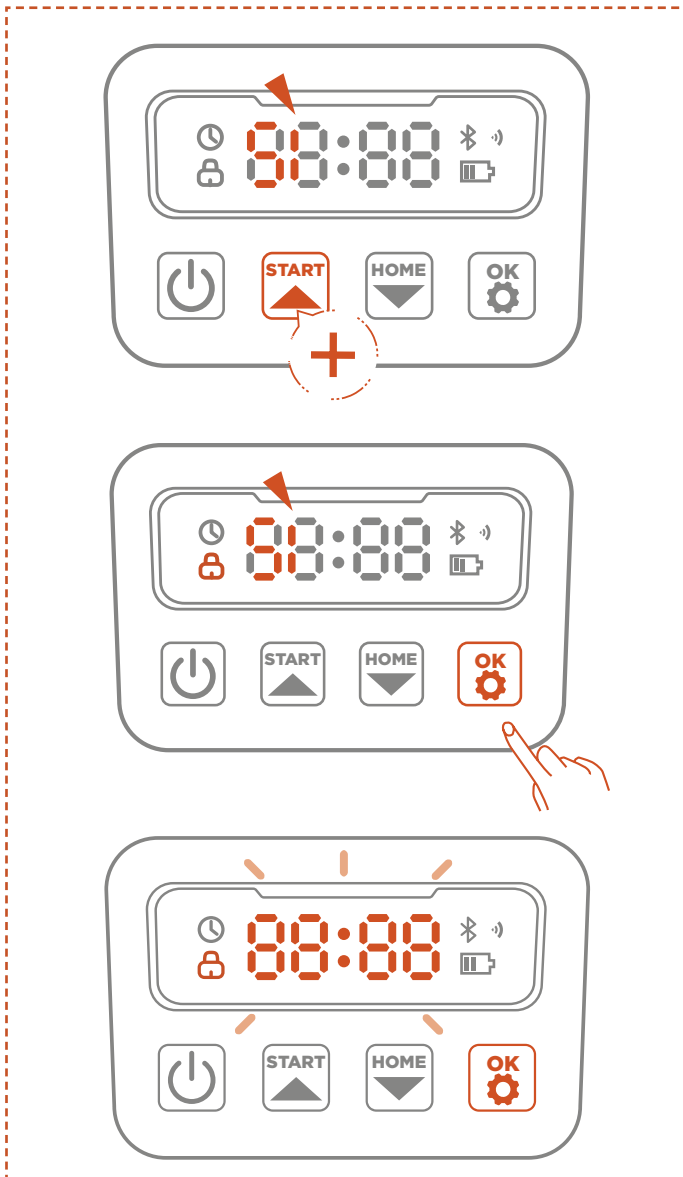
B. Wanneer PIN1 wordt weergegeven en nadat "0---" verschijnt, voert u het oude wachtwoord in.

C. Wanneer PIN2 wordt weergegeven en nadat "0---" verschijnt, voert u het nieuwe wachtwoord in. Druk op OK om te bevestigen.

Opmerking

Als de pincode verkeerd is ingevoerd, wordt op het display "ERR" weergegeven.





5.3 IoT

Het Platform X is een Internet of Things (IoT)-apparaat. Verbind de maaier met het internet via een mobiel netwerk of je Wi-Fi-netwerk om de volgende functies mogelijk te maken:

- A.** Firmware-updates Over-The-Air (OTA), houd uw maaier up-to-date met de nieuwste functies.
- B.** Schakel bediening op afstand via het netwerk in:
starten met maaien, stoppen met maaien, terugkeren naar laadstation, maaischema instellen, maaihoogte instellen en andere functies.
- C.** Bewaak op afstand de maaivoortgang en de locatie van de maaier.
- D.** Rapporteer foutcodes en de status van de maaier via het netwerk.

Wi-Fi

Platform X gebruikt Wi-Fi om verbinding te maken met een netwerk. Zie Wi-Fi-instelling voor meer details.

OPMERKING

- Platform X ondersteunt alleen een 2,4GHz Wi-Fi-netwerk
- Als u een iOS-apparaat gebruikt, kan de maaier alleen verbinding maken met de Wi-Fi waarmee uw mobiele apparaat is verbonden. Volg de instructies in de app. Verbind eerst uw mobiele apparaat met Wi-Fi en verbind vervolgens de maaier met dezelfde Wi-Fi. Dergelijke vereisten bestaan niet voor Android-apparaten.

Firmware-updates

We zullen doorgaan met het updaten van de firmware van de maaier. Als er een nieuwe versie van de firmware is, ontvang je een pop-upmelding in de app. Het wordt aanbevolen om een update uit te voeren zodra de nieuwste firmware beschikbaar is.

Bij het updaten van de firmware moet aan de onderstaande voorwaarden worden voldaan:

- De machine staat op het laadstation.
- Het netwerk is verbonden.
- Het batterijvermogen is meer dan 30%.
- Er is geen maaiplan over een uur.

Tijdens het updaten knippert het omgevingslicht op de maaier blauw. U kunt de voortgang van de update bekijken in uw app. Nadat de update is voltooid, wordt het omgevingslicht van de maaier groen.

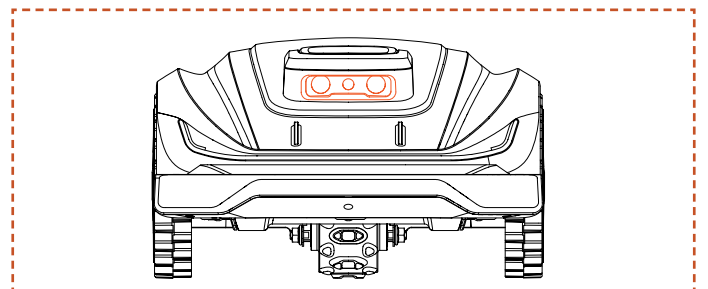
! WAARSCHUWING

- Verplaats de maaier NIET tijdens het updateproces.

5.4 Obstakel vermijden

Verrekijker camera

Een verrekijkercamera maakt deel uit van de standaarduitrusting van Platform X. Ze zijn ontworpen voor visuele grensdetectie, het vooraf vermijden van obstakels en visuele herkenning van QR-codes tijdens het laadproces, waardoor de maaier intelligenter wordt.



OPMERKING

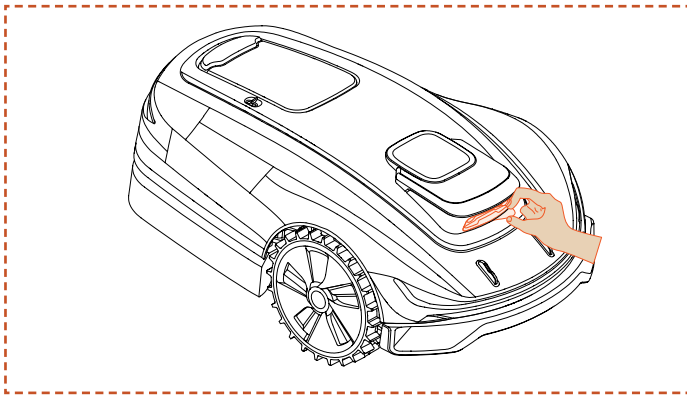
- Werken in donkere omgevingen kan van invloed zijn op het vermogen van de machine om obstakels nauwkeurig en snel te herkennen en deze te vermijden. Het wordt aanbevolen het apparaat 's nachts niet te gebruiken.
- Als er te veel obstakels in uw gazon zijn, overweeg dan om er no-go-zones omheen te zetten of enkele obstakels te verwijderen om de efficiëntie van de machine te verbeteren.

Kunstmatige intelligentieherkenning

Sunseeker AIR (Artificial Intelligence Recognition) herdefinieert veiligheid en beveiliging met gepatenteerde cameragebaseerde VSLAM en Sunseeker AIR, die een breder gezichtsveld (FOV) bieden voor het detecteren van obstakels, anticiperen op hun aanwezigheid en het vakkundig aanpassen van het pad van de maaier om ze te vermijden. Obstakelvermijdingsfuncties zijn ontworpen om de prestaties van je maaier te verhogen en je veiligheid te verbeteren.

Bumper sensor

In Platform X zijn sensoren geïnstalleerd om obstakels te detecteren. Wanneer de bumper tegen een obstakel botst en de sensor activeert, zal de maaier achteruit gaan en het obstakel ontwijken.



OPMERKING

- Uw Platform X kan objecten ontwijken nadat u er tegenaan botst. Het is echter aan te raden om overtollige rommel te verwijderen voordat je gaat maaien.

6. Onderhoud

- A.** Ervaar superieure maairesultaten en verleng de levensduur van uw maaier met Onderhoud.
- B.** Regelmatige inspectie en wekelijks onderhoud door een volwassene zijn essentieel om de optimale prestaties van de machine te garanderen.
- C.** Bescherm uw welzijn door u aan de veiligheidsrichtlijnen te houden: voer geen onderhoud uit terwijl u open sandalen draagt of op blote voeten loopt.
- D.** Geef altijd prioriteit aan de veiligheid door tijdens het onderhoud van de maaier een lange broek en werkschoenen aan te trekken.
- E.** Vervang beschadigde of versleten onderdelen onmiddellijk om een naadloze werking te garanderen.

ALLEEN bevoegde servicemonteurs mogen het chassiscompartiment achter de bumper openen en opnieuw afsluiten. De beperkte garantie kan komen te vervallen als u uw eigen onderhoud uitvoert.

OPMERKING: VERZEKERING

U kunt niet worden gedekt voor ongevallen met dit product door uw verzekeringspolissen. Neem contact op met je verzekeraar of tussenpersoon om na te gaan of dekking wordt geboden.

6.1 Schoonmaken

- A.** Schakel de maaier uit.
- B.** Gebruik een zachte borstel of doek om de buitenkant zorgvuldig schoon te maken en vermijd bijtende oplosmiddelen zoals alcohol, benzine of aceton. Deze stoffen kunnen zowel het uiterlijk als de interne onderdelen van je maaier beschadigen.

OPMERKING

Voor naadloos docken is het cruciaal om het laadstation regelmatig te onderzoeken en te reinigen van vuil en modder.

- Zorg ervoor dat alle verbindingdelen van het laadstation, de verlengkabel en de voeding onbelemmerd blijven voor optimale prestaties.

Chassis en bladschijf

- A.** Om het chassis en de bladschijf schoon te maken, is het aan te raden om een borstel of een waterslang te gebruiken.
- B.** Gebruik geen hogedrukreiniger, want deze kan schade veroorzaken.
- C.** Zorg ervoor dat de messchijf soepel draait en dat de messen zonder enige beperking kunnen draaien.



LET OP

- Water onder hoge druk kan in de afdichtingen lekken en elektronische en mechanische onderdelen beschadigen.

Wielen

Gras op de wielen kan de prestaties van de maaier belemmeren bij het beklimmen van hellingen. Gebruik de bruh om modder of andere voorwerpen ertussenuit te halen voor een goede grip.

Regensensor

A. Controleer de regensensor eens per maand en zorg ervoor dat hij niet bedekt is door modder, gras of andere voorwerpen.

B. Was modder, gras of andere voorwerpen af of gebruik een zachte borstel om het schoon te maken.

C. Droog het sensorgebied na het reinigen om te voorkomen dat het wordt geactiveerd zoals bij regen.

Camera

Maak de camera regelmatig schoon om hem schoon te houden.



WAARSCHUWING

- Zorg ervoor dat de maaier is uitgeschakeld voordat u hem schoonmaakt.
- Zet de maaier uit wanneer deze op zijn kop staat.

6.2 Bladen vervangen

Voor betere maaiprestaties en veiligheid wordt aanbevolen om de schroeven en bladen van de maaier om de 1-2 maanden te vervangen als deze vaak wordt gebruikt. Voor een veilig snijsysteem, vervang alle messen samen met hun schroeven op hetzelfde moment. Raadpleeg het gedeelte "Specificatie - accessoires" voor onderdelen die kunnen worden gebruikt.



WAARSCHUWING

- Drag dikke handschoenen bij het inspecteren of onderhouden van het blad.
- Gebruik de schroeven NIET opnieuw. Ernstige verwondingen kunnen het gevolg zijn van dit doen.
 - We raden sterk aan om de juiste schroeven en originele bladen te gebruiken die door ons zijn verkocht. (NO.80201457).

De messen vervangen

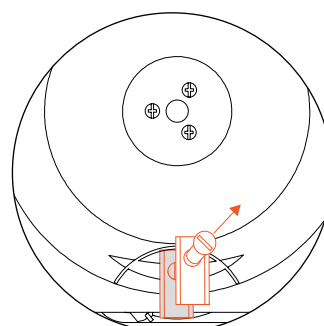
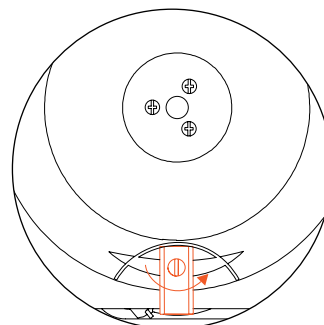
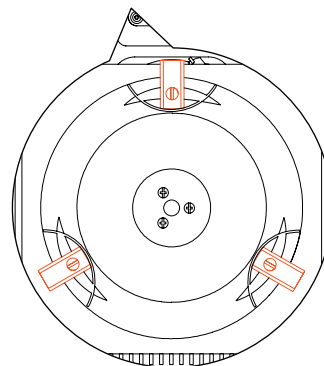
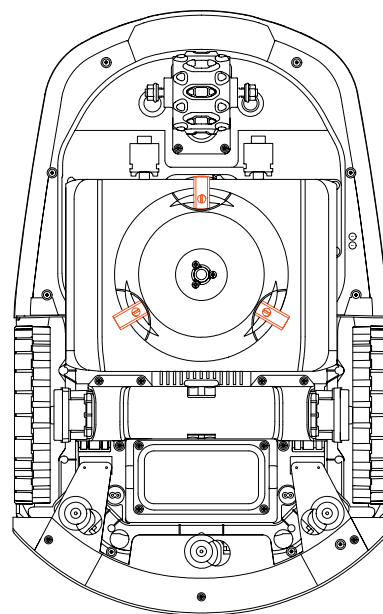
A. Schakel de maaier uit.

B. Zet de maaier ondersteboven op een vlakke, zachte oppervlakte om krassen te voorkomen.

C. Gebruik een kruiskopschroevendraaier om de schroeven los te draaien.

D. Verwijder de schroeven en messen.

E. Bevestig de nieuwe messen en schroeven (Aanhaalmoment 1.0+0.2 N.m). Zorg ervoor dat de messen vrij kunnen draaien.



OPMERKING

- Vervang de schroeven met een standaardkoppel van $1,0+0,2$ N.m Een onjuist koppel kan tot vermijdbare problemen leiden.

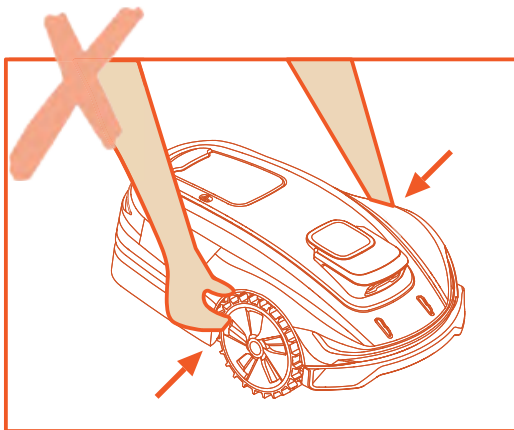
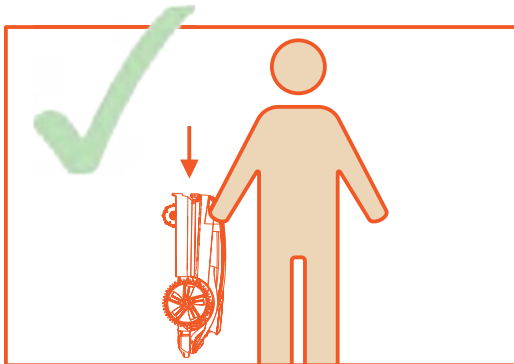
- Zorg ervoor dat de maaier is uitgeschakeld en controleer of de messen goed zijn aangebracht. Controleer op abnormale geluiden of trillingen.

6.3 Vervoer

Zorg ervoor dat de veiligheid van de maaier tijdens transport over lange afstanden door gebruik te maken van de originele verpakking. Voordat u het product opheft, verplaatst of vervoert, moet u ervoor zorgen dat u het uitschakelt. Behandel met zorg en vermijd geweldadige kracht, zoals gooien en zware druk. Til of draag de maaier nooit terwijl de motor draait.

Hoe goed te bewegen of te tillen

Draag de maaier bij het handvat. Houd de schijf van het mes weg van uw lichaam gericht.

**6.4 Batterij**

A. Laad de batterij volledig op voordat u deze opbergt om overontlading en schade aan de elektrische onderdelen te voorkomen.

B. De beperkte garantie biedt geen bescherming tegen schade aan de batterij door overontlading.

C. Laad de accu NIET op bij een luchttemperatuur lager dan 5°C (41°F) of boven 40°C (104°F).

D. Als de accu wordt opgeladen bij een luchttemperatuur tussen 18°C en 25°C , kan deze de levensduur verlengen en de prestaties verbeteren.

E. De accu presteert het beste wanneer deze wordt gebruikt bij normale kamertemperatuur ($20^{\circ}\text{C} \pm 5^{\circ}\text{C}$)

OPMERKING

- De levensduur van de batterij is afhankelijk van hoe vaak het product wordt gebruikt en de totale werkuren. Wanneer de gebruikstijd bij volledige lading aanzienlijk korter is dan normaal of het gazon niet goed wordt gemaaid, wordt aanbevolen de accu te vervangen.

Hoe de batterij te vervangen

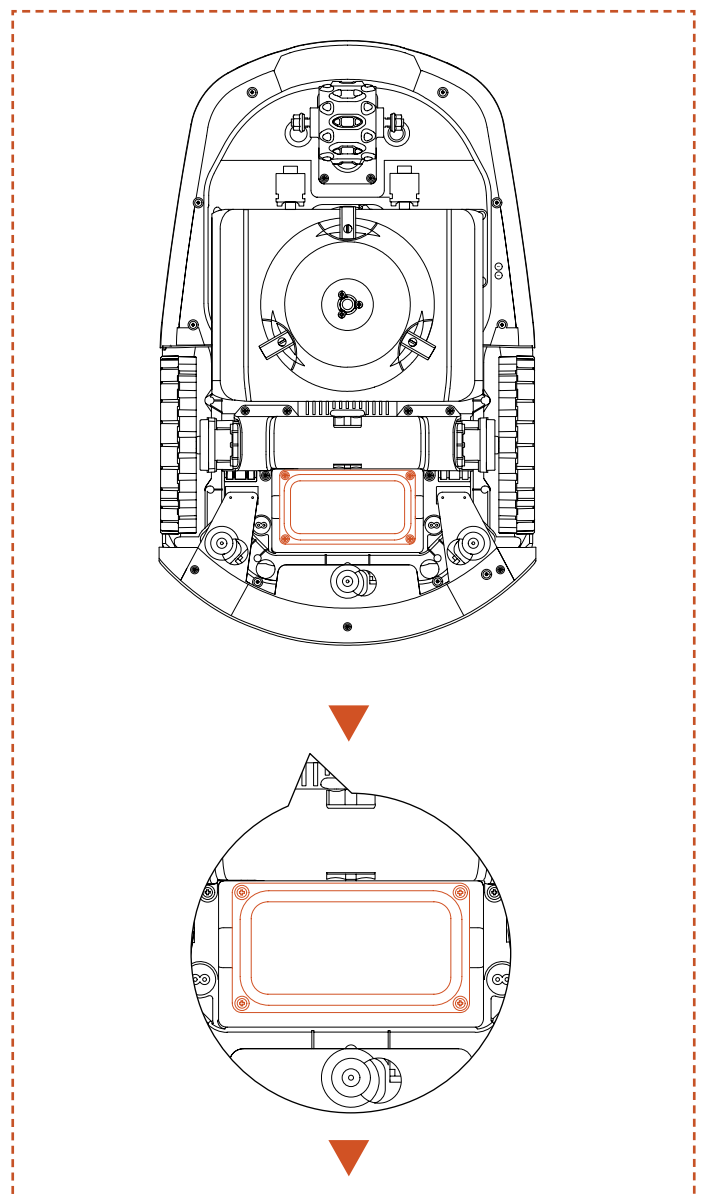
A. Schakel de maaier uit.

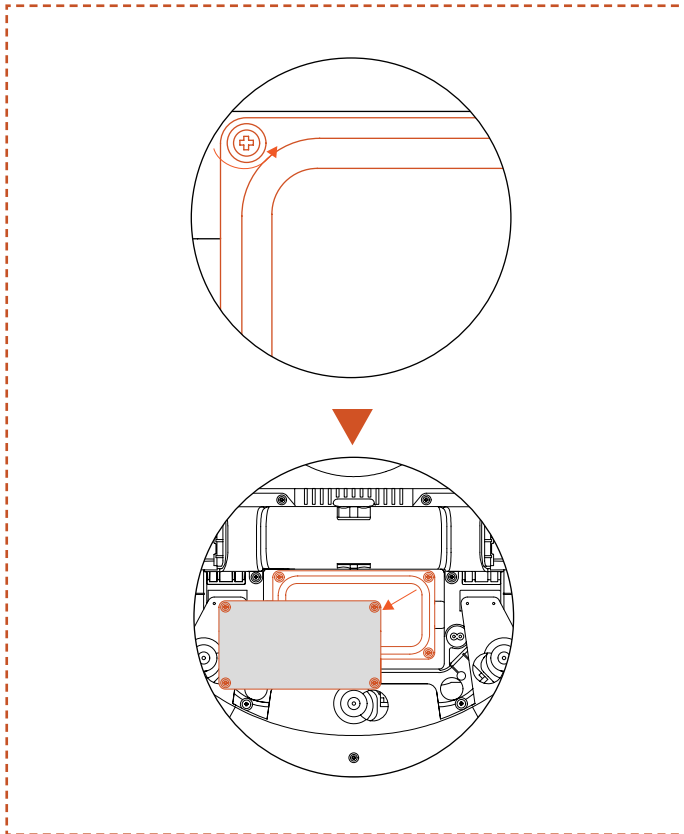
B. Plaats de grasmaaier ondersteboven op een smetteloze, zachte ondergrond.

C. Draai de 4 schroeven los waarmee het batterijcompartiment op zijn plaats zit met een kruisschroevendraaier.

D. Haal de stekker los.

E. Haal de batterij eruit en vervang deze door de nieuwe.





! WAARSCHUWING

- Gebruik uitsluitend de originele accu of die van hetzelfde model als gespecificeerd door SUNSEEKER. Elke maaier bevat één batterijpakket.
- Afhankelijk van het specifieke maaiermodel bedraagt de nominale capaciteit van de accu 5000 mAh of 10000 mAh.
- Gebruik geen niet-oplaadbare batterijen. Gebruik voor het opladen van de batterij alleen de afneembare voedingseenheid die bij dit product is geleverd.
- Vermijd het breken of demonteren van de batterijbehuizing. Vermijd contact met metalen voorwerpen om kortsluiting te voorkomen. Blijf uit de buurt van warmtebronnen, vuur en direct zonlicht.
- Neem voor meer informatie over batterij- en elektrisch afval contact op met uw verkooppunt, uw plaatselijke of regionale afvalverwerkingskantoor of uw afvalverwerkingsdienst.
- Het is niet de bedoeling dat het batterijcompartiment vaak wordt geopend. Als u een nieuwe batterij nodig hebt, mag u het batterijvak alleen openen.
- Het accupakket bevat elektrolyten. Als de elektrolyt lekkage in contact komt met uw huid, afwassen met zeep en water onmiddellijk. Haal medische hulp in geval van oogcontact en spoel de ogen onmiddellijk met veel water gedurende ten minste 15 minuten zonder te wrijven.

6.5 Stroomvoorziening

Koppel de voeding los:

- A.** Voordat u een verstopping verhelpt.
- B.** Voordat u de machine controleert, schoonmaakt of eraan werkt
- C.** Inspecteer de machine op schade nadat u een vreemd voorwerp hebt geraakt.
- D.** Controleer regelmatig het snoer, de stekker, de behuizing en andere onderdelen. Als er schade of tekenen van veroudering worden gevonden, stop dan onmiddellijk met het gebruik.

! WAARSCHUWING

- Gebruik NOOIT een beschadigde voeding. Om een gevaar te voorkomen, moet het beschadigde voedingskabel worden vervangen door de fabrikant, zijn servicemedewerker of andere naar behoren gekwalificeerde personen. Als het verlengsnoer defect is, vervang het dan door een SUNSEEKER goedgekeurd 10 m snoer.
- Raak NOOIT een verlengsnoer of beschadigd snoer aan voordat het is losgekoppeld van de voedingsbron of voordat het is aangesloten op de voeding. Een beschadigd snoer kan contact met elektrische componenten veroorzaken.
- De voeding mag niet worden gebruikt in combinatie met andere apparaten of batterijen, omdat dit het risico op elektrische schokken, brand of persoonlijk letsel verhoogt. Als u iets anders gebruikt dan originele batterijen, kan de productveiligheid niet worden gegarandeerd.
- Laad NIET op als de batterij lekt.
- Houd de verlengkabel uit de buurt van bewegende gevaarlijke onderdelen om schade aan de snoeren te voorkomen die kan leiden tot contact met onderdelen onder spanning.

Aanbeveling

Sluit de maaier en/of randapparatuur alleen aan op een voedingscircuit dat wordt beveiligd door een aardlekschakelaar (RCD) met een uitschakelstroom van maximaal 30 mA.

6.6 Opslag

- A.** Zorg ervoor dat de maaier volledig is opgeladen en uitgeschakeld voordat u hem opbergt om overontlading te voorkomen, wat kan leiden tot blijvende schade.
- B.** Droog en koel binnen bewaren. Blootstelling aan zonlicht en extreme temperaturen (warm of koud) versnelt het verouderingsproces van onderdelen en kan permanente schade veroorzaken.
- C.** Houd chemicaliën en warmtebronnen (kachels, radiatoren, enz.) uit de buurt van de maaier, het laadstation en de voeding.

D. Sla de voeding op in een ruimte met goede ventilatie en bescherm deze tegen vocht.



WAARSCHUWING

- Haal de stekker uit het stopcontact als er onweer wordt voorspeld. Koppel alle draden en kabels los die aan het laadstation vastzitten. Maak opnieuw verbinding wanneer er geen kans meer is op onweer.

Extra vereisten voor winterstalling

De maaier:

- A. Reinig de maaier grondig voordat u hem opbergt.
- B. Controleer de onderdelen die aan slijtage onderhevig zijn, zoals de messen.
- C. Repareer of vervang ze als ze in slechte staat zijn.
- D. Bewaar de maaier op een droge en vorstvrije plaats, terwijl hij op alle wielen staat, bij voorkeur in de oorspronkelijke verpakking.

Het laadstation:

- A. Maak de verbinding met het laadstation los en haal de stekker uit het stopcontact
- B. Houd het laadstation uit direct zonlicht en zet het binnen

6.7 Recycling en verwijdering aan het einde van de levensduur

Dit product is GEEN huishoudelijk afval. Neem contact op met uw gemeente, verkooppunt of huishoudelijke afvaldienst voor informatie over recycling.



WAARSCHUWING

- Dit product mag niet worden gestort, verbrand of samen met gewoon huishoudelijk afval worden weggegooid. Elektrische componenten kunnen gevaar of ernstige schade veroorzaken.

7. FAQ en probleemoplossing

7.1 Foutmelding

Foutcode	Betekenis	Mogelijke oorzaak
E1	Robot uit werkzone	Hoe "Robot buiten werkzone" oplossen?
E2	Blok wielmotor	wielmotor zit vast
E3	fout snijmotor	Snijmotor zit vast
E4	Robot bumper vast	1. Te veel obstakels 2. Controleer of de bumper op de juiste plaats is blijven zitten.
E5	Robot opgetild	Controleer of de machine is opgetild
E6	Robot kantelen	Controleer of de machine op een oneffen ondergrond staat.
E7	Hoeksensor vaak geactiveerd	Controleer of de machine op een oneffen ondergrond staat.
E8	Niet docken op het laadstation tijdens het opladen	Hoe los ik de foutmelding "Docking op laadstation mislukt tijdens opladen" op?
E9	Robot gevangen	1. Bevestig of er te veel obstakels rond de machine zijn 2. De robot kwam in een nauwe ruimte en kon er niet uit 3. Maaier slijt
E10	Upgrade mislukt	1. Controleer of het WiFi-sigitaal erg zwak is 2. Controleer of de machine wordt opgeladen in een laadstation
E12	Fout in accuspanning	1. Plaats het apparaat op het laadstation om te zien of het volledig kan worden opgeladen. 2. Overlaadstroom 3. Duur van opladen 4. Batterijspanning te hoog of te laag
E13	Fout bij opladen	Defecte lader
E14	Het huidige kaartgebied is te groot en overschrijdt het maximale werkgebied dat door de robot wordt ondersteund.	Bouw een nieuwe kaart binnen het nominale capaciteitsbereik van het product
E15	Storing achterwielmotor/stuurmotor	Achterwielmotor/stuurmotor zit vast
E16	Storing hoogtemotor	Liftmotor zit vast
E17	Kan het laadstation niet vinden	Hoe los ik de foutmelding "Docking op laadstation mislukt tijdens opladen" op?
E18	Batterij bijna leeg	Het is mogelijk dat de machine door een fout niet kan terugkeren naar het laadstation om normaal op te laden. Verplaats het handmatig naar het laadstation om op te laden
E19	Verbinding mislukt	1. Er zijn 4 QR codes aan de achterkant van de machine, en bij het toevoegen van een machine moet je de eerste QR code selecteren. 2. Controleer of Bluetooth op de telefoon is ingeschakeld en of de telefoon zich binnen een bereik van 1 meter van het apparaat bevindt. 3. Heb je het juiste opstartwachtwoord ingevoerd, dat standaard 0000 is? 4. Is de wifi 2,4 GHz? 5. Is het WiFi-wachtwoord correct?

Foutcode	Betekenis	Mogelijke oorzaak
E21	RTK initialiseren mislukt	<ol style="list-style-type: none"> 1. Controleer of het basisstation correct is geïnstalleerd en of er geen obstructies zijn. 2. Controleer of de machine geblokkeerd is 3. Controleer of er geen grote obstakels zijn die het signaal tussen het basisstation en de machine blokkeren.
E22	Fout in frontcamera	Controleer of de camera wordt geblokkeerd
E23	Fout bij lege kaart	Maak een kaart voordat je begint
E24	RTK basis signaal verloren	<ol style="list-style-type: none"> 1. Controleer of het basisstation is ingeschakeld. 2. Controleer of het basisstation correct is geïnstalleerd Het RTK-station installeren 3. Controleer of er een obstructie is tussen het basisstation en de machine. 4. Probeer opnieuw verbinding te maken met het basisstation
E25	Mapping mislukt	<ol style="list-style-type: none"> 1. Bevestig of de kaart gesloten is 2. Controleer of de machine een goede wifi-verbinding heeft
E26	RTK kalibratie mislukt	Hoe los ik de foutmelding "RTK kalibratie mislukt" op?
EE	Dealerondersteuning nodig	<ol style="list-style-type: none"> 1. Slecht contact van de batterij 2. Displaykaart defect 3. Grensplaat defect 4. Multifunctionele printplaat abnormaal 5. Hardwarefout 6. Andere fouten
BP	Fout accutemperatuur	<ol style="list-style-type: none"> 1. Controleer of de omgevingstemperatuur te hoog is 2. Controleer of de omgevingstemperatuur te laag is
VERGRENDELEN	Vergrendeld. Probeer het na 10 minuten opnieuw.	<ol style="list-style-type: none"> 1. Voer het juiste wachtwoord in 2. Als je je wachtwoord bent vergeten, kun je het resetten naar 0000 door de fabrieksinstellingen te resetten via de app. 3. Als de mobiele app niet is verbonden met de ma-chine, neem dan contact op met de after-sales service
STOP	Handmatige stop	STOP-knop wordt ingedrukt

Ga te werk bij abnormale trillingen:

- A.** Schakel de machine uit.
- B.** Draai de machine 180 graden
- C.** Controleer de toestand van de messen op beschadigingen of defecten.
- D.** Het wordt aanbevolen om alle drie de bladen te vervangen.
- E.** Draai de machine terug om te beginnen werken

7.2 Problemen oplossen

Als u problemen ondervindt met producten of apps, veelvoorkomende problemen en vragen, bekijk dan de FAQ-artikelen op de officiële website van Sunseeker (<https://support.sunseeker-elite.com>) of uit de sectie "Help en feedback" van de App.

8. Belangrijke informatie

8.1 Privacy van gegevens

Verwerking van persoonlijke gegevens binnen Platform X

- Wie en waarom?

Wanneer u zich registreert voor en gebruik maakt van Sunseekers Platform X, zal Sunseeker (of "wij"), als de verwerkingsverantwoordelijke, uw persoonlijke gegevens verwerken. Wij zullen uw persoonsgegevens verwerken om:

1. U te voorzien van een Platform X-verbinding of u een aanbod te doen voor een dergelijke dienst. De wettelijke basis is dat de verwerking noodzakelijk is voor de uitvoering van het contract dat u met ons bent aangegaan, of om stappen te ondernemen voorafgaand aan het aangaan van een contract met ons.
2. Het verder ontwikkelen en verbeteren van onze producten en diensten. De rechtsgrondslag is ons gerechtvaardigd belang bij de ontwikkeling en verbetering van onze producten en diensten.
3. Maak connectiviteit van Platform X (internet der dingen) mogelijk: gebruik partnerintegraties (bijvoorbeeld slimme assistenten, inclusief apparaten met spraakfunctionaliteit); gebruik connectiviteitsplatforms om Platform X te verbinden met apparaten, apps en diensten van derden; en bouw je eigen smart home-integratie. De wettelijke basis is dat de verwerking noodzakelijk is voor de uitvoering van het contract dat u met ons bent aangegaan.
4. U te voorzien van relevante informatie met betrekking tot uw Platform X ervaring. De wettelijke basis is ons legitieme belang om u op de hoogte te houden van uw specifieke producten en diensten en de functies ervan.
5. U ondersteuning en probleemoplossing te bieden met betrekking tot Platform X. De rechtsgrondslag is dat de verwerking noodzakelijk is voor de uitvoering van het contract dat u met ons bent aangegaan.

Als u ons uw toestemming hebt gegeven (in welk geval uw toestemming de rechtsgrondslag is), kunnen wij uw persoonsgegevens ook verwerken voor de volgende doeleinden:

1. U aangepaste advertenties en nieuwsbrieven over onze producten en diensten te sturen.
2. U klantenenquête toe te sturen en de door u geleverde input te analyseren zoals verder uiteengezet in dergelijke communicatie.

Uw gegevens worden verwerkt zolang Sunseeker dit vereist om de bovengenoemde doeleinden te vervullen, maar in geen geval langer dan de toepasselijke wetgeving toestaat.

- Welke persoonlijke gegevens verwerken we?

Wij kunnen de volgende persoonsgegevens verwerken::

1. Persoonlijke gegevens: voor-en achternaam, nationaliteit, taalvoorkeuren;
2. Contactgegevens: e - mailadres, postadres;
3. Accountinformatie: accountleeftijd, wachtwoord, accountnummer;
4. Andere gegevens met betrekking tot uw Platform X: maaiernaam, koppelingsnamen, acties die worden geactiveerd door het gebruik van partnerintegraties en apparaatinformatie.

- Gebruik van locatiegegevens

Sommige van onze diensten werken alleen als we de locatie van je maaier kunnen bepalen (bijv. weerdisplay). Wanneer u de locatie van uw maaier met ons deelt, worden de gegevens opgeslagen als onderdeel van uw profiel en kunnen ze in gepseudonimiseerde vorm naar derden worden verzonden om de betreffende dienst te kunnen leveren (bijv. om de maaier te parkeren bij hevige regenval).

8.2 Beperkte garantie

Beperkte garantie

Wij bieden 2 jaar garantie. Voordat u een garantieclaim indient, raden wij u ten zeerste aan eerst het gedeelte Veelgestelde vragen en probleemoplossing van de gebruikershandleiding te raadplegen. Onze toegewijde klantenservice is er ook om te helpen. Om garantieclaims in te leiden, moet u een aankoopbewijs overleggen, inclusief een geldig ontvangstbewijs met de datum en plaats van aankoop.

Onze garantie dekt niet:

Onderdelen die onderhevig zijn aan normale slijtage zoals grondpalen, snijschijven en accu.

8.3 Disclaimers

We bieden klanten after-sales service, met uitzondering van de volgende omstandigheden:

1. Crashschade veroorzaakt door factoren buiten de productie, inclusief maar niet beperkt tot gebruikersfouten.
2. Schade veroorzaakt door onbevoegde wijziging, demontage of opening van de behuizing niet in overeenstemming met officiële instructies of handleidingen.
3. Schade veroorzaakt door onjuiste installatie, onjuist gebruik of bediening niet in overeenstemming met officiële instructies of handleidingen.
4. Schade veroorzaakt door een niet-geautoriseerde serviceprovider.
5. Schade veroorzaakt door ongeoorloofde wijziging van circuits en/of verkeerd gebruik van de batterij en oplader.
6. Schade veroorzaakt door gebruikers die de instructies en aanbevelingen in de handleiding niet opvolgen.
7. Schade veroorzaakt door gebruik in slechte gazonomstandigheden (bijv. grote plassen gebieden wanneer de begrensde gebieden niet goed zijn ingesteld, locaties met veel stenen die het gazonoppervlak bedekken, enz.)
8. Schade veroorzaakt door het gebruik van het product in omgevingen met elektromagnetische interferentie, waaronder mijngebieden of de nabijheid van radiotransmissiemasten, hoogspanningsdraden, substations, enz.
9. Schade veroorzaakt door het gebruik van het product in omgevingen met interferentie van andere draadloze apparaten, zoals zenders, video-downlinks, Wi-Fi-signalen, enz.
10. Schade veroorzaakt door betrouwbaarheids- of compatibiliteitsproblemen bij het gebruik van niet-geautoriseerde onderdelen van derden.
11. Schade veroorzaakt door het gebruik van het toestel met een lege of defecte batterij.

12. Schade veroorzaakt door onvoorspelbare factoren zoals auto-ongelukken, aanvallen van wilde dieren, overstromingen, enz.

Deze inhoud kan zonder voorafgaande kennisgeving worden gewijzigd

FCC-verklaring

Dit apparaat voldoet aan deel 15 van de FCC-regels. Bediening is onderworpen aan de volgende twee voorwaarden: (1) dit apparaat mag geen schadelijke interferentie veroorzaken, en (2) dit apparaat moet alle ontvangen interferentie accepteren, inclusief interferentie die een ongewenste werking kan veroorzaken. Wijzigingen of aanpassingen die niet uitdrukkelijk zijn goedgekeurd door de partij die verantwoordelijk is voor naleving kunnen de bevoegdheid van de gebruiker om de apparatuur te bedienen ongeldig maken.

OPMERKING

Deze apparatuur is getest en voldoet aan de limieten voor een digitaal apparaat van klasse B, overeenkomstig deel 15 van de FCC-regels. Deze limieten zijn bedoeld om redelijke bescherming te bieden tegen schadelijke interferentie in een residentiële installatie. Deze apparatuur genereert radiofrequentie-energie en kan deze uitstralen en kan, indien niet geïnstalleerd en gebruikt in overeenstemming met de instructies, schadelijke interferentie aan radiocommunicatie veroorzaken. Er is echter geen garantie dat er geen interferentie zal optreden in een bepaalde installatie. Als deze apparatuur schadelijke interferentie veroorzaakt aan radio- of televisieontvangst, wat kan worden vastgesteld door de apparatuur in en uit te schakelen, wordt de gebruiker aangeraden te proberen de interferentie te corrigeren door een of meer van de volgende maatregelen:

- Heroriënteer of verplaats de ontvangstantenne.
- Vergroot de afstand tussen de apparatuur en de ontvanger.
- Sluit de apparatuur aan op een stopcontact op een ander circuit dan dat waarop de ontvanger is aangesloten.
- Raadpleeg de dealer of een ervaren radio-/tv-technicus voor hulp.
- Om aan de FCC-vereisten voor RF-blootstelling te voldoen, moet tijdens de werking van het apparaat een afstand van 20 cm of meer worden aangehouden tussen de antenne van dit apparaat en personen. Om naleving te garanderen, worden werkzaamheden dichterbij dan deze afstand niet aanbevolen

WAARSCHUWING voor knoopcel- of knoopcelbatterij:

- a) Verwijder gebruikte batterijen en recycle ze onmiddellijk, of gooi ze weg volgens de plaatselijke regelgeving en houd ze buiten het bereik van kinderen.
- b) Gooi batterijen NIET weg bij het huisvuil of verbrand ze niet.
- c) zelfs gebruikte batterijen kunnen ernstig letsel of de dood veroorzaken.
- d) bel een lokaal ANTIGIFCENTRUM voor behandelingsinformatie.
- e) Batterijtype: CR2032.
- F) nominale spanning: 3.0 Vdc.
- g) Niet-oplaadbare batterijen mogen niet worden opgeladen.
- h) Forceer het ontladen niet, laad het apparaat niet opnieuw op, demonteer het niet, verwarm het niet boven (door de fabrikant opgegeven temperatuurbereik) of verbrand het. Als u dit wel doet, kan dit leiden tot letsel als gevolg van ontluchting, lekkage of explosie, met chemische brandwonden tot gevolg.
- i) Het product bevat een niet-vervangbare knoopcel.



EG-verklaring van overeenstemming

Wij.

Zhejiang Sunseeker Industrial Co., Ltd.

988 Jinde Rd. Jiangdong Industrial Park, Jinhua, Zhejiang 321000 P.R CHINA

Verklaart en aanvaardt aansprakelijkheid dat het product:

Merksnaam: SUNSEEKER

Productnaam: Robotachtige grasmaaier

Model: RMX1600L20V, RMX2000L20V, RMX2500L20V, RMX1602N20V, RMX2002N20V, RMX2502N20V

Het voorwerp van de hierboven beschreven verklaring is in overeenstemming met de volgende EU-richtlijnen::

1. Richtlijn radioapparatuur (2014/53 / EU)

2. Machinerichtlijn (2006/42 / EG)

3. RoHS-richtlijn (2011/65/EU) en tot wijziging van richtlijn (EU)2015/863

4. Geluidsrichtlijn (bijlage III van 2000/14 / EG, gewijzigd bij 2005/88 / EG)

- Geluidsdruk niveau LpA: 52 dB (A), Geluidsdrukonzekerheden KpA: 3dB (A)

- Aangegeven gegarandeerd geluidsvermogensniveau: 60 dB (A), Geluidsvermogensonzekerheid KWA: 3dB (A)

Conformiteit met deze richtlijnen is voor dit product beoordeeld door naleving van de volgende geharmoniseerde normen en/of technische specificaties aan te tonen:

EN 50636-2-107: 2015+A1:2018+A2: 2020+A3: 2021

EN 60335-1:2012+A11:2014+A13:2017+ A1:2019 + A2:2019+ A14:2019+A15:2021

EN IEC 55014-1:2021

EN IEC 55014-2:2021

EN IEC 61000-3-2:2019+A1:2021

EN 61000-3-3:2013+A1:2019+A2:2021

EN 301 489-1 V2.2.3

EN 301 489-3 V2.3.2

EN 301 489-17 V3.2.4

EN 301 489-19 V2.2.1

EN 301 489-52 V1.2.1

EN 301 511 V12.5.1

EN 301 908-1 V15.2.1

EN 301 908-13 V13.2.1

EN 303 413 V1.2.1

EN 300 220-2 V3.1.1

EN 300 328 V2.2.2

EN 62311:2008

EN IEC 62311:2020

EN 62321-1:2013

EN IEC 62321-2:2021

EN 62321-3-1:2014

EN 62321-8:2017

EN 62321-4:2014 /A1:2017

EN 62321-5:2014

EN 62321-7-1:2015

EN 62321-7-2:2017

EN 62321-6:2015

EN 62321-8:2017

EN ISO 11094:1991

EN ISO 3744:1995

EN ISO 3744:2010

Informatie over RF-blootstelling

Dit apparaat is getest en voldoet aan de geldende limieten voor blootstelling aan radiofrequentie (RF).

Deze apparatuur moet worden geïnstalleerd en gebruikt in overeenstemming met de bijgeleverde instructies en de antenne(s) die voor deze zender worden gebruikt, moeten zodanig worden geïnstalleerd dat een afstand van ten minste 20 cm tot alle personen in acht wordt genomen en mogen niet samen met een andere antenne of zender worden geplaatst of gebruikt.

Ondertekend voor en namens: Zhejiang Sunseeker Industrial Co., Ltd.

Plaats: Jinhua, Zhejiang P.R. CHINA Datum: 09-07-2024

Naam: Harry Ran-titel: Hoofdingenieur

Handtekening: Harry

Oversigt over Indholdet

1. Sikkerhed og forskrifter	124
1.1 Generelt	124
1.2 Generelle sikkerhedsinstruktioner	124
1.3 Sikkerhedsinstruktioner for installation.....	125
1.4 Sikkerhedsinstruktioner for daglig drift.....	126
1.5 Sikkerhedsinstruktioner for vedligeholdelse.....	126
1.6 Batteriets sikkerhed.....	126
2. Symboler og mærkater	126
3. Indhold og specifikationer	127
3.1 Boksens indhold	127
3.2 Dele og funktioner.....	128
4. Installerings	130
4.1 Forberedelser	131
4.2 Installer ladestationen	131
4.3 Installer RTK Base Stationen	131
4.4 Oplad og aktiver plæneklipperen	132
4.5 App-forbindelse.....	133
5. Daglig drift.....	134
5.1 Skærm og kontrol på plæneklipperen	134
5.2 Skift PIN-koden.....	134
5.3 Internet of Things (IoT)	135
5.4 Undgåelse af forhindringer	135
6. Vedligeholdelse	136
6.1 Rengøring.....	136
6.2 Udskiftning af blade.....	137
6.3 Transport.....	138
6.4 Batteri.....	138
6.5 Strømforsyning.....	139
6.6 Opbevaring	139
6.7 Genbrug og bortskaffelse efter endt levetid.....	140
7. Ofte stillede spørgsmål og fejlfinding	141
7.1 Fejlmeddelelse	141
7.2 Fejlfinding	142
8. Vigtige oplysninger.....	143
8.1 Beskyttelse af personoplysninger.....	143
8.2 Begrænset garanti.....	143
8.3 Ansvarsfraskrivelse	143

1. Sikkerhed og forskrifter

1.1 Generelt

VIGTIGT
LÆS OMHYGGELIGT FØR BRUG
OPBEVAR TIL FREMTIDIG REFERENCE

Tiltænkt brug

Dette haveprodukt er kun beregnet til plæneklipping og til automatisk at klippe havens græs på alle tider af døgnet. Enhver brug ud over det tilsigtede formål kan udgøre en risiko og potentielt forårsage skade på personer og/eller ejendom. Det er vigtigt at overholde de angivne retningslinjer nøje for at garantere sikkerheden og forhindre ulykker.

Ikke tiltænkt brug

Dette haveprodukt er ikke beregnet til at blive brugt af børn eller personer med nedsatte fysiske, sensoriske eller mentale evner eller manglende erfaring og viden, medmindre de er blevet overvåget eller instrueret i brugen af produktet af en person, der er ansvarlig for deres sikkerhed.

Forkert brug omfatter, men er ikke begrænset til, at transportere mennesker, børn eller dyr på maskinen; at blive transporteret af maskinen; at bruge maskinen til at trække eller skubbe last; og at bruge maskinen til at klippe vegetation, der ikke er græs.

Resterende risiko- Brug beskyttelseshandsker og beskyttelsesbriller, når du udfører vedligeholdelse eller udskifter knivene i tilfælde af skader.

Forlæng ikke kablet mellem strømforsyningsenheden og ladestationen.



ADVARSEL

- Rør ikke ved farlige bevægelige dele, før de er standset helt.
- Hold strømkablet, strømforsyningsenheden, forlængerledningen og alle andre elektriske kabler, der ikke hører til produktet, uden for skæreeområdet for at holde dem på afstand af farlige bevægelige dele og forhindre skader på kabler, der kan komme i kontakt med strømførende dele. Der er risiko for personskade eller død for operatøren eller omkringstående, hvis instruktionerne i manualen ikke følges.
- Automatisk plæneklipper! Hold dig på afstand af maskinen! Børn skal være under opsyn!
- Gem alle advarsler og instruktioner til senere brug.
- Læs alle sikkerhedsadvarsler, instruktioner, illustrationer og specifikationer, der følger med dette produkt. Hvis ikke alle nedenstående anvisninger følges, kan det medføre elektrisk stød, brand og/eller alvorlig personskade.

1.2 Generelle sikkerhedsinstruktioner

Sikkerhed i arbejdsområdet

A. Brug ikke maskiner i eksplosive atmosfærer, f.eks. i nærheden af brandfarlige væsker, gasser eller støv. Maskiner skaber gnister, som kan antænde støv eller dampe.

B. Læs instruktionerne omhyggeligt. Vær fortrolig med betjeningselementerne og korrekt brug af maskinen.

C. Lad aldrig personer, der ikke kender denne vejledning, eller børn bruge maskinen. Lokale bestemmelser kan begrænse brugerens alder.

D. Operatøren eller brugeren er ansvarlig for ulykker eller farer, der opstår for andre mennesker eller deres ejendom.

Elektrisk sikkerhed

A. Strømskik skal passe til stikkontakten. Ændr aldrig stikket på nogen måde. Brug ikke opladerens stik sammen med jordede enheder. Uændrede stik og matchende stikkontakter reducerer risikoen for elektrisk stød.

B. Undgå kropskontakt med jordede overflader, f.eks. rør, radiatorer, komfurer og køleskabe. Der er en øget risiko for elektrisk stød, hvis din krop er jordet.

C. Misbrug ikke strømkabler. Brug aldrig netledningen til at bære, trække eller trække stikket ud af en enhed. Hold netledningerne væk fra varme, olie, skarpe kanter eller bevægelige dele. Beskadede eller sammenfildrede netledninger øger risikoen for elektrisk stød.

D. Hvis det er uundgåeligt at bruge en netdrevet enhed på et fugtigt sted, skal du bruge en fejlstrømsafbryder (RCD). Brugen af en fejlstrøms afbryder reducerer risikoen for elektrisk stød.

E. Sørg for korrekt installation af det automatiske perimeter afgrænsningssystem som anvist.

F. Undersøg jævnligt området, hvor maskinen skal bruges, og fjern alle sten, pinde, ledninger, knogler og andre forhindringer.

G. Kontrollér regelmæssigt knivene, kniv boltene og kniv enheden for slitage eller skader Udskift slidte eller beskadede knive og bolte i sæt for at bevare balancen.

H. På flerspindede maskiner skal du være forsigtig, da rotation af en klinge kan få andre klinger til at rotere.

Personlig sikkerhed

A. Lad ikke personer, der ikke er fortrolige med maskinen eller denne vejledning, betjene maskinen. Maskiner er farlige i hænderne på utrænede brugere.

B. Vær opmærksom, hold øje med, hvad du laver, og brug din sunde fornuft, når du betjener maskinen. Brug ikke maskinen, hvis du er træt eller påvirket af stoffer, alkohol eller medicin. Et øjeblik uopmærksomhed under betjening af maskinen kan resultere i 1094 alvorlig personskade.

C. Fjern enhver justeringsnøgle eller skruenøgle, før du bruger maskinen. En skruenøgle eller en nøgle, der sidder fast på en roterende del af maskinen, kan medføre personskade.

D. Når du styrer maskinen manuelt, skal du altid have et godt fodfæste og en god balance. Det giver bedre kontrol over maskinen i uventede situationer.

E. Lad ikke fortrolighed med hyppig brug af maskiner få dig til at blive selvtilfreds og ignorere maskinens sikkerhedsprincipper. En uforsigtig handling kan forårsage 1101 alvorlig skade i løbet af en brøkdæl af et sekund.

Brug og pleje af maskinen

A. Tag stikket ud af stikkontakten og/eller fjern batteriet (hvis det er aftageligt) fra maskinen eller andre enheder, før du foretager justeringer, skifter tilbehør eller opbevarer det. Sådanne forebyggende sikkerhedsforanstaltninger reducerer risikoen for utilsigtet start.

B. Vedligehold maskiner og tilbehør. Undersøg, om de bevægelige dele er forkert justeret eller sidder fast, om der er brud på dele, og om der er andre forhold, der kan påvirke maskinens funktion. Hvis maskinen er beskadiget, skal den repareres før brug. Mange ulykker skyldes dårligt vedligeholdte maskiner og tilbehør.

C. Brug maskinen og tilbehøret i overensstemmelse med disse instruktioner under hensyntagen til arbejdsforholdene og det arbejde, der skal udføres. Brug af maskinen til andre formål end de tilsigtede kan resultere i en farlig situation.

D. Brug aldrig maskinen med defekte afskærmninger eller uden sikkerhedsanordninger.

E. Sæt ikke hænder eller fødder i nærheden af eller under roterende dele. Hold altid afstand til udløbsåbningen.

F. Saml aldrig en maskine op eller bær den, mens motoren kører.

G. Aktiver enhedslås/indstil til "LOCK" på maskinen
- før man fjerner en blokering;
- før du kontrollerer, rengør eller arbejder på maskinen.

H. Lad ikke maskinen køre uden opsyn, hvis du ved, at der er kæledyr, børn eller mennesker i nærheden.

Vedligeholdelse

A. Få din maskine serviceret af en kvalificeret reparatør, der kun bruger identiske reservedele. Det vil sikre, at maskinens sikkerhed opretholdes.

B. Hold alle møtrikker, bolte og skruer spændt for at sikre, at maskinen er i sikker stand.

C. Tjek græsopsamlere hyppigt for slid eller forringelse.

D. Udskift slidte eller beskadigede dele af hensyn til sikkerheden.

E. Sørg for, at de rigtige knive udskiftes.

F. Sørg for, at batterierne oplades med den korrekte oplader, som anbefales af producenten. Forkert brug kan resultere i elektrisk stød, overophedning eller udsivning af ætsende væske fra batteriet.

G. I tilfælde af lækage af elektrolyt skylles med vand/neutraliserende middel, søg lægehjælp, hvis det kommer i kontakt med øjnene osv.

H. Servicering af maskinen skal ske i henhold til producentens anvisninger.

Brug og pleje af BATTERIVÆRKTØJ

A. Oplad kun med den oplader, der er angivet af producenten. En oplader, der er egnet til én type batteripakke, kan udgøre en brandrisiko, når den bruges sammen med en anden BATTERI-pakke.

B. Brug kun el-værktøj med særligt beregnede BATTERI-pakker. Brug af andre BATTERI-pakker kan medføre risiko for personskade og brand.

C. Når BATTERI-pakken ikke er i brug, skal den holdes væk fra andre metalgenstande som papirclips, mønter, nøgler, søm, skruer eller andre små metalgenstande, der kan skabe forbindelse fra en terminal til en anden. Kortslutning af BATTERI-terminalerne kan forårsage forbrændinger eller brand.

D. Under voldsomme forhold kan der komme væske ud af BATTERIET; undgå kontakt. Hvis der ved et uheld opstår kontakt, skal der skylles med vand. Søg desuden lægehjælp, hvis væsken kommer i kontakt med øjnene. Væske, der slynges ud af BATTERIET, kan forårsage irritation eller forbrændinger.

E. Brug ikke en BATTERI-pakke eller et værktøj, der er beskadiget eller ændret. Beskadigede eller modificerede batterier kan opføre sig uforudsigeligt, hvilket kan medføre brand, UDBRUD eller risiko for personskade.

F. Udsæt ikke BATTERI-pakken eller værktøjet for ild eller for høje temperaturer. Udsættelse for ild eller temperaturer over 130 °C kan forårsage eksplosion.

G. Følg alle opladnings instruktioner, og oplad ikke BATTERI-pakken eller værktøjet uden for det temperaturområde, der er angivet i instruktionerne. Ukorrekt opladning eller ved temperaturer uden for det angivne område kan beskadige BATTERIET og øge risikoen for brand.

1.3 Sikkerhedsinstruktioner for installation

A. Installer ikke opladningsstationen, inklusive tilbehør, på et sted, der er under eller inden for 24 tommer fra brændbart materiale. I tilfælde af funktionsfejl kan der opstå opvarmning af ladestationen og strømforsyningen, hvilket kan medføre en potentiel brandfare.

B. Placer ikke strømforsyningen i en højde, hvor der er risiko for, at den kan komme i vand. Stil ikke strømforsyningen på jorden.

C. Indkapsel ikke strømforsyningen. Kondenseret vand kan skade strømforsyningen og øge risikoen for elektrisk stød.

D. Gælder for USA/Canada. Hvis strømforsyningen er installeret udendørs: Risiko for elektrisk stød. Må kun installeres i en overdækket klasse A GFCI-stikdåse (RCD) med et vejrbestandigt kabinet og adgang til at indsætte eller fjerne stikdækslet.

E. Installer ikke ladestationen, hvor der er risiko for stående vand.

1.4 Sikkerhedsinstruktioner for daglig drift

- A.** Hold hænder og fødder væk fra de roterende knive. Hold ikke hænder eller fødder i nærheden af eller under produktet, når det er indstillet til ON.
- B.** Brug parkeringsfunktionen, eller sæt produktet på OFF, når der er personer, især børn eller dyr, i arbejdsområdet.
- C.** Sørg for, at der ikke ligger genstande som sten, grene, værktøj eller legetøj på plænen. Knivene kan blive beskadiget, hvis de rammer en genstand.
- D.** Løft ikke produktet, og flyt det ikke, når det er indstillet på TIL.
- E.** Lad ikke produktet kollideres med personer eller dyr. Hvis en person eller et dyr kommer i vejen for produktet, skal du straks stoppe produktet.
- F.** Læg ikke genstande oven på produktet eller ladestationen.
- G.** Brug ikke produktet, hvis STOP-knappen ikke virker.
- H.** Sæt altid produktet på OFF, når det ikke er i brug.
- I.** Brug ikke produktet og en pop-up-sprinkler på samme tid. Brug Schedule-funktionen på samme tid.
- J.** Lad ikke produktet arbejde, når der er stående vand i arbejdsområdet, f.eks. et område med vandpytter dannet af kraftig regn.

1.5 Sikkerhedsinstruktioner for vedligeholdelse

- A.** Sæt produktet på OFF, når du udfører vedligeholdelse på produktet.
- B.** Brug ikke en højtryksrensers til at rengøre produktet. Brug ikke opløsningsmidler til at rengøre produktet.
- C.** Tag stikket ud af ladestationen, før du rengør eller udfører vedligeholdelse på ladestationen.

1.6 Batteriets sikkerhed

Litium-ion-batterier kan eksplodere eller forårsage brand, hvis de skilles ad, kortsluttes eller udsættes for vand, ild eller høje temperaturer. Håndter det forsigtigt, og skil ikke batteriet ad eller åbn det, og brug ikke nogen form for elektrisk/mekanisk misbrug. Undgå opbevaring i direkte sollys.

2. Symboler og mærkater





Disse symboler findes på produktet. Læs dem venligst omhyggeligt.

	ADVARSEL: Læs brugervejledningen, før du tager produktet i brug.
	ADVARSEL: Sluk for produktet, før du arbejder på eller løfter maskinen. Rør aldrig ved den roterende klinge.
	ADVARSEL: Hold sikker afstand til maskinen, når den betjenes. Hold andre personer væk fra fareområdet.
	ADVARSEL: Kør ikke på maskinen.
	Brug en aftagelig strømforsyning som defineret på mærkepladen ved siden af symbolet.
	CE-mærke for overensstemmelse.
	Lydeffektniveau, bestemt af det europæiske direktiv om udendørs støj. Produktets emissioner er beskrevet i Tekniske data på side 6 og på typeskiltet.
	Dette produkt må ikke fjernes som almindeligt husholdningsaffald. Sørg for, at produktet genbruges i overensstemmelse med lokale lovkraft.
	Klasse III
	DC









Symboler på batteripakken

	Læs brugervejledningen.
	Smid ikke batteriet ind i ild, og udsæt ikke batteriet for en varmekilde.
	Sænk ikke batteriet ned i vand.
	Genanvendeligt mærke.
	Det er ikke tilladt at smide denne batteripakke ud som almindeligt husholdningsaffald. Sørg for, at batteripakken genbruges i overensstemmelse med lokale lovkraft.

Symboler på opladeren

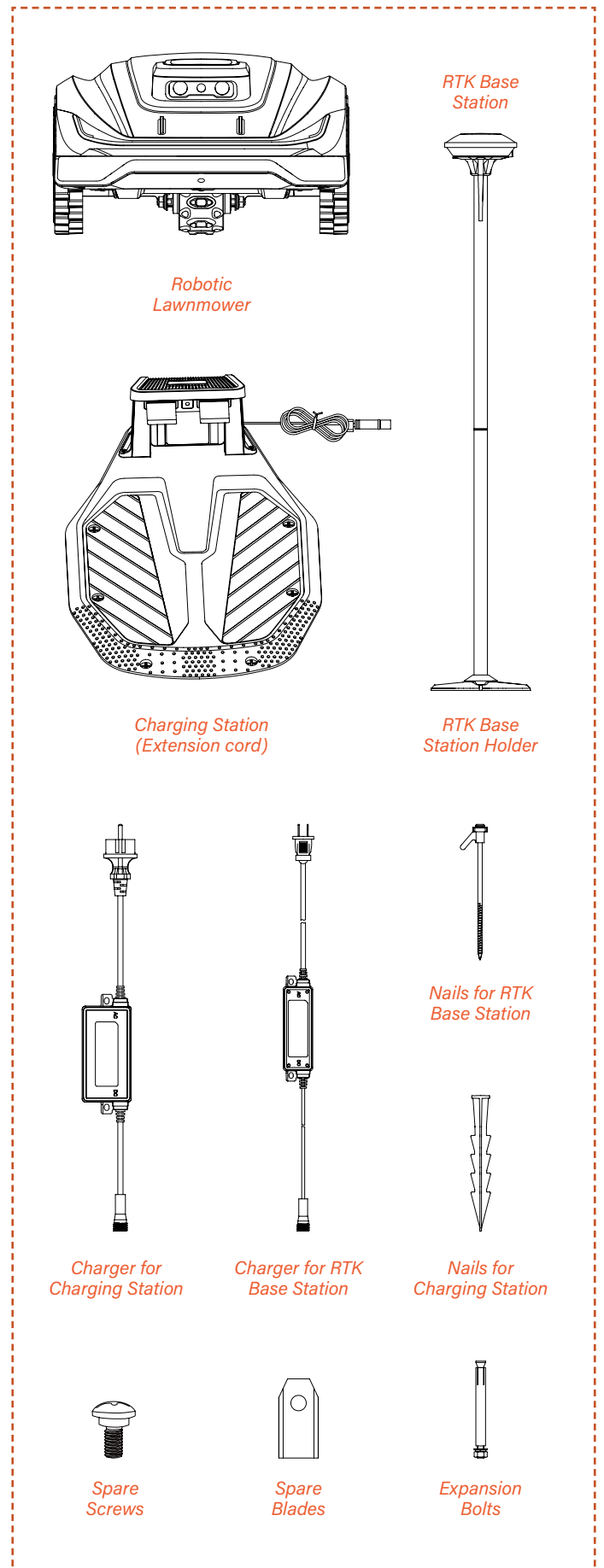
	Læs brugervejledningen.
T3.15A 	Udskift med en sikring i overensstemmelse med mærkningen.
T2A 	Udskift med en sikring i overensstemmelse med mærkningen.
	Klasse II-konstruktion.
 	Må ikke bortskaffes som usorteret affald, men skal sendes til separate indsamlingsanlæg til nyttiggørelse og genanvendelse i overensstemmelse med lokale lovkrav.

Symboler på robottens skærm

	Tænd/sluk
	Start-knap
	Hjem-knap
	Ok-knap
	Indstilling af PIN-kode
	Tidsindstilling
	Bluetooth
	Wi-Fi

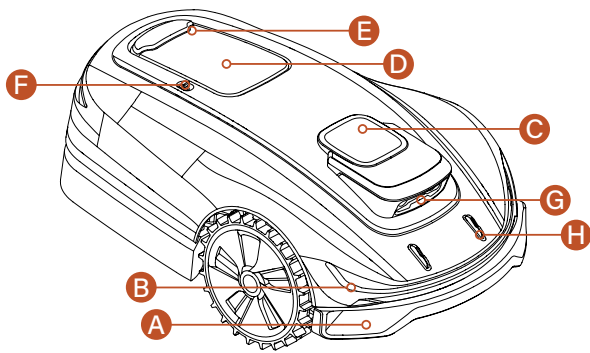
3. Indhold og specifikationer

3.1 Boksens indhold

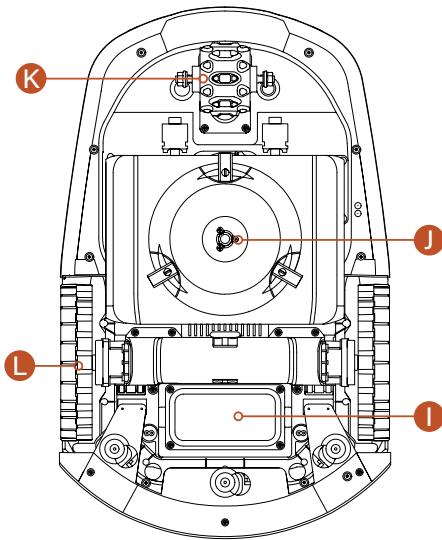


3.2 Dele og funktioner

Topvisning



Nederst visning



H - Opladnings elektroder - Opladnings elektroderne på maskinen forbindes med elektroderne på ladestationen for at oplade maskinens batteri.

I - Batterirum - Rummet til opbevaring af batteriet.

J - Roterende klippeplade - Anordning til trimning af plænen, når maskinen er i drift.

K - Hjulnavmotor - En fremragende styrekontrolanordning og strømforsyning til drift.

L - Drivhjul - Kraftoverførsel til bevægelse med fremragende terrængående egenskaber.

BEMÆRK

Nedsænk ikke maskinen i vand, da det kan beskadige komponenterne og gøre garantien ugyldig inden for den angivne periode.

A - Kollisions kofanger - Når visuel positionering ikke er mulig, kan kollisions kofangeren sikre maskinens normale drift.

B - LED-lys - LED-lys på plæneklipperen angiver maskinens driftsstatus.

C - RTK-positionerings antenne - Interaktiv positionerings enhed til RTK-basestationen, maskinen og satellitterne.

D - Kontrolpanel - Panelet til at tænde og slukke for maskinens strøm, til at beordre maskinen til at arbejde eller vende tilbage osv.

E - STOP-knap - Nødstop knap til at stoppe maskinen i tilfælde af en akut situation.

F - Regnsensor - Regnsensoren kan registrere regn, og maskinen kan automatisk vende tilbage til ladestationen for at undgå regn i henhold til brugerens indstilling.

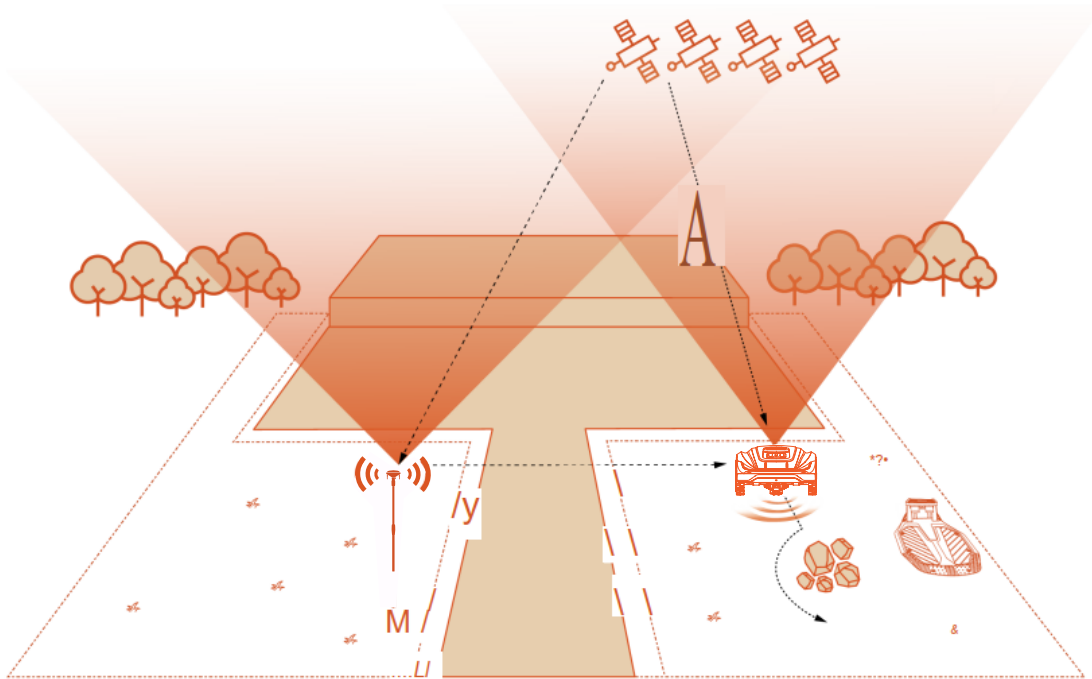
G - Kikkert kamera - Det AI-assisterede kikkert kamera hjælper plæneklipperen med at opdage og undgå forhindringer.

3.3 Specifikationer

TEKNISK SPECIFIKATION	X5-2000 RMX2000L20V
Afgrænsningskabel	Trådløs/grænsefri
Maks. klippeområde	2000m ²
Skærehøjde min/max	20-60mm
Justering af højde	Manual
Skærebredde	22cm
Batteriets kapacitet	5 Ah
Brugergrænseflade	APP- og tastaturdisplay
Maksimal hældning	30° (60%)
Robottens dimensioner	680*420*275 cm
Certifikater	CE RoHS
Nettovægt	11.8 kg
Lydeffektniveau LWA	60dB (A)
Usikkerheder i lydeffekt KWA	3dB(A)
Lydtryks niveau LpA	52dB (A)
Usikkerheder i lydeffekt KpA	3dB(A)
FUNKTIONER	
Wifi / Bluetooth	▪
Intelligent kortlægning	▪
Planlægning af sti	3 muligheder
VSLAM	▪
Super Wifi	▪
FOTA	▪
Hurtig tilbagevenden til ladestationen	▪
AWD (firehjulstræk) hjul	3 hjul
Havekort på APP	▪
Flere zoner	Op til 8
Arbejdsplan (indstillet i APP)	Automatisk eller manuel indstilling via APP
Bump-sensor	▪
Vandvask	▪
Tyverisikring: med GPS + 4G*	○
Google-assistent & Amazon Alexa	▪
PIN-kode	▪
Løft og vip-sensor	▪
Regnsensor	▪
Øko-tilstand	▪
LED forlygter	▪
TILBEHØR	
Søm til montering af bund	8 stk.
Oplader	3 A (CGF253)
Strømforsyning	1.1 A (CGF251)/2 A (CGF152)

4. Installering

RTK-satellit positionerings teknologi med fuld frekvens hjælper plæneklipperen med at få meget præcise placeringsoplysninger. Sammen med VSLAM-teknologi og Sunseeker AIR (Artificial Intelligence Recognition) kan robotten udføre positionerings- og navigationsopgaver i forskellige scenarier, herunder komplekse miljøer, hvilket sikrer vedligeholdelse af græsplænen i høj kvalitet. Sunseekers avancerede hardware og software (intelligente algoritmer) forbedrer plæneklipperens miljøgenkendelse, positionerings nøjagtighed og generelle ydeevne betydeligt. I lighed med den menneskelige hjerne behandler Sunseekers avancerede algoritmer information fra RTK (Real-Time Kinematic), VSLAM (Visual Simultaneous Localization and Mapping), IMU (Inertial Measurement Unit) og odometre for at optimere miljøgenkendelse under forskellige forhold. Sunseeker RTK-teknologi, som modtager fuldfrekvente satellitsignaler og udfører positionering i realtid, gør det muligt for brugerne at indstille virtuelle grænser for deres plæneklippere, hvilket eliminerer behovet for traditionelle afgrænsningskabler. Inden for disse virtuelle grænser kan plæneklipperen planlægge sine klippestier med stor præcision og effektivitet og opnå optimal dækning.

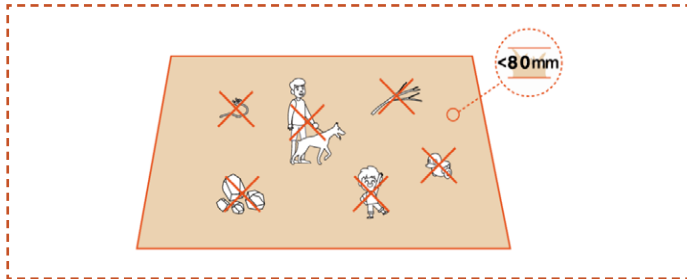


4,1 Forberedelser

Gør græsplænen klar

- A. Fjern affald, bunker af blade, legetøj, ledninger, sten eller andre forhindringer.
- B. Af hensyn til sikkerheden bedes du sørge for, at børn og kæledyr ikke er på plænen.
- C. Klip venligst plænen til en højde på højst 80 mm, før du bruger robotplæneklipperen.
- D. Den samlede plænestørrelse varierer fra 2000 m².

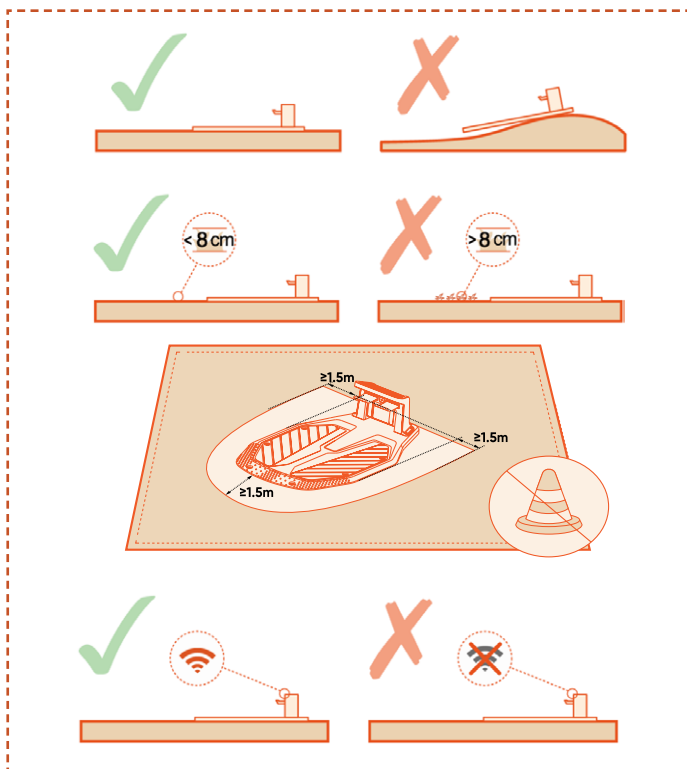
Anbefalede plænetyper er vist på billederne nedenfor:



4.2 Installer ladestationen

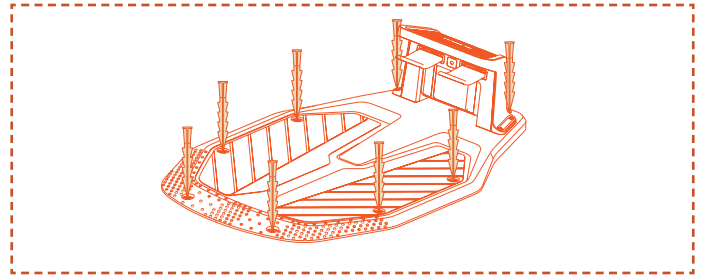
Find en passende placering

Sørg for, at plæneklipperen kan komme ud af og tilbage til ladestationen, og installer ladestationen på et åbent, fladt område, der er dækket af husstandens WIFI. Der må ikke være forhindringer inden for 1,5 m foran ladestationen. Hvis der er græs, skal det være lavere end 8 cm.

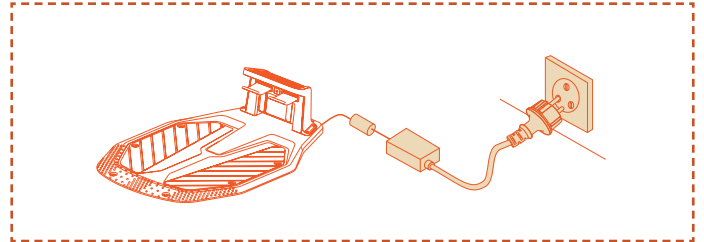


Installation af ladestationen

A. Spik ladestationen fast på et ikke-hærdet og fladt underlag.



B. Tilslut netledningen til strømforsyningen. Hvis der er stor afstand mellem ladestationen og strømforsyningen, skal du sørge for, at netledningen er forsvarligt fastgjort til jorden og væggen for at sikre en sikker drift.

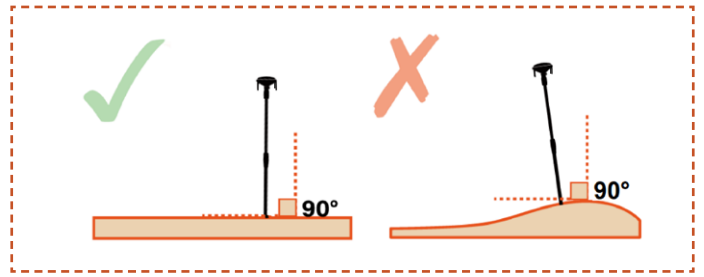


C. Hvis det ikke er muligt at opnå fuld åbenhed til alle sider, så hold i det mindste den sydlige himmel fri, når du er på den nordlige halvkugle, eller den nordlige himmel, når du er på den sydlige halvkugle. Prøv at holde øst- og vestsiden fri for forhindringer.

4.3 Installer RTK Base Stationen

Find en passende placering

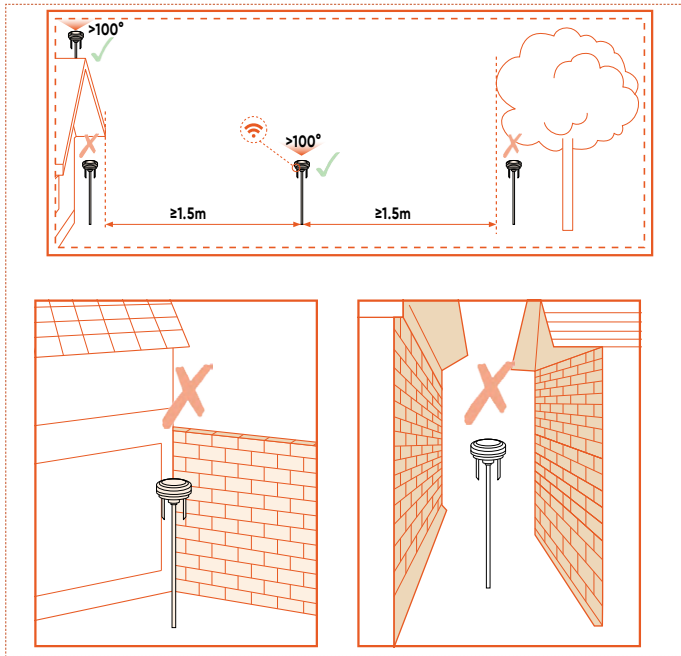
A. Placer RTK-base stationen opretstående. Undgå at installere RTK-base stationen på en skråning.



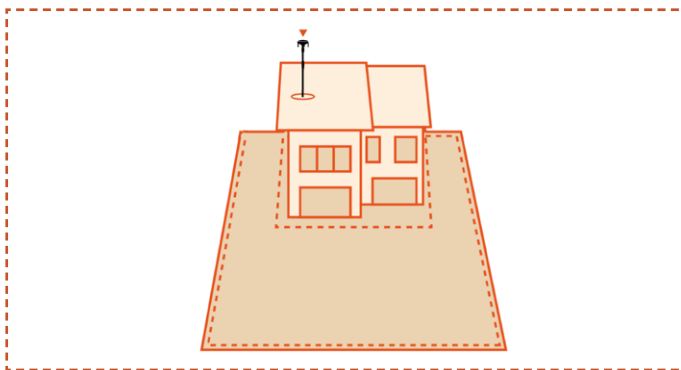
B. Stedet skal være dækket af husstandens Wi-Fi.

C. For at sikre en god modtagelse af satellitsignaler skal stationen installeres på et åbent og fladt sted, hvor intet blokerer for signalet, og hvor den har en mindst 100° klar signalmodtagelsesvinkel med uhindret himmel.

D. Afstanden mellem RTK-base stationen og væggen eller træerne skal være større end 1,5 m.



E. Hvis du har separate græsplæner, eller hvis din græsplæne er formet som bogstavet »O« eller »U«, anbefaler vi, at du installerer RTK-base stationen på taget eller væggen.



F. Hvis det ikke er muligt at opnå fuld åbenhed til alle sider, så hold i det mindste den sydlige himmel fri, når du er på den nordlige halvkugle, eller den nordlige himmel, når du er på den sydlige halvkugle. Prøv at holde øst- og vestsiden fri for forhindringer.

Installer RTK-base stationen

- Brug søm til at installere RTK-basestationen på et sted med en tilgængelig strømkilde.
- Tilslut forlænger kablet og opladeren til RTK-base stationen
- Sæt RTK-base stationen til strømkilden.

Tjek satellit-signalet



Indikator lampe for placering

- Massiv grøn: Godt satellitsignal på dette sted.
- Massiv orange: Svagt satellitsignal på dette sted; det anbefales at geninstallere basestationen i et område med bedre signal, fri for forhindringer.
- Massiv rød: Meget svagt satellitsignal på dette sted; du skal geninstallere basestationen i et område med et bedre signal, fri for forhindringer

Wi-Fi-indikator lys

- Massiv grøn: Wi-Fi-forbindelse og serveradgang etableret
- Bliker grøn: Wi-Fi forbinder eller er ikke forbundet til serveren
- Intet grønt lys: Wi-Fi ikke tilsluttet

Super Wi-Fi-indikator lys

- Massiv grøn: Normal kommunikation
- Bliker grøn: Parring i gang
- Intet grønt lys: Kommunikation abnormitet

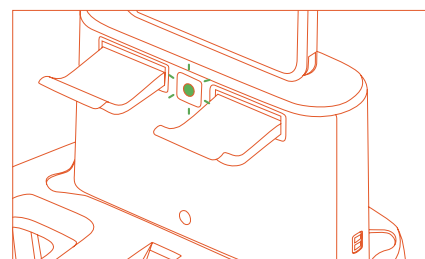
Indikatorlys for strøm

- Massiv grøn: Unormal strømtilførsel
- Bliker grøn: Normal strøm
- Intet grønt lys: Normal strøm

4.4 Oplad og aktiver plæneklipperen

Oplad plæneklipperen

Skub plæneklipperen ind i ladestationen, og sørg for, at ladeelektroderne forbindes korrekt. Det grønne lys på ladestationen blinker og indikerer normal opladning.

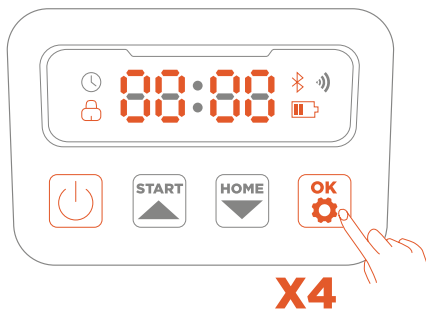


Aktivér plæneklipperen

A. Tryk længe på tænd/sluk-knappen, og indtast adgangskoden. Standard-PIN-koden er "0000". Tryk på OK, hver gang du indtaster 0, for at afslutte indstillingsprocessen.

B. Når du indtaster adgangskoden, kan du bruge START-knappen som plus-tast (+) og HOME-knappen som minus-tast (-).

C. Hvis du vil ændre adgangskoden, skal du trykke længe på start- og hjemknappen på samme tid for at ændre adgangskoden.



Bemærk

Hvis indikator-lampen forbliver slukket, selv om der er korrekt strømforsyning, bedes du kontakte kundesupport.

! Forsigtig

- Tab ikke opladere på jorden inden for de virtuelle grænser.
- Hvis ladestationen er installeret inden for de virtuelle grænser, skal du fastgøre forlængerledningen til jorden for at sikre, at plæneklipperen fungerer korrekt.

! ADVARSEL

- Oplad IKKE, hvis maskinen, opladeren, ladestationen eller stikkontakten er beskadiget.
- Oplad IKKE plæneklipperen, når temperaturen er over 40 °C (104 °F) eller under 5 °C (41 °F). Opladning vil ikke finde sted, hvis temperaturgrænserne overskrides.
- Stop straks opladningen, hvis der opstår en unormal lugt, lyd eller lys.
- Undgå opladning i nærheden af brændbare eller eksplosive materialer.

4.5 App-forbindelse

BEMÆRK

- Undgå opladning i nærheden af brændbare eller eksplosive materialer. De tilgængelige muligheder kan variere afhængigt af softwareversionen.

Sådan bruger du Sunseeker-appen

- Sørg for, at maskinen står på ladestationen og oplader korrekt.
- Scan QR-koden for at downloade Robotic Mower-appen, eller søg efter "Robotic Mower" i Google Play Store (Android) eller Apple App Store (iOS) for at færdiggøre opsætningen.



iOS



Android



C. Opret en ny konto, og log ind. Tænd for telefonens Bluetooth og Wi-Fi. Scan maskinens SN QR-kode for at tilføje din robotplæneklipper. Efter vellykket paring skal du indtaste maskinens standardadgangskode 0000. Adgangskoder kan ændres på telefonen.

D. Konfigurer dit Wi-Fi til maskinen i appen. Maskinen skal være tilsluttet samme Wi-Fi som din mobiltelefon. Indtast navn og adgangskode til dit hjemme-wi-fi.

E. Opret forbindelse til Wi-Fi. Når forbindelsen er oprettet. Når forbindelsen er oprettet, vil Wi-Fi-ikonet på robotten og APP'en lyse op.

F. Giv din robot et navn.

BEMÆRK

Når det er nødvendigt, vil appen anmode om adgang til Bluetooth- og Wi-Fi-netværk for at sikre korrekt opsætning og fremtidig funktionalitet og give adgang til disse funktioner.

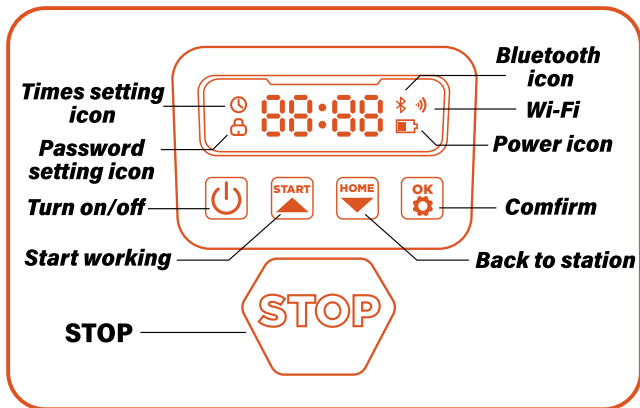
Brug robotplæneklipper-appen til

- Bind og aktiver plæneklipperen.
- Lav et kort (arbejdsområde).
- Overvåg plæneklipperens status og arbejdsforløb, og fjernstyr dens drift, f.eks. start, stop eller tilbagevenden til ladestationen.
- Se og ændre plæneklipperens arbejdsindstillinger (klippeplan, klippehøjde, kortstyring).
- Se og ændre plæneklipperens sikkerheds- og funktionsindstillinger (PIN, knivstop osv.).
- Se eller opdater enhedens firmware version, se status for netværkslink.
- Løsne, ændre eller tilføj enheder.
- Få oplysninger om hjælp og eftersalgssupport.

5. Daglig drift

5.1 Skærm og kontrol på plæneklipperen

Skærm



Strøm-ikon: Ikonet for batteristrøm viser maskinens resterende strøm. Dette ikon med 1 bjælke viser, at effekten er 30 % eller derunder, 2 bjælker viser, at den resterende effekt er mellem 31-66 %, og 3 bjælker viser, at effekten er 67 % eller derover.

Wi-Fi-ikon: Wi-Fi-ikonet viser, om maskinen har oprettet forbindelse til Wi-Fi eller ej.

Bluetooth-ikon: Bluetooth-ikonet viser, om maskinen har forbindelse til Bluetooth eller ej.

Ikon for tidsindstilling: Tidsindstillingsikonet angiver, at maskinen er gået i tidsindstillingstilstand.

Ikon for adgangskodeindstilling: Når låseikonet lyser, betyder det, at du skal indtaste adgangskoden eller ændre maskinens adgangskode.

Dashboard-display: Instrumentbrættets display viser de forskellige tilstande, som maskinen befinder sig i:

. **inaktiv:** Maskinen er i standby-tilstand, og der er ingen opgaver i gang på dette tidspunkt.

. **Kørende lys:** Maskinen er i arbejdstilstand. På dette tidspunkt roterer disken med høj hastighed. Hold dig venligst væk fra den.

. **----**: Når regn-forsinkelsen er slået til, registrerer maskinen, at det regner på dette tidspunkt, afslutter det aktuelle arbejde og vender tilbage til ladestationen.

. **stop:** Der blev trykket på nødstop-knappen på maskinen.

Basis-kontrol

Tænd for den: Tryk og hold tænd/sluk-knappen nede i 2 sek.

Sluk: Tryk og hold tænd/sluk-knappen nede i 3 sek.

Plæneklipperen kan ikke slukkes, når den er i ladestationen, og når plæneklipperen slukkes, vises ordet »bye« på instrumentbrættet, hvorefter skærmen slukkes.

Begynd at arbejde/tænd: Tryk på START-knappen og derefter på OK.

Tilbage til stationen/Sluk: Tryk på HOME-knappen og derefter på OK.

Stop plæneklipperens drift: Tryk på STOP.

Genstart plæneklipperen: Hold tænd/sluk-knappen nede i 10 sekunder for at slukke for maskinen, og tænd den derefter igen, eller skub maskinen direkte ind i ladestationen, og tilslut den til ladestationens elektroder.

5.2 Skift PIN-koden

Hvis plæneklipperen er i låsestatus, skal du indtaste PIN-koden, før du betjener plæneklipperen manuelt. Standardkoden kan ændres via Robotic Mower-appen.

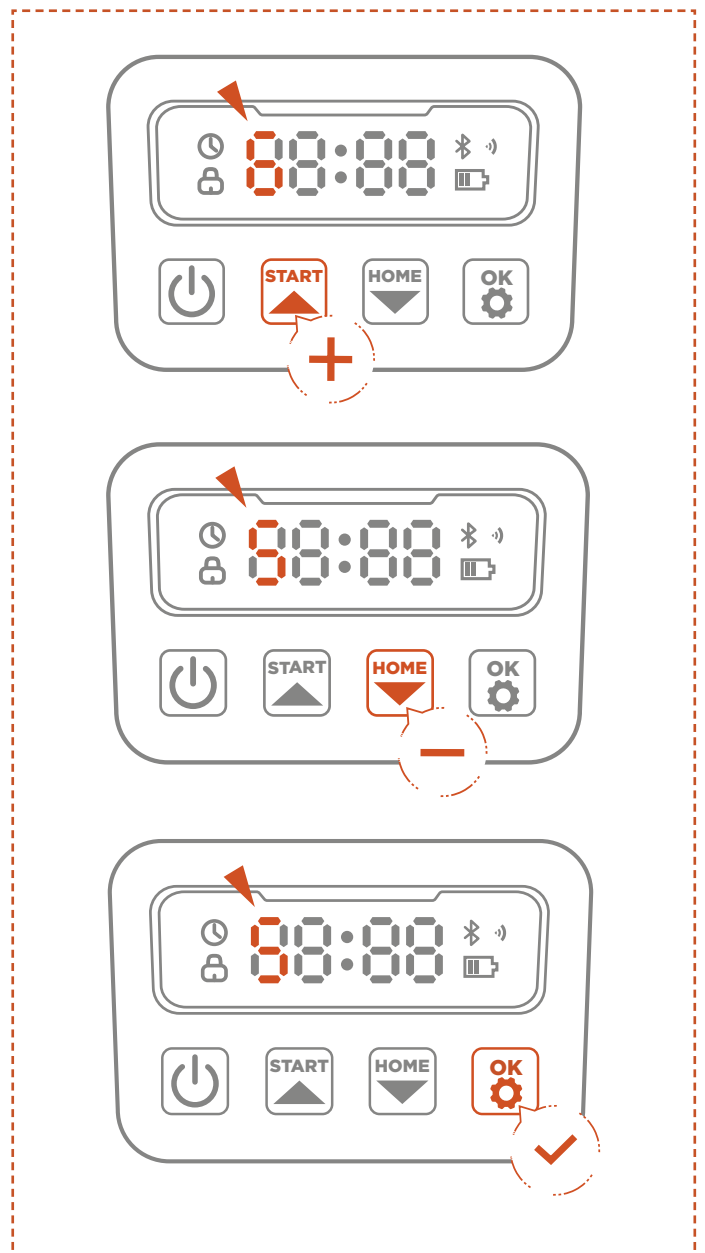
A. Tryk længe på knapperne START og HOME i 3 sekunder.

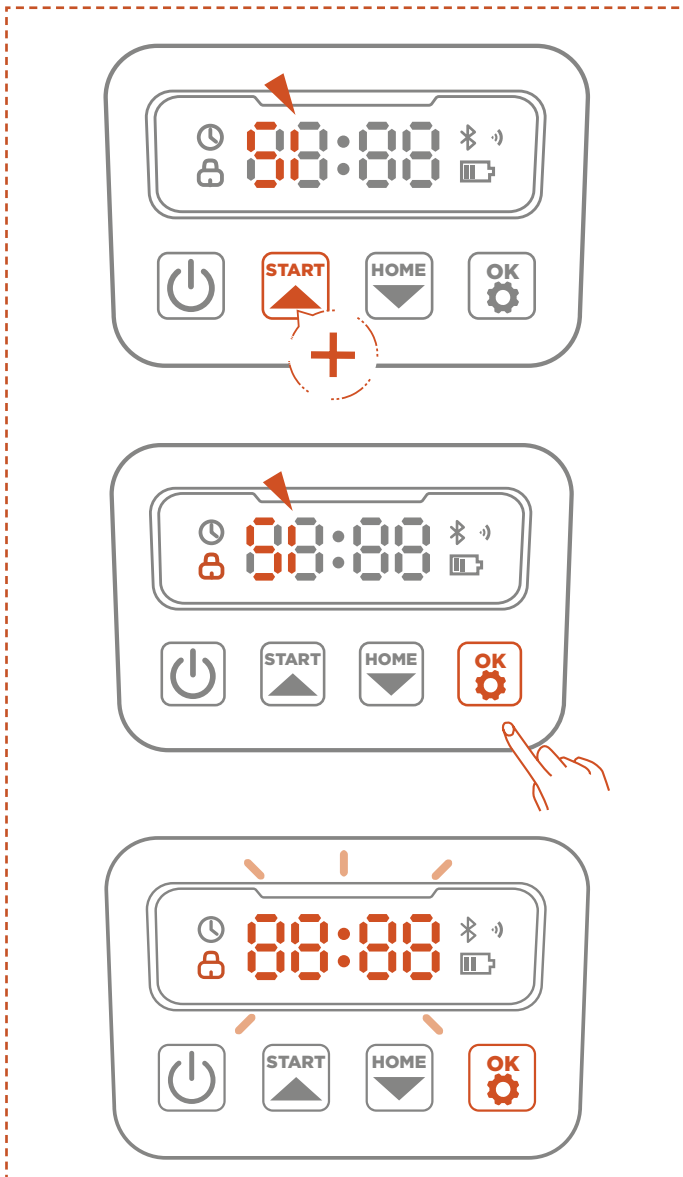
B. Når PIN1 vises, og når »0---« vises, skal du indtaste den gamle adgangskode.

C. Når PIN2 vises, og efter at »0---« vises, skal du indtaste den nye adgangskode. Tryk på OK for at bekræfte.

Bemærk

Hvis pinkoden indtastes forkert, vil displayet vise "ERR".





5.3 Internet of Things (IoT)

Platform X er en IoT-enhed (Internet of Things). Forbind plæneklipperen til internettet via mobilnetværk eller dit Wi-Fi-netværk, så du kan bruge følgende funktioner:

A. Firmware opdateringer Over-The-Air (OTA), hold din plæneklipper opdateret til de nyeste funktioner.

B. Aktiver fjernbetjening via netværket:

Start klipning, stop klipning, vend tilbage til ladestationen, indstil klippeplan, indstil klippehøjde og andre funktioner.

C. Overvåg klippeforløbet og plæneklipperens placering på afstand

D. Rapportér fejlkoder og plæneklipperens status via netværket.

Wi-Fi

Platform X bruger Wi-Fi til at oprette forbindelse til et netværk. Se Wi-Fi-indstilling for at få flere oplysninger.

BEMÆRK

- Platform X understøtter kun 2,4 GHz Wi-Fi-netværk.
- Hvis du bruger en iOS-enhed, kan plæneklipperen kun oprette forbindelse til det Wi-Fi, som din mobilenhed har forbindelse til. Følg venligst instruktionerne i appen. Tilslut først din mobilenhed til Wi-Fi, og tilslut derefter plæneklipperen til det samme Wi-Fi. Der er ingen sådanne krav til Android-enheder.

Firmware-opdateringer

Vi vil fortsætte med at opdatere plæneklipperens firmware. Hvis der er en ny version af firmware, vil du modtage en pop-up notifikation i appen. Det anbefales, at du opdaterer, så snart den seneste firmware er tilgængelig.

Ved opdatering af firmware skal nedenstående betingelser være opfyldt:

- Maskinen er på ladestationen.
- Netværket er tilsluttet.
- Batteristrømmen er mere end 30 %.
- Der er ingen klippeplan om en time.

Under opdateringen vil det omgivende lys på plæneklipperen blinke blåt. Du kan se opdatering forløbet på din app. Når opdateringen er fuldført, bliver plæneklipperens omgivende lys grønt.

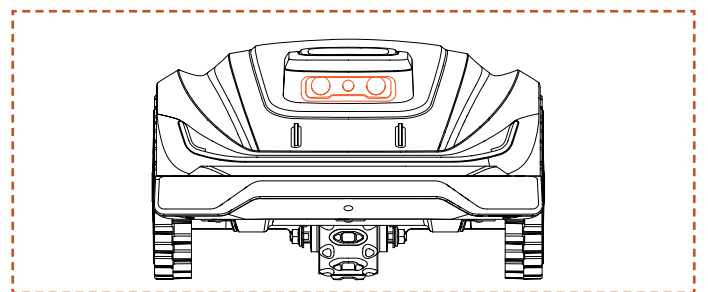
⚠ ADVARSEL

- Flyt IKKE plæneklipperen under opdaterings processen.

5.4 Undgåelse af forhindringer

Binokulært kamera

Binokulært kamera er en del af standardudstyret i Platform X. De er designet til visuel grænsedetektering, forudgående undgåelse af forhindringer og visuel genkendelse af QR-koder under opladningsprocessen, hvilket gør plæneklipperen mere intelligent.



BEMÆRK

- Arbejde i mørke omgivelser kan påvirke maskinens evne til at genkende forhindringer præcist og hurtigt for at undgå dem. Det anbefales, at man ikke bruger maskinen om natten.

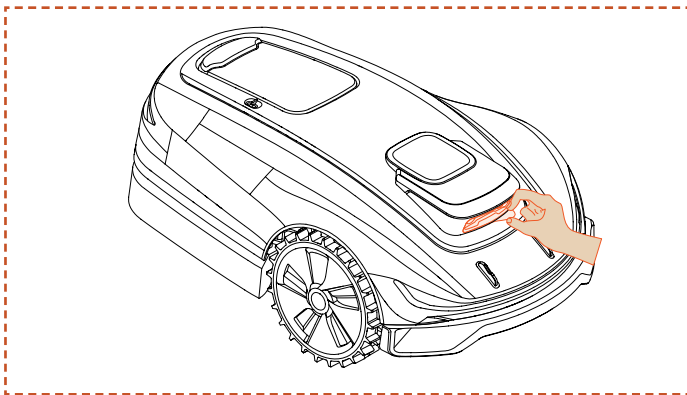
- Hvis der er for mange forhindringer på din græsplæne, så overvej at oprette no-go-zoner omkring dem eller fjerne nogle af forhindringerne for at forbedre maskinens effektivitet.

Anerkendelse af kunstig intelligens

Sunseeker AIR (Artificial Intelligence Recognition) omdefinerer sikkerhed og sikkerhed med proprietære kamerabaserede VSLAM og Sunseeker AIR, der tilbyder et bredere synsfelt (FOV) til at detektere forhindringer, forudse deres tilstedeværelse og ekspertise ændre plæneklipperens vej for at undgå dem. Funktionen til at undgå forhindringer er designet til at øge plæneklipperens ydeevne og forbedre din sikkerhed.

Kofanger-sensor

Sensorer er installeret inde i Platform X for at registrere forhindringer. Når kofangeren støder ind i en forhindring og udløser sensoren, vil plæneklipperen køre baglæns og undgå forhindringen.



BEMÆRK

- Din Platform X er i stand til at undgå genstande efter at være stødt ind i dem. Det anbefales dog at fjerne overskydende rod, før du klipper.

6. Vedligeholdelse

- A. Oplev overlegne klipperesultater, og forlæng din plæneklippers levetid med Maintenance.
 - B. Regelmæssig inspektion og vedligeholdelse af en voksen hver uge er afgørende for at sikre maskinens optimale ydeevne.
 - C. Sørg for dit velbefindende ved at overholde sikkerhedsretningslinjerne: Undlad at udføre vedligeholdelse, mens du har åbne sandaler på eller er barfodet.
 - D. Man skal altid prioritere sikkerheden ved at tage lange bukser og arbejdssko på, når du servicerer plæneklipperen.
 - E. Udskift straks beskadigede eller slidte dele for at sikre problemfri drift.
- KUN autoriserede serviceteknikere må åbne og genforsegle chassis-rummet bag kofangeren. Den begrænsede garanti kan bortfalde, hvis du selv udfører service.

BEMÆRK: FORSIKRING

Det er ikke sikkert, at du er dækket af din forsikring i tilfælde af ulykker med dette produkt. Kontakt din forsikringsudbyder eller -agent for at finde ud af, om der tilbydes dækning.

6.1 Rengøring

- A. Sluk for plæneklipperen.
- B. Brug en skånsom børste eller klud til omhyggelig udvendig rengøring, og undgå ætsende opløsningsmidler som alkohol, benzin eller acetone. Disse stoffer kan potentielt skade både æstetikken og de indvendige komponenter i din plæneklipper.

BEMÆRK

- For at opnå en problemfri docking er det vigtigt regelmæssigt at undersøge og rengøre ladestationen for snavs og mudder.
- Sørg for, at alle tilslutningsdele på ladestationen, forlænger kablet og strømforsyningen er fri for forhindringer for at opnå optimal ydelse.

Chassis og kniv-skive

- A. Det anbefales at bruge en børste eller en vandslange til at rengøre chassiset og kniv disken.
- B. Brug ikke en højtryk renser, da det kan forårsage skader.
- C. Sørg for, at knivdisken roterer jævnt, og at knivene kan dreje uden begrænsninger.



FORSIGTIG

- Vand under højt tryk kan trænge ind i pakningerne og beskadige elektroniske og mekaniske dele.

Hjulene

Græs på hjulene kan forringe plæneklipperens ydeevne, når den kører på skrånninger. Brug børsten til at fjerne mudder eller andre genstande imellem for at sikre et godt greb.

Regnsensor

A. Tjek regnsensoren en gang om måneden, og sørg for, at den ikke er dækket af mudder, græs eller andre genstande.

B. Vask mudder, græs eller andre genstande af, eller brug en blød børste til at rengøre den.

C. Tør sensorområdet efter rengøring for at forhindre, at det bliver udløst, som det ville blive af regn.

Kamera

Rengør kameraet regelmæssigt for at holde det rent.



ADVARSEL

- Sørg for, at plæneklipperen er slukket før rengøring.
- Når plæneklipperen står på hovedet, skal du slukke for den.

6.2 Udskiftning af blade

For at forbedre klippeevnen og sikkerheden anbefales det at udskifte plæneklipperens skruer og knive hver 1-2 måned, hvis den bruges ofte. For at opnå et sikkert klippesystem skal du udskifte alle knive og deres skruer på samme tid. Se afsnittet »Specifikation - tilbehør« for dele, der kan bruges.



ADVARSEL

- Brug tykke handsker, når du inspicerer eller servicerer klingene.
- Genbrug IKKE skruerne. Det kan medføre alvorlige skader.
- Vi anbefaler på det kraftigste at bruge de korrekte skruer og originale knive, som vi har solgt. (NO.80201457).

Sådan udskiftes knivene

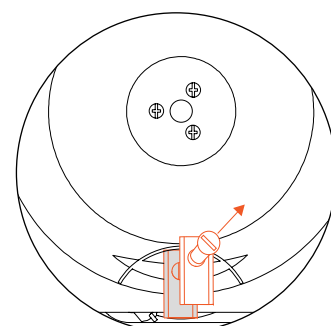
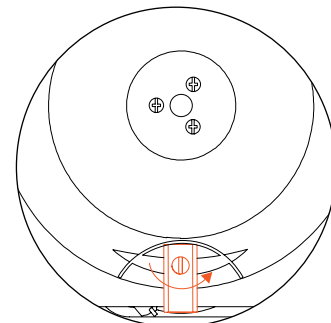
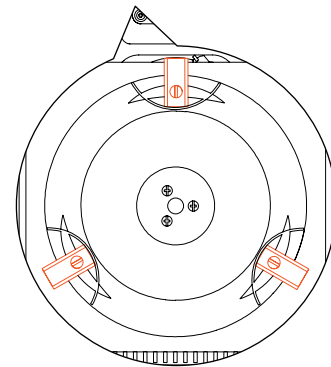
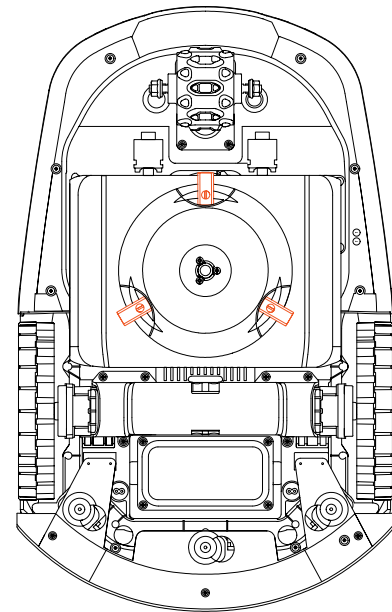
A. Sluk for plæneklipperen.

B. Stil plæneklipperen på hovedet på et rent, blødt underlag for at undgå ridser.

C. Brug en krydsskruetrækker til at løsne skruerne.

D. Fjern skruerne og knivene.

E. Fastgør de nye blade og skruer (drejningsmoment: 1,0+0,2 N.m). Sørg for, at knivene kan dreje frit.



BEMÆRK

- Udskift skruerne med et standarddrejningsmoment på 1,0+0,2 N.m. Forkert tilspændings-moment kan føre til problemer, der kan undgås.

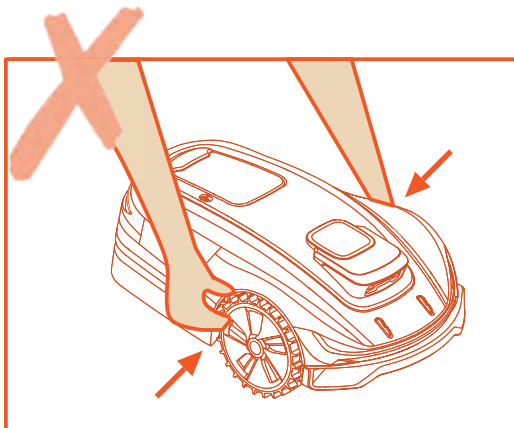
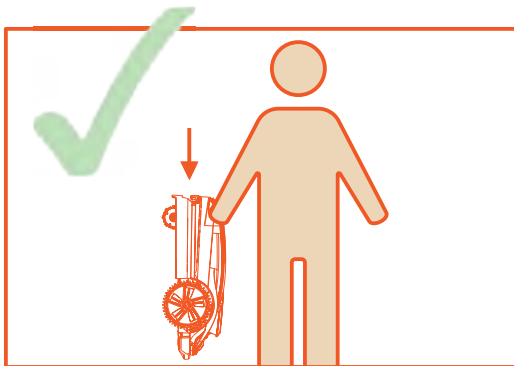
- Sørg for, at plæneklipperen er slukket, og tjek knivene for korrekt anvendelse. Tjek for unormal støj eller rystelser.

6.3 Transport

Sørg for, at plæneklipperen er sikker under langdistancetransport ved at bruge den originale emballage. Sørg for at slukke for produktet, før du løfter, flytter eller transporterer det. Håndter den med forsigtighed, og undgå voldsom kraft, f.eks. kast og kraftigt tryk. Saml aldrig plæneklipperen op eller bær den, mens motoren kører.

Sådan flytter eller løfter du korrekt

Bær plæneklipperen i håndtaget. Hold knivdisken vendt væk fra din krop.

**6.4 Batteri**

A. Lad batteriet helt op før opbevaring for at undgå overafloadning og beskadigelse af de elektriske dele.

B. Den begrænsede garanti beskytter ikke mod skader på batterier, der aflades for meget.

C. Oplad IKKE batteripakken ved lufttemperaturer under 5 °C (41 °F) eller over 40 °C (104 °F).

D. Hvis batteripakken oplades, når lufttemperaturen er mellem 18 °C og 25 °C, kan det forlænge dens levetid og forbedre dens ydeevne.

E. Batteripakken fungerer bedst, når den bruges ved normal stuetemperatur (20 °C±5 °C).

BEMÆRK

- Batteriets levetid afhænger af, hvor ofte produktet bruges, og det samlede antal arbejdstimer. Hvis driftstiden er betydeligt kortere end normalt pr. fuld opladning, eller hvis plænen ikke er velklippet, anbefales det at udskifte batteriet.

Sådan udskiftes batteriet

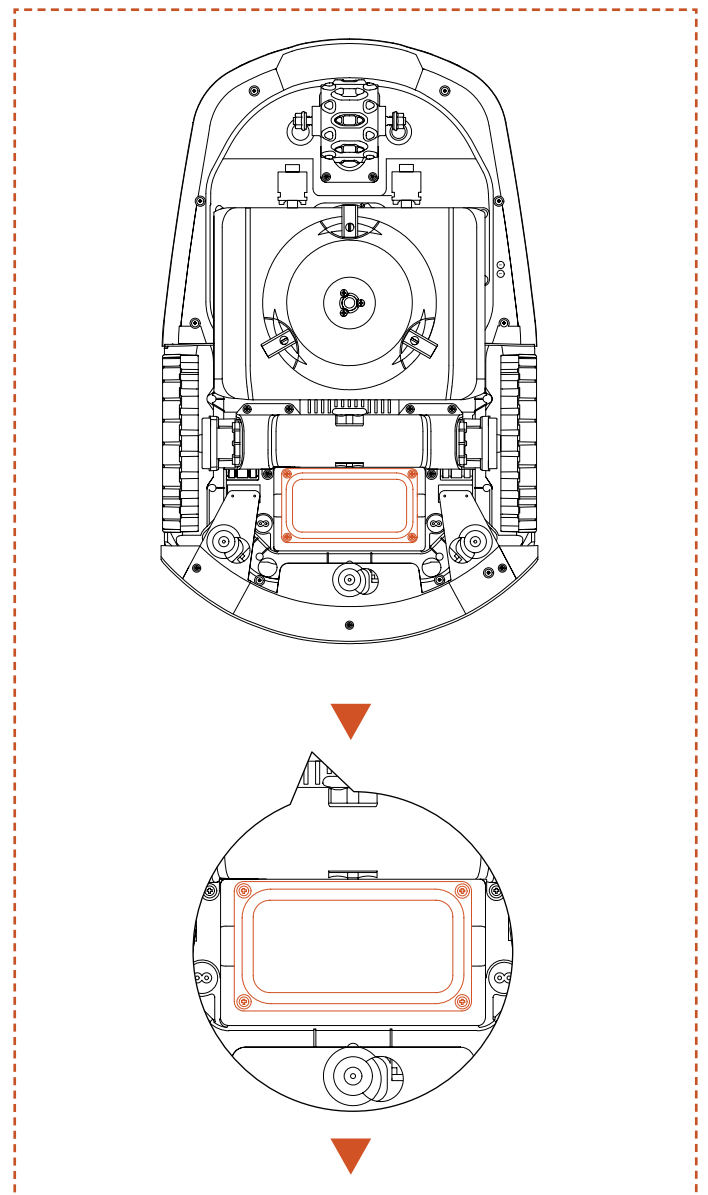
A. Sluk for plæneklipperen.

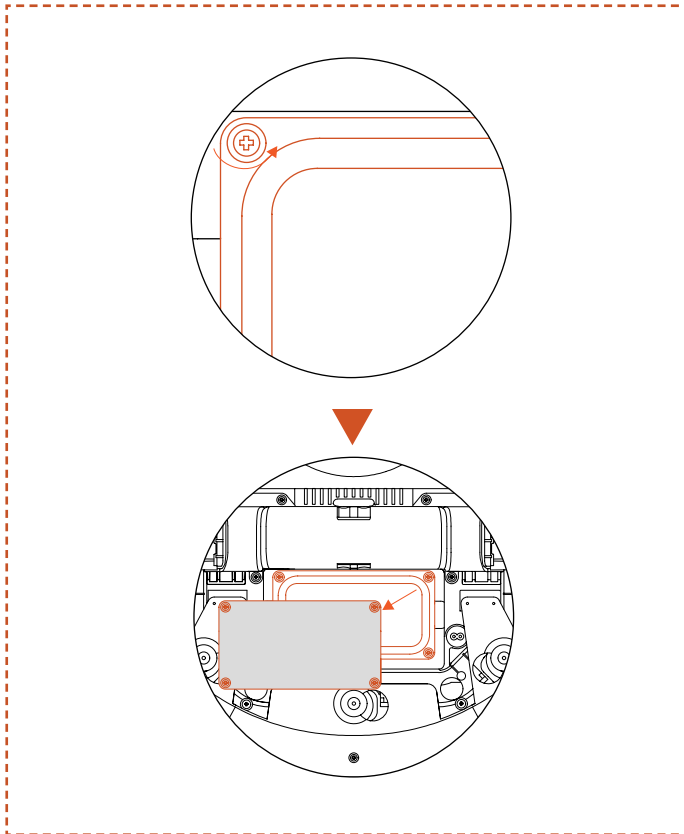
B. Placer plæneklipperen med hovedet nedad på et rent, blødt underlag.

C. Løsn de 4 skruer, der holder batterirummet på plads, med en krydsskruetrækker.

D. Tag stikket ud af stikkontakten.

E. Tag batteripakken ud, og erstat den med en ny.





⚠ ADVARSEL

- Brug kun den originale batteripakke eller en af samme model som specificeret af SUNSEEKER. Hver plæneklipper indeholder en batteripakke.
- Afhængigt af den specifikke plæneklippermodel er batteriets nominelle kapacitet 5000 mAh eller 10000 mAh.
- Brug ikke ikke-genopladelige batterier. Brug kun den aftagelige forsyningsenhed, der følger med dette produkt, til at genoplade batteriet.
- Undgå at ødelægge eller adskille batterikassen. Undgå kontakt med metalgenstande for at forhindre kortslutning. Holdes væk fra varmekilder, ild og direkte sollys.
- Kontakt dit salgssted, dit lokale eller regionale affaldshåndteringskontor eller din renovationservice for at få flere oplysninger om batteri- og el-affald.
- Det er ikke meningen, at batterirummet skal åbnes ofte. Hvis der er brug for et nyt batteri, skal du kun åbne batterirummet.
- Batteripakken indeholder elektrolytter. Hvis elektrolyt-lækagen kommer i kontakt med din hud, skal du straks vaske den af med vand og sæbe. Søg lægehjælp i tilfælde af øjenkontakt, og skyl straks øjnene med rigeligt vand i mindst 15 minutter uden at gnide.

6.5 Strømforsyning

Afbryd strømforsyningen:

- A. Før du fjerner en blokering.
- B. Før du kontrollerer, rengør eller arbejder på maskinen.
- C. Efter at have ramt et fremmedlegeme skal du inspicere maskinen for skader.
- D. Undersøg jævnligt ledningen, stikket, kabinettet og andre dele. Hvis du finder skader eller tegn på ældning, skal du straks stoppe med at bruge den.

⚠ ADVARSEL

- Brug ALDRIG en beskadiget strømforsyning til drift. For at undgå fare skal den beskadigede forsyningsledning udskiftes af producenten, dennes serviceagent eller andre kvalificerede personer. Hvis forlængerledningen er defekt, skal den udskiftes med en SUNSEEKER-godkendt 10 m ledning.
- Rør ALDRIG ved et forlængerledning eller en beskadiget ledning, før den er taget ud af stikkontakten eller tilsluttet strømforsyningen. En beskadiget ledning kan forårsage kontakt med elektriske komponenter.
- Strømforsyningen må ikke bruges sammen med andre enheder eller batterier, da det øger risikoen for elektrisk stød, brand eller personskade. Hvis du bruger andet end originale batterier, kan produktsikkerheden ikke garanteres.
- Oplad IKKE, når batteriet er utæt.
- Hold forlængerledningen væk fra bevægelige, farlige dele for at undgå skader på ledningerne, som kan føre til kontakt med strømførende dele.

Anbefaling

Tilslut kun plæneklipperen og/eller dens eksterne enheder til et forsyningskredsløb, der er beskyttet af en fejlstrømsafbryder (RCD) med en udløsningsstrøm på højst 30 mA.

6.6 Opbevaring

- A. Sørg for, at plæneklipperen er fuldt opladet og slukket, før du opbevarer den, for at undgå overfladning, som kan resultere i permanent skade.
- B. Opbevares på et tørt, køligt sted indendørs. Udsættelse for sollys og ekstreme temperaturer (enten varme eller kulde) fremskynder aldrigprocessen for komponenterne og kan forårsage permanent skade.
- C. Hold kemikalier og varmekilder (komfurer, radiatorer osv.) væk fra plæneklipperen, ladestationen og strømforsyningen.
- D. Opbevar strømforsyningen på et sted med god ventilation, og beskyt den mod fugt.

ADVARSEL

- Tag stikket til strømforsyningen ud af stikkontakten, hvis der er varslet tordenvejr. Frakobl alle ledninger og kabler, der er forbundet med ladestationen. Tilslut igen, når der ikke længere er risiko for tordenvejr.

Ekstra krav til vinteropbevaring

Plæneklipperen:

- A. Rengør plæneklipperen grundigt inden opbevaring.
- B. Kontrollér de komponenter, der er udsat for slitage, f.eks. knivene.
- C. Reparer eller udskift dem, hvis de er i dårlig stand.
- D. Opbevar plæneklipperen på et tørt og frostfrit sted, mens den står på alle hjul, helst i den originale emballage.

Ladestationen:

- A. Afbryd forbindelsen til ladestationen, og tag strømforsyningen ud af stikkontakten.
- B. Hold ladestationen væk fra direkte sollys, og tag den med indenfor.

6.7 Genbrug og bortskaffelse efter endt levetid

Dette produkt er IKKE husholdningsaffald. Kontakt din kommune, dit salgssted eller din affaldsservice for at få oplysninger om genbrug.

ADVARSEL

- Dette produkt må ikke smides på lossepladsen, brændes eller blandes med almindeligt husholdningsaffald. Elektriske komponenter kan forårsage fare eller alvorlig skade.

7. Ofte stillede spørgsmål og fejlfinding

7.1 Fejlmeddelelse

Fejlkode	Betydning	Mulig årsag
E1	Robot ud af arbejdszone	Hvordan løser man "Robot uden for arbejdszone"?
E2	Hjulmotorblok	Hjulmotoren sidder fast
E3	fejl i skæremotoren	Skæremotoren sidder fast
E4	Robottens kofanger sidder fast	1. For mange forhindringer 2. Kontroller, om kofangeren er blevet siddende på sin plads.
E5	Robot løftet op	Confirm if the machine has been lifted
E6	Robottens hældning	Kontroller, om maskinen er placeret på ujævnt underlag.
E7	Vinkelsensor aktiveres ofte	Kontroller, om maskinen er placeret på ujævnt underlag.
E8	Manglende docking på ladestationen under genoplading	Hvordan løser man fejlen "Kunne ikke dokke på ladestationen under genoplading"?
E9	Robot fanget	1. Bekræft, om der er for mange forhindringer omkring maskinen 2. Robotten kom ind i et snævert rum og kunne ikke komme ud igen 3. Plæneklipperen glider
E10	Opgradering mislykkedes	1. Tjek, om WiFi-signalet er meget svagt 2. Kontroller, om maskinen oplades på en ladestation
E12	Fejl i batterispænding	1. Placer maskinen på ladestationen for at se, om den kan oplades helt. 2. Overoplading af strøm 3. Over tid med opladning 4. Batterispændingen er for høj eller for lav
E13	Fejl i opladningen	Defekt oplader
E14	Det aktuelle kortområde er for stort og overskrider det maksimale arbejdsområde, der understøttes af robotten	Byg et nyt kort inden for produktets nominelle kapacitetsområde
E15	Fejl i baghjuls-motor/styretøj-motor	Baghjuls-motor/styretøj-motor sidder fast
E16	Fejl i elevation-motor	Løftmotoren sidder fast
E17	Kan ikke finde ladestationen	Hvordan løser man fejlen "Kunne ikke dokke på ladestationen under genoplading"?
E18	Lavt batteriniveau	Maskinen kan muligvis ikke vende tilbage til ladestationen for normal opladning på grund af en fejl. Flyt den manuelt til ladestationen for at oplade den.
E19	Forbindelse mislykkedes	1. Der er 4 QR-koder bag på maskinen, og når du tilføjer en maskine, skal du vælge den første QR-kode. 2. Kontrollér, at Bluetooth på telefonen er tændt, og at den er inden for en rækkevidde af 1 meter fra maskinen. 3. Har du indtastet den korrekte opstartsadgangskode, der som standard er 0000? 4. Er wifi 2,4 GHz? 5. Er wifi 2,4 GHz?

Fejlkode	Betydning	Mulig årsag
E21	RTK-initialisering mislykkes	1. Kontrollér, om basestationen er installeret korrekt, og om der er nogen forhindringer. 2. Kontroller, om maskinen er blokeret 3. Tjek, om der er store forhindringer, der blokerer signalet mellem basestationen og maskinen.
E22	Fejl i frontkameraet	Bekræft, om kameraet er blokeret
E23	Fejl med tomt kort	Opret venligst et kort, før du starter
E24	RTK-basesignal mistet	1. Kontrollér, om basestationen er tændt. 2. Kontroller, om basestationen er installeret korrekt Sådan installeres RTK-stationen 3. Kontroller, om der er nogen forhindringer mellem basen og maskinen. 4. Prøv at oprette forbindelse til basestationen igen
E25	Mapping mislykkedes	1. Bekræft, om kortet er lukket 2. Bekræft, om maskinen har en god wifi-forbindelse
E26	RTK-kalibrering mislykkes	Hvordan løser man fejlen "RTK-kalibrering mislykkes"?
EE	Behov for støtte fra forhandlere	1. Dårlig kontakt på batterikortet 2. Defekt skærmmkort 3. Defekt i afgrænsningspladen 4. Unormalitet på multifunktionelt kort 5. Hardware-defekt 6. Øvrige fejl
BP	Fejl i batteritemperatur	1. Bekræft, om omgivelsestemperaturen er for høj 2. Bekræft, om omgivelsestemperaturen er for lav
LÅS	Låst. Forsøg igen efter 10 minutter.	1. Indtast venligst den korrekte adgangskode 2. Hvis du glemmer din adgangskode, kan du nulstille den til 0000 ved at nulstille fabriksindstillingerne via appen. 3. Hvis mobilappen ikke er forbundet til maskinen, bedes du kontakte eftersalgsservice.
STOP	Manuelt stop	Der trykkes på STOP-knappen

Instruktioner om, hvordan du skal forholde dig i tilfælde af unormale vibrationer:

- A. Sluk for maskinen.
- B. Drej maskinen 180 grader.
- C. Kontrollér knivenes tilstand for skader eller funktionsfejl.
- D. Det anbefales at udskifte alle tre knive.
- E. Vend maskinen tilbage for at begynde at arbejde.

7.2 Fejlfinding

Hvis du støder på produkt- eller app-relaterede problemer, almindelige problemer og spørgsmål, kan du læse artiklerne med ofte stillede spørgsmål på Sunseekers officielle hjemmeside (<https://support.sunseeker-elite.com>) eller i afsnittet "Hjælp og feedback" i appen.

8. Vigtige oplysninger

8,1 Beskyttelse af personoplysninger

Behandling af personoplysninger inden for Platform X

- Hvem og hvorfor?

Når du tilmelder dig og bruger Sunseekers platform X, vil Sunseeker (eller »vi«) som dataansvarlig behandle dine personoplysninger. Vi vil behandle dine personoplysninger for at:

1. Give dig en Platform X-forbindelse eller give dig et tilbud om en sådan tjeneste. Retsgrundlaget er, at behandlingen er nødvendig for at opfylde den kontrakt, du har indgået med os, eller for at tage skridt forud for indgåelse af en kontrakt med os.
2. Videreudvikle og forbedre vores produkter og tjenester. Retsgrundlaget er vores legitime interesse i at udvikle og forbedre vores produkter og tjenester.
3. Aktivere tilslutning af Platform X (Internet of Things): Brug partnerintegrationer (f.eks. smarte assistenter, herunder stemmeaktiverede enheder); brug tilslutningsplatforme til at forbinde Platform X med tredjepartsenheder, -apps og -tjenester; og byg din egen smart hjem-integration. Retsgrundlaget er, at behandlingen er nødvendig for opfyldelsen af den kontrakt, du har indgået med os.
4. Give dig relevante oplysninger i forbindelse med din oplevelse af Platform X. Retsgrundlaget er vores legitime interesse i at holde dig informeret om dine specifikke produkter og tjenester og deres funktioner.
5. Give dig support og fejlfinding vedrørende platform X. Retsgrundlaget er, at behandlingen er nødvendig for opfyldelsen af den kontrakt, du har indgået med os.

Hvis du har givet os dit samtykke (i hvilket tilfælde retsgrundlaget er dit samtykke), kan vi også behandle dine personoplysninger til følgende formål:

1. Sende dig tilpassede reklamer og nyhedsbreve om vores produkter og tjenester.
2. Sende dig kundeundersøgelser og analysere det input, du giver, som nærmere beskrevet i en sådan kommunikation.

Dine data vil blive behandlet, så længe Sunseeker har brug for dem til at opfylde ovennævnte formål, men under ingen omstændigheder længere end den gældende lovgivning tillader.

- Hvilke personoplysninger behandler vi?

Vi kan behandle følgende personoplysninger:

1. Personlige oplysninger: for- og efternavn, nationalitet, sprogpræferencer;
2. Kontaktoplysninger: e-mailadresse, postadresse;
3. Kontooplysninger: kontoalder, adgangskode, kontonummer;
4. Andre data relateret til din Platform X: plæneklipperens navn, parringsnavne, handlinger udløst ved brug af partnerintegrationer og enhedsoplysninger.

- Brug af lokaliseringsdata

Nogle af vores tjenester fungerer kun, hvis vi kan bestemme placeringen af din plæneklipper (f.eks. vejrvision). Når du deler din plæneklippers placering med os, gemmes dataene som en del af din profil og kan sendes til tredjeparter i pseudonymiseret form med henblik på at levere den relevante service (f.eks. at parkere plæneklipperen i tilfælde af kraftig regn).

8.2 Begrænset garanti

Begrænset garanti

Vi tilbyder 2 års garanti. Før du indgiver et garantikrav, beder vi dig om at tjekke afsnittet med ofte stillede spørgsmål og fejlfinding i brugervejledningen først. Vores dedikerede kundesupport er også klar til at hjælpe. For at påbegynde garantikrav skal du fremvise et købsbevis, herunder en gyldig kvittering, der viser købsdato og -sted.

Vores garanti dækker ikke:

Dele, der er udsat for normal slitage, f.eks. jordspyd, skæreskiver og batteri.

8.3 Ansvarsfraskrivelser

Vi tilbyder kunderne eftersalgsservice, undtagen under følgende omstændigheder:

1. Nedbrud forårsaget af ikke-fremstillingsfaktorer, herunder, men ikke begrænset til, brugerfejl.
2. Skader forårsaget af uautoriseret ændring, adskillelse eller åbning af skallen, der ikke er i overensstemmelse med officielle instruktioner eller brugsanvisninger.
3. Skader forårsaget af forkert installation, forkert brug eller betjening, der ikke er i overensstemmelse med officielle instruktioner eller brugsanvisninger.
4. Skader forårsaget af en ikke-autoriseret serviceudbyder.
5. Skader forårsaget af uautoriseret ændring af kredsløb og/eller uoverensstemmelse eller forkert brug af batteri og oplader.
6. Skader forårsaget af brugere, der ikke følger instruktioner og anbefalinger i manualen.
7. Skader forårsaget af drift under dårlige plæneforhold (f.eks. store områder med vandpytter, når begrænsede områder ikke er korrekt indstillet, steder med masser af sten, der dækker plæneoverfladen osv.)
8. Skader forårsaget af brug af produktet i miljøer med elektromagnetisk interferens, herunder mineområder eller i nærheden af radiotransmissionsmaster, højspændingsledninger, transformestationer osv.
9. Skader forårsaget af brug af produktet i miljøer med interferens fra andre trådløse enheder, f.eks. sendere, video-downlinks, Wi-Fi-signaler osv.
10. Skader forårsaget af pålideligheds- eller kompatibilitetsproblemer ved brug af uautoriserede tredjepartsdele.
11. Skader forårsaget af drift af enheden med et lavt opladet eller defekt batteri.

12. Skader forårsaget af uforudsigelige faktorer som bilkollisioner, angreb fra vilde dyr, oversvømmelser osv. Dette indhold kan ændres uden forudgående varsel.

FCC Erklæring

Denne enhed overholder del 15 af FCC-reglerne. Betjening er underlagt følgende to betingelser: (1)denne enhed må ikke forårsage skadelig interferens, og (2)denne enhed skal acceptere enhver modtaget interferens, inklusive interferens, der kan forårsage uønsket drift. Ændringer eller modifikationer, der ikke udtrykkeligt er godkendt af den part, der er ansvarlig for overholdelse, kan annullere brugerens ret til at betjene udstyret.

BEMÆRK

Dette udstyr er blevet testet og fundet i overensstemmelse med grænserne for en klasse B digital enhed i henhold til del 15 af FCC-reglen Disse grænser er designet til at give rimelig beskyttelse mod skadelig interferens i en boliginstallation. Dette udstyr genererer anvendelser og kan udstråle radiofrekvensenergi og kan, hvis det ikke installeres og bruges i overensstemmelse med instruktionerne, forårsage skadelig interferens på radiokommunikation. Der er dog ingen garanti for, at der ikke vil forekomme interferens i en bestemt installation. Hvis dette udstyr forårsager skadelig interferens på radio- eller tv-modtagelse, hvilket kan fastslås ved at slukke og tænde for udstyret, opfordres brugeren til at forsøge at korrigere interferensen ved hjælp af en eller flere af følgende foranstaltninger:

- Drej eller flyt modtagerantennen.
- Øg afstanden mellem udstyret og modtageren.
- Tilslut udstyret til en stikkontakt på et andet kredsløb end det, som modtageren er tilsluttet.
- Kontakt forhandleren eller en erfaren radio/tv-tekniker for at få hjælp.
- For at opfylde FCC Rf-eksponerings krav skal der holdes en afstand på 20 cm eller mere mellem antennen på denne enhed og personer under enhedens drift. For at sikre overholdelse anbefales operationer tættere end denne afstand ikke.

ADVARSEL for knapcelle- eller møntbatteri:

- a) Fjern og genbrug øjeblikkeligt eller bortskaf brugte batterier i henhold til lokale regler og hold dem væk fra børn.
- b) Bortskaf IKKE batterier i husholdningsaffald eller brænd.
- c) Selv brugte batterier kan forårsage alvorlig personskade eller død.
- d) Ring til et lokalt giftkontrolcenter for information om behandling.
- e) Batteritype: CR2032.
- f) Nominel spænding: 3.0 Vdc.
- g) Ikke-genopladelige batterier må ikke genoplades.

h) Tving ikke udledning, genopladning, adskillelse, opvarm ikke over (producentens specificerede temperaturklassificering) eller forbrænd. Hvis du gør det, kan det resultere i personskade på grund af udluftning, lækage eller eksplosion, hvilket resulterer i kemiske forbrændinger.

i) Produktet indeholder ikke-udskiftelig knapcelle.



EF-overensstemmelses-erklæring

We.

Zhejiang Sunseeker Industrial Co., Ltd.

988 Jinde Rd. Jiangdong Industrial Park, Jinhua, Zhejiang 321000 P.R. KINA

Erklærer og påtager sig ansvaret for, at produktet:

Mærkenavn: SUNSEEKER

Produktets navn: Robotplæneklipper

Type: RMX1600L20V, RMX2000L20V, RMX2500L20V, RMX1602N20V, RMX2002N20V, RMX2502N20V

Formålet med den ovenfor beskrevne erklæring er i overensstemmelse med følgende EU-direktiver:

1. Direktiv om radioudstyr (2014/53/EU)

2. Maskindirektivet (2006/42/EF)

3. RoHS direktivet (2011/65/EU) og ændringsdirektivet ((EU)2015/863)

4. Støjdirektivet (bilag III til 2000/14/EF som ændret ved 2005/88/EF)

- Lydtryksniveau LpA: 52 dB (A), lyd tryks-usikkerheder KpA: 3dB (A)

- Oplyst garanteret lydeffektniveau: 60 dB (A), lydeffekt-usikkerheder KWA: 3dB (A)

Overensstemmelse med disse direktiver er blevet vurderet for dette produkt ved at påvise overensstemmelse med følgende harmoniserede standarder og/eller tekniske specifikationer:

EN 50636-2-107: 2015+A1:2018+A2: 2020+A3: 2021

EN 60335-1:2012+A11:2014+A13:2017+ A1:2019 + A2:2019+ A14:2019+A15:2021

EN IEC 55014-1:2021

EN IEC 55014-2:2021

EN IEC 61000-3-2:2019+A1:2021

EN 61000-3-3:2013+A1:2019+A2:2021

EN 301 489-1 V2.2.3

EN 301 489-3 V2.3.2

EN 301 489-17 V3.2.4

EN 301 489-19 V2.2.1

EN 301 489-52 V1.2.1

EN 301 511 V12.5.1

EN 301 908-1 V15.2.1

EN 301 908-13 V13.2.1

EN 303 413 V1.2.1

EN 300 220-2 V3.1.1

EN 300 328 V2.2.2

EN 62311:2008

EN IEC 62311:2020

EN 62321-1:2013

EN IEC 62321-2:2021

EN 62321-3-1:2014

EN 62321-8:2017

EN 62321-4:2014 /A1:2017

EN 62321-5:2014

EN 62321-7-1:2015

EN 62321-7-2:2017

EN 62321-6:2015

EN 62321-8:2017

EN ISO 11094:1991

EN ISO 3744:1995

EN ISO 3744:2010

Information om RF-eksponering

Denne enhed er blevet testet og overholder de gældende grænser for eksponering for radiofrekvenser (RF).

Dette udstyr skal installeres og betjenes i overensstemmelse med de medfølgende instruktioner, og den eller de antenner, der bruges til denne sender, skal installeres, så der er en afstand på mindst 20 cm til alle personer, og må ikke placeres eller betjenes sammen med andre antenner eller sendere.

Underskrevet for og på vegne af: Zhejiang Sunseeker Industrial Co., Ltd.

Sted: Jinhua, Zhejiang P.R. KINA

Dato: 09-07-2024

Navn: Harry Ran

Titel: Chef-ingeniør

Underskrift: 

Tabell av

1. Säkerhet och Regler	148
1.1 Allmänt	148
1.2 Allmänna säkerhetsinstruktioner.....	148
1.3 Säkerhetsinstruktioner för Installation.....	149
1.4 Säkerhetsinstruktioner för Daglig drift	150
1.5 Säkerhetsinstruktioner för Underhåll	150
1.6 Batterisäkerhet.....	150
2. Symboler och Dekaler.....	150
3. Innehåll och Specifikation	151
3.1 Boxens Innehåll.....	151
3.2 Delar och Funktioner	152
4. Installation	154
4.1 Förberedelser	155
4.2 Installera Laddstationen.....	155
4.3 Installera RTK-Basstationen.....	155
4.4 Ladda och Aktivera Klipparen.....	156
4.5 Appanslutning	157
5. Daglig Drift	158
5.1 Display och Kontroll på Klipparen	158
5.2 Ändra PIN-koden	158
5.3 IoT	159
5.4 Hinderundvikande.....	159
6. Underhåll	160
6.1 Rengöring.....	160
6.2 Byta blad	161
6.3 Transport.....	162
6.4 Batteri.....	162
6.5 Strömförsörjning	163
6.6 Förvaring.....	163
6.7 Återvinning och Avyttring vid Livets Slut	164
7. FAQ och Felsökning	165
7.1 Felmeddelande	165
7.2 Felsökning	166
8. Viktig Information.....	167
8.1 Datasekretess	167
8.2 Begränsad Garanti	167
8.3 Friskrivningar	167

1. Säkerhet och Regler

1.1 Allmänt

VIKTIGT
LÄS NOGA INNAN ANVÄNDNING
SPARA FÖR FRAMTIDA REFERENS

Avsedd Användning

Denna trädgårdsprodukt är endast avsedd för gräsklippning, automatisk klippning av trädgårdsgräs när som helst på dygnet. All användning utöver det avsedda syftet kan medföra risker, potentiellt orsaka skador på personer och/eller egendom. Det är avgörande att strikt följa de angivna riktlinjerna för att säkerställa säkerhet och förebygga olyckor.

Ej Avsedd Användning

Denna trädgårdsprodukt är inte avsedd att användas av barn eller personer med nedsatt fysisk, sensorisk eller mental förmåga, eller brist på erfarenhet och kunskap, om de inte har fått tillsyn eller instruktioner om användningen av produkten av en person ansvarig för deras säkerhet.

Felaktig användning inkluderar, men är inte begränsat till, att transportera människor, barn eller djur på maskinen; att transporteras av maskinen; att använda maskinen för att dra eller skjuta laster; och att använda maskinen för att klippa icke-gräsvegetation.

Restrisker - Bär skyddshandskar och skyddsglasögon när du utför underhåll eller byter blad för att förhindra skador.

Förläng inte kabeln mellan strömförsörjningsenheten och laddningsstationen.



VARNING

- Rör inte rörliga delar som är farliga innan de har stannat helt.
- Håll strömkabeln, strömförsörjningsenheten, förlängningskabeln och alla andra elektriska kablar som inte tillhör produkten utanför klippområdet för att hålla dem borta från farliga rörliga delar och för att förhindra skador på kablar som kan komma i kontakt med strömförande delar. Det finns en risk för skador eller dödsfall för operatören eller åskådare om instruktionerna i manualen inte följs.
- Automatisk gräsklippare! Håll dig borta från maskinen! Barn måste övervakas!
- Spara alla varningar och instruktioner för framtida referens.
- Läs alla säkerhetsvarningar, instruktioner, illustrationer och specifikationer som medföljer denna produkt. Att inte följa alla instruktioner som listas nedan kan resultera i elektrisk stöt, brand och/eller allvarlig skada.

1.2 Allmänna säkerhetsinstruktioner

Säkerhet i arbetsområdet

A. Använd inte maskiner i explosiva atmosfärer, såsom i närvaro av brandfarliga vätskor, gaser eller damm. Maskiner skapar gnistor som kan antända damm eller ångor.

B. Läs instruktionerna noggrant. Var bekant med kontrollerna och den korrekta användningen av maskinen.

C. Låt aldrig personer som inte känner till dessa instruktioner eller barn använda maskinen. Lokala regler kan begränsa operatörens ålder.

D. Operatören eller användaren ansvarar för olyckor eller faror som drabbar andra personer eller deras egendom.

Elektrisk säkerhet

A. Stickproppar måste passa uttaget. Modifiera aldrig stickproppen på något sätt. Använd inte några laddningspluggar med jordade (grounded) enheter. Omodifierade pluggar och matchande uttag minskar risken för elektrisk stöt.

B. Undvik kroppskontakt med jordade eller jordförbundna ytor, såsom rör, element, spisar och kylskåp. Det finns en ökad risk för elektrisk stöt om din kropp är jordad eller jordförbunden.

C. Missbruka inte elkablar. Använd aldrig strömkabeln för att bära, dra eller koppla ur en enhet. Håll elkablar borta från värme, olja, vassa kanter eller rörliga delar. Skadade eller trasliga elkablar ökar risken för elektrisk stöt.

D. Om det är oundvikligt att använda en enhet som drivs med nätström på en fuktig plats, använd en jordfelsbrytare (RCD) skyddad försörjning. Användning av en jordfelsbrytare minskar risken för elektrisk stöt.

E. Se till att den automatiska gränsbestämningssystemet installeras korrekt enligt instruktionerna.

F. Inspektera regelbundet området där maskinen ska användas och ta bort alla stenar, pinnar, trådar, ben och andra hinder.

G. Kontrollera bladen, bladbultarna och skärmonteringen regelbundet för slitage eller skador. Byt ut slitna eller skadade blad och bultar i set för att bevara balansen.

H. På flerspindelmaskiner, var försiktig då rotation av ett blad kan orsaka att andra blad roterar.

Personlig säkerhet

A. Låt inte personer som är obekanta med maskinen eller dessa instruktioner använda maskinen. Maskiner är farliga i händerna på otränade användare.

B. Var uppmärksam, se vad du gör och använd sunt förnuft när du använder maskinen. Använd inte maskinen när du är trött eller påverkad av droger, alkohol eller mediciner. Ett ögonblicks ouppmärksamhet vid användning av maskinen kan resultera i allvarliga personskador.

C. Ta bort eventuella justeringsnycklar eller skiftnycklar innan du använder maskinen. En nyckel eller skiftnyckel som sitter fast på en roterande del av maskinen kan leda till personskada.

D. När du manuellt kontrollerar maskinen, behåll alltid korrekt fotfäste och balans. Detta möjliggör bättre kontroll av maskinen i oväntade situationer.

E. Låt inte vana från frekvent användning av maskiner göra att du blir självsäker och ignorerar maskinens säkerhetsprinciper. En vårdslös handling kan orsaka svåra skador på en bråkdel av en sekund.

Användning och skötsel av maskinen

A. Koppla från stickproppen från strömkällan och/eller ta bort batteripaketet (om det är löstagbart) från maskinen eller andra enheter innan du gör justeringar, byter tillbehör eller förvarar. Sådana förebyggande säkerhetsåtgärder minskar risken för oavsiktlig start.

B. Underhåll maskiner och tillbehör. Kontrollera för feljustering eller bindning av rörliga delar, brott på delar och alla andra tillstånd som kan påverka maskinens drift. Om den är skadad, låt reparera maskinen innan användning. Många olyckor orsakas av dåligt underhållna maskiner och tillbehör.

C. Använd maskinen och tillbehören enligt dessa instruktioner, med hänsyn till arbetsförhållandena och det arbete som ska utföras. Användning av maskinen för operationer som avviker från de avsedda kan resultera i en farlig situation.

D. Använd aldrig maskinen med defekta skydd eller utan säkerhetsanordningar.

E. Placera inte händer eller fötter nära eller under roterande delar. Håll dig borta från utmatningsöppningen hela tiden.

F. Lyft eller bära aldrig en maskin medan motorn är igång.

G. Aktivera låsanordningen/ställ in på "LÅS" på maskinen - Innan du rensar en blockering;
- innan du kontrollerar, rengör eller arbetar på maskinen.

H. Lämna inte maskinen utan uppsikt om du vet att det finns husdjur, barn eller människor i närheten.

Service

A. Låt din maskin servas av en kvalificerad reparatör som använder endast identiska reservdelar. Detta kommer att säkerställa att maskinens säkerhet upprätthålls.

B. Håll alla muttrar, bultar och skruvar åtdragna för att säkerställa att maskinen är i säkert arbetsförhållande.

C. Kontrollera gräsfångaren ofta för slitage eller försämring.

D. Byt ut slitna eller skadade delar för säkerheten.

E. Se till att rätt blad byts ut.

F. Se till att batterierna laddas med rätt laddare rekommenderad av tillverkaren. Felaktig användning kan resultera i elektrisk stöt, överhettning eller läckage av frätande vätska från batteriet.

G. Vid läckage av elektrolyt, spola med vatten/neutraliserande medel, sök medicinsk hjälp om det kommer i kontakt med ögonen etc.

H. Servicen av maskinen ska ske enligt tillverkarens instruktioner.

BATTERIVERKTYG användning och skötsel

A. Ladda endast med den laddare som specificeras av tillverkaren. En laddare som är lämplig för en typ av BATTERIpaket kan skapa en brandrisk när den används med ett annat BATTERIpaket.

B. Använd endast elverktyg med specifikt utformade BATTERIpaket. Användning av andra BATTERIpaket kan skapa en risk för skada och brand.

C. När BATTERIpaketet inte används, håll det borta från andra metallföremål, som gem, mynt, nycklar, spikar, skruvar eller andra små metallföremål, som kan skapa en förbindelse från en terminal till en annan. Kortslutning av BATTERIterminalerna kan orsaka brännskador eller en brand.

D. Under missbrukande förhållanden kan vätska stötas ut från BATTERIet; undvik kontakt. Om kontakt oavsiktligt inträffar, spola med vatten. Om vätska kommer i kontakt med ögonen, sök dessutom medicinsk hjälp. Vätska som stötts ut från BATTERIet kan orsaka irritation eller brännskador.

E. Använd inte ett BATTERIpaket eller verktyg som är skadat eller modifierat. Skadade eller modifierade batterier kan uppvisa oförutsägbart beteende som resulterar i brand, EXPLOSION eller risk för skada.

F. Utsätt inte ett BATTERI eller verktyg för eld eller överdriven temperatur. Exponering för eld eller temperaturer över 130 °C kan orsaka explosion.

G. Följ alla laddningsinstruktioner och ladda inte BATTERIET eller verktyget utanför det temperaturområde som anges i instruktionerna. Felaktig laddning eller laddning vid temperaturer utanför det angivna området kan skada BATTERIET och öka brandrisken.

1.3 Säkerhetsinstruktioner för Installation

A. Installera inte laddningsstationen, inklusive eventuellt tillbehör, på en plats som är under eller inom 24 tum från brännbart material. Vid fel kan uppvärmning av laddningsstationen och strömförsörjningen ske och skapa en potentiell brandrisk.

B. Placera inte strömförsörjningen på en höjd där det finns risk att den kan hamna i vatten. Placera inte strömförsörjningen på marken.

C. Kapsla inte in strömförsörjningen. Kondenserat vatten kan skada strömförsörjningen och öka risken för elektrisk stöt.

D. Gäller för USA/Kanada. Om strömförsörjningen installeras utomhus: Risk för elektrisk stöt. Installera endast till ett täckt klass A GFCI-uttag (RCD) med ett väderskyddat hölje och tillgång till att sätta i eller ta bort kontaktdonslocket.

E. Installera inte laddningsstationen där det finns risk för stående vatten.

1.4 Säkerhetsinstruktioner för Daglig drift

- A.** Håll dina händer och fötter borta från de roterande bladen. Placera inte dina händer eller fötter nära eller under produkten när den är inställd på PÅ.
- B.** Använd parkeringsläget eller ställ in produkten på AV när personer, särskilt barn eller djur, befinner sig i arbetsområdet.
- C.** Se till att det inte finns några föremål som stenar, grenar, verktyg eller leksaker på gräsmattan. Bladen kan skadas om de träffar ett föremål.
- D.** Lyft inte produkten eller flytta den när den är inställd på PÅ.
- E.** Låt inte produkten kollidera med personer eller djur. Om en person eller ett djur kommer i vägen för produkten, stoppa produkten omedelbart.
- F.** Placera inte föremål ovanpå produkten eller laddningsstationen.
- G.** Använd inte produkten om STOPP-knappen inte fungerar.
- H.** Ställ alltid in produkten på AV när den inte är i drift.
- I.** Använd inte produkten och en pop-up-sprinkler samtidigt. Använd schemaläggningfunktionen samtidigt.
- J.** Låt inte produkten vara i drift när det finns stående vatten i arbetsområdet, till exempel ett område med vattenpölar som bildats av kraftigt regn.

1.5 Säkerhetsinstruktioner för Underhåll

- A.** Ställ in produkten på AV när du utför underhåll på produkten.
- B.** Använd inte en högtryckstvätt för att rengöra produkten. Använd inte lösningsmedel för att rengöra produkten.
- C.** Koppla från kontakten från laddningsstationen innan du rengör eller utför underhåll på laddningsstationen.

1.6 Batterisäkerhet

Litiumjonbatterier kan explodera eller orsaka brand om de demonteras, kortsluts eller utsätts för vatten, eld eller höga temperaturer. Hantera försiktigt och demontera inte eller öppna batteriet eller utsätt det för någon form av elektrisk/mechanisk missbruk. Undvik förvaring i direkt solljus.

2. Symboler och Dekaler






Dessa symboler finns på produkten. Läs dem noga.

	VARNING: Läs användarinstruktionerna innan du använder produkten.
	VARNING: Inaktivera produkten innan du arbetar på eller lyfter maskinen. Rör aldrig det roterande bladet.
	VARNING: Håll ett säkert avstånd från maskinen när den används. Håll andra personer utanför faroområdet.
	VARNING: Kör inte på maskinen.
	Använd en avtagbar strömförsörjning som definieras på märkningsetiketten bredvid symbolen.
	CE-märkning.
	Ljudnivå enligt Europeiskt direktiv för utomhusbruk. Produktens utsläpp specificeras i tekniska data på sida 6 och på typskylten.
	Kassera inte denna produkt som vanligt hushållsavfall. Se till att produkten återvinns enligt lokala lagkrav.
	Klass III
	DC









Symboler på batteripaketet

	Läs användarinstruktionerna.
	Kassera inte batteriet i eld och utsätt inte batteriet för en värmekälla.
	Sänk inte ner batteriet i vatten.
	Återvinningsbar märkning.
	Det är inte tillåtet att kassera detta batteripaket som vanligt hushållsavfall. Se till att batteripaketet återvinns enligt lokala lagkrav.

Symboler på laddaren

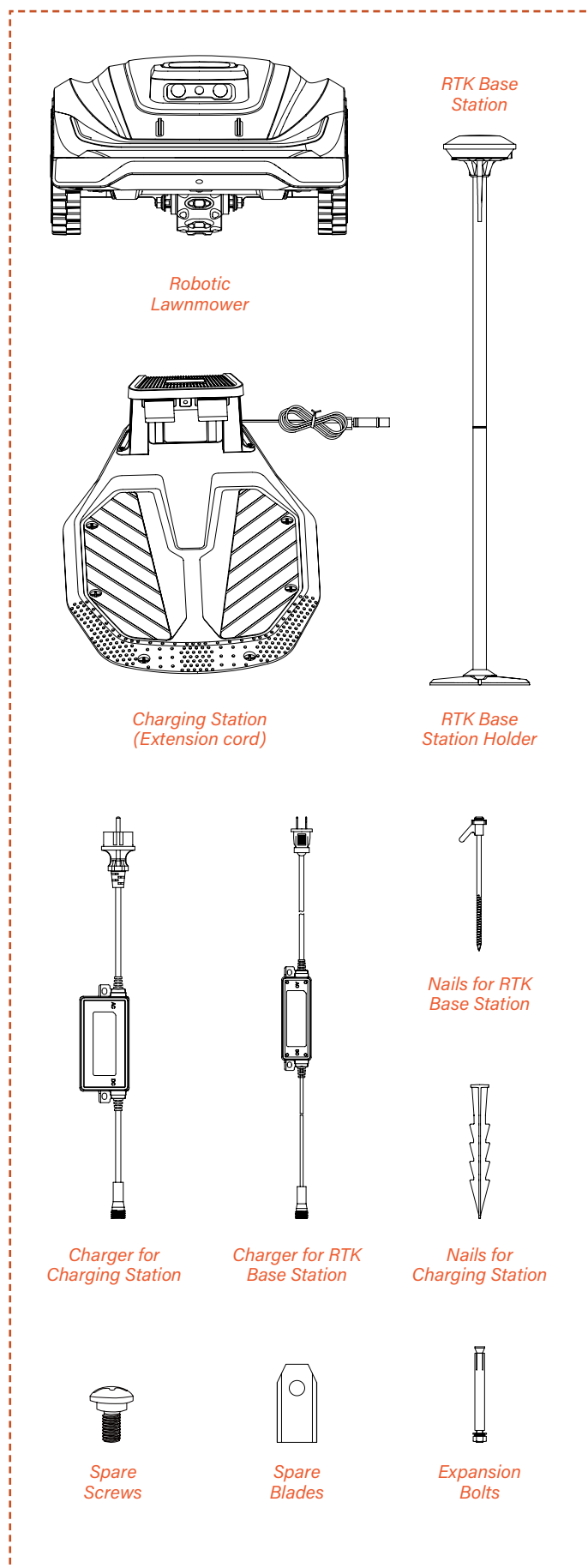
	Läs användarinstruktionerna.
T3.15A 	Ersätt med säkring enligt klassning.
T2A 	Ersätt med säkring enligt klassning.
	Konstruktion klass II.
	Kassera inte som osorterat avfall utan det måste skickas till separata insamlingsanläggningar för återvinning och återanvändning i enlighet med lokala lagkrav.

Symboler på robotens skärm

	Ström på/av
	Startknapp
	Hemknapp
	Ok-knapp
	Inställning av PIN-kod
	Tidsinställning
	Bluetooth
	Wi-Fi

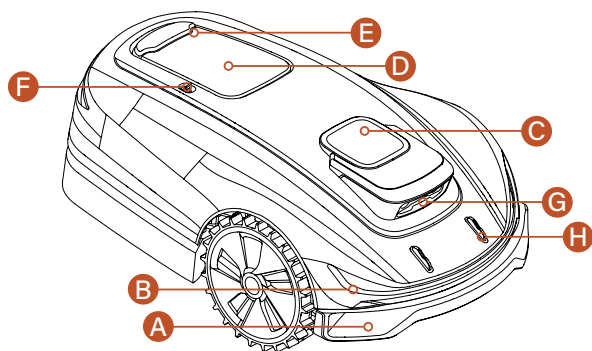
3. Innehåll och Specifikation

3.1 Boxens Innehåll



3.2 Delar och Funktioner

Översikt



G - Binokulär kamera - Den AI-assisterade binokulära kameran hjälper gräsklipparen att upptäcka och undvika hinder.

H - Laddningselektroder - Laddningselektrodena på maskinen ansluter till dem på laddningsstationens elektroder för att ladda maskinens batteri.

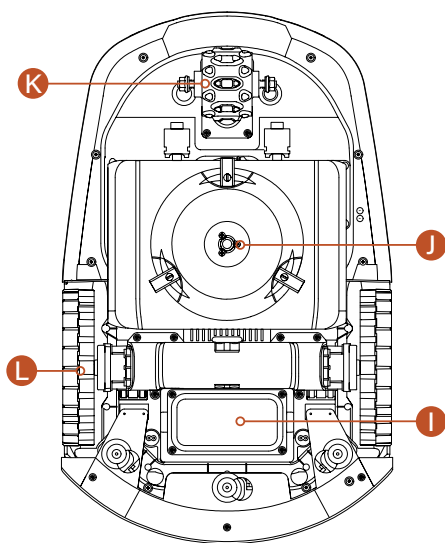
I - Batterifack - Facket för att förvara batteriet.

J - Roterande klippskiva - Enhet för att trimma gräsmattan när maskinen är i drift.

K - Hjulnavmotor - En utmärkt styrenhet och strömkälla för drift.

L - Drivhjul - Effektuttag för rörelse med utmärkta terrängegenskaper.

Undersikt



OBS

Sänk inte ner maskinen i vatten, eftersom detta kan skada komponenterna och ogiltigförklara garantin under den angivna perioden.

A - Kollisionsstötfångare - När visuell positionering inte är tillgänglig kan kollisionsstötfångaren säkerställa maskinens normala drift.

B - LED-lampor - LED-lampor på gräsklipparen indikerar maskinens driftstatus.

C - RTK-positioneringsantenn - Interaktiv positioneringsenhet för RTK-basstationen, maskinen och satelliter.

D - Kontrollpanel - Panelen för att slå på och av maskinens ström; för att styra maskinen att arbeta eller återvända; och så vidare.

E - STOPP-knapp - Nödstoppknapp för att stoppa maskinen vid någon brådskande situation.

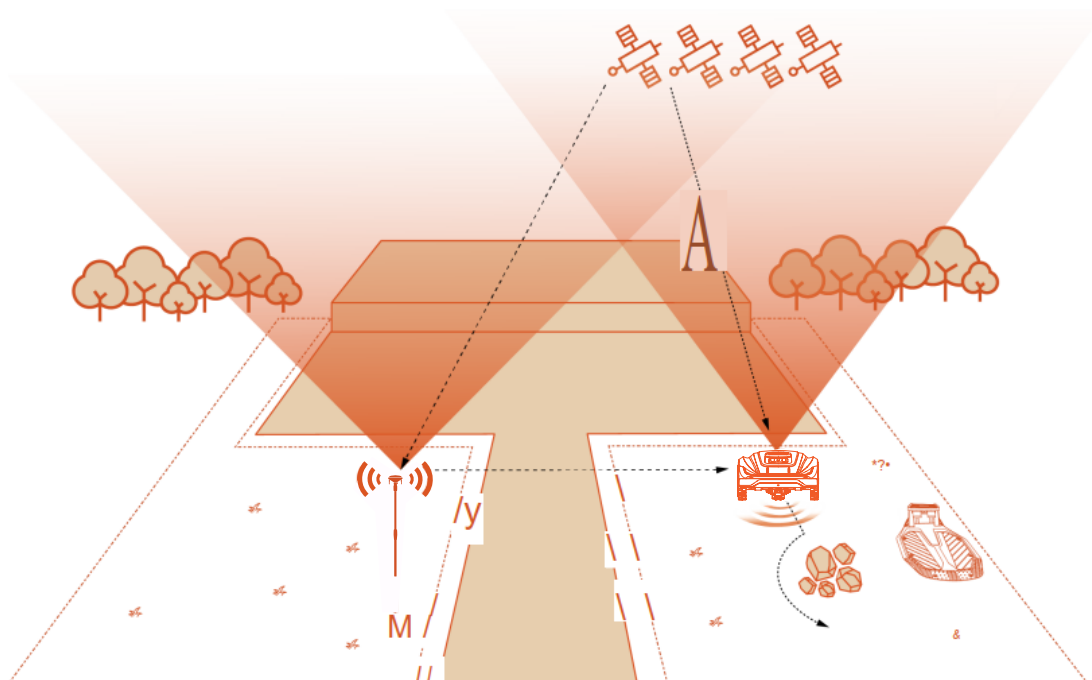
F - Regnsensor - Regnsensorn kan upptäcka regn och maskinen kan automatiskt återvända till laddningsstationen för att undvika regn enligt användarens inställningar.

3.3 Specifikationer

TEKNISK SPECIFIKATION	X5-2000 RMX2000L20V
Gränskabel	Trådlös / gränslös
Maximal klippyta	2000m ²
Minsta/maximala klipphöjd	20-60mm
Höjdjustering	Manual
Klippbredd	22cm
Batterikapacitet	5 Ah
Användargränssnitt	APP & knappsatsdisplay
Maximal lutning	30° (60%)
Robotdimensioner	680*420*275 cm
Certifikat	CE RoHS
Nettovikt	11.8 kg
Ljudkraftsnivå LWA	60dB (A)
Ljudkraft Osäkerheter KWA	3dB(A)
Ljudtrycksnivå LpA	52dB (A)
Ljudkraft Osäkerheter KpA	3dB(A)
EGENSKAPER	
Wifi / Bluetooth	▪
Intelligent kartläggning	▪
Vägplanering	3 alternativ
VSLAM	▪
Super Wifi	▪
FOTA	▪
Snabb återgång till laddningsstation	▪
AWD (hjuldrivna) hjul	3 hjul
Trädgårdskarta i app	▪
Flerzoner	Upp till 8
Arbetschema (inställt i APP)	Automatisk eller manuell inställning via app
Stötsensor	▪
Vattentvätt	▪
Stöldskydd: genom GPS + 4G*	○
Google Assistant & Amazon Alexa	▪
PIN-kod	▪
Lyft- och lutningssensor	▪
Regnsensor	▪
Ekoläge	▪
LED-strålkastare	▪
TILLBEHÖR	
Basmonteringsnaglar	8 st
Laddare	3 A (CGF253)
Strömförsörjning	1.1 A (CGF251)/2 A (CGF152)

4. Installation

RTK-teknik för satellitpositionering i full frekvens hjälper gräsklipparen att skaffa högprecisionspositionsdata. Tillsammans med VSLAM-teknik och Sunseeker AIR (Artificiell Intelligensigenkänning), kan roboten utföra positionerings- och navigeringsuppgifter i olika scenarier, inklusive komplexa miljöer, vilket säkerställer underhåll av gräsmattor av hög kvalitet. Sunseekers avancerade hårdvara och mjukvara (intelligenta algoritmer) förbättrar avsevärt gräsklipparens miljöigenkänning, positioneringsnoggrannhet och övergripande prestanda. Liksom den mänskliga hjärnan bearbetar Sunseekers avancerade algoritmer information från RTK (Real-Time Kinematic), VSLAM (Visual Simultaneous Localization and Mapping), IMU (Inertial Measurement Unit) och odometrar för att optimera miljöigenkänning under olika förhållanden. Sunseeker RTK-teknik, som tar emot satellitsignaler i full frekvens och utför realtidspositionering, möjliggör för användare att ställa in virtuella gränser för sina gräsklippare, vilket eliminerar behovet av traditionella gränskablar. Inom dessa virtuella gränser kan gräsklipparen planera sina klippvägar med hög precision och effektivitet, vilket uppnår optimal klipptäckning.

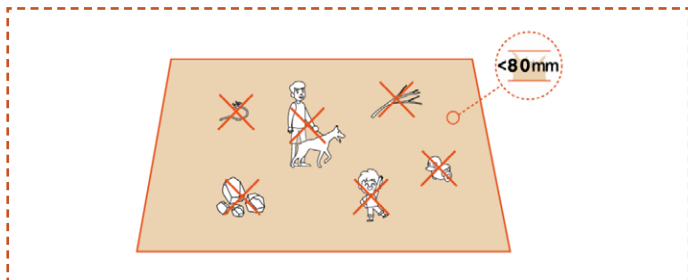


4,1 Förberedelser

Förbered gräsmattan

- A. Rensa bort allt skräp, lövhögar, leksaker, trådar, stenar eller andra hinder.
- B. För att säkerställa säkerheten, se till att barn och husdjur inte befinner sig på gräsmattan.
- C. Klipp din gräsmatta till en höjd av högst 80 mm innan du använder den robotiska gräsklipparen.
- D. Total gräsmattans storlek varierar från 2000 m².

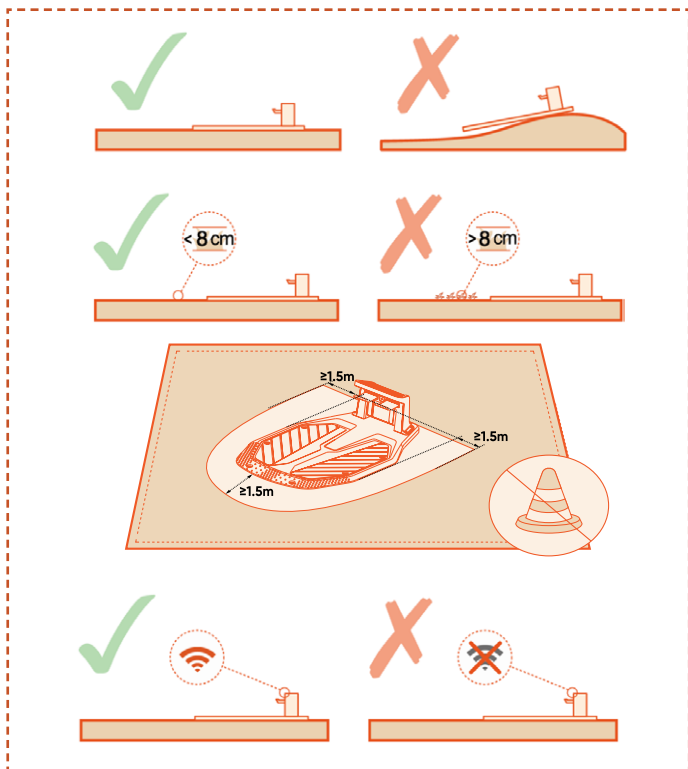
Rekommenderade grästyper visas i bilderna nedan:



4.2 Installera Laddstationen

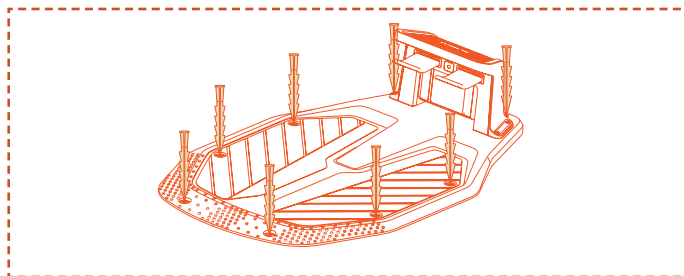
Hitta en lämplig plats

Se till att gräsklipparen framgångsrikt kan lämna och återvända till laddningsstationen, installera laddningsstationen på öppen platt mark täckt av hushålls-WiFi. Det bör inte finnas några hinder inom 1,5 m framför laddningsstationen. Om det finns gräs, bör det vara lägre än 8 cm.

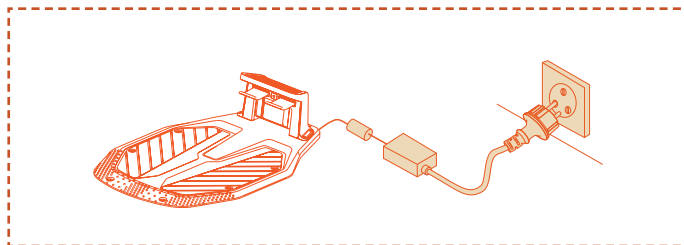


Installera laddningsstationen

- A. Spika fast laddningsstationen på en icke-härdad och plant mark.



- B. Anslut strömkabeln till strömförsörjningen. Om det finns ett avsevärt avstånd mellan laddningsstationen och strömförsörjningen, se till att strömkabeln är säkert fastsatt till marken och väggen för att säkerställa säker drift.

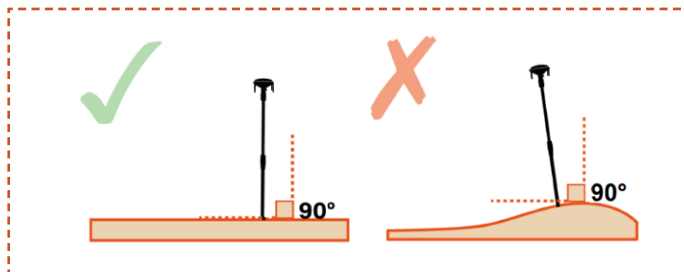


- C. Om full öppenhet på alla sidor inte kan uppnås, håll åtminstone den södra himlen fri när du är på norra halvklotet, eller den norra himlen när du är på södra halvklotet. Försök att hålla östra och västra sidor fria från hinder.

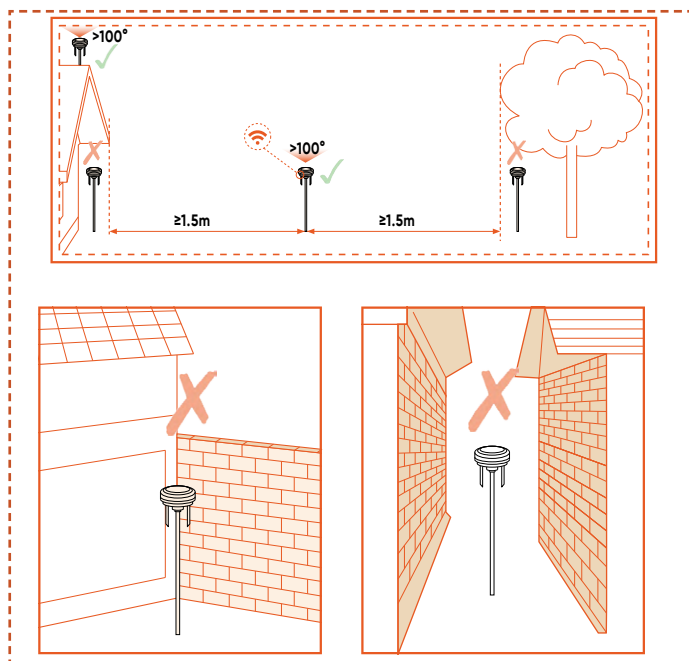
4.3 Installera RTK-Basstationen

Hitta en lämplig plats

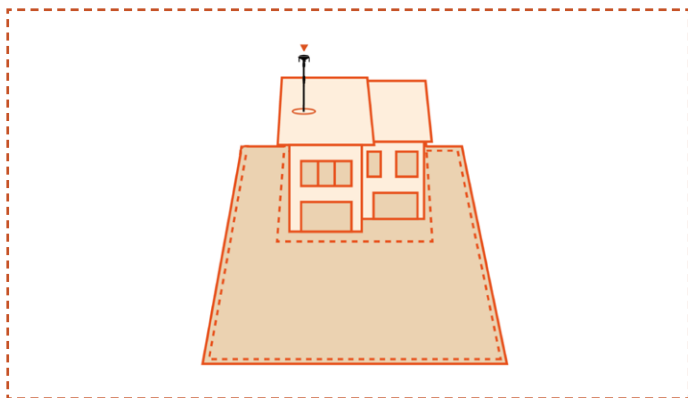
- A. Placera RTK-basstationen upprätt. Undvik att installera RTK-basstationen på en sluttning.



- B. Platsen bör täckas av ditt hushålls-Wi-Fi.
- C. För att säkerställa god mottagning av satellitsignaler, installera stationen på ett öppet och plant utrymme utan något som blockerar signalen, där den har minst 100° klar signalmottagningsvinkel med obehindrad himmel.
- D. Avståndet mellan RTK-basstationen och väggen eller träden måste vara större än 1,5 m.



E. Om du har separata gräsmattor eller om din gräsmatta är formad som bokstaven "O", "U", rekommenderar vi att du installerar RTK-basstationen på taket eller väggen.



F. Om full öppenhet på alla sidor inte kan uppnås, håll åtminstone den södra himlen fri när du är på norra halvklotet, eller den norra himlen när du är på södra halvklotet. Försök att hålla östra och västra sidor fria från hinder.

Installera RTK-basstationen

- Använd spikar för att installera RTK-basstationen på en plats med en tillgänglig strömkälla.
- Anslut förlängningskabeln och laddaren till RTK-basstationen
- Koppla in RTK-basstationen i strömkällan.

Kontrollera satellitsignalen



Indikatorlampa för plats

- Fast grön: Bra satellitsignal på denna plats.
- Fast orange: Svag satellitsignal på denna plats; det rekommenderas att installera om basstationen på en plats med bättre signal, fri från hinder.
- Fast röd: Mycket svag satellitsignal på denna plats; du måste installera om basstationen på en plats med bättre signal, fri från hinder

Wi-Fi-indikatorlampa

- Fast grön: Wi-Fi är anslutet och serveråtkomst etablerad
- Blinkande grön: Wi-Fi ansluter eller är inte anslutet till servern
- Ingen grön lampa: Wi-Fi är inte anslutet

Super Wi-Fi-indikatorlampa

- Fast grön: Normal kommunikation
- Blinkande grön: Parning pågår
- Ingen grön lampa: Kommunikationsavvikelse

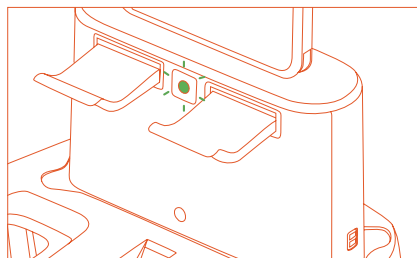
Indikatorlampa för ström

- Fast grön: Strömavvikelse
- Blinkande grön: Normal ström
- Ingen grön lampa: Ingen ström

4.4 Ladda och Aktivera Klipparen

Ladda gräsklipparen

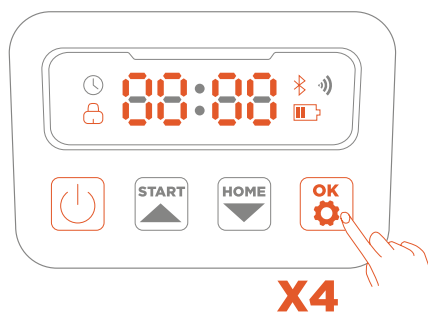
Tryck gräsklipparen in i laddningsstationen, se till att laddningselektroden ansluter korrekt. Det gröna ljuset på laddningsstationen som blinkar indikerar normal laddning.



Aktivera gräsklipparen

- Håll inne strömbrytaren och ange lösenordet. Standard-PIN-koden är "0000". Tryck OK varje gång du matar in 0 för att slutföra inställningsprocessen.
- När du anger lösenordet kan du använda START-knappen som plustecken (+) och HOME-knappen som minustecken (-).

C. Om du vill ändra lösenordet, håll inne start- och hemknappen samtidigt för att ändra lösenordet.



Obs

Om indikatorlampan förblir avstängd även när ström tillförs korrekt, vänligen kontakta kundsupport.

! Försiktighet

- Tappa inte laddare på marken inom de virtuella gränserna.
- Om laddningsstationen är installerad inom de virtuella gränserna, säkra förlängningskabeln till marken för att säkerställa korrekt drift av gräsklipparen.

! VARNING

- LADDA INTE om maskinen, laddaren, laddningsstationen eller eluttaget är skadat.
- LADDA INTE gräsklipparen när temperaturen är över 40 °C (104 °F) eller under 5 °C
- Avbryt omedelbart laddningen om en onormal lukt, ljud eller ljus uppstår.
- Undvik att ladda nära brandfarliga eller explosiva material.

4.5 Appanslutning

OBS

Illustrationerna nedan om appen är endast avsedda för demonstrationsändamål. Tillgängliga alternativ kan variera beroende på mjukvaruversion.

Hur man använder Sunseeker-appen

A. Se till att maskinen är på laddningsstationen och laddar korrekt.

B. Skanna QR-koden för att ladda ner Robotgräsklippare-appen, eller sök efter "Robotgräsklippare" i Google Play Store (Android) eller Apple App Store (iOS) för att slutföra installationen.



iOS



Android



C. Skapa ett nytt konto och logga in. Slå på telefonens Bluetooth och Wi-Fi. Skanna maskinens SN QR-kod för att lägga till din robotiska gräsklippare. A. Efter framgångsrik parning, ange standardmaskinlösenordet 0000. Lösenord kan ändras på telefonen.

D. Konfigurera ditt Wi-Fi för maskinen i appen. B. Maskinen måste vara ansluten till samma Wi-Fi som din mobiltelefon. Ange ditt hem-WiFi-namn och lösenord.

E. Anslut till Wi-Fi. När anslutningen är framgångsrik. När anslutningen är framgångsrik tänds Wi-Fi-ikonen på roboten och appen.

F. Namnge din robot.

OBS

Vid behov kommer appen att begära tillgång till Bluetooth och Wi-Fi-nätverk för att säkerställa korrekt installation och framtida funktionalitet, ge tillgång till dessa funktioner.

Använd Robotgräsklippare-Appen för att

A. Bind och aktivera gräsklipparen.

B. Skapa en karta (arbetsområde).

C. Övervaka status och arbetsframsteg för gräsklipparen och fjärrstyra dess operationer som att starta, stoppa eller återvända till laddningsstationen.

D. Visa och ändra inställningar för gräsklipparens arbete (klippningsschema, klipphöjd, korthandtering).

E. Visa och ändra säkerhets-/funktionsinställningar för gräsklipparen (PIN, bladhållning, etc.).

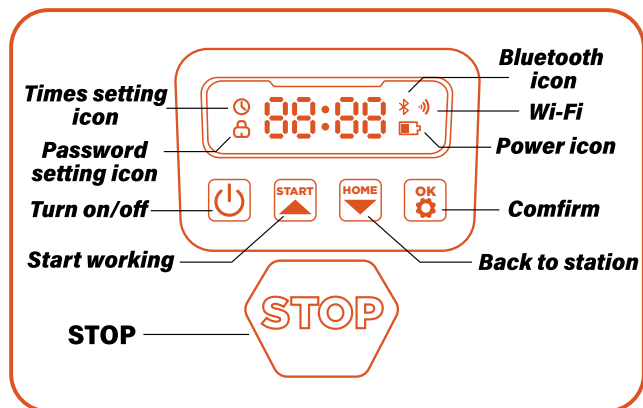
F. Visa eller uppdatera enhetens firmwareversion, visa nätverkslänkstatus.

G. Avbind, ändra eller lägg till enheter.

H. Få hjälpinformation och efterförsäljningsstöd.

5. Daglig Drift

5.1 Display och Kontroll på Klipparen Display



Strömikon: Batterikraftikonen visar maskinens återstående kraft. Denna ikon som visar 1 stapel indikerar att kraften är 30 % eller mindre, visar 2 staplar indikerar att den återstående kraften är mellan 31-66 %, och visar 3 staplar indikerar kraft på 67 % och högre.

Wi-Fi-ikon: Wi-Fi-ikonen indikerar om maskinen är framgångsrikt ansluten till Wi-Fi eller inte.

Bluetooth-ikonen: Bluetooth-ikonen visar om maskinen är framgångsrikt ansluten till Bluetooth eller inte.

Tidsinställningsikonen: Tidsinställningsikonen visar att maskinen har gått in i läget för tidsinställning.

Lösenordsinställningsikonen: Låsikonen som lyser upp indikerar att du behöver ange lösenordet eller ändra maskinens lösenord.

Instrumentbrädans display: Instrumentbrädans display visar de olika tillstånden och lägena som maskinen är i:

- . **viloläge:** Maskinen är i standby-läge och det finns inga uppgifter som utförs just nu.
- . **Köriljus:** Maskinen är i arbetsläge. Vid denna tidpunkt roterar skivan med hög hastighet. Håll dig borta från den.
- . **----**: När regnfördröjningen är aktiverad, känner maskinen att det regnar just nu, avslutar det aktuella arbetet och återvänder till laddningsstationen.
- . **stopp:** Nödstoppknappen trycktes på maskinen.

Grundläggande Kontroll

Slå på: Tryck och håll ned strömbrytaren i 2 s.

Stäng av: Tryck och håll ned strömbrytaren i 3 s.

Gräsklipparen kan inte stängas av när den är i laddningsstationen. När gräsklipparen är avstängd kommer du att se ordet "bye" visas på instrumentbrädan och sedan stängs skärmen av.

Börja arbeta/Slå på: Tryck på START-knappen och sedan OK.

Återvänd till stationen/Stäng av: Tryck på HOME-knappen och sedan OK.

Stoppa gräsklipparens drift: Tryck på STOPP.

Starta om gräsklipparen: Tryck och håll ned strömbrytaren i 10 sekunder för att stänga av maskinen, slå sedan på den igen eller tryck direkt maskinen in i laddningsstationen och anslut den till laddningselektroden på stationen.

5.2 Ändra PIN-koden

Om gräsklipparen är i låst status, ange PIN-koden innan du manuellt hanterar gräsklipparen. Standardkoden kan ändras via Robotic Mower-appen.

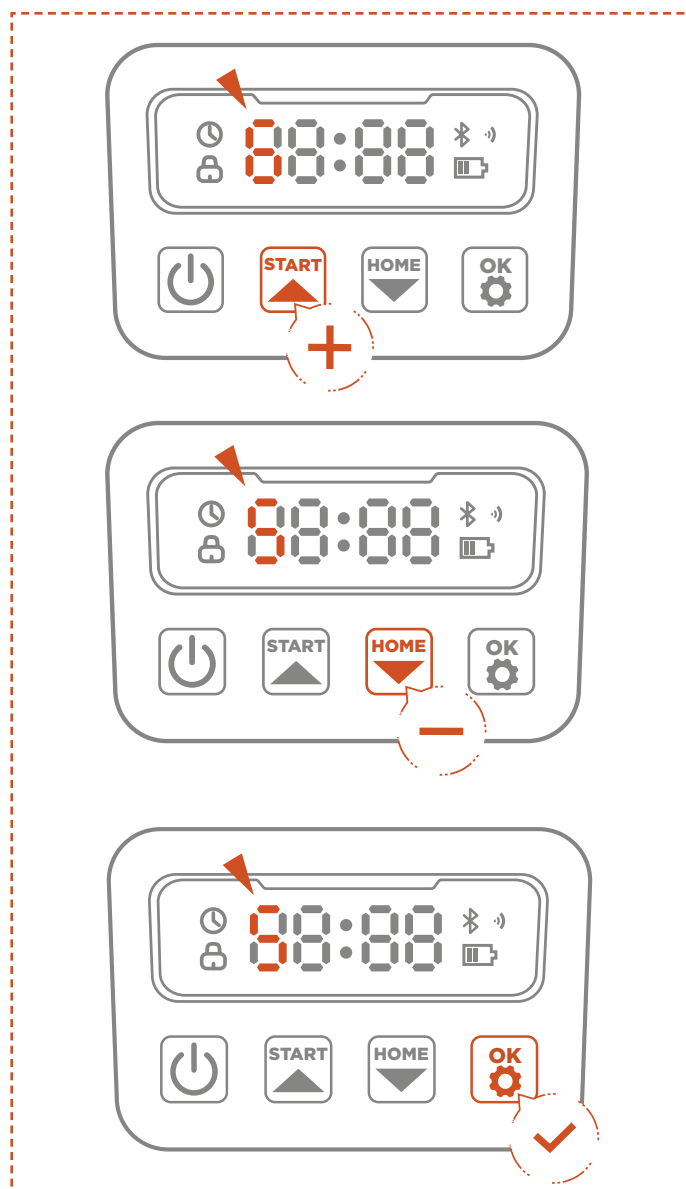
A. Tryck och håll ned START- och HEM-knapparna i 3 sekunder.

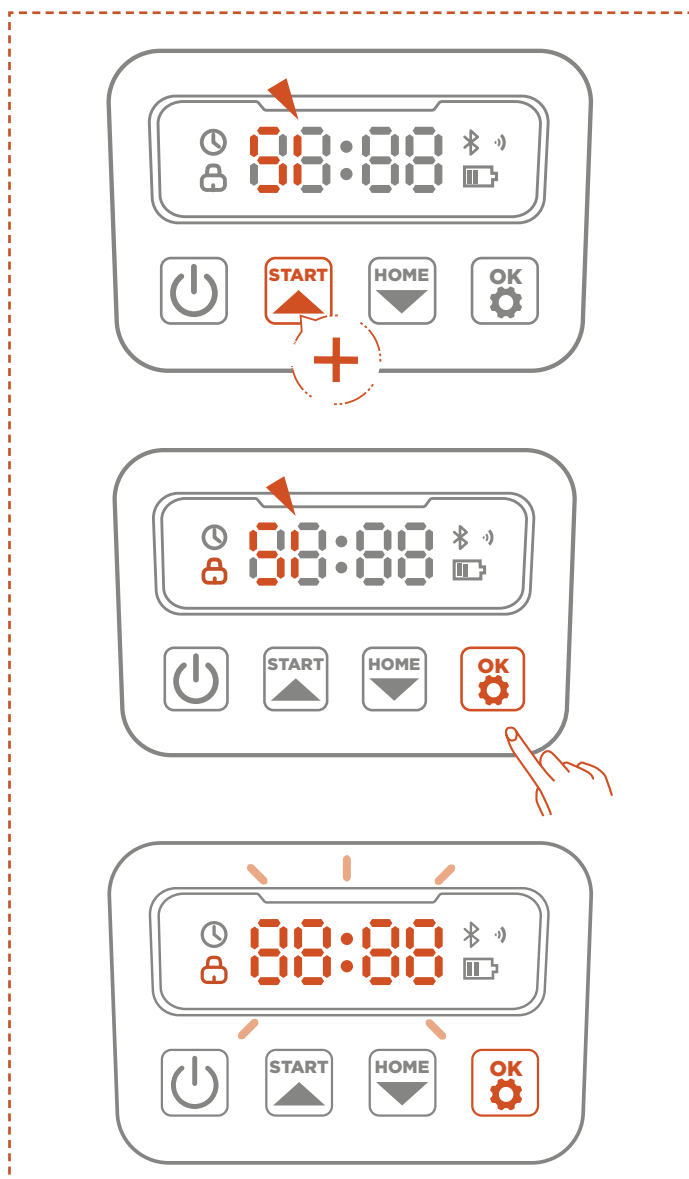
B. När PIN1 visas, och efter att "0---" visas, ange det gamla lösenordet.

C. När PIN2 visas, och efter att "0---" visas, ange det nya lösenordet. Tryck OK för att bekräfta.

Obs

Om pinkoden är felaktigt angiven kommer displayen att visa "ERR".





5.3 IoT

Plattform X är en enhet för sakernas internet (IoT). Anslut gräsklipparen till internet via mobilnätverk eller ditt Wi-Fi-nätverk, vilket möjliggör följande funktioner:

- A.** Firmwareuppdateringar över luften (OTA), håll din gräsklippare uppdaterad med de senaste funktionerna.
- B.** Aktivera fjärrstyrning via nätverket:
starta klippning, stoppa klippning, återvänd till laddningsstationen, ställ in klippschema, ställ in klipphöjd och andra funktioner.
- C.** Fjärrövervaka klippprocessen och gräsklipparens plats.
- C.** Rapportera felkoder och gräsklipparens status via nätverket.

Wi-Fi

Plattform X använder Wi-Fi för att ansluta till ett nätverk. Se Wi-Fi-inställning för mer information.

OBS

- Plattform V stöder endast 2,4 GHz Wi-Fi-nätverk.
- Om du använder en iOS-enhet kan gräsklipparen endast ansluta till det Wi-Fi som din mobilenhet är ansluten till. Följ instruktionerna i appen. Anslut din mobilenhet till Wi-Fi först, anslut sedan gräsklipparen till samma Wi-Fi. Det finns inga sådana krav för Android-enheter.

Firmwareuppdateringar

Vi kommer att fortsätta uppdatera gräsklipparens firmware. Om det finns en ny version av firmwaresen kommer du att få ett popup-meddelande i appen. Det rekommenderas att du uppdaterar så snart den senaste firmwaresen är tillgänglig.

När du uppdaterar firmwaresen måste följande villkor vara uppfyllda:

- Maskinen är på laddningsstationen.
- Nätverket är anslutet.
- Batterikraften är mer än 30 %.
- Det finns ingen klippplan inom en timme.

Under uppdateringsprocessen kommer det omgivande ljuset på gräsklipparen att blinka blått. Du kan se uppdateringsframstegen i din app. Efter att uppdateringen är slutförd kommer det omgivande ljuset på gräsklipparen att bli grönt.

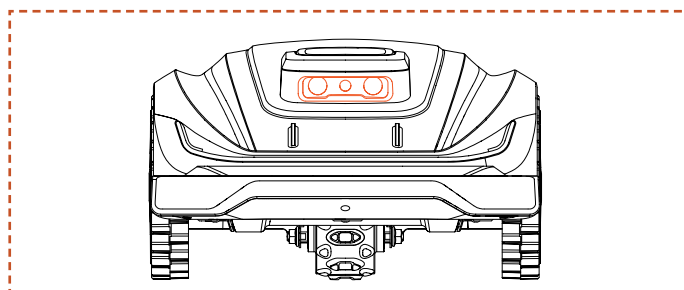
! VARNING

- FLYTTA INTE gräsklipparen under uppdateringsprocessen.

5.4 Hinderundvikande

Binokulär kamera

Binokulär kamera är en del av standardutrustningen för Plattform X. De är designade för visuell gränsdetektering, tidig hinderundvikning och visuell igenkänning av QR-koder under laddningsprocessen, vilket gör gräsklipparen intelligenta.



OBS

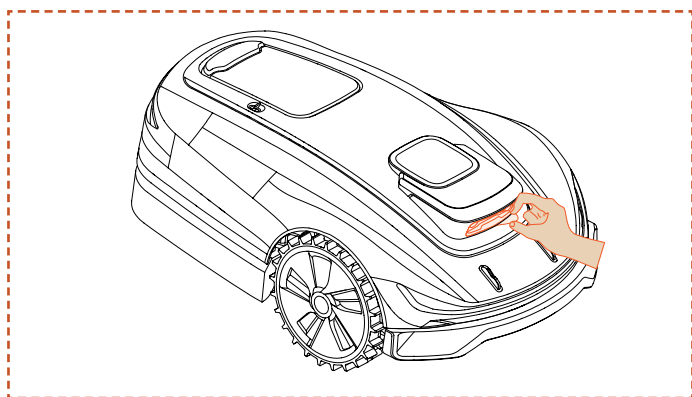
- Att arbeta i mörka miljöer kan påverka maskinens förmåga att snabbt och korrekt känna igen hinder för att undvika dem. Det rekommenderas att inte använda maskinen på natten.
- Om det finns för många hinder på din gräsmatta, överväg att sätta upp no-go zoner runt dem eller ta bort några av hindren för att förbättra maskinens effektivitet.

Artificiell intelligensigenkänning

Sunseeker AIR (Artificiell Intelligensigenkänning) omdefinierar säkerhet och trygghet med proprietär kamerabaserad VSLAM och Sunseeker AIR, vilket erbjuder ett bredare synfält (FOV) för att upptäcka hinder, förutse deras närvaro och skickligt ändra gräsklipparens väg för att undvika dem. Hinderundvikningsfunktioner är utformade för att öka prestandan hos din gräsklippare och förbättra din säkerhet.

Stötfångarsensor

Sensorer är installerade inuti Plattform X för att upptäcka hinder. När stötfångaren stöter på ett hinder och utlöser sensorn, kommer gräsklipparen att backa och undvika hindret.



OBS

- Din Plattform X kan undvika objekt efter att ha stött på dem. Det rekommenderas dock att ta bort överflödigt skräp innan klippning.

6. Underhåll

- A.** Upplev överlägsna klippresultat och förläng livslängden på din gräsklippare med underhåll.
- B.** Regelbunden inspektion och underhåll av en vuxen varje vecka är nödvändigt för att säkerställa maskinens optimala prestanda.
- C.** Skydda ditt välbefinnande genom att följa säkerhetsriktlinjerna: undvik att utföra underhåll medan du bär öppna sandaler eller är barfota.
- D.** Prioritera alltid säkerheten genom att bära långa byxor och arbetsskor under gräsklipparservicen.
- E.** Byt ut eventuella skadade eller slitna delar omedelbart för att garantera smidig drift.

ENDAST auktoriserade servicetekniker får öppna och försegla chassifacket som finns bakom stötfångaren. Den begränsade garantin kan bli ogiltig om du utför egna reparationer.

NOTIS: FÖRSÄKRING

Du kanske inte är täckt för olyckor som involverar denna produkt enligt dina försäkringspolicys. Ta kontakt med din försäkringsgivare eller agent för att ta reda på om täckning erbjuds.

6.1 Rengöring

- A.** Stäng av gräsklipparen.
- B.** Använd en mjuk borste eller trasa för att noggrant rengöra utsidan, undvik alla korrosiva lösningsmedel som alkohol, bensen eller acetone. Dessa ämnen kan skada både estetiken och de inre komponenterna på din gräsklippare.

OBS

- För sömlös dockning är det avgörande att regelbundet undersöka och rengöra laddningsstationen från eventuella skräp eller leransamlingar.
- Se till att alla anslutande delar av laddningsstationen, förlängningskabeln och strömförsörjningen är fria från hinder för optimal prestanda.

Chassi och bladdisk

- A.** För att rengöra chassit och bladdisken rekommenderas att använda en borste eller en vattenslang.
- B.** Använd inte en högtryckstvätt då det kan orsaka skador.
- C.** Se till att bladdisken roterar smidigt och att bladen kan svänga utan några begränsningar.

⚠ FÖRSIKTIGHET

- Högt tryck från vatten kan läcka in i tätningarna och skada elektroniska och mekaniska delar.

Hjul

Gräs på hjulen kan försämra prestandan hos gräsklipparen när den klättrar i sluttningar. Använd borsten för att avlägsna lera eller andra föremål för att säkerställa ett bra grepp.

Regnsensor

A. Kontrollera regnsensorn en gång i månaden och se till att den inte täcks av lera, gräs eller andra föremål.

B. Tvätta av lera, gräs eller andra föremål eller använd en mjuk borste för att rengöra den.

C. Torka av sensorns område efter rengöring för att förhindra att den utlöses som den skulle av regn.

Kamera

Rengör kameran regelbundet för att hålla den ren.

VARNING

- Se till att gräsklipparen är avstängd innan rengöring.
- När gräsklipparen är upp och ned, stäng av den.

6.2 Byta blad

För förbättrad klippningsprestanda och säkerhet rekommenderas att byta gräsklipparens skruvar och blad varje 1-2 månader om den används ofta. För ett säkert skärsystem, byt alla blad tillsammans med deras skruvar samtidigt. - Se avsnitt "Specifikation - tillbehör" för delar som kan användas.

VARNING

- När du inspekterar eller serverar bladet, använd tjocka handskar.
- ÅTERANVÄND INTE skruvarna. Allvarliga skador kan resultat från att göra detta.
- Vi rekommenderar starkt att använda korrekta skruvar och originalblad som har sålts av oss. (NO.80201457).

Hur man byter bladen

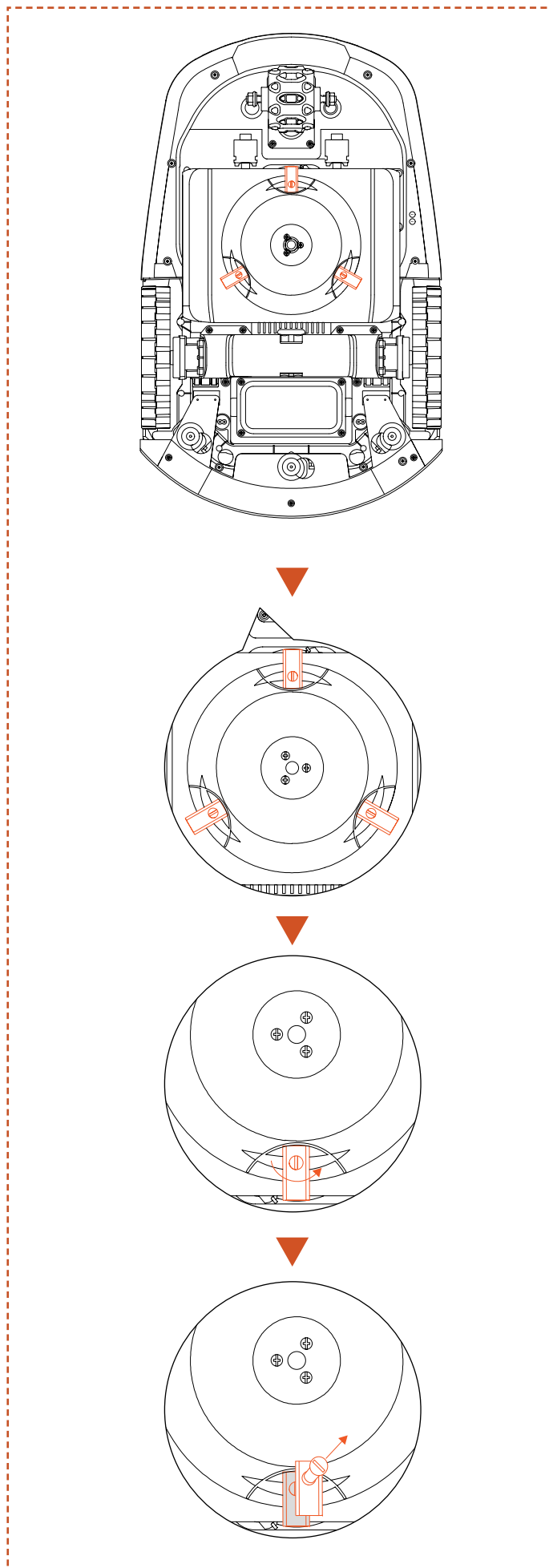
A. Stäng av gräsklipparen.

B. Ställ gräsklipparen upp och ned på en fläckfri, mjuk yta för att undvika repor.

C. Använd en stjärnskruvmejsel för att lossa skruvarna.

D. Ta bort skruvarna och bladen.

E. Fäst de nya bladen och skruvarna (Vridmoment: 1.0+0.2 N.m). Se till att bladen kan svänga fritt.



OBS

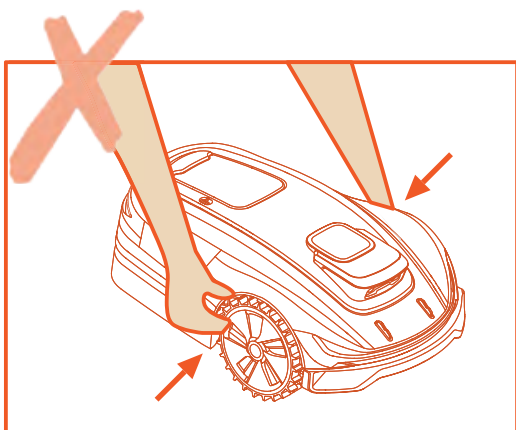
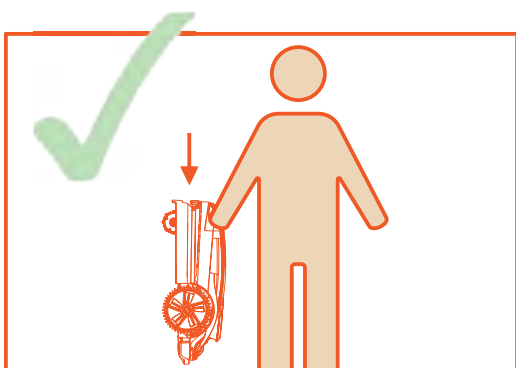
- Byt ut skruvarna med ett standardvridmoment på 1.0+0.2 N.m. Felaktigt vridmoment kan leda till onödiga problem.
- Se till att gräsklipparen är avstängd och kontrollera bladen för korrekt tillämpning. Kontrollera om onormala ljud eller skakningar förekommer.

6.3 Transport

Se till att säkerheten för gräsklipparen under långdistans transport genom att använda den originalförpackningen. Innan lyft, flyttning eller transport av produkten, se till att den är avstängd. Hantera varsamt och undvik våldsam kraft, såsom kastande och hårt tryck. Lyft eller bära aldrig gräsklipparen medan motorn är igång.

Hur man flyttar eller lyfter korrekt

Bär gräsklipparen i handtaget. Håll bladdisken bortvänd från din kropp.



6.4 Batteri

- A.** Ladda batteriet fullt innan förvaring för att förhindra överurladdning och skada på de elektriska delarna.
- B.** Den begränsade garantin skyddar inte mot skador på batteriet från överurladdning.
- C.** LADDA INTE batteripaketet vid lufttemperaturer under 5 °C eller över 40 °C.
- D.** Om batteripaketet laddas när lufttemperaturen ligger

mellan 18 °C och 25 °C, kan det förlänga dess livslängd och förbättra dess prestanda.

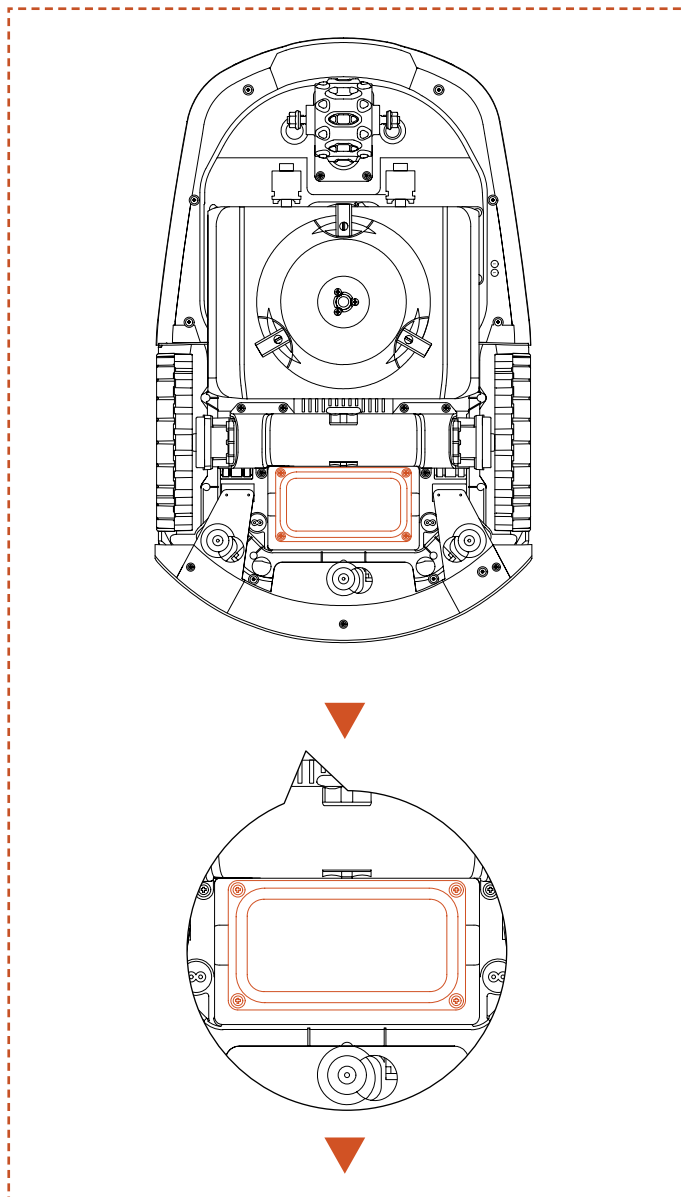
- E.** Batteripaketet presterar bäst när det används vid normal rumstemperatur (20 °C±5 °C).

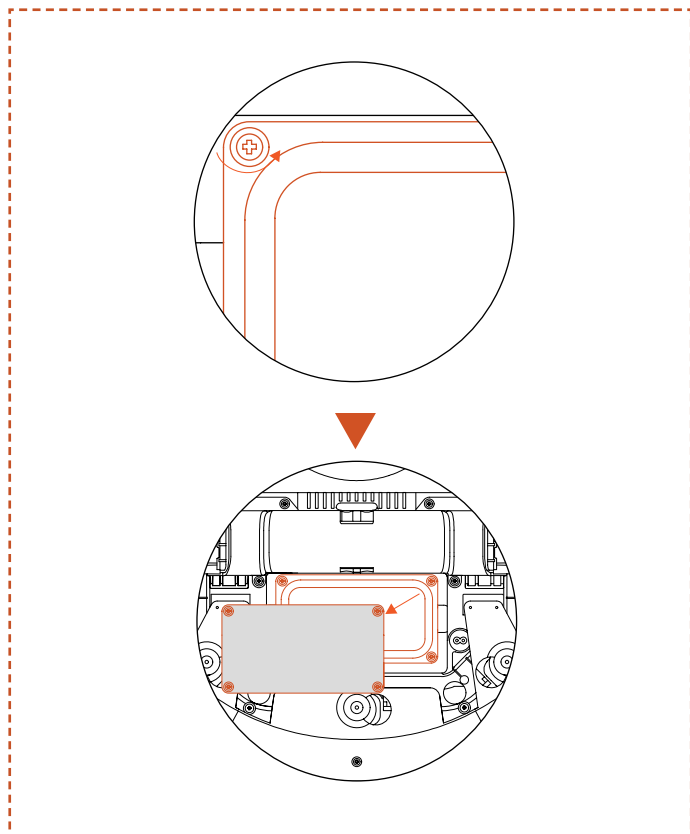
OBS

- Batteriets livslängd beror på hur ofta produkten används och de totala arbetstimmar. När driftstiden är avsevärt kortare än vanligt per full laddning eller gräsmattan inte är välklippt, rekommenderas det att byta ut batteriet.

Hur man byter batteri

- A.** Stäng av gräsklipparen.
- B.** Placera gräsklipparen upp och ned på en fläckfri, mjuk yta.
- C.** Lossa de 4 skruvarna som håller batterifacket på plats med en stjärnskruvmejsel.
- D.** Koppla från kontakten.
- E.** Ta ut batteripaketet och byt ut det mot ett nytt.





! VARNING

- Använd endast det ursprungliga batteripaketet eller ett av samma modell som specificerats av SUNSEEKER. Varje gräsklippare innehåller ett batteripaket.
- Beroende på den specifika gräsklipparmodellen är den angivna kapaciteten för batteriet 5000 mAh eller 10000 mAh.
- Använd inte icke-uppladdningsbara batterier. För laddning av batteriet, använd endast den avtagbara strömenheten som medföljer denna produkt.
- Undvik att bryta eller demontera batterihöljet. Undvik kontakt med metallföremål för att förhindra kortslutning. Håll dig borta från värmekällor, eld och direkt solljus.
- Kontakta din försäljningspunkt, ditt lokala eller regionala avfallsförvaltningskontor eller din tjänst för avfallshantering av hushållsavfall för mer information om batteri- och elavfall.
- Det är inte meningen att batterifacket ska öppnas ofta. Endast om ett nytt batteri behövs ska du öppna batterifacket.
- Batteripaketet innehåller elektrolyter. Om det läcker elektrolyt och kommer i kontakt med din hud, tvätta omedelbart av med tvål och vatten. Sök medicinsk hjälp om det kommer i ögonen och spola omedelbart ögonen med mycket vatten i minst 15 minuter utan att gnugga.

6.5 Strömförsörjning

Koppla från strömförsörjningen:

- A.** Innan du rensar en blockering.
- B.** Innan du kontrollerar, rengör eller arbetar på maskinen.
- C.** Efter att ha slagit på ett främmande föremål för att inspektera maskinen för skador.
- D.** Kontrollera regelbundet sladden, kontakten, höljet och andra delar. Om någon skada eller tecken på åldrande hittas, sluta använda omedelbart.

! VARNING

- ANVÄND ALDRIG en skadad strömförsörjning för drift. För att förhindra en fara måste den skadade strömkabeln bytas ut av tillverkaren, dess serviceagent eller andra lämpligt kvalificerade personer. Om förlängningskabeln är defekt, byt ut den mot en 10 m kabel godkänd av SUNSEEKER.
- RÖR ALDRIG en förlängningskabel eller skadad sladd innan den har kopplats från strömkällan eller kopplats till strömförsörjningen. En skadad sladd kan orsaka kontakt med elektriska komponenter.
- Strömförsörjningen bör inte användas med någon annan enhet eller batteri eftersom detta ökar risken för elektrisk stöt, brand eller personskada. Om du använder något annat än originalbatterier kan produktsäkerheten inte garanteras.
- LADDA INTE när batteriet läcker.
- Håll förlängningskabeln borta från rörliga farliga delar för att undvika skador på sladdarna som kan leda till kontakt med strömförande delar.

Rekommendation

Anslut gräsklipparen och/eller dess tillbehör endast till en försörjningskrets skyddad av en jordfelsbrytare (RCD) med en utlösningssström på inte mer än 30 mA.

6.6 Förvaring

- A.** Se till att gräsklipparen är fulladdad och avstängd innan den förvaras för att förhindra överurladdning, vilket kan resultera i permanent skada.
- B.** Förvara på en torr, sval plats inomhus. Exponering för solljus och extremtemperaturer (antingen varma eller kalla) kommer att påskynda åldringsprocessen för komponenter och kan orsaka permanenta skador.
- C.** Håll kemikalier och värmekällor (spisar, element etc.) borta från gräsklipparen, laddningsstationen och strömförsörjningen.
- D.** Förvara strömförsörjningen på ett ställe med god ventilation och skydda den från fukt.

VARNING

- Dra ut strömförsörjningen ur eluttaget om ett åskväder förutspås. Koppla från alla sladdar och kablar som är anslutna till laddningsstationen. Återanslut när det inte längre finns någon möjlighet till åskväder.

Extra krav för vinterförvaring

Gräsklipparen:

- A. Rengör gräsklipparen noggrant innan förvaring.
- B. Kontrollera komponenter som utsätts för slitage såsom bladen.
- C. Reparera eller byt ut dem om de är i dåligt skick.
- D. Förvara gräsklipparen på ett torrt och frostfritt ställe, stående på alla hjul, helst i originalförpackningen.

Laddningsstationen:

- A. Koppla från laddningsstationen och dra ur strömförsörjningen från eluttaget.
- B. Håll laddningsstationen borta från direkt solljus och ta in den inomhus.

6.7 Återvinning och Avyttring vid Livets Slut

Denna produkt är INTE hushållsavfall. Kontakta din kommun, försäljningsställe eller tjänst för avfallshantering av hushållsavfall för information om återvinning.

VARNING

- Denna produkt ska inte kastas på en soptipp, brännas upp eller blandas med vanligt hushållsavfall. Elektriska komponenter kan orsaka fara eller allvarliga skador.

7. FAQ och Felsökning

7.1 Felmeddelande

Felkod	Betydelse	Möjlig orsak
E1	Robot utanför arbetsområdet	Hur löser man "Robot utanför arbetsområdet"?
E2	Hjulmotorn blockerad	hjulmotorn är fast
E3	fel på klippmotorn	Klippmotorn är fast
E4	Robotstötfångaren fast	1. För många hinder 2. Kontrollera om stötfångaren är på rätt plats.
E5	Robot lyft	Kontrollera om maskinen har lyfts
E6	Robot lutning	Kontrollera om maskinen är placerad på ojämn mark.
E7	Vinkelsensorn aktiveras ofta	Kontrollera om maskinen är placerad på ojämn mark.
E8	Misslyckades med att docka på laddningsstationen under laddning	Hur löser man felet "Misslyckades med att docka på laddningsstationen under laddning"?
E9	Robot fast	1. Kontrollera om det finns för många hinder runt maskinen 2. Roboten gick in i ett trångt utrymme och kunde inte komma ut 3. Gräsklipparen slirar
E10	Uppgradering misslyckades	1. Kontrollera om Wi-Fi-signalen är mycket svag 2. - Kontrollera om maskinen laddas på en laddningsstation
E12	Fel på batterispänning	1. Placera maskinen på laddningsstationen för att se om den kan laddas fullt 2. För hög laddningsström 3. För lång laddningstid 4. Batterispänningen för hög eller för låg
E13	Laddningsfel	Defekt laddare
E14	Den aktuella kartytan är för stor och överskrider robotens maximala arbetsområde	Bygg en ny karta inom produktens nominella kapacitetsområde
E15	Bakre hjulmotor/styrmotor fel	Bakre hjulmotorn/styrmotorn är fast
E16	Fel på lyftmotorn	Lyftmotorn är fast
E17	Kan inte hitta laddningsstationen	Hur löser man felet "Misslyckades med att docka på laddningsstationen under laddning"?
E18	Lågt batteri	Maskinen kanske inte kan återvända till laddningsstationen för normal laddning på grund av något fel. Flytta manuellt till laddningsstationen för laddning
E19	Anslutningen misslyckades	1. Det finns 4 QR-koder på maskinens baksida, och när du lägger till en maskin måste du välja den första QR-koden. 2. Kontrollera om Bluetooth på telefonen är påslagen och om den är inom en meters avstånd från maskinen. 3. Har du angett rätt startlösenord, som standard är 0000 4. Är wifi 2.4GHz? 5. Är Wi-Fi-lösenordet korrekt?

Felkod	Betydelse	Möjlig orsak
E21	RTK-initiering misslyckades	1. Kontrollera om basstationen är korrekt installerad och om det finns hinder. 2. Kontrollera om maskinen är blockerad 3. Kontrollera om det finns några stora hinder som blockerar signalen mellan basstationen och maskinen
E22	Fel på främre kameran	Kontrollera om kameran är blockerad
E23	Tom kartfel	Vänligen skapa en karta innan start
E24	RTK-basstationssignal förlorad	1. Kontrollera om basstationen är påslagen 2. Kontrollera om basstationen är korrekt installerad Hur man installerar RTK-stationen 3. Kontrollera om det finns något hinder mellan basstationen och maskinen 4. Försök att återansluta till basstationen
E25	Kartläggning misslyckades	1. Kontrollera om kartan är stängd 2. Kontrollera om maskinen har en bra wifi-anslutning
E26	RTK-kalibrering misslyckades	Hur löser man felet "RTK-kalibrering misslyckades"?
EE	Support från återförsäljare behövs	1. Dålig kontakt på batteriplattan 2. Fel på displaykortet 3. Fel på gränssnittskortet 4. Fel på multifunktionskortet 5. Hårdvarufel 6. Andra fel
BP	Fel på batteritemperatur	1. Kontrollera om omgivningstemperaturen är för hög 2. Kontrollera om omgivningstemperaturen är för låg
LÅST	Låst. Försök igen efter 10 minuter.	1. Vänligen ange rätt lösenord 2. Om du glömmer ditt lösenord kan du återställa det till 0000 genom att återställa fabriksinställningarna via appen 3. Om den mobila appen inte är ansluten till maskinen, vänligen kontakta kundtjänst
STOPP	Manuellt stopp	STOPP-knappen är tryckt

Instruktioner för hur man ska gå tillväga vid onormala vibrationer:

- A. Stäng av maskinen.
- B. Vänd maskinen 180 grader.
- C. Kontrollera skicket på bladen för skador eller funktionsfel.
- D. Det rekommenderas att byta ut alla tre blad.
- E. Vänd tillbaka maskinen för att börja arbeta.

7.2 Felsökning

Om du stöter på några problem relaterade till produkten eller appen, vanliga frågor och problem, kolla FAQ-artiklarna på Sunseekers officiella webbplats (<https://support.sunseeker-elite.com>) eller från avsnittet "Hjälp och feedback" i appen.

8. Viktig Information

8,1 Datasekretess

Behandling av personuppgifter inom Plattform X

• Vem och varför?

När du registrerar dig för och använder Sunseekers PlattformX, kommer Sunseeker (eller "vi"), som ansvarig, att behandla dina personuppgifter. Vi kommer att behandla dina personuppgifter för att:

1. Erbjuder dig anslutning till Plattform X eller göra dig ett erbjudande om sådan tjänst. Den rättsliga grunden är att behandlingen är nödvändig för fullgörandet av avtalet som du har ingått med oss, eller för att vidta åtgärder innan ett avtal ingås med oss.
2. Vidareutveckla och förbättra våra produkter och tjänster. Den rättsliga grunden är vårt legitima intresse av att utveckla och förbättra våra produkter och tjänster.
3. Möjliggöra anslutning av Plattform X (Internet of Things): använda partnerintegrationer (till exempel smarta assistenter, inklusive röstaktiverade enheter); använda anslutningsplattformar för att koppla Plattform X till tredjepartsenheter, appar och tjänster; och bygga din egen smarta hemintegration. Den rättsliga grunden är att behandlingen är nödvändig för fullgörandet av avtalet som du har ingått med oss.
4. Ge dig relevant information relaterad till din Plattform X-upplevelse. Den rättsliga grunden är vårt legitima intresse att hålla dig informerad om dina specifika produkter och tjänster och dess funktioner.
5. Ge dig support och felsökning avseende Plattform X. Den rättsliga grunden är att behandlingen är nödvändig för fullgörandet av avtalet som du har ingått med oss.

Om du har gett oss ditt samtycke (i vilket fall den rättsliga grunden är ditt samtycke), kan vi också behandla dina personuppgifter för följande ändamål:

1. Skicka anpassade annonser och nyhetsbrev om våra produkter och tjänster.
2. Skicka dig kundundersökningar och analysera den information du tillhandahåller som ytterligare detaljerat i sådan kommunikation.

Dina uppgifter kommer att behandlas så länge det krävs av Sunseeker för att uppfylla ovan nämnda syften, men under inga omständigheter längre än vad tillämpliga lagar tillåter.

• Vilka personuppgifter behandlar vi?

Vi kan behandla följande personuppgifter:

1. Personuppgifter: förnamn och efternamn, nationalitet, språkpreferenser;
2. Kontaktuppgifter: e-postadress, postadress;
3. Kontoinformation: kontots ålder, lösenord, kontonummer;
4. Övrig data relaterad till din Plattform X: gräsklipparnamn, parningsnamn, åtgärder utlösta genom användning av partnerintegrationer och enhetsinformation.

• Användning av positionsdata

Vissa av våra tjänster fungerar endast om vi kan bestämma platsen för din gräsklippare (t.ex. väderdisplay). När du delar din gräsklipparplats med oss lagras uppgifterna som en del av din profil och kan skickas till tredje part i pseudonymiserad form för att tillhandahålla relevant tjänst (t.ex. för att parkera gräsklipparen vid kraftigt regn).

8.2 Begränsad Garanti

Begränsad garanti

Vi erbjuder en 2-års garanti. Innan du påbörjar ett garantikrav ber vi dig starkt att först kontrollera FAQ- och felsökningsavsnittet i användarhandboken. Vår dedikerade kundsupport är också här för att hjälpa till. För att påbörja garantikrav, tillhandahåll ett köpebevis, inklusive ett giltigt kvitto som visar köpdatum och köpplats.

Vår garanti täcker inte:

Delar som är föremål för normalt slitage såsom markpinnar, klippskivor och batteri.

8.3 Friskrivningar

Vi tillhandahåller kunder med efterförsäljningstjänster, med undantag för följande omständigheter:

1. Kraschskador orsakade av icke-tillverkningsfaktorer, inklusive men inte begränsat till, användarfel.
2. Skador orsakade av obehörig modifiering, demontering eller öppnande av skal inte i enlighet med officiella instruktioner eller manualer.
3. Skador orsakade av felaktig installation, felaktig användning eller drift inte i enlighet med officiella instruktioner eller manualer.
4. Skador orsakade av en icke-auktoriserad servicetekniker.
5. Skador orsakade av obehörig modifiering av kretsar och/eller felaktig matchning eller felanvändning av batteri och laddare.
6. Skador orsakade av användare som inte följer instruktioner och manualrekommendationer.
7. Skador orsakade av drift i dåliga gräsförhållanden (t.ex. stora områden med pölar när begränsade områden inte är korrekt inställda, platser med överflöd av stenar som täcker gräsytor, etc.)
8. Skador orsakade av drift av produkten i miljöer med elektromagnetisk interferens, inklusive gruvområden eller i närheten av radiotransmissionstorn, högspänningsledning, transformatorstationer, etc.
9. Skador orsakade av drift av produkten i miljöer som lider av störningar från andra trådlösa enheter, såsom sändare, videolänkar, Wi-Fi-signaler, etc.
10. Skador orsakade av tillförlitlighets- eller kompatibilitetsproblem när obehöriga tredjepartsdelar används.
11. Skador orsakade av att enheten drivs med ett lågt laddat eller defekt batteri.

12. Skador orsakade av oförutsägbara faktorer såsom bilkollisioner, vilda djurattacker, översvämningar, etc.

Denna information kan ändras utan föregående meddelande.

FCC-uttalande

Denna enhet överensstämmer med del 15 av FCC-reglerna. Drift är föremål för följande två villkor: (1) denna enhet får inte orsaka skadlig störning, och (2) denna enhet måste acceptera all mottagen störning, inklusive störning som kan orsaka oönskad drift. Ändringar eller modifieringar som inte uttryckligen godkänts av den ansvariga parten för efterlevnad kan upphäva användarens rätt att använda utrustningen.

OBS

Denna utrustning har testats och funnits överensstämma med gränserna för en digital enhet av klass B, enligt del 15 av FCC-reglerna. Dessa gränser är utformade för att ge rimligt skydd mot skadlig störning i en bostadsinstallation. Denna utrustning genererar, använder och kan utstråla radiofrekvensenergi och, om den inte installeras och används enligt instruktionerna, kan orsaka skadlig störning i radiokommunikationer. Dock finns det ingen garanti för att störningar inte kommer att förekomma i en viss installation. Om denna utrustning orsakar skadlig störning av radio- eller tv-mottagning, vilket kan bestämmas genom att slå av och på utrustningen, uppmantras användaren att försöka korrigera störningen genom en eller flera av följande åtgärder:

- Omorientera eller flytta mottagningsantennen.
- Öka avståndet mellan utrustningen och mottagaren.
- Anslut utrustningen till ett uttag på en krets som skiljer sig från den som mottagaren är ansluten till.
- Rådfråga återförsäljaren eller en erfaren radio-/TV-tekniker för hjälp.
- För att uppfylla FCC krav på RF-exponering bör ett avstånd på 20 cm eller mer upprätthållas mellan antennens på denna enhet och personer under enhetens drift. För att säkerställa överensstämmelse rekommenderas inte drift närmare än detta avstånd.

VARNING för knappceller eller myntbatterier:

- a) Ta bort och återvinn eller kassera omedelbart använda batterier enligt lokala föreskrifter och håll dem borta från barn.
- b) Kassera INTE batterier i hushållssopor eller bränn dem.
- c) Även använda batterier kan orsaka allvarliga skador eller dödsfall.
- d) Ring ett lokalt giftinformationscentrum för behandlingsinformation.
- e) Batterityp: CR2032.
- f) Nominell spänning: 3.0 Vdc.
- g) Icke-uppladdningsbara batterier får inte laddas om.

h) Tvinga inte urladdning, laddning, demontering, uppvärmning över (tillverkarens angivna temperaturgräns) eller bränning. Att göra så kan resultera i skador på grund av venting, läckage eller explosion som resulterar i kemiska brännskador.

i) Produkten innehåller en icke utbytbar knappcell.



EC-försäkran om överensstämmelse

Vi

Zhejiang Sunseeker Industrial Co., Ltd.

988 Jinde Rd. Jiangdong Industrial Park, Jinhua, Zhejiang 321000 P.R. CHINA

Förklarar och tar ansvar för att produkten:

Varumärke: SUNSEEKER

Produktnamn: Robotgräsklippare

Modell: RMX1600L20V, RMX2000L20V, RMX2500L20V, RMX1602N20V, RMX2002N20V, RMX2502N20V

Föremålet för denna deklaration överensstämmer med följande EU-direktiv:

1. Direktivet om radioutrustning (2014/53/EU)

2. Maskindirektivet (2006/42/EG)

3. RoHS direktivet (2011/65/EU) och ändringsdirektivet ((EU)2015/863)

4. Bullerdirektivet (bilaga III i 2000/14/EG som ändrats genom 2005/88/EG)

- Ljudtrycksnivå LpA: 52 dB (A), Ljudtryckets osäkerheter KpA: 3dB (A)

- Deklarerad garanterad ljudnivå: 60 dB (A), Ljudnivåosäkerheter KWA: 3dB (A)

Överensstämmelse med dessa direktiv har bedömts för denna produkt genom att visa överensstämmelse med följande harmoniserade standarder och/eller tekniska specifikationer:

EN 50636-2-107: 2015+A1:2018+A2: 2020+A3: 2021

EN 60335-1:2012+A11:2014+A13:2017+ A1:2019 + A2:2019+ A14:2019+A15:2021

EN IEC 55014-1:2021

EN IEC 55014-2:2021

EN IEC 61000-3-2:2019+A1:2021

EN 61000-3-3:2013+A1:2019+A2:2021

EN 301 489-1 V2.2.3

EN 301 489-3 V2.3.2

EN 301 489-17 V3.2.4

EN 301 489-19 V2.2.1

EN 301 489-52 V1.2.1

EN 301 511 V12.5.1

EN 301 908-1 V15.2.1

EN 301 908-13 V13.2.1

EN 303 413 V1.2.1

EN 300 220-2 V3.1.1

EN 300 328 V2.2.2

EN 62311:2008

EN IEC 62311:2020

EN 62321-1:2013

EN IEC 62321-2:2021

EN 62321-3-1:2014

EN 62321-8:2017

EN 62321-4:2014 /A1:2017

EN 62321-5:2014

EN 62321-7-1:2015

EN 62321-7-2:2017

EN 62321-6:2015

EN 62321-8:2017

EN ISO 11094:1991

EN ISO 3744:1995

EN ISO 3744:2010

Information om RF-exponering

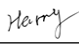
Denna enhet har testats och uppfyller tillämpliga gränser för radiofrekvensexponering.

Denna utrustning måste installeras och användas enligt medföljande instruktioner och de antenner som används för denna sändare måste installeras för att ge ett avstånd på minst 20 cm från alla personer och får inte vara placerade eller användas tillsammans med någon annan antenn eller sändare.

Undertecknat för och på uppdrag av: Zhejiang Sunseeker Industrial Co., Ltd.

Plats: Jinhua, Zhejiang P.R. CHINA Datum: 09-07-2024

Namn: Harry Ran Titel: Chefingenjör

Signatur: 

Innholdsfortegnelse

1. Sikkerhet og forskrifter	172
1.1 Generelt	172
1.2 Generelle sikkerhetsinstruksjoner.....	172
1.3 Sikkerhetsinstruksjoner for installasjon	173
1.4 Sikkerhetsinstruksjoner for daglig bruk	174
1.5 Sikkerhetsinstruksjoner for vedlikehold.....	174
1.6 Batterisikkerhet.....	174
2. Symboler og etiketter	174
3. Innhold og spesifikasjoner	175
3.1 Boksinnhold	175
3.2 Deler og funksjoner	176
4. Installasjon	178
4.1 Forberedelser	179
4.2 Installer ladestasjonen	179
4.3 Installer RTK-basestasjonen	179
4.4 Lad og aktiver gressklipperen.....	180
4.5 App-tilkobling	181
5. Daglig drift.....	182
5.1 Display og kontroll på gressklipperen	182
5.2 Endre PIN-koden	182
5.3 IoT	183
5.4 Hindringsunngåelse	183
6. Vedlikehold	184
6.1 Rengjøring	184
6.2 Bytt kniver.....	185
6.3 Transport.....	186
6.4 Batteri.....	186
6.5 Strømforsyning.....	187
6.6 Lagring	187
6.7 Resirkulering og avfallsbehandling ved livets slutt.....	188
7. FAQ og feilsøking.....	189
7.1 Feilmelding.....	189
7.2 Feilsøking.....	190
8. Viktig informasjon	191
8.1 Datapersonvern	191
8.2 Begrenset garanti	191
8.3 Ansvarsfraskrivelser	191

1. Sikkerhet og forskrifter

1.1 Generelt

**VIKTIG
LES NØYE FØR BRUK
TA VARE PÅ FOR FREMTIDIG REFERANSE**

Tilsiktet bruk

Dette hageproduktet er kun ment for plenklipping, og kutter automatisk gresset i hagen når som helst på dagen. Enhver bruk utover den tiltenkte bruken kan medføre farer, og potensielt forårsake skade på personer og/eller skade på eiendom. Det er avgjørende å følge de angitte retningslinjene nøye for å sikre sikkerheten og forhindre ulykker.

Ikke tiltenkt bruk

Dette hageproduktet er ikke ment for bruk av barn eller personer med redusert fysisk, sensorisk eller mental kapasitet, eller mangel på erfaring og kunnskap, med mindre de har fått veiledning eller instruksjoner om bruk av produktet fra en person ansvarlig for deres sikkerhet.

Feilaktig bruk omfatter, men er ikke begrenset til, transport av mennesker, barn eller dyr på maskinen; å bli transportert av maskinen; å bruke maskinen til å trekke eller skyve laster; og å bruke maskinen til å klippe vegetasjon som ikke er gress.

Resterende risiko - Bruk beskyttelseshansker og vernebriller når du utfører vedlikehold eller bytter blader for å unngå skader.

Ikke forleng kablen mellom strømenheten og ladestasjonen.



ADVARSEL

- Ikke berør farlige bevegelige deler før de har kommet til fullstendig stopp.
- Hold strømkabel, strømforsyningsenhet, skjøteledning og alle andre elektriske kabler som ikke tilhører produktet utenfor klippeområdet for å opprettholde avstand fra farlige bevegelige deler og forhindre skade på kabler som kan komme i kontakt med strømførende deler. Det er fare for skade eller død for operatør eller tilskuere dersom instruksjonene i manualen ikke følges.
- Automatisk gressklipper! Hold deg unna maskinen! Barn må være under oppsyn!
- Ta vare på alle advarsler og instruksjoner for fremtidig referanse.
- Les alle sikkerhetsadvarsler, instruksjoner, illustrasjoner og spesifikasjoner levert med dette produktet. Manglende overholdelse av alle instruksjoner nedenfor kan resultere i elektrisk støt, brann og/eller alvorlig skade.

1.2 Generelle sikkerhetsinstruksjoner

Arbeidsområdets sikkerhet

A. Ikke bruk maskiner i eksplosive atmosfærer, som i nærvær av brennbare væsker, gasser eller støv. Maskiner skaper gnister som kan antenne støvet eller gassene.

B. Les instruksjonene nøye. Vær kjent med kontrollene og riktig bruk av maskinen.

C. Tillat aldri personer som ikke er kjent med disse instruksjonene eller barn å bruke maskinen. Lokale forskrifter kan begrense operatørens alder.

D. Operatøren eller brukeren er ansvarlig for ulykker eller farer som skjer med andre mennesker eller deres eiendom.

Elektrisk sikkerhet

A. Strømplugger må matche stikkkontakten. Endre aldri støpselet på noen måte. Ikke bruk ladestøpsler med jordede enheter. Uendrede støpsler og tilhørende kontakter reduserer risikoen for elektrisk støt.

B. Unngå kroppskontakt med jordede eller jordede overflater, for eksempel rør, radiatorer, ovner og kjøleskap. Det er økt risiko for elektrisk støt hvis kroppen din er jordet.

C. Ikke misbruk strømkabler. Bruk aldri strømkabelen til å bære, trekke eller koble fra en enhet. Hold strømkabler unna varme, olje, skarpe kanter eller bevegelige deler. Skadede eller sammenfiltrede strømkabler øker risikoen for elektrisk støt.

D. Hvis det er uunngåelig å bruke et strømforsynt apparat i et fuktig område, bruk en jordfeilbryter (RCD) beskyttet strømforsyning. Bruken av en RCD reduserer risikoen for elektrisk støt.

E. Sørg for korrekt installasjon av det automatiske omkretsavgrensningssystemet i henhold til instruksjonene.

F. Inspiser området der maskinen skal brukes med jevne mellomrom, og fjern alle steiner, pinner, ledninger, bein og andre hindringer.

G. Sjekk knivene, knivboltene og klippeaggregatet regelmessig for slitasje eller skade. Bytt ut slitte eller skadede kniver og bolter i sett for å opprettholde balansen.

H. På maskiner med flere spindler, vær oppmerksom på at rotering av én kniv kan få andre kniver til å rotere.

Personlig sikkerhet

A. Ikke la personer som ikke er kjent med maskinen eller disse instruksjonene bruke maskinen. Maskiner er farlige i hendene på utrente brukere.

B. Vær våken, se hva du gjør og bruk sunn fornuft når du bruker maskinen. Ikke bruk maskinen når du er trøtt eller påvirket av narkotika, alkohol eller medisiner. Et øyeblikks uoppmerksomhet når du bruker maskinen kan resultere i alvorlig personskade.

C. Fjern eventuelle justeringsnøkler eller skiftenøkler før du bruker maskinen. En skiftenøkkel eller nøkkel som er igjen på en roterende del av maskinen kan forårsake personskade.

D. Når du styrer maskinen manuelt, sørg for riktig fotfeste og balanse til enhver tid. Dette gir bedre kontroll over maskinen i uforutsette situasjoner.

E. Ikke la den fortroligheten som oppnås ved hyppig bruk av maskiner, føre til at du blir selvtilfreds og ignorerer maskinsikkerhetsprinsipper. En uforsiktig handling kan forårsake alvorlig skade i løpet av et brøkdels sekund.

Bruk og vedlikehold av maskinen

A. Koble fra støpselet fra strømkilden og/eller fjern batteripakken (hvis den er avtakbar) fra maskinen eller andre enheter før du gjør noen justeringer, bytter tilbehør eller lagrer. Slike forebyggende sikkerhetstiltak reduserer risikoen for utilsiktet oppstart.

B. Vedlikehold maskiner og tilbehør. Sjekk for feiljustering eller binding av bevegelige deler, brudd på deler og andre forhold som kan påvirke maskinens drift. Hvis det er skadet, få maskinen reparert før bruk. Mange ulykker er forårsaket av dårlig vedlikeholdte maskiner og tilbehør.

C. Bruk maskinen og tilbehør i samsvar med disse instruksjonene, med tanke på arbeidsforholdene og arbeidet som skal utføres. Bruk av maskinen til operasjoner som er forskjellige fra de tiltenkte, kan resultere i en farlig situasjon.

D. Bruk aldri maskinen med defekte verner, eller uten sikkerhetsutstyr.

E. Ikke legg hender eller føtter nær eller under roterende deler. Hold deg unna utløpsåpningen til enhver tid.

F. Løft aldri eller bær en maskin mens motoren går.

G. Aktiver enhetslåsen/sett maskinen i "LÅST"
- før du fjerner en blokkering;
- før du sjekker, rengjør eller arbeider på maskinen.

H. Ikke la maskinen operere uten tilsyn hvis du vet at det er kjæledyr, barn eller andre mennesker i nærheten.

Service

A. Få maskinen din servet av en kvalifisert reparatør som kun bruker identiske reservedeler. Dette vil sikre at maskinens sikkerhet opprettholdes.

B. Hold alle muttere, bolter og skruer stramme for å sikre at maskinen er i sikker driftstilstand.

C. Sjekk gressfangeren ofte for slitasje eller forringelse.

D. Bytt ut slitte eller skadede deler for sikkerhetens skyld.

E. Sørg for at riktige kniver byttes ut.

F. Sørg for at batterier lades med riktig lader anbefalt av produsenten. Feil bruk kan føre til elektrisk støt, overoppheting eller lekkasje av etsende væske fra batteriet.

G. Ved lekkasje av elektrolytt, skylld med vann/ nøytraliserende middel, og søk medisinsk hjelp hvis det kommer i kontakt med øynene osv.

H. Vedlikehold av maskinen skal utføres i henhold til produsentens instruksjoner.

BRUK OG VEDLIKEHOLD AV BATTERIVERKTØY

A. Lad kun med laderen spesifisert av produsenten. En lader som er egnet for én type BATTERIPAKKE, kan utgjøre en brannfare når den brukes med en annen BATTERIPAKKE.

B. Bruk kun elektroverktøy med spesifikt angitte BATTERI-pakker. Bruk av andre BATTERIPAKKER kan utgjøre en risiko for skade og brann.

C. Når BATTERI-pakken ikke er i bruk, hold den unna andre metallgjenstander, som binders, mynter, nøkler, spiker, skruer eller andre små metallgjenstander som kan lage en forbindelse mellom terminalene. Kortslutning av BATTERITERMINALER kan forårsake brannskader eller brann.

D. Under misbruk kan væske skytes ut av BATTERIET; unngå kontakt. Hvis kontakt oppstår ved et uhell, skylld med vann. Hvis væske kommer i kontakt med øynene, søk i tillegg medisinsk hjelp. Væske som utstøtes fra BATTERIET kan forårsake irritasjon eller brannskader.

E. Ikke bruk en BATTERI-pakke eller et verktøy som er skadet eller modifisert. Skadede eller modifiserte batterier kan vise uforutsigbar atferd som resulterer i brann, EKSPLOSJON eller risiko for skade.

F. Ikke utsett en BATTERI-pakke eller et verktøy for ild eller for høy temperatur. Eksponering for brann eller temperaturer over 130 °C kan forårsake eksplosjon.

G. Følg alle ladeinstruksjoner og ikke lad BATTERI-pakken eller verktøyet utenfor temperaturområdet som er spesifisert i instruksjonene. Feil lading eller lading ved temperaturer utenfor det spesifiserte området kan skade BATTERIET og øke risikoen for brann.

1.3 Sikkerhetsinstruksjoner for installasjon

A. Ikke installer ladestasjonen, inkludert noe tilbehør, på et sted som er under, eller innenfor 24 tommer fra, noe brennbart materiale. Ved feil kan ladingstasjonen og strømforsyningen bli overopphetet og utgjøre en potensiell brannfare.

B. Ikke plasser strømforsyningen på en høyde der det er risiko for at den kan havne i vann. Ikke plasser strømforsyningen på bakken.

C. Ikke innkapsle strømforsyningen. Kondensert vann kan skade strømforsyningen og øke risikoen for elektrisk støt.

D. Gjelder for USA/Kanada. Hvis strømforsyningen installeres utendørs: Risiko for elektrisk støt. Installer kun i en dekket Klasse A GFCI-kontakt (RCD) med værbestandig kapsling og tilgang til å sette inn eller fjerne deksel på tilkoblingspluggen.

E. Ikke installer ladestasjonen der det er fare for stående vann.

1.4 Sikkerhetsinstruksjoner for daglig bruk

- A.** Hold hender og føtter borte fra de roterende knivene. Ikke sett hendene eller føttene nær eller under produktet når det er satt til PÅ.
- B.** Bruk parkmodus eller sett produktet til AV når personer, spesielt barn eller dyr, er i arbeidsområdet.
- C.** Sørg for at det ikke finnes gjenstander som steiner, greiner, verktøy eller leker på plenen. Bladene kan bli skadet hvis de treffer en gjenstand.
- D.** Ikke løft eller flytt produktet når det er satt til PÅ.
- E.** La ikke produktet kollidere med personer eller dyr. Hvis en person eller et dyr kommer i veien for produktet, stopp produktet umiddelbart.
- F.** Ikke legg gjenstander oppå produktet eller ladestasjonen.
- G.** Ikke bruk produktet hvis STOPP-knappen ikke fungerer.
- H.** Sett alltid produktet til AV når det ikke er i bruk.
- I.** Ikke bruk produktet og en pop-up sprinkler samtidig. Bruk planleggingsfunksjonen samtidig.
- J.** La ikke produktet operere når det er stående vann i arbeidsområdet, for eksempel et område med vannpytter etter kraftig regn.

1.5 Sikkerhetsinstruksjoner for vedlikehold

- A.** Sett produktet til AV når du utfører vedlikehold på produktet.
- B.** Ikke bruk en høytrykksspyler til å rengjøre produktet. Ikke bruk løsemidler til å rengjøre produktet.
- C.** Koble fra pluggen fra ladestasjonen før du rengjør eller utfører vedlikehold på ladestasjonen.

1.6 Batterisikkerhet

Litium-ion-batterier kan eksplodere eller forårsake brann hvis de demonteres, kortsluttes eller utsettes for vann, brann eller høye temperaturer. Håndter forsiktig og ikke demonter eller åpne batteriet eller bruk noen form for elektrisk/mekanisk misbruk. Unngå lagring i direkte sollys.

2. Symboler og etiketter






Disse symbolene kan finnes på produktet. Les dem nøye.

	ADVARSEL: Les bruksanvisningen før du bruker produktet.
	ADVARSEL: Deaktiver produktet før du arbeider med eller løfter maskinen. Berør aldri det roterende bladet.
	ADVARSEL: Hold en sikker avstand fra maskinen når du bruker den. Hold andre personer utenfor fareområdet.
	ADVARSEL: Ikke ri på maskinen.
	Bruk en avtakbar strømforsyning som definert på merkeskiltet ved siden av symbolet.
	CE-samsvarsmerke.
	Lydkraftnivå, bestemt av europeisk utendørs støydirektiv. Produktets utslipp er beskrevet i Tekniske data på side 6 og på merkeplaten.
	Ikke kast dette produktet som vanlig husholdningsavfall. Sørg for at produktet blir resirkulert i samsvar med lokale juridiske krav.
	Klasse III
	DC

Symboler på batteripakken.

	Les bruksanvisningen.
	Ikke kast batteriet i ild, og ikke utsett batteriet for en varmekilde.
	Ikke senk batteriet i vann.
	Resirkulerbart merke.
	Det er ikke tillatt å kaste denne batteripakken som vanlig husholdningsavfall. Sørg for at batteripakken resirkuleres i samsvar med lokale juridiske krav.

Symboler på laderen

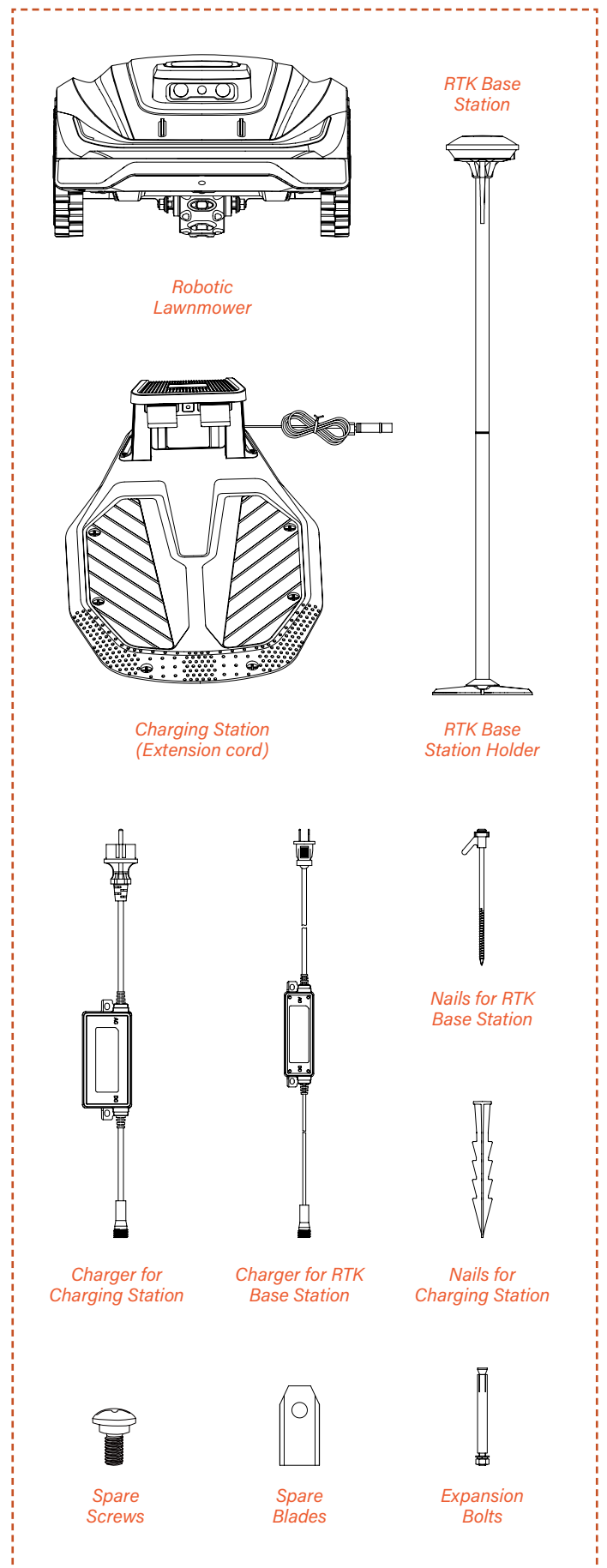
	Les bruksanvisningen.
T3,15A 	Bytt sikring i samsvar med spesifikasjonene.
T2A 	Bytt sikring i samsvar med spesifikasjonene.
	Klasse II konstruksjon.
	Den må ikke kastes som usortert avfall, men må sendes til separate innsamlingsanlegg for gjenvinning og resirkulering i samsvar med lokale lovkrav.

Symboler på robotskjerm

	Strøm på/av
	Startknapp
	Hjemknapp
	Ok-knapp
	PIN-kodeinnstilling
	Tidsinnstilling
	Bluetooth
	Wi-Fi

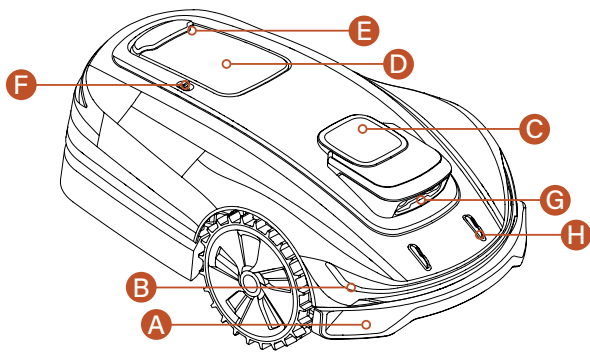
3. Innhold og spesifikasjoner

3.1 Boksinnhold

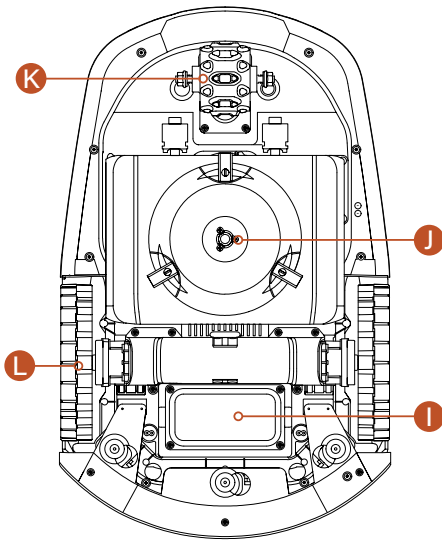


3.2 Deler og funksjoner

Oversiktsbilde



Bunnbilde



G - Binokulært kamera - Det AI-assisterte binokulære kameraet hjelper klipperen med å oppdage og unngå hindringer.

H - Ladeelektroder - Ladeelektrodene på maskinen kobles til elektrodene på ladestasjonen for å lade maskinens batteri.

I - Batterirom - Rommet for oppbevaring av batteriet.

J - Roterende klippeplate - Enhet for å klippe plenen når maskinen er i drift.

K - Hjulnavmotor - En utmerket styrekontrollenhet og strømkilde for drift.

L - Drivhjul - Kraftutgang for bevegelse med utmerkede terrengegenskaper.

MERK

Ikke dypp maskinen i vann, da dette kan skade komponentene og ugyldiggjøre garantien innenfor den spesifiserte perioden.

A - Kollisjonsdemper - Når visuell posisjonering ikke er tilgjengelig, kan kollisjonsdemperen sikre maskinens normale drift.

B - LED-lys - LED-lys på klipperen vil indikere maskinens driftsstatus.

C - RTK-posisjoneringsantenne - Interaktivt posisjoneringsapparat for RTK-basestasjonen, maskinen og satellittene.

D - Kontrollpanel - Panelet for å slå maskinen av og på; for å kommandere maskinen til å arbeide eller returnere; og mer.

E - NØDSTOPP-knapp - Nødstoppknapp for å stoppe maskinen i tilfelle en nødssituasjon.

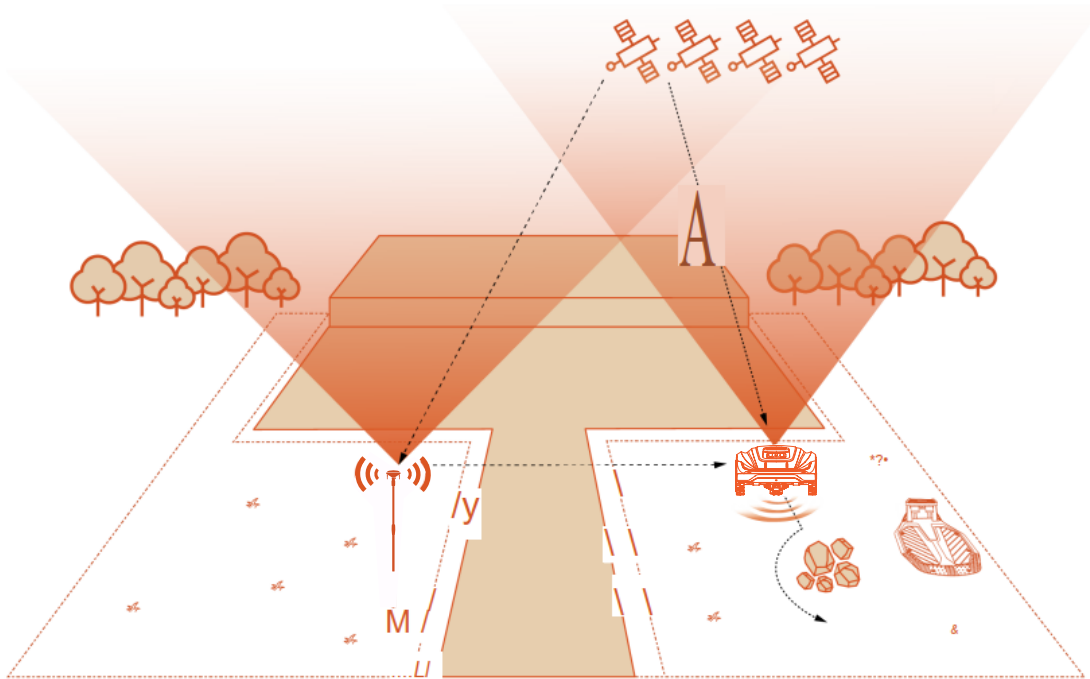
F - Regnsensor - Regnsensoren kan oppdage regn, og maskinen kan returnere til ladestasjonen automatisk for å unngå regn i henhold til brukerens innstilling.

3.3 Spesifikasjoner

TEKNISK SPESIFIKASJON	X5-2000 RMX2000L20V
Grenseledning	Trådløs / grenseløs
Maks klippeareal	2000m ²
Klippehøyde min/maks	20-60mm
Høydejustering	Manual
Klippebredde	22cm
Batterikapasitet	5 Ah
Brukergrensesnitt	APP- og tastaturskjerm
Maks stigning	30° (60%)
Robotdimensjoner	680*420*275 cm
Sertifikater	CE RoHS
Nettvekt	11.8 kg
Lydstyrkenivå LWA	60 dB (A)
Lydstyrke usikkerhet KWA	3dB(A)
Lydtrykksnivå LpA	52 dB (A)
Lydstyrke usikkerhet KpA	3dB(A)
FUNKSJONER	
Wifi / Bluetooth	▪
Intelligent kartlegging	▪
Ruteplanlegging	3 alternativer
VSLAM	▪
Super Wifi	▪
FOTA	▪
Rask retur til ladestasjon	▪
AWD (alle hjul drevne) hjul	3 hjul
Hagekart på APP	▪
Flere soner	Opptil 8
Arbeidsplan (satt i APP)	Automatisk eller manuell innstilling via APP
Kollisjonssensor	▪
Vanntett vask	▪
Tyveribeskyttelse: med GPS + 4G*	○
Google assistent & Amazon Alexa	▪
PIN-kode	▪
Løft- og vippesensor	▪
Regnsensor	▪
Økomodus	▪
LED frontlys	▪
TILBEHØR	
Fester til basen	8 stk
Lader	3 A (CGF253)
Strømforsyning	1.1 A (CGF251)/2 A (CGF152)

4. Installasjon

RTK fullfrekvens satellittposisjoneringsteknologi hjelper gressklipperen med å oppnå høy presisjon på posisjonsinformasjon. Sammen med VSLAM-teknologi og Sunseeker AIR (kunstig intelligensgjenkjenning), kan roboten utføre posisjonerings- og navigasjonsoppgaver i ulike scenarier, inkludert komplekse miljøer, og sikre vedlikehold av høy kvalitet på plenen. Sunseekers avanserte maskinvare og programvare (intelligente algoritmer) forbedrer gressklipperens miljøgjenkjenning, posisjoneringsnøyaktighet og generelle ytelse betydelig. I likhet med den menneskelige hjernen, behandler Sunseekers avanserte algoritmer informasjon fra RTK (Real-Time Kinematic), VSLAM (Visual Simultaneous Localization and Mapping), IMU (Inertial Measurement Unit) og kilometertellere for å optimalisere miljøgjenkjenning under ulike forhold. Sunseeker RTK-teknologi, som mottar fullfrekvens satellittsignaler og utfører sanntidsposisjonering, gjør det mulig for brukere å sette opp virtuelle grenser for gressklipperne sine, og eliminerer behovet for tradisjonelle grensekabler. Innenfor disse virtuelle grensene kan gressklipperen planlegge sine klipperuter med høy presisjon og effektivitet, og oppnå optimal dekning for plenklipping.

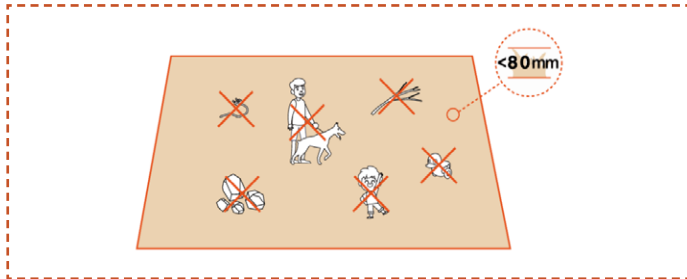


4.1 Forberedelser

Forbered plenen

- A.** Fjern alt avfall, løvhauger, leker, ledninger, steiner eller andre hindringer.
- B.** For å sikre sikkerhet, må du sørge for at barn og kjæledyr er borte fra plenen.
- C.** Klipp plenen til en høyde på ikke mer enn 80 mm før du bruker robotgressklipperen.
- D.** Total plenstørrelse varierer fra 2000 m².

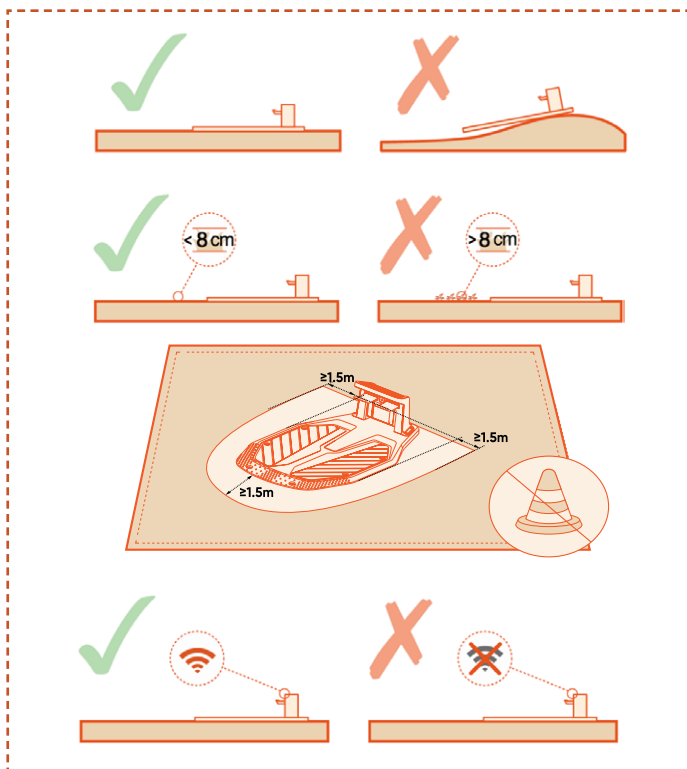
Anbefalte plentyper er vist på bildene nedenfor:



4.2 Installer ladestasjonen

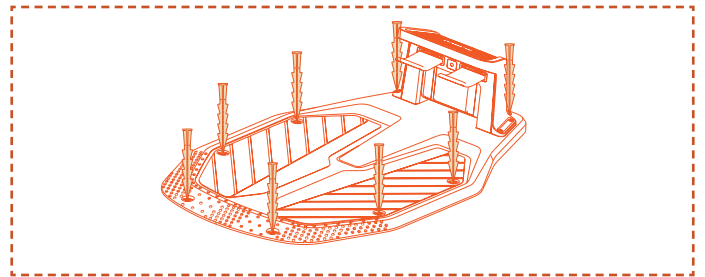
Finn en egnet plassering

For å sikre at gressklipperen kan gå ut fra og returnere til ladestasjonen, installer ladestasjonen på en åpen, flat overflate dekket av husholdnings-WiFi. Det skal ikke være hindringer innenfor 1,5 m foran ladestasjonen. Hvis det er gress, bør det være lavere enn 8 cm.

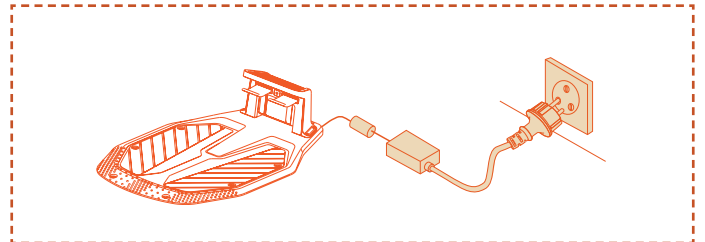


Installer ladestasjonen

A. Fest ladestasjonen med spiker på en ikke-herdet og flat overflate.



B. Koble strømkabelen til strømforsyningen. Hvis det er en betydelig avstand mellom ladestasjonen og strømforsyningen, må du sørge for at strømkabelen er sikkert festet til bakken og veggen for å sikre trygg drift.

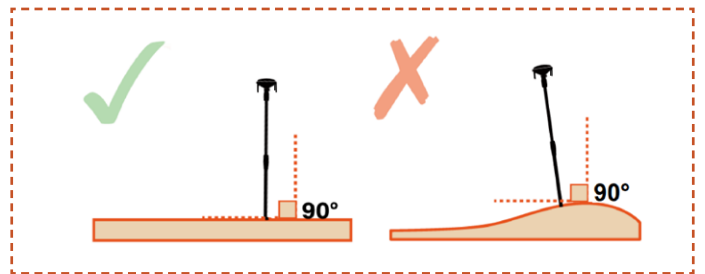


C. Hvis full åpenhet på alle sider ikke kan oppnås, hold i det minste den sørlige himmelen fri for hindringer på den nordlige halvkule, eller den nordlige himmelen på den sørlige halvkule. Prøv å holde øst- og vestsiden fri for hindringer.

4.3 Installer RTK-basestasjonen

Finn en egnet plassering

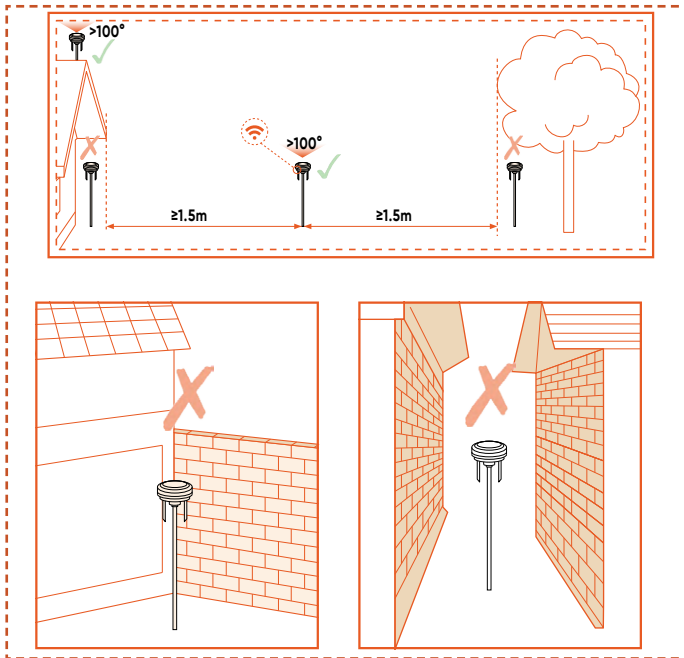
A. Plasser RTK-basestasjonen oppreist. Unngå å installere RTK-basestasjonen på en skråning.



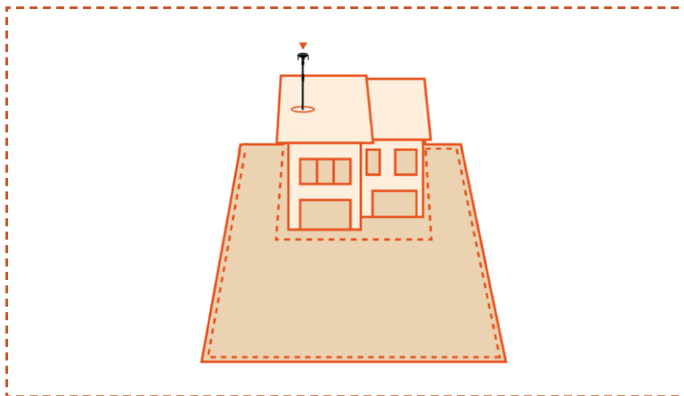
B. Plasseringen bør være dekket av ditt husholdnings-Wi-Fi.

C. For å sikre god mottakelse av satellittsignaler, installer stasjonen på et åpent og flatt område uten hindringer, hvor den har minst 100° fri mottaksvinkel med uavbrutt himmel.

D. Avstanden mellom RTK-basestasjonen og vegger eller trær må være større enn 1,5 m.



E. Hvis du har separate plener eller hvis plenen din er formet som bokstaven "O" eller "U", anbefaler vi at du installerer RTK-basestasjonen på taket eller på veggen.



F. Hvis full åpenhet på alle sider ikke kan oppnås, hold i det minste den sørlige himmelen fri for hindringer på den nordlige halvkule, eller den nordlige himmelen på den sørlige halvkule. Prøv å holde øst- og vestsiden fri for hindringer.

Installer RTK-basestasjonen

- Bruk spiker for å installere RTK-basestasjonen på et sted med en tilgjengelig strømkilde.
- Koble skjøteledningen og laderen til RTK-basestasjonen.
- Koble RTK-basestasjonen til strømkilden.

Sjekk satellittsignalet



Plaseringens indikatorlys

- Fast grønn: Godt satellittsignal på denne plasseringen.
- Fast oransje: Svakt satellittsignal på denne plasseringen; det anbefales å reinstallere basestasjonen på et område med bedre signal, fri for hindringer.
- Fast rød: Svært svakt satellittsignal på denne plasseringen; du må reinstallere basestasjonen på et område med bedre signal, fri for hindringer

Wi-Fi indikatorlys

- Fast grønn: Wi-Fi tilkoblet og servertilgang opprettet
- ⦿ Blinkende grønn: Wi-Fi kobler til eller ikke koblet til serveren
- Ingen grønt lys: Wi-Fi ikke tilkoblet

Super Wi-Fi indikatorlys

- Fast grønn: Normal kommunikasjon
- ⦿ Blinkende grønn: Paring pågår
- Ingen grønt lys: Kommunikasjonsfeil

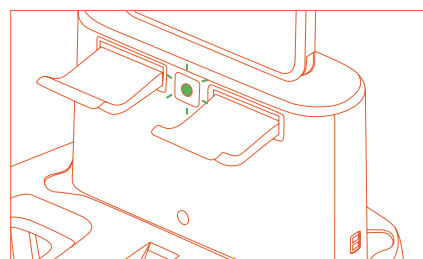
Strømindikatorlys

- Fast grønn: Strømfeil
- ⦿ Blinkende grønn: Strøm normal
- Ingen grønt lys: Ingen strøm

4.4 Lad og aktiver gressklipperen

Lad gressklipperen

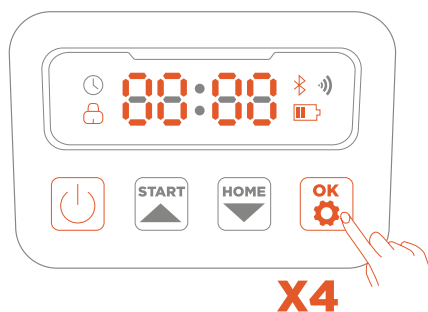
Skiv gressklipperen inn i ladestasjonen, og sørg for at ladeelektrodene kobles riktig. Den grønne lampen på ladestasjonen som blinker, indikerer normal lading.



Aktiver gressklipperen

- Hold nede på-knappen i lengre tid og skriv inn passordet. Standard PIN-kode er "0000". Trykk OK hver gang du taster inn 0 for å fullføre innstillingsprosessen.
- Når du skriver inn passordet, kan du bruke START-knappen som pluss-tast (+) og HJEM-knappen som minus-tast (-).

C. Hvis du vil endre passordet, hold inne start- og hjemknappen samtidig for å endre passordet.



Merk

Hvis indikatorlampen forblir av selv om strømforsyningen er tilkoblet riktig, vennligst kontakt kundesupport.

! Forsiktig

- Ikke slipp ladere på bakken innenfor de virtuelle grensene.
- Hvis ladestasjonen er installert innenfor de virtuelle grensene, må skjøteledningen sikres til bakken for å sikre riktig drift av gressklipperen.

! ADVARSEL

- Ikke lad Hvis maskinen, laderen, ladestasjonen eller strømuttaket er skadet.
- IKKE lad gressklipperen når temperaturen er over 40 °C eller under 5 °C. Lading vil ikke skje hvis temperaturgrensene overskrides.
- Stopp ladingen umiddelbart Hvis det oppstår en unormal lukt, lyd eller lys.
- Unngå å lade i nærheten av brennbare eller eksplosive materialer.

4.5 App-tilkobling

MERK

Følgende illustrasjoner angående Appen er kun for demonstrasjonsformål. Tilgjengelige alternativer kan variere avhengig av programversjon.

Hvordan bruke Sunseeker-appen

- Sørg for at maskinen er på ladestasjonen og lader riktig.
- Skann QR-koden for å laste ned Robotic Mower-appen, eller søk etter "Robotic Mower" i Google Play Store (Android) eller Apple App Store (iOS) for å fullføre oppsettet.



iOS



Android



C. Opprett en ny konto og logg inn. Slå på telefonens Bluetooth og Wi-Fi. Skann maskinens SN QR-kode for å legge til din robotgressklipper. Etter vellykket paring, skriv inn standard maskinpassord 0000. Passord kan endres på telefonen.

D. Konfigurer Wi-Fi for maskinen i appen. Maskinen må være koblet til det samme Wi-Fi-nettverket som mobilen din. Skriv inn navnet og passordet til hjemmets Wi-Fi.

E. Koble til Wi-Fi. Når tilkoblingen er vellykket. Når tilkoblingen er vellykket, vil Wi-Fi-ikonet på roboten og APPen lyse opp.

F. Gi roboten din et navn.

MERK

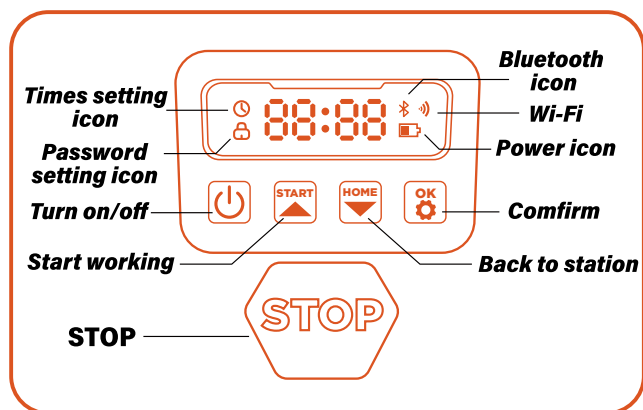
Ved behov vil appen be om tilgang til Bluetooth- og Wi-Fi-nettverk for å sikre riktig oppsett og fremtidig funksjonalitet, gi tilgang til disse funksjonene.

Bruk Robotic Mower App til å

- Binde og aktivere gressklipperen.
- Lage et kart (arbeidsområde).
- Overvåke status og arbeidsfremgang for gressklipperen, og fjernstyre dens operasjoner som å starte, stoppe eller returnere til ladestasjonen.
- Vise og endre gressklipperens arbeidsinnstillinger (klippeschedule, klippehøyde, kartadministrasjon).
- Vise og endre gressklipperens sikkerhets-/funksjonsinnstillinger (PIN, Blade Halt, osv.).
- Vise eller oppdatere enhetens firmwareversjon, vise nettverkslinkstatus.
- Avbinde, endre eller legge til enheter.
- Få hjelp og etter-salg support.

5. Daglig drift

5.1 Display og kontroll på gressklipperen Skjerm



Strømikone: Batteristrømikonet viser hvor mye strøm som er igjen på maskinen. Dette ikonet som viser 1 stolpe indikerer at strømmen er 30 % eller mindre, 2 stolper indikerer at gjenværende strøm er mellom 31-66 %, og 3 stolper indikerer strøm på 67 % eller mer.

Wi-Fi-ikon: Wi-Fi-ikonet indikerer om maskinen er koblet til Wi-Fi eller ikke.

Bluetooth-ikon: Bluetooth-ikonet indikerer om maskinen er koblet til Bluetooth eller ikke.

Tidsinnstillingsikon: Tidsinnstillingsikonet indikerer at maskinen har gått inn i tidsinnstillingsmodus.

Passordinnstillingsikon: Låseikonet som lyser opp indikerer at du må angi passordet eller endre maskinens passord.

Dashbordvisning: Dashbordvisningen viser de forskjellige tilstandene og modusene maskinen er i:

Inaktiv: Maskinen er i standby-modus, og det er ingen oppgaver som utføres på dette tidspunktet.

. Driftslys: Maskinen er i arbeidsmodus. På dette tidspunktet roterer disken i høy hastighet. Vennligst hold avstand fra den.

. ----: Når regnforsinkelsen er aktivert, registrerer maskinen at det regner akkurat nå, avslutter det pågående arbeidet og returnerer til ladestasjonen.

Stopp: Nødstoppeknapen ble trykket på maskinen.

Grunnleggende kontroll

Slå på: Trykk og hold inne av/på-knappen i 2 sekunder.

Slå av: Trykk og hold inne av/på-knappen i 3 sekunder.

Gressklipperen kan ikke slås av når den er i ladestasjonen. Når gressklipperen er slått av, vil ordet "bye" vises på skjermen, og deretter slås skjermen av.

Start arbeidet/slå på: Trykk på START-knappen og deretter OK.

Tilbake til stasjonen/slå av: Trykk på HOME-knappen og deretter OK.

Stopp gressklipperens drift: Trykk på STOPP.

Start gressklipperen på nytt: Trykk og hold inne strømknappen i 10 sekunder for å slå av maskinen, slå den på igjen eller skyv maskinen direkte inn i ladestasjonen og koble den til ladeelektrodene på stasjonen.

5.2 Endre PIN-koden

Hvis gressklipperen er i låst status, tast inn PIN-koden før du manuelt betjener gressklipperen. Standardkoden kan endres via Robotgressklipper-appen.

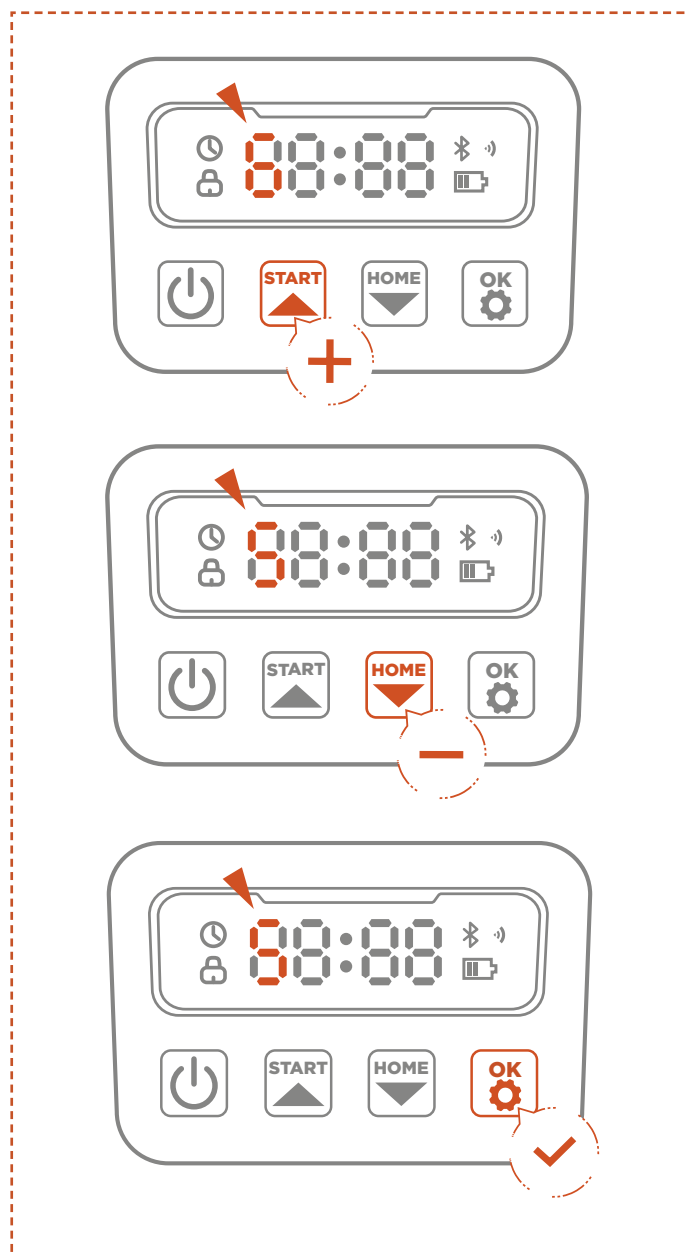
A. Hold inne START- og HJEM-knappene i 3 sekunder.

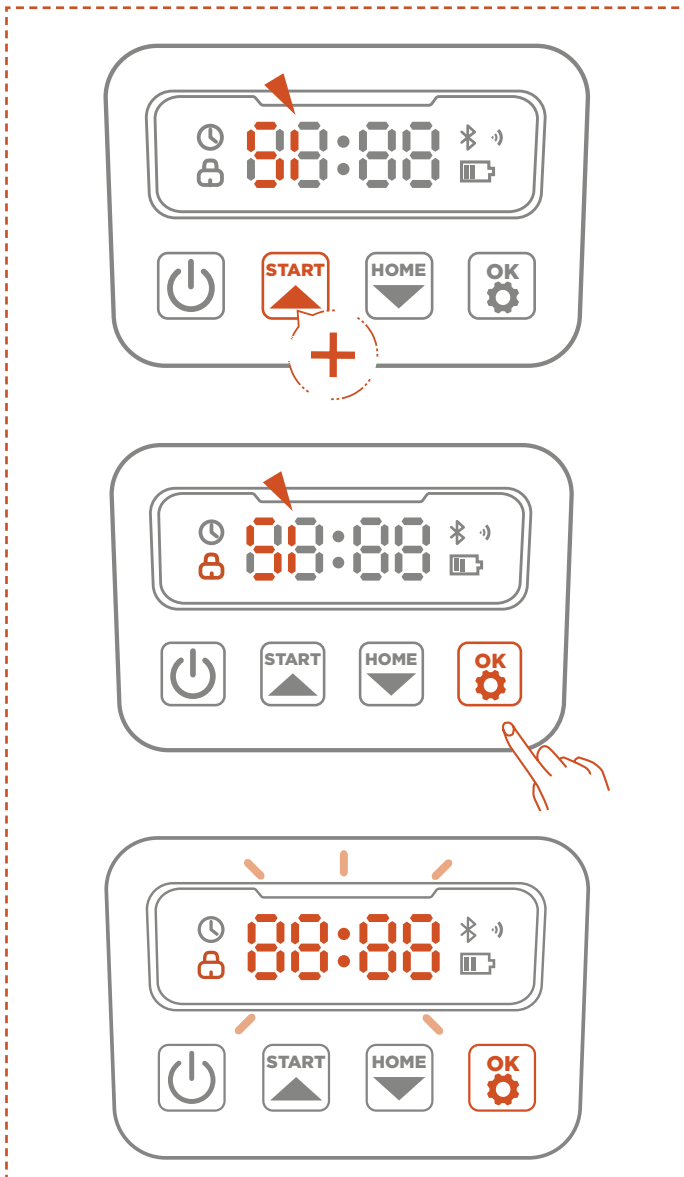
B. Når PIN1 vises, og etter at "0---" vises, skriv inn det gamle passordet.

C. Når PIN2 vises, og etter at "0---" vises, skriv inn det nye passordet. Trykk på OK for å bekrefte.

Merk

Hvis PIN-koden er feil, vil skjermen vise "ERR".





5.3 IoT

Plattform X er en enhet for tingenes internett (IoT). Koble gressklipperen til Internett via mobilnett eller Wi-Fi-nettverket ditt, slik at du får tilgang til følgende funksjoner:

A. Firmware-oppdateringer Over-The-Air (OTA), hold gressklipperen din oppdatert med de nyeste funksjonene.

B. Aktiver fjernkontroll gjennom nettverket:

start klipping, stopp klipping, returner til ladestasjonen, sett klippetidsskjema, juster klippehøyde og andre funksjoner.

C. Overvåk klippefremgangen og gressklipperens posisjon eksternt.

D. Rapportér feilkoder og gressklipperens status via nettverket.

Wi-Fi

Plattform X bruker Wi-Fi for å koble seg til et nettverk. Se Wi-Fi-innstillingene for flere detaljer.

MERK

- Plattform X støtter kun 2,4 GHz Wi-Fi-nettverk.
- Hvis du bruker en iOS-enhet, kan gressklipperen kun koble seg til Wi-Fi-nettverket som mobilenheten din er koblet til. Vennligst følg instruksjonene i appen. Koble mobilenheten din til Wi-Fi først, deretter kobler du gressklipperen til samme Wi-Fi. Det er ingen slike krav for Android-enheter.

Firmware-oppdateringer

Vi vil fortsette å oppdatere gressklipperens firmware. Hvis det er en ny versjon av firmwaren, vil du motta en popup-varsling i appen. Det anbefales at du oppdaterer så snart den nyeste firmware er tilgjengelig.

Når du oppdaterer firmwaren, må følgende betingelser være oppfylt:

- maskinen er på ladestasjonen.
- nettverket er tilkoblet.
- Batteriets strømnivå er mer enn 30 %.
- det er ingen klippeplan innen en time.

Under oppdateringsprosessen vil omgivelseslyset på gressklipperen blinke blått. Du kan se oppdateringsfremdriften i appen din. Etter at oppdateringen er fullført, vil omgivelseslyset på gressklipperen bli grønt.

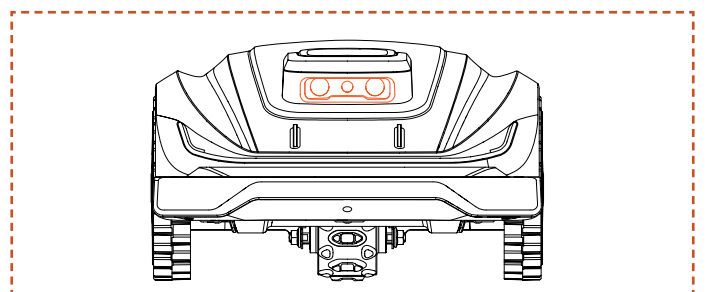
! ADVARSEL

- IKKE FLYTT gressklipperen under oppdateringsprosessen.

5.4 Hindringsunngåelse

Binokulært kamera

Binokulærkameraet er en del av standardutstyret på Plattform X. De er designet for visuell grenseregistrering, hindringsunngåelse og visuell gjenkjenning av QR-koder under ladeprosessen, noe som gjør gressklipperen mer intelligent.



MERK

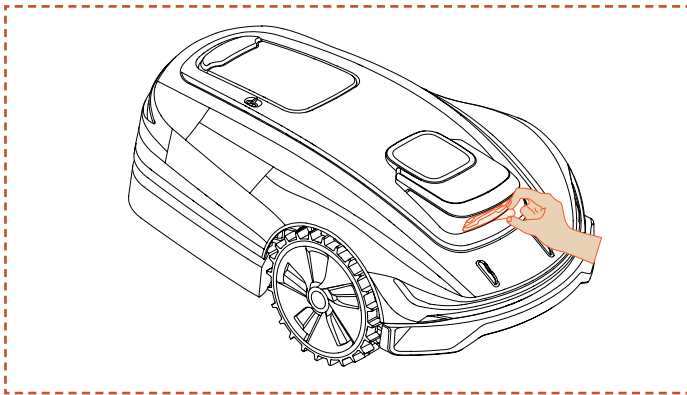
- Arbeid i mørke omgivelser kan påvirke maskinens evne til å gjenkjenne hindringer nøyaktig og raskt for å Unngå dem. Det anbefales å ikke bruke maskinen om natten.
- Hvis det er for mange hindringer på plenen din, bør du vurdere å sette opp ingen-go-soner rundt dem eller fjerne noen av hindringene for å forbedre maskinens effektivitet.

Kunstig intelligens gjenkjenning

Sunseeker AIR (Artificial Intelligence Recognition) omdefinierer sikkerhet med proprietær kamera-basert VSLAM og Sunseeker AIR, og tilbyr et bredere synsfelt (FOV) for å oppdage hindringer, forutse deres tilstedeværelse og endre gressklipperens bane for å unngå dem. Hindringsunngåelsesfunksjonene er designet for å øke ytelsen til gressklipperen din og forbedre din sikkerhet.

Støtfanger sensor

Sensorer er installert inne i Plattform X for å oppdage hindringer. Når støtfangeren støter på en hindring og utløser sensoren, vil gressklipperen rygge og unngå hindringen.



MERK

- Din Plattform X er i stand til å Unngå objekter etter å ha støtt på dem. Det anbefales imidlertid å fjerne overflødig rot før klipping.

6. Vedlikehold

- A.** Oppnå overlegne klipperesultater og forleng levetiden til gressklipperen din med vedlikehold.
- B.** Regelmessig inspeksjon og vedlikehold av en voksen hver uke er essensielt for å sikre optimal ytelse for maskinen.
- C.** Beskytt din egen sikkerhet ved å følge sikkerhetsretningslinjene: unngå vedlikehold mens du bruker åpne sandaler eller er barbeint.
- D.** Prioriter alltid sikkerhet ved å bruke lange bukser og arbeidssko under service på gressklipperen.
- E.** Skift ut eventuelle skadede eller slitte deler umiddelbart for å sikre problemfri drift.

KUN autoriserte serviceteknikere har lov til å åpne og forsegle chassiset som er plassert bak støtfangeren. Den begrensede garantien kan bli ugyldig hvis du utfører egen service.

MERK: FORSIKRING

Du kan kanskje ikke være dekket for ulykker som involverer dette produktet av forsikringene dine. Ta kontakt med din forsikringsleverandør eller agent for å finne ut om dekning tilbys.

6.1 Rengjøring

- A.** Slå av gressklipperen.
- B.** Bruk en myk børste eller klut til å rengjøre utsiden grundig, unngå bruk av korrosive løsemidler som alkohol, bensin eller aceton. Disse stoffene kan skade både estetikk og interne komponenter i gressklipperen.

MERK

- For problemfri docking er det avgjørende å regelmessig inspisere og rense ladestasjonen for rusk eller gjørmeansamlinger.

- sørg for at alle tilkoblingsdeler på ladestasjonen, skjøteledningen og strømforsyningen forblir frie for hindringer for optimal ytelse.

Chassis og bladskive

- A.** For å rengjøre chassiset og knivdisken, anbefales det å bruke en børste eller en vannslange.
- B.** Ikke bruk en høytrykksspyler, da det kan forårsake skade.
- C.** Sørg for at knivdisken roterer jevnt og at knivene kan svinge uten noen begrensninger.



FORSIKTIG

- Høytrykksspyling kan lekke inn i tetningene og skade elektroniske og mekaniske deler.

Hjul

Gress på hjulene kan svekke gressklipperens ytelse ved klatring i skråninger. Bruk en børste for å fjerne gjørme eller andre objekter mellom for å sikre godt grep.

Regnsensor

- A.** Sjekk regnsensoren en gang i måneden og sørg for at den ikke er dekket av gjørme, gress eller andre gjenstander.
- B.** Vask bort gjørme, gress eller andre objekter eller bruk en myk børste for å rense den.
- C.** Tørk sensorområdet etter rengjøring for å forhindre at den blir aktivert som den ville blitt av regn.

Kamera

Rengjør kameraet regelmessig for å holde det rent.



ADVARSEL

- sørg for at gressklipperen er slått av før rengjøring.
- når gressklipperen er opp ned, slå den av.

6.2 Bytt kniver

For bedre klippeytelse og sikkerhet anbefales det å bytte gressklipperens skruer og blader hver 1-2 måned hvis den brukes ofte. For et sikkert klippesystem bør alle blader sammen med skruene byttes samtidig. Se avsnittet "Spesifikasjon - tilbehør" for deler som kan brukes.

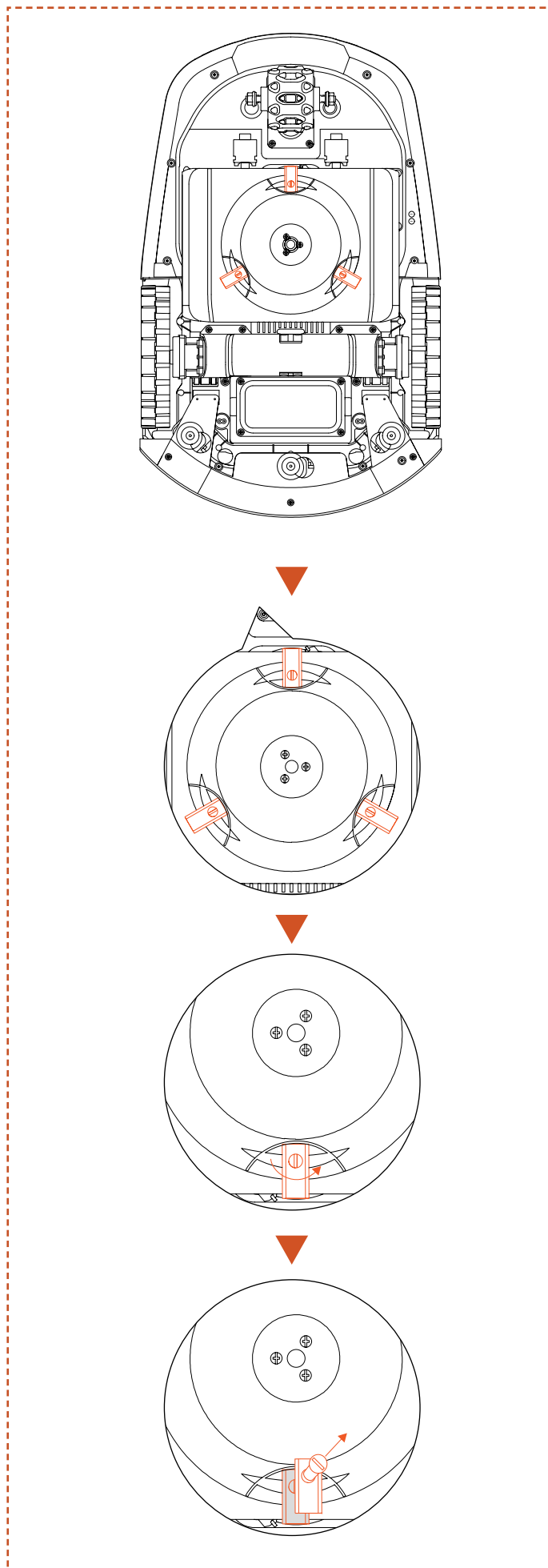


ADVARSEL

- bruk tykke hansker når du inspiserer eller utfører service på knivene.
- Ikke bruk skruene på nytt. Alvorlig skade kan oppstå ved å gjøre dette.
- Vi anbefaler på det sterkeste å bruke riktige skruer og originale kniver som er solgt av oss. (NO.80201457).

Slik bytter du knivene

- A.** Slå av gressklipperen.
- B.** Sett gressklipperen opp ned på en ren, myk overflate for å unngå riper.
- C.** Bruk en stjerneskrutrekker for å løsne skruene.
- D.** Fjern skruene og knivene.
- E.** Stram de nye knivene og skruene (moment: 1,0+0,2 N.m). Sørg for at bladene kan svinge fritt.



MERK

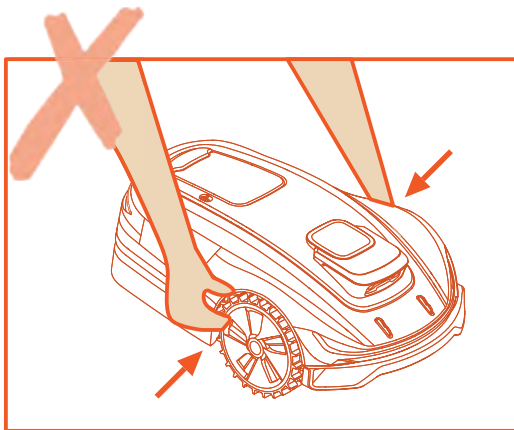
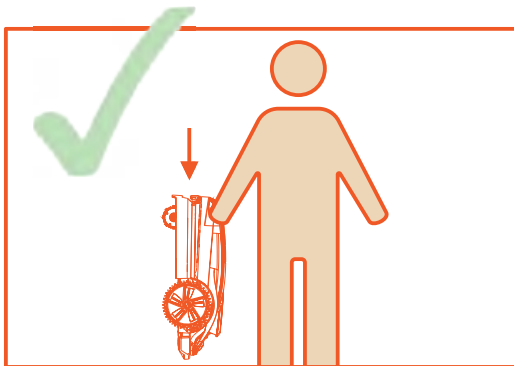
- Skift ut skruene med et standard moment på 1,0+0,2 N.m. Feil moment kan føre til unødvendige problemer.
- sørg for at gressklipperen er slått av og sjekk at knivene fungerer riktig. Sjekk for unormal støy eller risting.

6.3 Transport

Sørg for gressklipperens sikkerhet under langdistanse-transport ved å bruke originalemballasjen. Før du løfter, flytter eller transporterer produktet, må du sørge for å slå det av. Håndter med forsiktighet og unngå voldsom kraft, som kasting og tungt trykk. Løft aldri eller bær gressklipperen mens motoren går.

Hvordan løfte eller flytte riktig

Bær gressklipperen i håndtaket. Hold bladskiven vendt bort fra kroppen din.



6.4 Batteri

- A.** Før lagring, lad batteriet fullt opp for å forhindre overutladning og skade på de elektriske delene.
- B.** Den begrensede garantien dekker ikke skade fra overutladning av batteriet.
- C.** IKKE lad batteripakken i lufttemperaturer under 5 °C eller over 40 °C.
- D.** Hvis batteripakken lades når lufttemperaturen er mellom 18 °C og 25 °C, kan det forlenge levetiden og forbedre ytelsen.

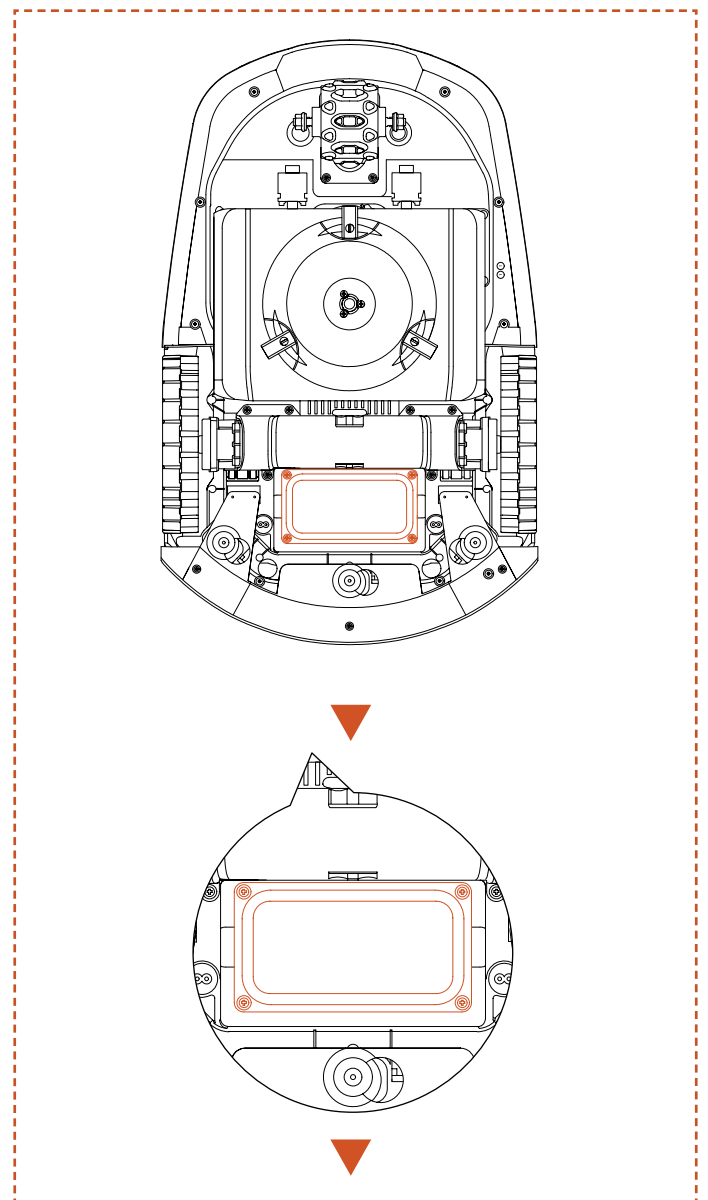
- E.** Batteripakken yter best når den brukes ved normal romtemperatur (20 °C ± 5 °C).

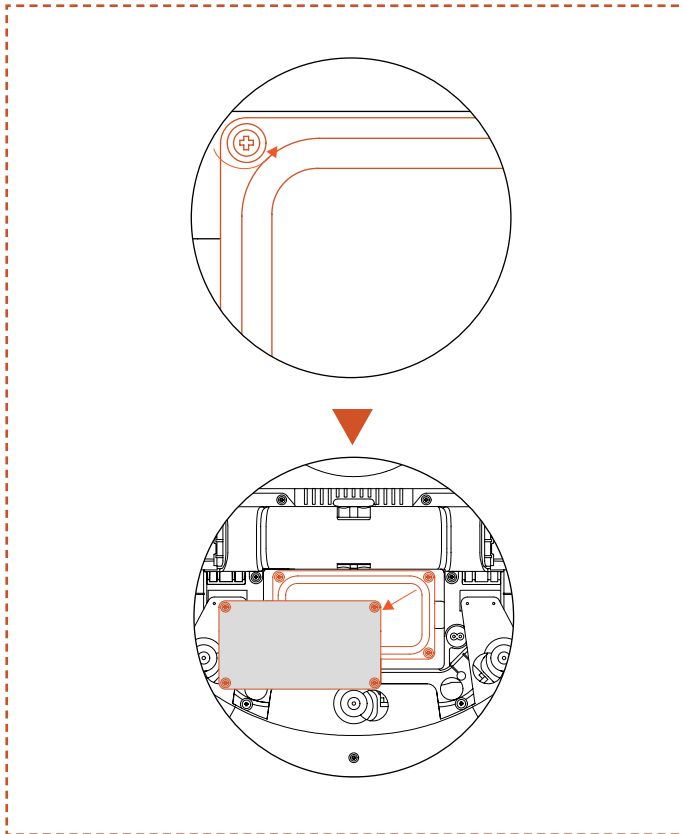
MERK

- Batteriets levetid avhenger av hvor ofte produktet brukes og de totale arbeidstimene. Når driftstiden er betydelig kortere enn vanlig per full lading eller plenen ikke er godt klippet, anbefales det å bytte batteriet.

Hvordan bytte batteri

- A.** Slå av gressklipperen.
- B.** Plasser gressklipperen opp ned på en ren, myk overflate.
- C.** Løsne de 4 skruene som holder batterirommet på plass med en stjerneskrutrekker.
- D.** Koble fra pluggen.
- E.** Ta ut batteripakken og erstatt den med den nye.





! ADVARSEL

- bruk kun original batteripakke eller en av samme modell som spesifisert av SUNSEEKER. Hver gressklipper inneholder én batteripakke.
- Avhengig av den spesifikke gressklippermodellen, er den nominelle kapasiteten til batteriet 5000 mAh eller 10000 mAh.
- Ikke bruk Ikke-oppladbare batterier. For å lade batteriet, bruk kun den avtakbare strømforsyningen som følger med dette produktet.
- Unngå å bryte eller demontere batterikassen. Unngå kontakt med metallgjenstander for å forhindre kortslutning. Hold unna varmekilder, ild og direkte sollys.
- Ta kontakt med ditt utsalgssted, ditt lokale eller regionale avfallshåndteringskontor eller din husholdningsavfallstjeneste for mer informasjon om batteri- og elektrisk avfall.
- det er Ikke ment at batterirommet åpnes ofte. Hvis et nytt batteri er nødvendig, bør du kun da åpne batterirommet.
- Batteripakken inneholder elektrolytter. Hvis elektrolyttlekkasje kommer i kontakt med huden din, vask av med såpe og vann umiddelbart. Søk medisinsk hjelp ved øyekontakt, og skylt øynene umiddelbart med mye vann i minst 15 minutter uten å gni.

6.5 Strømforsyning

Koble fra strømforsyningen:

- A. Før du fjerner en blokkering.
- B. Før du sjekker, rengjør eller arbeider på maskinen.
- C. Etter å ha truffet en fremmed gjenstand for å inspisere maskinen for skade.
- D. Undersøk regelmessig ledningen, pluggen, dekselet og andre deler. Hvis noen skader eller tegn på aldring blir funnet, stopp bruken umiddelbart.

! ADVARSEL

- BRUK ALDRI en skadet strømforsyning for drift. For å forhindre fare, må den skadede ledningen byttes ut av produsenten, dets serviceagent eller andre kvalifiserte personer. Hvis skjøteledningen er defekt, bytt den ut med en SUNSEEKER-godkjent 10 m ledning.
- RØR ALDRI en skjøteledning eller skadet ledning før den er koblet fra strømkilden eller koblet til strømforsyningen. En skadet ledning kan forårsake kontakt med elektriske komponenter.
- strømforsyningen skal Ikke brukes med noen annen enhet eller batteri, da dette øker risikoen for elektrisk støt, brann eller personskade. Hvis du bruker noe annet enn originale batterier, kan ikke produktsikkerheten garanteres.
- IKKE lad når batteriet lekker.
- Hold skjøteledningen unna bevegelige farlige deler for å Unngå skade på ledningene som kan føre til kontakt med strømførende deler.

Anbefaling

Koble gressklipperen og/eller dens periferutstyr kun til en strømkrets beskyttet av en jordfeilbryter (RCD) med en utløsningsstrøm på ikke mer enn 30 mA.

6.6 Lagring

- A. Sørg for at gressklipperen er fulladet og slått av før lagring for å forhindre overutladning, noe som kan føre til permanent skade.
- B. Oppbevares på et tørt, kjølig sted innendørs. Eksponering for sollys og ekstreme temperaturer (enten varme eller kulde) vil akselerere aldringsprosessen til komponenter og kan forårsake permanent skade.
- C. Hold kjemikalier og varmekilder (ovner, radiatorer, osv.) unna gressklipperen, ladestasjonen og strømforsyningen.
- D. Oppbevar strømforsyningen i et godt ventilert område og beskytt den mot fuktighet.

! ADVARSEL

- Koble fra strømforsyningen fra stikkkontakten Hvis tordenvær er forutsagt. Koble fra alle ledninger og kabler som er festet til ladestasjonen. Koble dem til igjen når det ikke lenger er fare for tordenvær.

Ekstra krav for vinterlagring

Gressklipperen:

- A. Rengjør gressklipperen grundig før lagring.
- B. Sjekk komponentene som utsettes for slitasje, for eksempel knivene.
- C. Reparer eller bytt dem ut hvis de er i dårlig stand.
- D. Oppbevar gressklipperen på et tørt og frostfritt sted, mens den står på alle hjulene, helst i originalemballasjen.

Ladestasjonen:

- A. Koble fra ladestasjonen og trekk strømforsyningen ut av stikkkontakten.
- B. Hold ladestasjonen unna direkte sollys og ta den med innendørs.

6.7 Resirkulering og avfallsbehandling ved livets slutt

Dette produktet er IKKE husholdningsavfall. Ta kontakt med din kommune, utsalgssted eller husholdningsavfallstjeneste for informasjon om resirkulering.



ADVARSEL

- dette produktet skal ikke kastes på en fylling, brennes eller kombineres med vanlig husholdningsavfall. Elektriske komponenter kan forårsake fare eller alvorlig skade.

7. FAQ og feilsøking

7.1 Feilmelding

Feilkode	Betydning	Mulig årsak
E1	Robot utenfor arbeidsområdet	Hvordan løse "Robot utenfor arbeidsområdet"?
E2	Hjulmotor blokkert	hjulmotoren er fastklemt
E3	cutter motorfeil	Cutter-motoren sitter fast
E4	Robotens støtfanger sitter fast	1. For mange hindringer 2. Bekreft om støtfangeren har blitt sittende på riktig plass.
E5	Robot løftet	Bekreft om maskinen har blitt løftet.
E6	Robot skråstilling	Bekreft om maskinen er plassert på ujevnt underlag.
E7	Vinkelsensor aktivert ofte	Bekreft om maskinen er plassert på ujevnt underlag.
E8	Feil ved dokking på ladestasjonen under lading	Hvordan løse feilen "Feil ved dokking på ladestasjonen under lading"?
E9	Robot fanget	1. Bekreft om det er for mange hindringer rundt maskinen. 2. Roboten kom inn i et trangt område og klarte ikke å komme seg ut 3. Gressklipperen glir
E10	Oppgradering mislyktes	1. Sjekk om WiFi-signalet er veldig svakt. 2. Sjekk om maskinen lader på ladestasjonen.
E12	Batterispenning feil	1. Plasser maskinen på ladestasjonen for å se om den kan lades fullt opp. 2. For høy ladestrøm 3. For lang ladetid 4. Batterispenningen er for høy eller for lav
E13	Ladefeil	Defekt lader
E14	Det nåværende kartområdet er for stort og overstiger det maksimale arbeidsområdet støttet av roboten.	Bygg et nytt kart innenfor produktets nominelle kapasitet.
E15	Feil på bakhjulsmotor/Styremotor	Bakhjulsmotoren/Styremotoren sitter fast.
E16	Feil på heisemotor	Heisemotoren sitter fast.
E17	Kan ikke finne ladestasjonen	Hvordan løse feilen "Feil ved dokking på ladestasjonen under lading"?
E18	Lavt batteri	Maskinen kan kanskje ikke returnere til ladestasjonen for normal lading på grunn av en feil. Vennligst flytt den manuelt til ladestasjonen for lading.
E19	Tilkobling mislyktes	1. Det er 4 QR-koder på baksiden av maskinen, og når du legger til en maskin, må du velge den første QR-koden. 2. Bekreft om Bluetooth på telefonen er slått på og om den er innenfor en rekkevidde på 1 meter fra maskinen. 3. Har du skrevet inn riktig oppstartspassord, som standard er 0000? 4. Er WiFi-en 2,4 GHz? 5. Er WiFi-passordet riktig?

Feilkode	Betydning	Mulig årsak
E21	RTK-initialisering mislyktes	1. Sjekk om basestasjonen er installert riktig og om det er noen hindringer. 2. Sjekk om maskinen er hindret. 3. Sjekk om det er store hindringer som blokkerer signalet mellom basestasjonen og maskinen.
E22	Feil på frontkamera	Bekreft om kameraet er hindret.
E23	Tomme kart-feil	Vennligst opprett et kart før oppstart.
E24	RTK-basestasjonssignal tapt	1. Sjekk om basestasjonen er slått på. 2. Sjekk om basestasjonen er installert riktig. Hvordan installere RTK-stasjonen 3. Sjekk om det er noen hindringer mellom basestasjonen og maskinen. 4. Prøv å koble til basestasjonen på nytt.
E25	Kartlegging mislyktes	1. Bekreft om kartet er lukket. 2. Bekreft om maskinen har en god wifi-tilkobling.
E26	RTK-kalibrering mislyktes	Hvordan løse feilen "RTK-kalibrering mislyktes"?
EE	Forhandlerstøtte nødvendig	1. Dårlig kontakt med batterikortet 2. Feil på skjermkort 3. Feil på grensekort 4. Multifunksjonskortfeil 5. Maskinvarefeil 6. Andre feil
BP	Feil på batteritemperatur	1. Bekreft om omgivelsestemperaturen er for høy. 2. Bekreft om omgivelsestemperaturen er for lav.
LOCK	Låst. Prøv igjen etter 10 minutter.	1. Vennligst skriv inn riktig passord. 2. Hvis du har glemt passordet, kan du tilbakestille det til 0000 ved å tilbakestille fabrikkinnstillingene gjennom appen. 3. Hvis mobilappen ikke er koblet til maskinen, vennligst kontakt etter-salgstjenesten.
STOPP	Manuell stopp	STOPP-knappen er trykket inn.

Instruksjoner om hvordan du går frem ved unormale vibrasjoner:

- A.** Slå av maskinen.
- B.** Snu maskinen 180 grader.
- C.** Sjekk tilstanden til knivene for skade eller funksjonsfeil.
- D.** Det anbefales å bytte alle tre knivene.
- E.** Snu maskinen tilbake for å starte arbeidet.

7.2 Feilsøking

Hvis du støter på noen problemer relatert til produktet eller appen, vanlige problemer og spørsmål, sjekk ut FAQ-artiklene på Sunseekers offisielle nettsted (<https://support.sunseeker-elite.com>) eller i delen "Hjelp og tilbakemelding" fra appen.

8. Viktig informasjon

8.1 Datapersonvern

Behandling av personopplysninger innenfor Plattform X

• Hvem og hvorfor?

Når du registrerer deg for og bruker Sunseeker's Plattform X, vil Sunseeker (eller "vi"), som behandlingsansvarlig, behandle dine personopplysninger. Vi vil behandle dine personopplysninger for å:

1. Gi deg tilkobling til Plattform X eller gi deg et tilbud på en slik tjeneste. Det rettslige grunnlaget er at behandlingen er nødvendig for å oppfylle kontrakten du har inngått med oss, eller for å iverksette tiltak før inngåelse av en kontrakt med oss.
2. Videreutvikle og forbedre våre produkter og tjenester. Det rettslige grunnlaget er vår legitime interesse i å utvikle og forbedre våre produkter og tjenester.
3. Muliggjør tilkobling av Plattform X (Internet of Things): bruk partnerintegrasjoner (for eksempel smarte assistenter, inkludert stemmestyrte enheter); bruk tilkoblingsplattformer for å koble Plattform X til tredjepartsenheter, apper og tjenester; og bygg din egen smart home-integrasjon. Det rettslige grunnlaget er at behandlingen er nødvendig for å oppfylle kontrakten du har inngått med oss.
4. Gi deg relevant informasjon knyttet til din Plattform X-opplevelse. Det rettslige grunnlaget er vår legitime interesse i å holde deg informert om dine spesifikke produkter og tjenester og deres funksjoner.
5. Gi deg støtte og feilsøking angående Plattform X. Det juridiske grunnlaget er at behandlingen er nødvendig for å oppfylle kontrakten du har inngått med oss.

Hvis du har gitt oss ditt samtykke (i så fall er det rettslige grunnlaget ditt samtykke), kan vi også behandle dine personopplysninger for følgende formål:

1. Sende deg tilpassede annonser og nyhetsbrev om våre produkter og tjenester.
2. Send deg kundespørreundersøkelser og analyser innspillene du gir, som nærmere beskrevet i slik kommunikasjon.

Dine data vil bli behandlet så lenge det kreves av Sunseeker for å oppfylle de ovennevnte formålene, men under ingen omstendigheter lenger enn gjeldende lover tillater.

• Hvilke personopplysninger behandler vi?

Vi kan behandle følgende personopplysninger:

1. Personopplysninger: for- og etternavn, nasjonalitet, språkpreferanser;
2. Kontaktinformasjon: e-postadresse, postadresse;
3. Kontoinformasjon: kontotid, passord, kontonummer;
4. Andre data relatert til din Plattform X: gressklippervavn, paringsnavn, handlinger utløst gjennom bruk av partnerintegrasjoner og enhetsinformasjon.

• Bruk av stedsdata

Noen av våre tjenester fungerer kun hvis vi kan fastslå hvor gressklipperen din befinner seg (f.eks. værvisning). Når du deler din gressklippers posisjon med oss, lagres dataene som en del av profilen din og kan sendes til tredjeparter i pseudonymisert form for å levere den aktuelle tjenesten (f.eks. for å parkere gressklipperen i tilfelle kraftig regn).

8.2 Begrenset garanti

Begrenset garanti

Vi tilbyr 2 års garanti. Før du starter et garantikrav, ber vi deg om å sjekke FAQ- og Feilsøkingsdelen i brukerhåndboken først. Vår dedikerte kundesupport er også her for å hjelpe. For å starte garantikrav, vennligst gi et kjøpsbevis, inkludert en gyldig kvittering som viser dato og sted for kjøpet.

Vår garanti dekker ikke:

Deler som er utsatt for normal slitasje, som jordstaker, klippedisker og batteri.

8.3 Ansvarsfraskrivelser

Vi tilbyr kundene ettersalgstjenester, med unntak av følgende omstendigheter:

1. Skade forårsaket av krasj som skyldes ikke-produksjonsrelaterte faktorer, inkludert, men ikke begrenset til, brukerfeil.
2. Skade forårsaket av uautorisert modifikasjon, demontering eller åpning av skallet i strid med offisielle instruksjoner eller håndbøker.
3. Skade forårsaket av feil installasjon, feil bruk eller drift som ikke er i samsvar med offisielle instruksjoner eller håndbøker.
4. Skade forårsaket av en uautorisert tjenesteleverandør.
5. Skade forårsaket av uautorisert modifikasjon av kretser og/eller feilbruk eller misbruk av batteriet og laderen.
6. Skade forårsaket av brukere som ikke følger instruksjoner og anbefalinger i manualen.
7. Skade forårsaket av drift under dårlige plenforhold (dvs. store områder med pytter når avgrensede områder ikke er riktig satt, områder med mye stein som dekker plenoverflaten osv.)
8. Skade forårsaket av å bruke produktet i miljøer med elektromagnetisk forstyrrelse, inkludert gruveområder eller nærhet til radiotårn, høyspentledninger, transformatorstasjoner osv.
9. Skade forårsaket av å bruke produktet i miljøer med forstyrrelser fra andre trådløse enheter, som sendere, videonedlinker, Wi-Fi-signaler osv.
10. Skade forårsaket av pålitelighets- eller kompatibilitetsproblemer når uautoriserte tredjepartsdeler brukes.
11. Skader forårsaket ved drift av enheten med et lavt ladet eller defekt batteri.

12. Skade forårsaket av uforutsigbare faktorer som bilkollisjoner, ville dyr-angrep, flom osv.

Dette innholdet kan endres uten forvarsel.

FCC-erklæring

Denne enheten overholder del 15 av FCC-reglene. Drift er underlagt følgende to betingelser: (1) denne enheten må ikke forårsake skadelig interferens, og (2) denne enheten må akseptere all mottatt interferens, inkludert interferens som kan forårsake uønsket drift. Endringer eller modifikasjoner som ikke er uttrykkelig godkjent av den ansvarlige parten for samsvar, kan ugyldiggjøre brukerens rett til å betjene utstyret.

MERK

Dette utstyret er testet og funnet å overholde grensene for en klasse B digital enhet, i henhold til del 15 av FCC-reglene. Disse grensene er utformet for å gi rimelig beskyttelse mot skadelig interferens i en boliginstallasjon. Dette utstyret genererer, bruker og kan utstråle radiofrekvensenergi, og hvis det ikke er installert og brukt i samsvar med instruksjonene, kan det forårsake skadelig interferens med radiokommunikasjon. Det er imidlertid ingen garanti for at interferens ikke vil oppstå i en bestemt installasjon. Hvis dette utstyret forårsaker skadelig interferens med radio- eller TV-mottak, som kan bestemmes ved å slå utstyret av og på, oppfordres brukeren til å prøve å rette interferensen ved en eller flere av følgende tiltak:

- Reorienter eller flytt mottaksantennen.
- Øk avstanden mellom utstyret og mottakeren.
- Koble utstyret til en stikkontakt på en krets som er forskjellig fra den mottakeren er tilkoblet.
- Kontakt forhandleren eller en erfaren radio-/TV-tekniker for hjelp.
- For å oppfylle FCCs krav om RF-eksponering, bør en avstand på 20 cm eller mer opprettholdes mellom antennen til denne enheten og personer under drift. For å sikre samsvar, anbefales det ikke å operere nærmere enn denne avstanden.

ADVARSEL for knappcelle- eller myntbatteri:

- a) Fjern og resirkuler eller kast brukte batterier umiddelbart i henhold til lokale forskrifter, og hold dem unna barn.
- b) IKKE kast batterier i husholdningsavfall eller brenn dem.
- c) Selv brukte batterier kan forårsake alvorlig skade eller død.
- d) Kontakt et lokalt giftsenter for behandlingsinformasjon.
- e) Batteritype: CR2032.
- f) Nominell spenning: 3.0 Vdc.
- g) Ikke-oppladbare batterier skal ikke lades opp.
- h) Ikke tving utlading, lad opp, demonter, varm over (temperaturgrensen spesifisert av produsenten) eller forbrenn. Dette kan føre til skader på grunn av ventilering, lekkasje eller eksplosjon som resulterer i kjemiske brannskader.
- i) Produktet inneholder en ikke-erstattbar knappcelle.



EF-samsvarserklæring

Vi,
Zhejiang Sunseeker Industrial Co., Ltd.
988 Jinde Rd. Jiangdong Industrial Park, Jinhua, Zhejiang 321000 P.R. KINA

Erklærer og påtar oss ansvaret for at produktet:

Merkenavn: SUNSEEKER

Produktnavn: Robotgressklipper

Modell: RMX1600L20V,RMX2000L20V,RMX2500L20V,RMX1602N20V,RMX2002N20V,RMX2502N20V

Objektet for erklæringen beskrevet ovenfor er i samsvar med følgende EU-direktiver:

1. Radioutstyrsdirektiv (2014/53/EU)
2. Maskindirektiv (2006/42/EC)
3. RoHS direktiv (2011/65/EU) og endringsdirektiv ((EU)2015/863)
4. Støydirektiv (Vedlegg III til 2000/14/EC, endret ved 2005/88/EC)
- Lydtrykksnivå LpA: 52 dB (A), lydtrykksusikkerheter KpA: 3 dB (A)
- Deklarert garantert lydeffektnivå: 60 dB (A), lydeffektusikkerheter KWA: 3 dB (A)

Samsvar med disse direktivene er vurdert for dette produktet ved å demonstrere samsvar med følgende harmoniserte standarder og/eller tekniske spesifikasjoner:

EN 50636-2-107: 2015+A1:2018+A2: 2020+A3: 2021

EN 60335-1:2012+A11:2014+A13:2017+ A1:2019 + A2:2019+ A14:2019+A15:2021

EN IEC 55014-1:2021

EN IEC 55014-2:2021

EN IEC 61000-3-2:2019+A1:2021

EN 61000-3-3:2013+A1:2019+A2:2021

EN 301 489-1 V2.2.3

EN 301 489-3 V2.3.2

EN 301 489-17 V3.2.4

EN 301 489-19 V2.2.1

EN 301 489-52 V1.2.1

EN 301 511 V12.5.1

EN 301 908-1 V15.2.1

EN 301 908-13 V13.2.1

EN 303 413 V1.2.1

EN 300 220-2 V3.1.1

EN 300 328 V2.2.2

EN 62311:2008

EN IEC 62311:2020

EN 62321-1:2013

EN IEC 62321-2:2021

EN 62321-3-1:2014

EN 62321-8:2017

EN 62321-4:2014 /A1:2017

EN 62321-5:2014

EN 62321-7-1:2015

EN 62321-7-2:2017

EN 62321-6:2015

EN 62321-8:2017

EN ISO 11094:1991

EN ISO 3744:1995

EN ISO 3744:2010

RF-eksponeringsinformasjon

Denne enheten er testet og oppfyller gjeldende grenseverdier for radiofrekvens (RF)-eksponering.

Dette utstyret må installeres og betjenes i samsvar med de medfølgende instruksjonene, og antennen(e) som brukes for denne senderen må installeres for å sikre en avstand på minst 20 cm fra alle personer og må ikke være plassert eller operere sammen med noen annen antenne eller sender.

Signert for og på vegne av: Zhejiang Sunseeker Industrial Co., Ltd.

Sted: Jinhua, Zhejiang P.R. KINA

Dato: 09-07-2024

Navn: Harry Ran

Tittel: Sjefsingeniør

Signatur: 

Taulukko sisältö

1. Turvallisuus ja Määräykset	196
1.1 yleistä	196
1.2 Yleiset Turvallisuusohjeet	196
1.3 asennuksen Turvallisuusohjeet.....	197
1.4 päivittäisen käytön Turvallisuusohjeet.....	198
1.5 huolto-ohjeet.....	198
1.6 Akun Turvallisuus.....	198
2. Symbolit ja tarrat	198
3. Sisältö ja erittely	199
3.1 Laatikon Sisältö.....	199
3.2 osat ja toiminnot.....	200
4. Asennus.....	202
4.1 valmisteet.....	203
4.2 Asenna latausasema	203
4.3 Asenna RTK-tukiasema	203
4.4 Lataa ja aktivoi leikkuri.....	204
4.5 Sovelluksen Yhteys.....	205
5. Päivittäinen Toiminta	206
5.1 leikkurin näyttö ja ohjaus.....	206
5.2 Vaihda PIN-koodi.....	207
5.3 IoT	207
5.4 Esteiden Välttäminen	207
6. Huolto.....	208
6.1 Puhdistus.....	208
6.2 Vaihda Terät.....	210
6.3 Liikenne	210
6.4 akku.....	210
6.5 Virtalähde	211
6. 6 säilytys	212
6.7 kierrätys ja loppukäsittely	213
7. UKK ja vianetsintä	214
7.1 Virheilmoitus.....	214
8. Tärkeää Tietoa	215
8.1 Tietosuoja.....	215
8.2 Rajoitettu Takuu.....	215
8.3 vastuuvapauslausekkeet	215

1. Turvallisuus ja Määräykset

1.1 yleistä

TÄRKEÄ
LUE HUOLELLISESTI ENNEN KÄYTTÖÄ
SÄILYÄ MYÖHEMPÄÄ KÄYTTÖÄ VARTEN

Käyttötarkoitus

Tämä puutarhatuote on tarkoitettu ainoastaan nurmikonleikkuun, joka leikkaa automaattisesti puutarhan ruohon mihin vuorokaudenaikaan tahansa. Käyttötarkoituksen ulkopuolinen käyttö voi aiheuttaa vaaratilanteita, joista voi aiheutua haittaa henkilöille ja/tai vahinkoa omaisuudelle. On ehdottoman tärkeää noudattaa tarkasti määritellyt ohjeita turvallisuuden varmistamiseksi ja onnettomuuksien estämiseksi.

Ei Tarkoitettu Käytettäväksi

Tätä puutarhatuotetta ei ole tarkoitettu lasten tai sellaisten henkilöiden käyttöön, joilla on heikentyneet fyysiset, sensoriset tai psyykkiset kyvyt tai joilla ei ole riittävästi kokemusta tai tietoa, ellei heidän turvallisuudestaan vastaava henkilö ole valvonut tai opastanut heitä tuotteen käytössä.

Epäasianmukainen käyttö käsittää, mutta ei rajoitu, ihmisten, lasten tai eläinten kuljettamisen koneessa; koneen kuljettaminen; koneen käyttäminen kuormien vetämiseen tai työntämiseen; ja koneen käyttäminen muun kuin ruohokasvillisuuden leikkaamiseen.

Jäännösriskit- Käytä suojakäsineitä ja silmälaseja, kun suoritat huoltoa tai vaihdat teriä vammojen sattuessa.

Älä pidennä kaapelia virtalähteen ja latausaseman välillä.



VAROITUS

- Älä koske vaarallisiin liikkuviin osiin ennen kuin ne ovat pysähtyneet kokonaan.

- Pidä virtajohto, virtalähde, jatkojohto ja kaikki muut sähkökaapelit, jotka eivät kuulu tuotteeseen leikkausalueen ulkopuolella, jotta ne pysyvät etäällä vaarallisista liikkuvista osista ja estävät kaapeleiden vaurioitumisen, jotka voivat joutua kosketuksiin jännitteisten osien kanssa. Käyttäjä tai sivulliset voivat loukkaantua tai kuolla, jos käyttöohjeen ohjeita ei noudateta.

- Automaattinen ruohonleikkuri! Pysy kaukana koneesta! Lapsia on valvottava!

- Tallenna kaikki varoitukset ja ohjeet myöhempää käyttöä varten.

- Lue kaikki tämän tuotteen mukana toimitetut turvallisuusvaroitukset, ohjeet, kuvat ja tekniset tiedot. Kaikkien alla lueteltujen ohjeiden noudattamatta jättäminen voi johtaa sähköiskuun, tulipaloon ja/tai vakavaan loukkaantumiseen.

1.2 Yleiset Turvallisuusohjeet

Työalueen turvallisuus

A. Älä käytä koneita räjähdysvaarallisissa tiloissa, kuten palavien nesteiden, kaasujen tai pölyn läsnä ollessa. Koneet luovat kipinöitä, jotka voivat sytyttää pölyn tai höyryä.

B. Lue Tunne koneen hallintalaitteet ja oikea käyttö.

C. NÄlä koskaan anna ihmisten, jotka eivät tunne näitä ohjeita, tai lasten käyttää konetta. Paikalliset määräykset voivat rajoittaa käyttäjän ikää.

D. Tkäyttäjä tai käyttäjä on vastuussa muille ihmisille tai heidän omaisuudelleen aiheutuvista onnettomuuksista tai vaaroista.

Sähköturvallisuus

A. Verkkopistokkeiden on vastattava pistorasiaa. Älä koskaan muokkaa pistoketta millään tavalla. Älä käytä laturin pistokkeita maadoitettujen (maadoitettujen) laitteiden kanssa. Muokkaamattomat pistokkeet ja yhteensopivat pistorasiat vähentävät sähköiskun vaaraa.

B. Vältä kehon kosketusta maadoitettujen tai maadoitettujen pintojen, kuten putkien, lämpöpattereiden, alueiden ja jääkaappien, kanssa.. Sähköiskun vaara on suurempi, jos kehosi on maadoitettu tai maadoitettu.

C. Älä käytä virtajohtoja väärin. Älä koskaan käytä virtajohtoa laitteen kantamiseen, vetämiseen tai irrottamiseen. Pidä virtajohdot kaukana lämmöstä, öljystä, terävistä reunoista tai liikkuvista osista. Vaurioituneet tai sotkeutuneet virtajohdot lisäävät sähköiskun riskiä.

D. If it is unavoidable to operate a mains-powered device in a damp location, use a residual current device (RCD) protected supply. RCD:n käyttö vähentää sähköiskun vaaraa.

E. Varmista automaattisen kehien rajausjärjestelmän oikea asennus ohjeiden mukaisesti.

F. tarkista säännöllisesti alue, jossa konetta käytetään, ja Poista Kaikki kivet, tikut, johdot, luut ja muut esteet..

G. CTarkista terät, teräpultit ja leikkurikokoonpano säännöllisesti kulumisen tai vaurioiden varalta vaihda kuluneet tai vaurioituneet terät ja pultit sarjoina tasapainon säilyttämiseksi..

H. monikarakoneissa ole varovainen, koska yhden terän pyöriminen voi aiheuttaa muiden terien pyörimisen..

Henkilökohtainen turvallisuus

A. Älä anna henkilöiden, jotka eivät tunne konetta tai näitä ohjeita, käyttää konetta. Koneet ovat vaarallisia kouluttamattomien käyttäjien käsissä.

B. Pysy valppaana, tarkkaile mitä teet ja käytä tervettä järkeä konetta käyttäessäsi.Pysy valppaana, tarkkaile mitä teet ja käytä tervettä järkeä konetta käyttäessäsi. Älä käytä laitetta väsyneenä tai huumeiden, alkoholin tai lääkkeiden vaikutuksen alaisena. Hetkellinen tarkkaamattomuus konetta käytettäessä voi aiheuttaa 1094 vakavia henkilövahinkoja.

C. Poista säätöavain tai jakoavain ennen koneen käyttöä.. Koneen pyörivään osaan kiinnitetty jakoavain tai avain voi aiheuttaa henkilövahinkoja.

D. Kun ohjaat konetta manuaalisesti, pidä aina oikea jalka ja tasapaino. Tämä mahdollistaa koneen paremman hallinnan odottamattomissa tilanteissa.

E. Älä anna koneiden toistuvasta käytöstä saadun tuttuuden antaa sinun tulla omahyväiseksi ja jättää huomiotta koneen turvallisuusperiaatteet. Huolimaton toiminta voi aiheuttaa 1101: lle vakavan vamman sekunnin murto-osassa.

Koneiden käyttö ja hoito

A. irrota pistoke virtalähteestä ja / tai irrota akku (jos se on irrotettavissa) koneesta tai muista laitteista ennen säätöjen tekemistä, lisävarusteiden vaihtamista tai varastointia. Tällaiset ennaltaehkäisevät turvatoimet vähentävät tahattoman käynnistymisen riskiä.

B. Huoltaa koneita ja tarvikkeita. Tarkista liikkuvien osien väärä suuntaus tai sitominen, osien rikkoutuminen ja kaikki muut olosuhteet, jotka voivat vaikuttaa koneen toimintaan. Jos laite on vaurioitunut, korjauta se ennen käyttöä. Monet onnettomuudet johtuvat huonosti huolletuista koneista ja lisävarusteista.

C. Käytä konetta ja lisävarusteita näiden ohjeiden mukaisesti ottaen huomioon työolosuhteet ja tehtävä työ. Koneen käyttö muuhun kuin tarkoitettuun toimintaan voi johtaa vaaratilanteeseen.

D. älä koskaan käytä konetta viallisilla suojuksilla tai ilman turvalaitteita..

E. Älä laita käsiä tai jalkoja pyörivien osien lähelle tai alle. Pysykää poissa purkausaukosta koko ajan.

F. Älä koskaan nosta tai kannan konetta moottorin käydessä.

G. Aktivoi laitteen Lukko / Aseta "lukita" koneeseen
- ennen tukoksen tyhjentämistä;
- ennen koneen tarkistamista, puhdistamista tai työskentelyä.

H. älä jätä konetta toimimaan ilman valvontaa, jos tiedät, että läheisyydessä on lemmikkejä, lapsia tai ihmisiä.

Palvelu

A. Anna pätevän korjaajan huoltaa koneesi käyttämällä vain identtisiä varaosia. Näin varmistetaan, että koneen turvallisuus säilyy.

B. Pidä kaikki mutterit, pultit ja ruuvit tiukasti varmistaaksesi, että kone on turvallisessa toimintakunnossa.

C. Tarkista ruohosieppari usein kulumisen tai heikkenemisen varalta.

D. vaihda kuluneet tai vaurioituneet osat turvallisuuden vuoksi.

E. Varmista, että oikeat terät on vaihdettu.

F. varmista, että akut ladataan valmistajan suosittelemalla oikealla laturilla. Virheellinen käyttö voi aiheuttaa sähköiskun, ylikuumentumisen tai syövyttävän nesteen vuotamisen akusta.

G. Jos elektrolyyttihuuhtelu vedellä/neutraloivalla aineella vuotaa, hakeudu lääkärin hoitoon, jos se joutuu kosketuksiin silmien kanssa jne.

H. koneen huollon tulee tapahtua valmistajan ohjeiden mukaisesti..

AKKU työkalun käyttö ja hoito

A. Lataa vain valmistajan määrittämällä laturilla. Laturi, joka soveltuu tiettytyypiselle AKK, voi aiheuttaa tulipalon vaaran, kun sitä käytetään toisen AKKU kanssa.

B. käytä vain sähkötyökaluja, joissa on erikseen nimetyt akut. Muiden AKUSTA jen käyttö saattaa aiheuttaa vammoja ja tulipaloriskin.

C. Kun akku ei ole käytössä, pidä se poissa muista metalliesineistä, kuten paperiliittimistä, kolikoista, avaimista, nauloista, ruuveista tai muista pienistä metalliesineistä, jotka voivat muodostaa yhteyden liittimestä toiseen. AKUSTAN napojen oikosulku voi aiheuttaa palovammoja tai tulipalon.

D. Väärinkäyttöolosuhteissa neste voidaan poistaa akusta; vältä kosketusta. Jos valmistetta joutuu vahingossa kosketukseen, huuhtele vedellä. Jos nestettä joutuu silmiin, hakeudu lääkäriin. AKUSTA pursuava neste voi aiheuttaa ärsytystä tai palovammoja.

E. Älä käytä akkua tai työkalua, joka on vaurioitunut tai muutettu. Vaurioituneet tai muutetut akut voivat käyttäytyä arvaamattomasti ja aiheuttaa tulipalon, RÄJÄHDYKSEN tai loukkaantumisvaaran.

F. Älä altista akkua tai työkalua tulelle tai liialliselle lämpötilalle. Altistuminen tulelle tai yli 130 °C:n lämpötilalle voi aiheuttaa räjähdysriskin.

G. noudata kaikkia latausohjeita äläkä lataa akkua tai työkalua ohjeissa määritellyn lämpötila-alueen ulkopuolella.. Lataaminen väärin tai määritellyn alueen ulkopuolisissa lämpötiloissa voi vahingoittaa AKKUA ja lisätä tulipalon vaaraa.

1.3 asennuksen Turvallisuusohjeet

A. Älä asenna latausasemaa, mukaan lukien mitään lisävarusteita, alle tai 24 tuuman sisällä olevaan paikkaan. mistä tahansa palavasta aineesta.. Toimintahäiriön sattuessa latausasema ja virtalähde voivat kuumentua ja aiheuttaa mahdollisen tulipalon vaaran.

B. älä aseta virtalähdettä korkeudelle, jossa on vaara, että se voidaan laittaa veteen. Älä aseta virtalähdettä maahan.

C. Älä kapseloi virtalähdettä.. Kondensoitunut vesi voi vahingoittaa virtalähdettä ja lisätä sähköiskun riskiä.

D. Sovelletaan Yhdysvaltoihin / Kanadaan. Jos virtalähde asennetaan ulkotiloihin: Sähköosokkiin liittyvä riski Asenna vain katettuun luokan A GFCI-pistorasiaan (RCD), jossa on säänkestävä kotelo ja pääsy kiinnityspistokkeen kannen asettamiseen tai poistamiseen.

E. Älä asenna latausasemaa paikkaan, jossa on seisovan veden vaara.

1.4 päivittäisen käytön Turvallisuusohjeet

- A.** Pidä kädet ja jalat poissa pyörivistä teristä. Älä laita käsiäsi tai jalkojasi tuotteen lähelle tai sen alle, kun se on asetettu ON-asentoon.
- B.** käytä puistotilaa tai aseta tuote pois päältä, kun henkilöt, erityisesti lapset tai eläimet, ovat työalueella.
- C.** Varmista, että nurmikolla ei ole esineitä, kuten kiviä, oksia, työkaluja tai leluja. Terät voivat vaurioitua, jos ne osuvat esineeseen.
- D.** älä nosta tuotetta tai siirrä sitä, kun se on asetettu päälle..
- E.** Älä anna tuotteen törmätä ihmisiin tai eläimiin.. Jos ihminen tai eläin joutuu tuotteen tielle, pysäytä tuote välittömästi.
- F.** Älä laita esineitä tuotteen tai latausaseman päälle..
- G.** Älä käytä tuotetta, jos STOP-painike ei toimi.
- H.** aseta tuote aina pois päältä, kun se ei ole käytössä.
- I.** Älä käytä tuotetta ja ponnahdusikkunaa samanaikaisesti. Käytä aikataulutoimintoa samaan aikaan.
- J.** älä anna tuotteen toimia, kun työalueella on seisovaa vettä, kuten alue, jossa on rankkasateen muodostamia vesialtaita.

1.5 huolto-ohjeet

- A.** aseta tuote pois päältä, kun teet tuotteen huollon.
- B.** Älä käytä korkeapainepesukonetta tuotteen puhdistamiseen. Älä käytä liuottimia tuotteen puhdistamiseen.
- C.** irrota pistoke latausasemasta ennen kuin puhdistat tai huollat latausasemaa.

1.6 Akun Turvallisuus

Litiumioniakut voivat räjähtää tai aiheuttaa tulipalon, jos ne puretaan, oikosuljetaan tai altistetaan vedelle, tulelle tai korkeille lämpötiloille. Käsittele varovasti äläkä pura tai avaa akkua tai käytä minkäänlaista sähköistä/ mekaanista väärinkäyttöä. Vältä varastointia suorassa auringonpaisteessa

2. Symbolit ja tarrat






Nämä symbolit löytyvät tuotteesta. Lue ne huolellisesti.

	VAROITUS: Lue käyttöohjeet ennen tuotteen käyttöä.
	VAROITUS: Poista tuote käytöstä ennen koneen käsittelyä tai nostamista. Älä koskaan koske pyörivään terään.
	VAROITUS: Pidä turvallinen etäisyys koneesta, kun käytät sitä. Pidä muut ihmiset poissa vaara-alueelta.
	VAROITUS: Älä aja koneen päällä.
	Käytä irrotettavaa virtalähdettä, joka on määritelty symbolin vieressä olevassa arvokilvessä.
	CE-vaatimustenmukaisuusmerkki.
	Äänitehotaso, joka on määritelty eurooppalaisen ulkomeludirektiivin mukaisesti. Tuotteen päästöt on esitetty teknisissä tiedoissa sivulla 6 ja arvokilpi.
	Älä hävitä tätä tuotetta tavanomaisena kotitalousjätteenä Varmista, että tuote kierrätetään paikallisten lakisääteisten vaatimusten mukaisesti.
	Alaluokka III
	DC

Symbolit akkupaketissa

	Lue käyttöohjeet.
	Älä heitä akkua tuleen äläkä altista akkua lämmönlähteelle.
	Älä upota akkua veteen.
	Kierrätettävä merkki.
	Tätä paristoa ei saa hävittää tavanomaisena kotitalousjätteenä. Varmista, että akku on kierrätetty paikallisten lakisääteisten vaatimusten mukaisesti

Symbolit laturissa

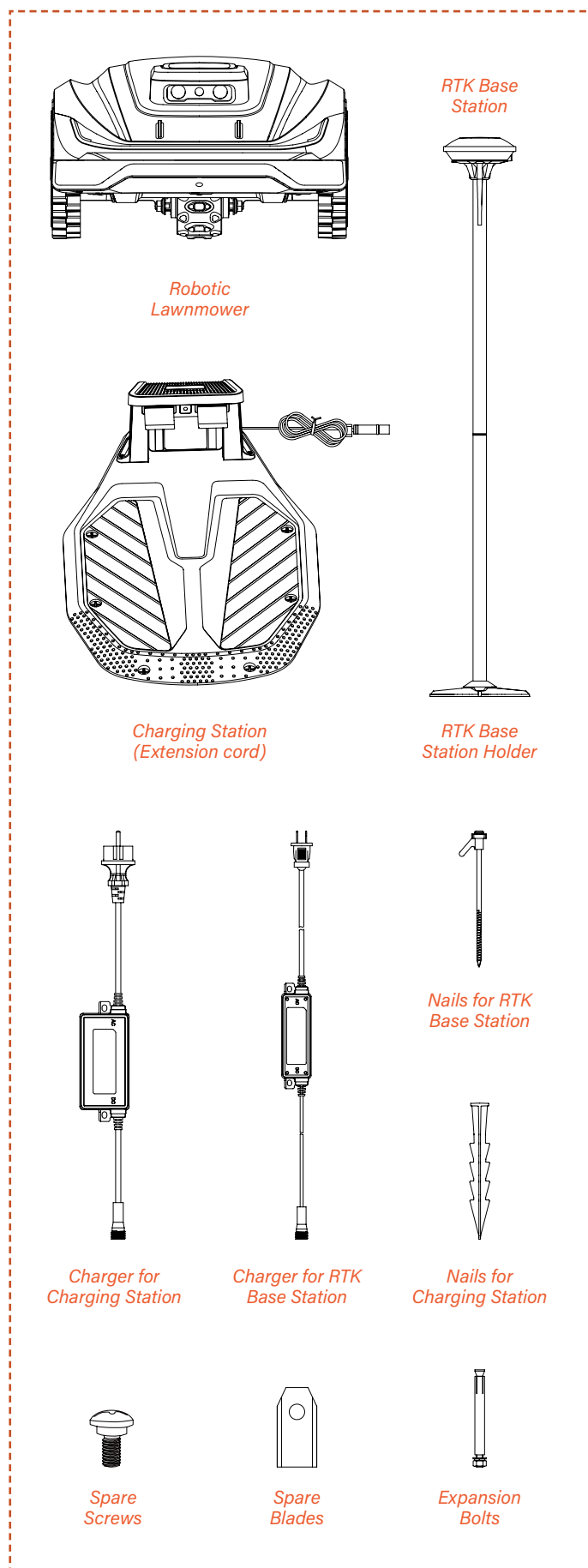
	Lue käyttöohjeet.
T3.15A 	Vaihda sulake luokituksen mukaisesti.
T2A 	Vaihda sulake luokituksen mukaisesti.
	Luokan II rakenne.
	Ei saa heittää pois lajittelemattomana jätteenä, vaan se on lähetettävä erilliskeräytiloihin hyödyntämistä ja kierrätystä varten paikalliset lakisääteiset vaatimukset.

Symbolit robotin näytöllä

	Virta päälle / pois
	Käynnistä-painike
	Koti-painike
	Ok-painike
	PIN-koodin asetus
	Aikojen asetus
	Bluetooth
	Wi-Fi

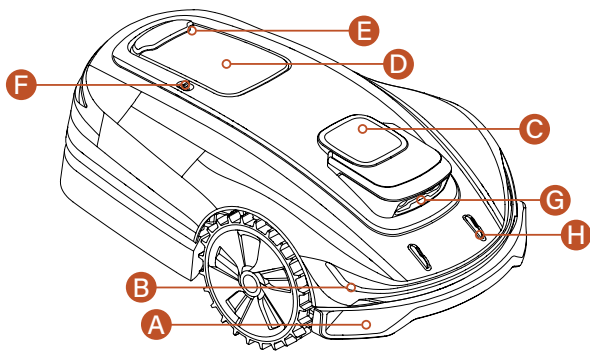
3. Sisältö ja erittely

3.1 Laatikon Sisältö



3.2 osat ja toiminnot

yläosa katsottuna



G - Binocular Camera-AI-assisted binocular camera auttaa leikkuria havaitsemaan ja välttämään esteet.

H - Latauselektrodit-koneen latauselektrodit yhdistyvät latausaseman elektrodeihin koneen akun lataamiseksi.

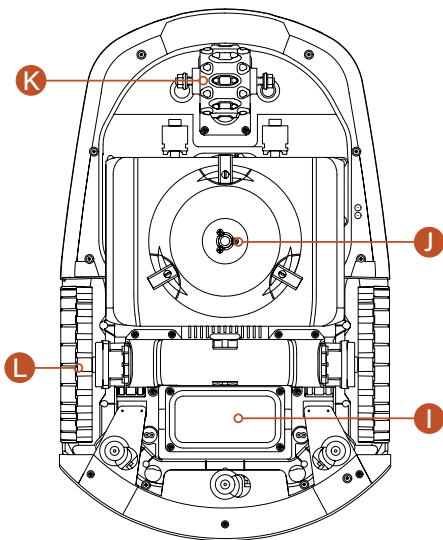
I - paristolokero - pariston säilytyslokero.

J - pyörivä Leikkuulevy - laite nurmikon leikkaamiseen, kun kone on käytössä.

K - pyörän Napamoottori-erinomainen ohjauksen ohjauslaite ja virtalähde toimintaan.

L - vetopyörät - teho liikettä varten erinomaisilla maastominaisuuksilla.

Alhaalta Näkymä



HUOMAUTUS

Älä upota konetta veteen, koska se voi vahingoittaa komponentteja ja mitätöidä takuun määritetyn ajan kuluessa.

A - Törmäyspuskuri-kun visuaalinen paikannus ei ole käytettävissä, törmäyspuskuri voi varmistaa koneen normaalin toiminnan.

B - LED-valot-leikkurin erilaiset vuorovaikutteiset LED-valot ilmaisevat koneen toimintatilan.

C - RTK-Paikannusantenni-interaktiivinen paikannuslaite RTK-tukiasemalle, koneeseen ja satelliitteihin.

D - Ohjauspaneeli-paneeli koneen virran kytkemiseksi päälle ja pois; koneen komentamiseksi toimimaan tai palaamaan; ja jne.

E - STOP-painike-hätäpysäytyspainike koneen pysäyttämiseksi kiireellisissä tilanteissa.

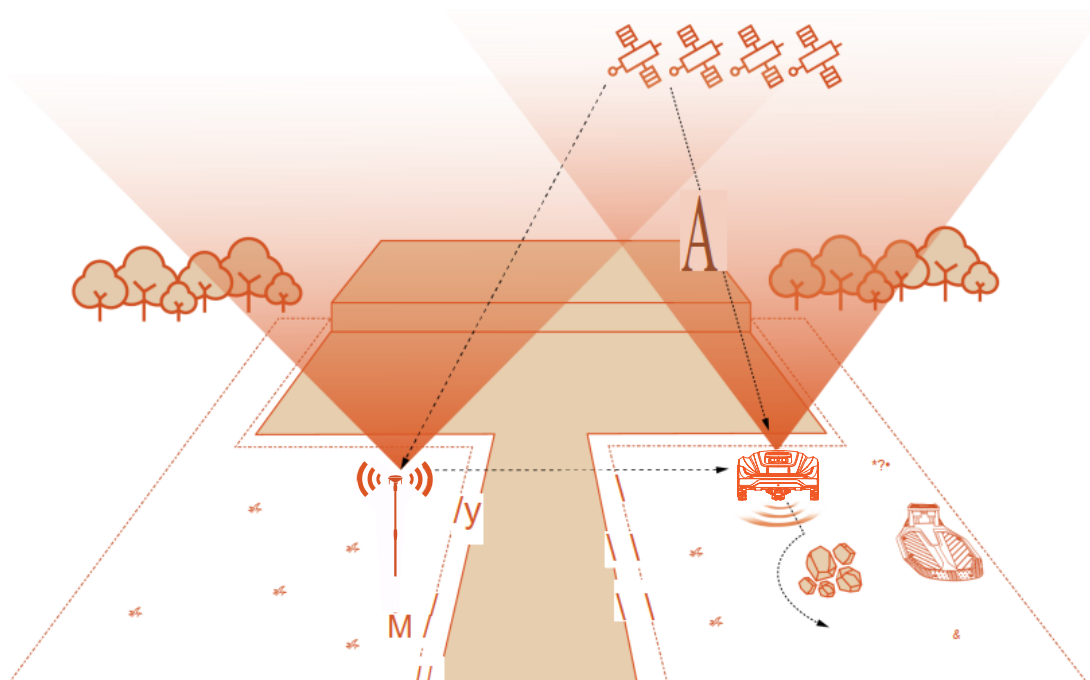
F - Sadetunnistin-Sadetunnistin voi havaita sateen ja kone voi palata latausasemalle automaattisesti sateen välttämiseksi käyttäjän asetusten mukaan.

3.3 Tekniset tiedot

TEKNISET MÄÄRITTELYT	X5-2000 RMX2000L20V
Rajoituslanka	Langaton / rajavapaa
Max niittoalue	2000m ²
Leikkuukorkeus min / max	20-60mm
Korkeuden säätö	Manual
Leikkuuleveys	22cm
Akun Kapasiteetti	5 Ah
Käyt töliittymä	Sovelluksen ja näppäimistön näyttö
Max kaltevuus	30° (60%)
Robotin mitat	680*420*275 cm
Varmenne	CE RoHS
Nettopaino	11.8 kg
Äänitehotaso LWA	60 dB (A)
Äänitehon epävarmuustekijät KWA	3dB(A)
Äänenpainetaso LpA	52 dB (A)
Äänitehon Epävarmuustekijät KpA	3dB(A)
OMINAISUUS	
Wifi / Bluetooth	▪
Älykäs kartoitus	▪
Polun suunnittelu	3 vaihtoehtoa
VSLAM	▪
Super Wifi	▪
FOTA	▪
Nopea paluu latausasemalle	▪
ÄÄNIMERKINANTOLAITTEEN (kaikki pyörävetoiset) Pyörät	3 wielen
Puutarhan kartta sovelluksessa	▪
Monivyöhykkeet	Enintään 8
Työaikataulu (ratkaistaan APPsessa)	Automaattinen tai manuaalinen asetus sovelluksen kautta
Kolahdusanturi	▪
Vesipesu	▪
Varkaudenesto: GPS + 4G*	○
Google assistant & Amazon Alexa	▪
PIN-koodi	▪
Nosto- ja kallistusanturi	▪
Sadetunnistin	▪
Eco-tila	▪
LED-ajovalot	▪
TARVIKKEET	
Pohjakiinnitys kynnet	8 pcs
Laturi	3 A (CGF253)
Virtalähde	1.1 A (CGF251)/2 A (CGF152)

4. Asennus

RTK:n täyden taajuuden satelliittipaikannustekniikka auttaa ruohonleikkuria hankkimaan tarkkaa sijaintitietoa. Yhdessä Vslam Technologyn ja Sunseeker Airin (Artificial Intelligence Recognition) kanssa robotti voi suorittaa paikannus- ja navigointitehtäviä erilaisissa skenaarioissa, mukaan lukien monimutkaiset ympäristöt, varmistaen korkealaatuisen nurmikon ylläpidon. Sunseekerin kehittyneet laitteistot ja ohjelmistot (älykkäät algoritmit) parantavat merkittävästi ruohonleikkurin ympäristötunnistusta, paikannustarkkuutta ja yleistä suorituskykyä. Kuten ihmisäivot, Sunseekerin kehittyneet algoritmit käsittelevät tietoja RTK:stä (reaaliaikainen kinemaattinen), Vslam:stä (visuaalinen samanaikainen lokalisointi ja kartoitus), IMU:stä (inertiaalinen mittausyksikkö) ja matkamittareista ympäristön tunnistamisen optimoimiseksi erilaisissa olosuhteissa. Sunseeker RTK-teknikka, joka vastaanottaa täystaajuisia satelliittisignaaleja ja suorittaa reaaliaikaisen paikannuksen, antaa käyttäjille mahdollisuuden asettaa ruohonleikkureilleen virtuaaliset rajat, mikä poistaa perinteisten rajajohtojen tarpeen. Näiden virtuaalisten rajojen sisällä ruohonleikkuri voi suunnitella leikkuupolkunsa erittäin tarkasti ja tehokkaasti saavuttaen optimaalisen leikkuepeiton.

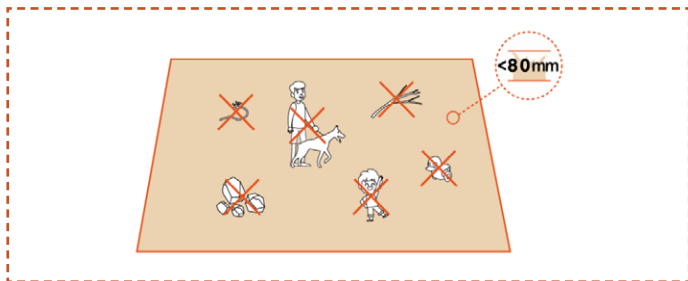


4.1 valmisteet

Valmista nurmikko

- A. Poista kaikki roskat, lehtikasat, lelut, johdot, kivet tai muut esteet.
- B. turvallisuuden varmistamiseksi varmista, että lapset ja lemmikit ovat poissa nurmikolta.
- C. leikkaa nurmikko enintään 80 mm: n korkeuteen ennen robottileikkurin käyttöä.
- D. nurmikon kokonaiskoko vaihtelee 2000 m².

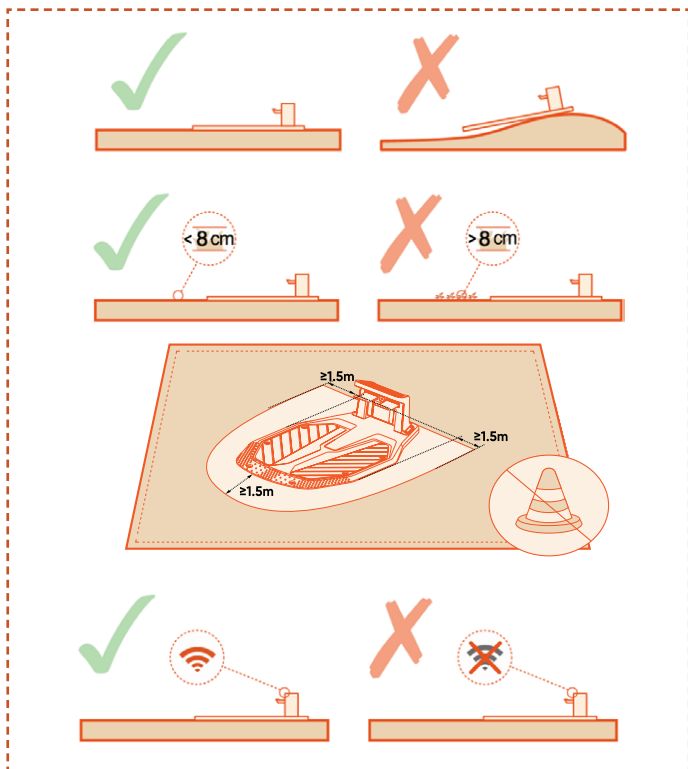
Suosittelut nurmikkotyypit näkyvät alla olevissa kuvissa:



4.2 Asenna latausasema

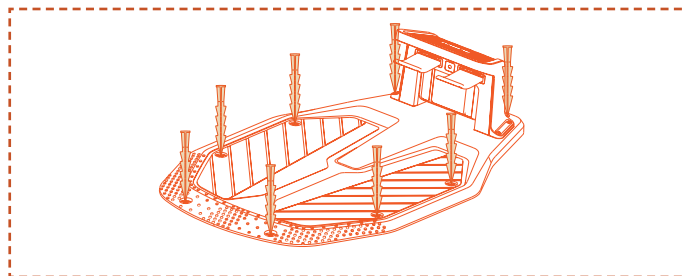
Löydä sopiva sijainti

Varmista, että ruohonleikkuri voi onnistuneesti poistua ja palata latausasemalle, asenna latausasema avoimelle tasaiselle maalle, joka on kotitalouksien WIFI. Latausaseman edessä ei saa olla esteitä 1,5 metrin säteellä. Jos ruohoa on, sen tulisi olla alle 8 cm.

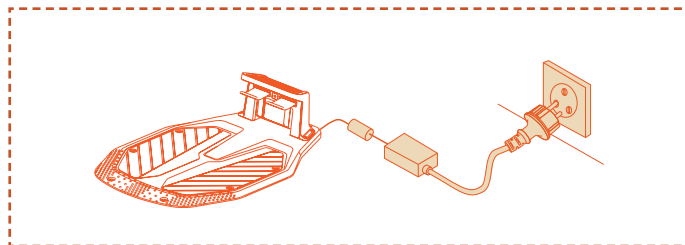


Asenna latausasema

- A. naulaa latausasema karkaisemattomaan ja tasaiseen maahan.



- B. Liitä virtajohto virtalähteeseen. Jos latausaseman ja virtalähteen välillä on merkittävä etäisyys, varmista, että virtajohto on kiinnitetty tukevasti maahan ja seinään turvallisen käytön varmistamiseksi.

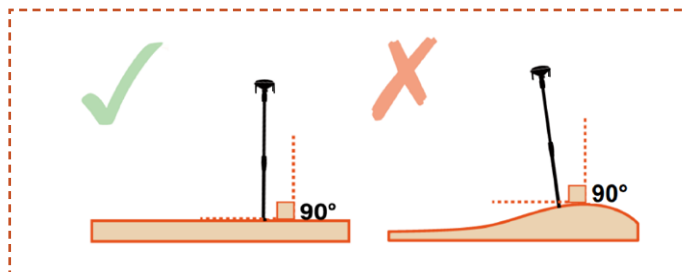


- C. Jos täydellistä avoimuutta kaikilta puolilta ei voida saavuttaa, pidä ainakin eteläinen taivas kirkkaana pohjoisella pallonpuoliskolla tai pohjoinen taivas eteläisellä pallonpuoliskolla. Yritä pitää Itä- ja länsipuolella esteetön.

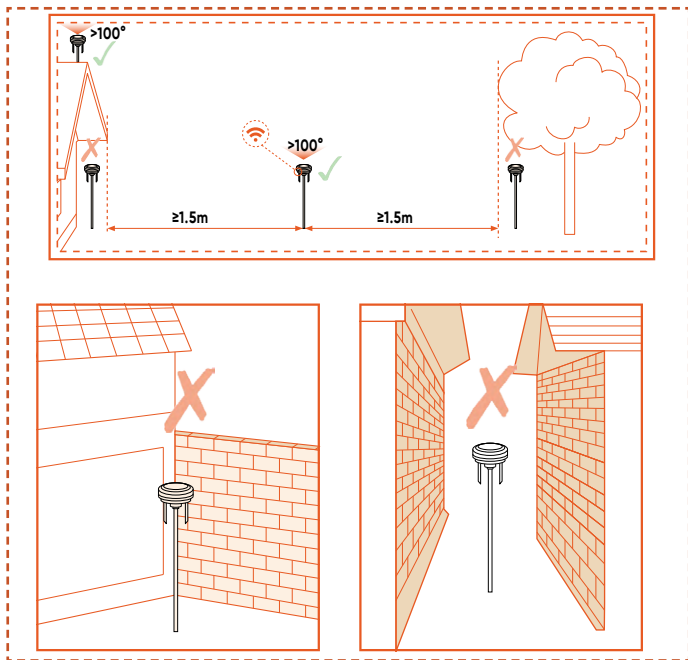
4.3 Asenna RTK-tukiasema

Löydä sopiva sijainti

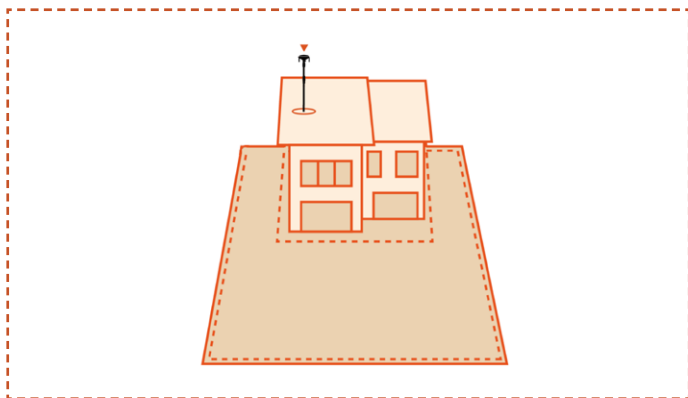
- A. Aseta RTK-tukiasema pystyasentoon. Vältä asentamasta RTK-tukiasemaa rinteeseen.



- B. sijainnin tulee kuulua kotitaloutesi Wi-Fi-verkkoon.
- C. satelliittisignaalin hyvän vastaanoton varmistamiseksi asenna asema avoimeen ja tasaiseen tilaan, jossa mikään ei estä signaalia, jossa sillä on vähintään 100° selkeä signaalin Vastaanottokulma esteettömällä taivaalla.
- D. RTK-tukiaseman ja seinän tai puiden välisen etäisyyden on oltava suurempi kuin 1,5 m.



E. Jos sinulla on erilliset nurmikot tai jos nurmikkosi on O-, U-kirjaimen muotoinen, suosittelemme, että asennat RTK-tukiaseman katolle tai seinälle.



F. Jos täydellistä avoimuutta kaikilta puolilta ei voida saavuttaa, pidä ainakin eteläinen taivas kirkkaana pohjoisella pallonpuoliskolla tai pohjoinen taivas eteläisellä pallonpuoliskolla. Yritä pitää itä- ja länsipuolella esteetön.

Asenna RTK-tukiasema

- A.** käytä nauvoja asentaaksesi RTK-tukiaseman paikkaan, jossa on helposti lähestyttävä virtalähde.
- B.** Liitä jatkojohto ja laturi RTK-tukiasemaan
- C.** kytke RTK-tukiasema virtalähteeseen.

Tarkista satelliitin signaali



Sijainnin Merkkivalo

- Kiinteä vihreä: Hyvä satelliittisignaali.
- Kiinteä oranssi: Heikko satelliittisignaali tässä paikassa; on suositeltavaa asentaa tukiasema uudelleen alueelle, jolla on parempi signaali ja jossa ei ole esteitä.
- Kiinteä punainen: Erittäin heikko satelliittisignaali tässä paikassa; sinun on asennettava tukiasema uudelleen alueelle, jolla on parempi signaali, jossa ei ole esteitä

Wi-Fi-Merkkivalo

- Kiinteä vihreä: Wi-Fi-yhteys ja palvelinyhteys muodostettu
- Vilkuva vihreä: Wi-Fi-yhteys tai ei yhteyttä palvelimeen
- Ei vihreää valoa: WiFi ei ole yhteydessä

Super Wi-Fi-Merkkivalo

- Kiinteä vihreä: Normaali viestintä
- Vilkuva vihreä: Pariliitos käynnissä
- Ei vihreää valoa: Kommunikaation poikkeavuus

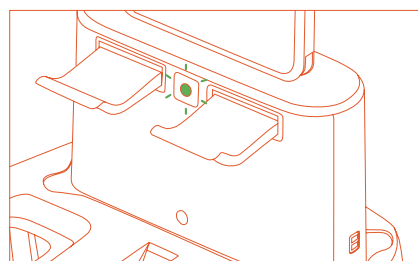
Virran Merkkivalo

- Kiinteä vihreä: Tehon poikkeavuus
- Vilkuva vihreä: Teho normaali
- Ei vihreää valoa: Ei virtaa

4.4 Lataa ja aktivoi leikkuri

Charge the mower

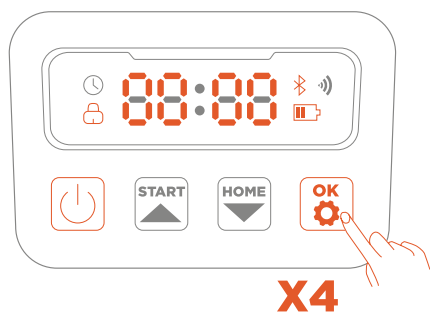
Työnnä leikkuri latausasemaan ja varmista, että latauselektrodit kytkeytyvät oikein. Latausaseman vilkuva vihreä valo ilmaisee normaalia latausta.



Aktivoi leikkuri

- A.** Paina pitkään virta päälle-painiketta ja kirjoita salasana. Oletusarvoinen PIN-koodi on "0000". Paina OK-painiketta joka kerta, kun syötät 0, jotta saat asetukset valmiiksi.
- B.** Kun syötät salasanaa, voit käyttää Käynnistä-painiketta plus-näppäimenä (+) ja Koti-painiketta miinus-näppäimenä (-).

C. Jos haluat vaihtaa salasanan, paina pitkään Käynnistä- ja Koti-painiketta samanaikaisesti vaihtaaksesi salasanan.



Huomautus

Jos merkkivalo ei pala, vaikka virta on kytketty kunnolla, ota yhteyttä asiakastukeen.

! Varoitus

Älä pudota maksuja maahan virtuaalisten rajojen sisällä.

Jos latausasema on asennettu virtuaalisten rajojen sisään, kiinnitä jatkojohto maahan varmistaaksesi leikkurin oikean toiminnan.

! VAROITUS

- Älä lataa, jos kone, Laturi, latausasema tai pistorasia on vaurioitunut.

- Älä lataa leikkuria, kun lämpötila on yli 40 °C (104 °F) tai alle 5 °C (41 °F).Latausta ei tapahdu, jos lämpötilarajat ylittyvät.

- Lopeta lataus välittömästi, jos ilmenee epänormaalia hajua, ääntä tai valoa.

- Vältä lataamista helposti syttyvien tai räjähtävien materiaalien lähellä.

4.5 Sovelluksen Yhteys

HUOMAUTUS

Seuraavat sovellusta koskevat kuvat on tarkoitettu vain esittelytarkoituksiin. Käytettävissä olevat vaihtoehdot voivat vaihdella ohjelmistoversion mukaan.

Kuinka käyttää Sunseeker-sovellusta

V. varmista, että kone on latausasemalla ja latautuu oikein.

B. Skanna QR-koodi ladataksesi Robottiruohonleikkurisorovelluksen tai etsi "robottiruohonleikkuri" Google Play Storesta (Android) tai Apple App Storesta (iOS) suorittaaksesi asennuksen loppuun.



iOS



Androidi



C. Luo uusi tili ja kirjaudu sisään. Kytke puhelimen Bluetooth ja Wi-Fi päälle. Skanna koneen SN QR-koodi lisätäksesi robottiruohonleikkurisi. Onnistuneen pariliitoksen jälkeen anna koneen oletussalasana 0000. Salasanat voi vaihtaa puhelimesta.

D. määritä laitteen Wi-Fi-yhteys sovelluksessa. Kone on kytkettävä samaan Wi-Fi-verkkoon kuin matkapuhelimesi. Anna kotisi WiFi-nimi ja salasana.

E. Yhdistä Wi-Fi-verkkoon. Kun yhteys on onnistunut. Kun yhteys on onnistunut, robotin ja sovelluksen Wi-Fi-kuvake syttyy.

F. nimeä robottisi.

HUOMAUTUS

Tarvittaessa sovellus pyytää pääsyä Bluetooth - ja Wi-Fi-verkkoon, jotta varmistetaan asianmukainen asennus ja ominaisuuksien toiminnot, myöntää pääsyn näihin ominaisuuksiin.

Käytä robottiruohonleikkuri-sovellusta

A. sido ja aktivoi leikkuri.

B. luo kartta (työalue).

C. seuraa ruohonleikkurin tilaa ja työn edistymistä ja ohjaa etänä sen toimintoja, kuten käynnistystä, pysähtymistä tai paluuta latausasemalle.

D. Tarkastele ja muuta ruohonleikkurin työasetuksia (Leikkuaikataulu, Leikkuukorkeus, kartan hallinta).

E. Tarkastele ja muuta ruohonleikkurin turvallisuus - / toimintoasetuksia (tappi, terän pysäytys jne.).

F. Tarkastele tai päivitä laitetta, s firmware-versio, Näytä verkkolinkin tila.

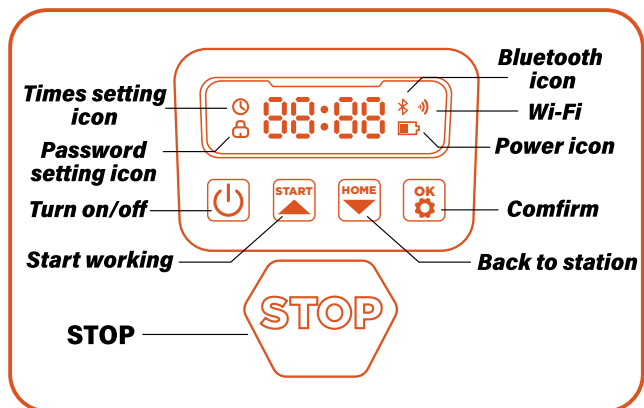
G. pura, muuta tai lisää laitteita.

H. Hanki apua ja myynnin jälkeistä tukea.

5. Päivittäinen Toiminta

5.1 leikkurin näyttö ja ohjaus

Näyttää



Virtakuvake: Akun virta-kuvake näyttää koneen jäljellä olevan virran. Tämä kuvake, jossa näkyy 1 palkki, osoittaa, että teho on 30% tai alle, 2 palkin näyttäminen osoittaa, että jäljellä oleva teho on 31-66%, ja 3 palkin näyttäminen osoittaa, että teho on 67% tai suurempi.

Wi-Fi-kuvake: Wi-Fi-kuvake osoittaa, muodostaako kone onnistuneesti yhteyden Wi-Fi-verkkoon vai ei.

Bluetooth-kuvake: Bluetooth-kuvake osoittaa, onko kone yhdistetty Bluetoothiin onnistuneesti vai ei.

Aika-asetuskuvake: Aika-asetuskuvake osoittaa, että kone on siirtynyt aika-asetustilaan.

Salasanan asetuskuvake: Lukkokuvake syttyä osoittamaan, että sinun on annettava salasana tai vaihdettava koneen salasana.

Kojelaudan näyttö: Kojelaudan näytössä näkyvät koneen eri tilat ja tilat:

tyhjäkäynnillä Kone on valmiustilassa, eikä sillä ole tällä hetkellä suoritettavia tehtäviä.

. Käyntivalo: Kone on toimintatilassa. Tällä hetkellä levy pyörii suurella nopeudella. Pysy kaukana siitä.

. ----: Kun sadeviive kytketään päälle, kone tunnistaa, että tällä hetkellä sataa, lopettaa nykyisen työn ja palaa latausasemalle.

. lopettaa: Häätäpysäytysnappia painettiin koneessa.

Perusohjaus

Kytke päälle: Pidä virtapainiketta painettuna 2 sekunnin ajan.

Sammuta: Pidä virtapainiketta painettuna 3 sekunnin ajan.

Ruohonleikkuria ei voi kytkeä pois päältä, kun se on latausasemalla. Kun leikkuri sammutetaan, kojelaudassa näkyy sana "Hei" ja sitten Näyttö sammuu.

Aloita työskentely/kytke päälle: Paina START-painiketta ja sitten OK.

Takaisin asemalle/kytke pois päältä: Paina HOME-painiketta ja sitten OK.

Pysäytä leikkurin toiminta: Paina Pysäytä

Käynnistä leikkuri uudelleen: Pidä virtapainiketta painettuna 10 sekunnin ajan sammuttaaksesi koneen, kytke se sitten uudelleen päälle tai työnnä kone suoraan latausasemaan ja liitä se aseman latauselektrodeihin.

5.2 Vaihda PIN-koodi

Jos leikkuri on lukossa, syötä PIN-koodi ennen ruohonleikkurin manuaalista käyttöä. Oletustunnuksen voi vaihtaa Robottiruohonleikkurisovelluksen kautta.

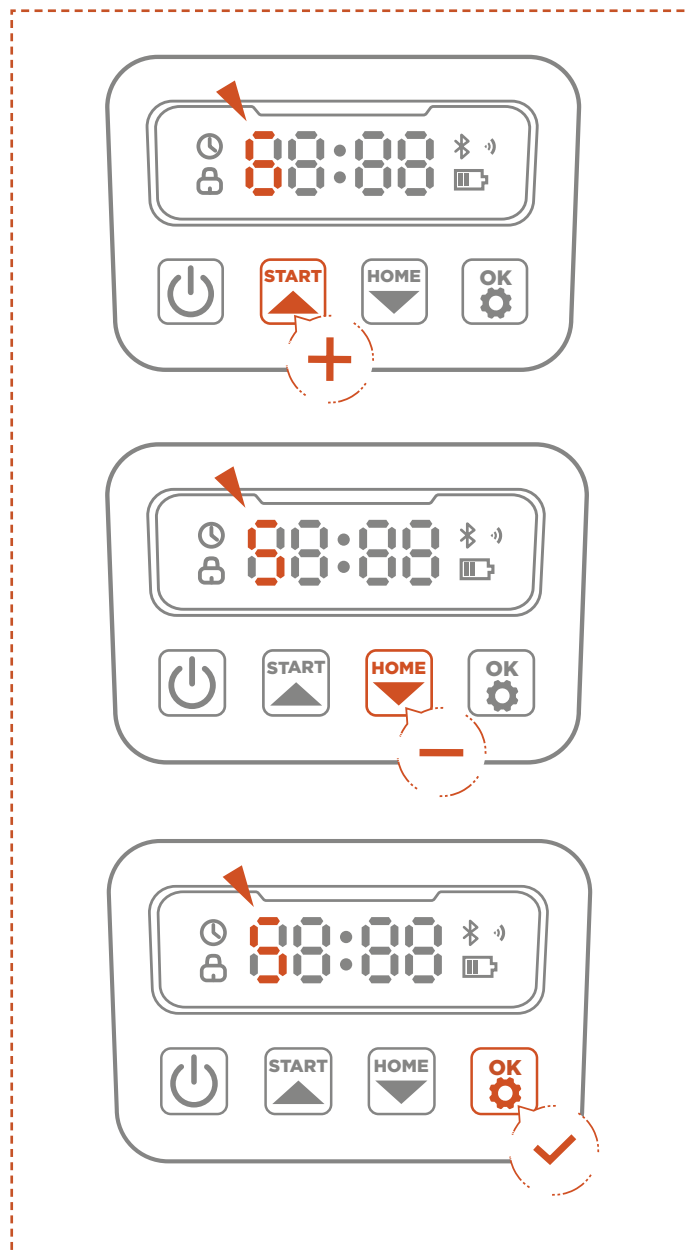
A. paina pitkään START- ja HOME-painikkeita 3 sekunnin ajan.

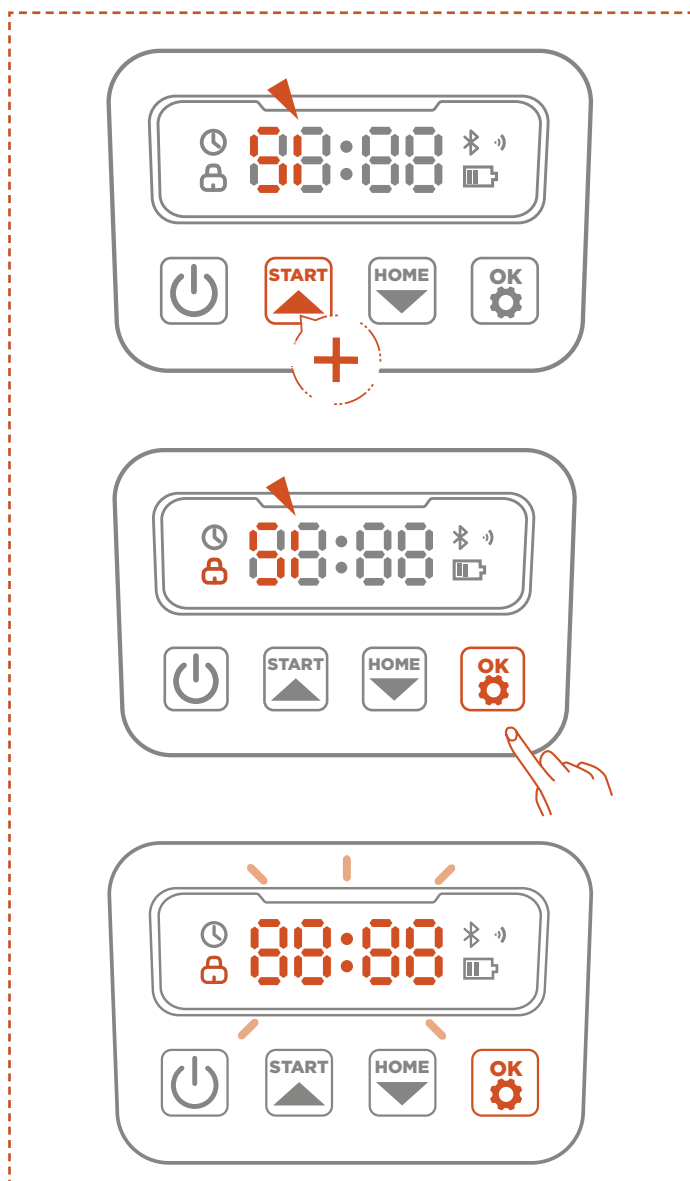
B. kun PIN1 näkyy ja kun "0---" tulee näkyviin, syötä vanha salasana.

C. kun PIN2 näkyy ja kun "0---" tulee näkyviin, syötä uusi salasana. Vahvista painamalla OK.

Huomautus

Jos pin-koodi syötetään väärin, näytössä näkyy "ERR".





5.3 IoT

Platform X on esineiden internet (IoT) - laite. Yhdistä ruohonleikkuri Internetiin matkapuhelinverkon tai Wi-Fi-verkon kautta, jolloin seuraavat toiminnot ovat käytettävissä:

A. Firmware päivitykset over-the-Air (OTA), pidä leikkuri päivitetty uusimpia ominaisuuksia.

B. Ota kauko-ohjaus käyttöön verkon kautta:

leikkuun aloittaminen, leikkuun lopettaminen, latausasemalle palaaminen, leikkuuohjelman asettaminen, leikkuukorkeuden asettaminen ja muut toiminnot.

C. Seuraa etänä niiton etenemistä ja ruohonleikkurin sijaintia.

D. Ilmoita Virhekoodit ja leikkurin tila verkon kautta.

Wi-Fi

Alusta X käyttää Wi-Fi-yhteyttä verkkoon. Katso lisätietoja Wi-Fi-asetuksesta.

HUOMAUTUS

- Platform X tukee vain 2,4 GHz Wi-Fi-verkkoa.
- Jos käytät iOS-laitetta, ruohonleikkuri voi muodostaa yhteyden vain WiFi-verkkoon, johon mobiililaitteesi on yhdistetty. Noudata sovelluksen ohjeita. Yhdistä mobiililaitteesi ensin Wi-Fi-verkkoon ja liitä sitten leikkuri samaan Wi-Fi-verkkoon. Android-laitteille ei ole tällaisia vaatimuksia.

Firmware-päivitykset

Jatkamme ruohonleikkurin laiteohjelmiston päivittämistä. Jos laiteohjelmistosta on uusi versio, saat ponnahdusilmoituksen sovelluksessa. On suositeltavaa päivittää heti, kun uusin laiteohjelmisto on saatavilla.

Kun päivität laiteohjelmistoa, alla olevien ehtojen on täyttyttävä:

- Kone on latausasemalla.
- Verkko on kytketty.
- Akun teho on yli 30%.
- Muutosuunnitelmaa ei ole tunnin päästä.

Päivitysprosessin aikana ruohonleikkurin ympäristön valo vilkkuu sinisenä. Näet päivityksen edistymisen sovelluksessasi. Päivityksen valmistuttua ruohonleikkurin ympäristön valo muuttuu vihreäksi.

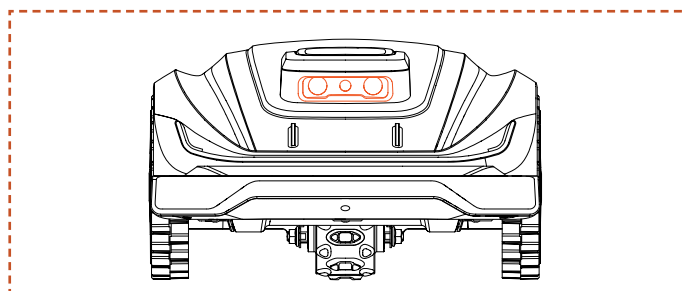
VAROITUS

- Älä siirrä leikkuria päivitysprosessin aikana.

5.4 Esteiden Välttäminen

Kiikarikamera

Binokulaarinen kamera on osa Platform X:n vakiovarusteita. Se on suunniteltu visuaaliseen rajojen havaitsemiseen, ennalta esteiden välttämiseen ja QR-koodien visuaaliseen tunnistamiseen latausprosessin aikana, mikä tekee leikkurista älykkäämmän.



HUOMAUTUS

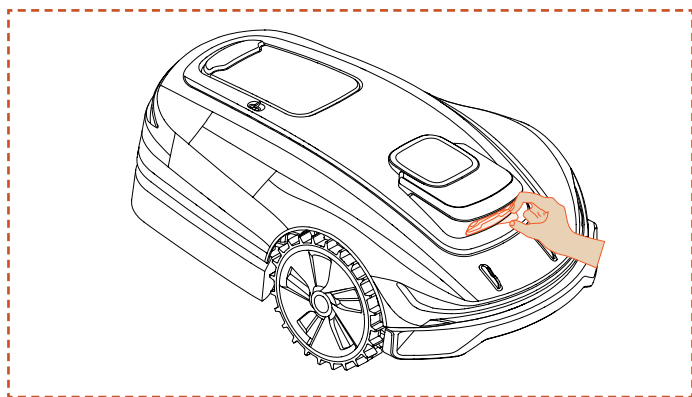
- Työskentely pimeässä ympäristössä voi vaikuttaa koneen kykyyn tunnistaa esteet tarkasti ja nopeasti niiden välttämiseksi. On suositeltavaa, että et käytä konetta yöllä.
- Jos nurmikossasi on liian paljon esteitä, harkitse kiellettyjen vyöhykkeiden asettamista niiden ympärille tai joidenkin esteiden poistamista koneen tehokkuuden parantamiseksi.

Tekoälyn tunnistaminen

Sunseeker AIR (Artificial Intelligence Recognition) määrittelee turvallisuuden uudelleen omilla kamerapohjaisilla vslam- ja Sunseeker AIR-laitteilla, jotka tarjoavat laajemman näkökentän (FOV) esteiden havaitsemiseen, niiden läsnäolon ennakoitiin ja leikkurin reitin asiantuntevaan muuttamiseen niiden välttämiseksi. Esteiden välttämismominaisuudet on suunniteltu parantamaan ruohonleikkurin suorituskykyä ja parantamaan turvallisuutta.

Puskurin anturi

Alustan X sisälle on asennettu anturit havaitsemaan esteitä. Kun puskuri törmää esteeseen ja laukaisee anturin, leikkuri siirtyy taaksepäin ja välttää esteen.



HUOMAUTUS

- Alustasi X pystyy välttämään esineitä törmättyään niihin. On kuitenkin suositeltavaa poistaa ylimääräinen sotku ennen niittoa.

6. Huolto

- A.** Koe ylivertaiset leikkaustulokset ja pidennä leikkurin käyttöikä huollon avulla.
- B.** Aikuisen säännöllinen tarkastus ja ylläpito joka viikko ovat välttämättömiä koneen optimaalisen suorituskyvyn varmistamiseksi.
- C.** turvaa hyvinvointisi noudattamalla turvallisuusohjeita: älä suorita huoltoa, kun käytät avosandaaleja tai olet paljain jaloin.
- D.** aseta turvallisuus aina etusijalle pukemalla pitkät housut ja työkengät ruohonleikkurin huollon aikana.
- E.** vaihda vaurioituneet tai kuluneet osat nopeasti saumattoman toiminnan takaamiseksi.

AINOASTAAN valtuutetut huoltoteknikot saavat avata ja sulkea uudelleen puskurin takana sijaitsevan alustan lokeron. Rajoitettu takuu voidaan mitätöidä, jos suoritat omat huoltosi.

ILMOITUS: VAKUUTUS

Et ehkä kata onnettomuuksia, joihin tämä tuote teidän vakuutukset. Ota yhteyttä vakuutuksenantajaasi tai edustajaasi selvittääksesi, tarjotaanko vakuutusturvaa.

6.1 Puhdistus

- A.** sammuta ruohonleikkuri.
- B.** puhdista ulkopinta huolellisesti hellävaraisella harjalla tai liinalla välttäen syövyttäviä liuottimia, kuten alkoholia, bensiiniä tai asetonia. Nämä aineet voivat vahingoittaa sekä leikkurin estetiikkaa että sisäisiä komponentteja.

HUOMAUTUS

- Saumattoman telakoinnin kannalta on tärkeää tutkia ja puhdistaa latausasema säännöllisesti roskista tai mudan kertymisestä..

- Varmista, että kaikki latausaseman liitososat, jatkojohto ja virtalähde pysyvät esteettöminä optimaalisen suorituskyvyn saavuttamiseksi.

Alusta ja terälevy

- A.** Alustan ja terälevyn puhdistamiseksi on suositeltavaa käyttää harjaa tai vesilettoa.
- B.** älä käytä painepesuria, koska se voi aiheuttaa vahinkoa.
- C.** Varmista, että terälevy pyörii tasaisesti ja terät pystyvät kääntymään ilman rajoituksia.



Varoitus

- Korkeapainevesi voi vuotaa tiivisteisiin ja vahingoittaa elektronia ja mekaanisia osia.

Pyörät

Pyörien päällä oleva ruoho voi heikentää ruohonleikkurin suorituskykyä rinteisiin noustessa. Poista harjalla muta tai muut välissä olevat esineet hyvän otteen varmistamiseksi.

Sadetunnistin

A. Tarkista Sadetunnistin kerran kuukaudessa ja varmista, että se ei ole mudan, ruohon tai muiden esineiden peitossa.

B. pese muta, ruoho tai muut esineet pois tai puhdista se pehmeällä harjalla.

C. kuivaa anturialue puhdistuksen jälkeen, jotta se ei laukea sateen vaikutuksesta.

Kamera

Puhdista kamera säännöllisesti, jotta se pysyy puhtaana.

! VAROITUS

- Varmista, että leikkuri on kytketty pois päältä ennen puhdistusta.
- Kun leikkuri on ylösalaisin, sammuta se.

6.2 Vaihda Terät

Niittotehon ja turvallisuuden parantamiseksi on suositeltavaa vaihtaa ruuvit ja terät 1-2 kuukauden välein, jos ruohonleikkuria käytetään usein. Turvallisen leikkausjärjestelmän varmistamiseksi vaihda kaikki terät ja niiden ruuvit samalla kertaa. Katso kohta "erittely - tarvikkeet" osia voidaan käyttää.

! VAROITUS

- Terää tarkastettaessa tai huollettaessa on käytettävä paksuja käsineitä.
- Älä käytä ruuveja uudelleen. Tämä voi aiheuttaa vakavia vammoja.
- Suosittelemme käyttämään oikeita ruuveja ja alkuperäisiä teriä, jotka olemme myyneet. (Nro 80201457).

Kuinka vaihtaa terät

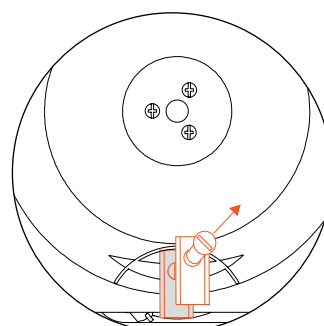
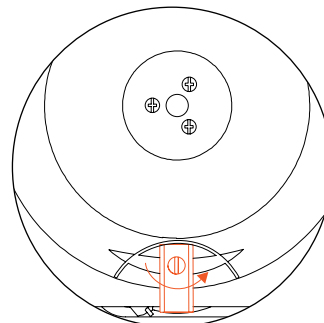
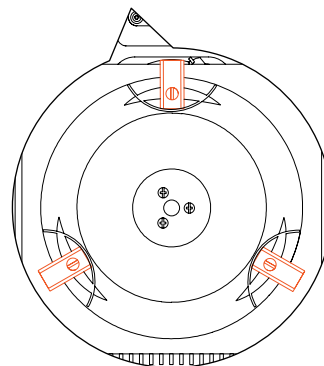
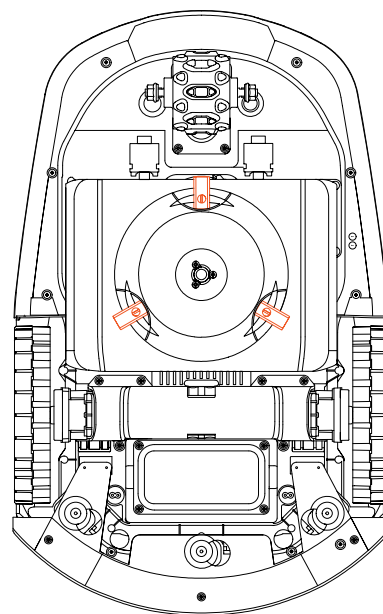
A. sammuta ruohonleikkuri.

B. Aseta leikkuri ylösalaisin tahrattomalle, pehmeälle alustalle naarmujen estämiseksi.

C. löysää ruuvit ristikärkisellä ruuvimeisselillä.

D. Irrota ruuvit ja terät.

E. kiinnitä uudet terät ja ruuvit (vääntömomentti: 1.0+0.2 N.m). Varmista, että terät voivat kääntyä vapaasti.



HUOMAUTUS

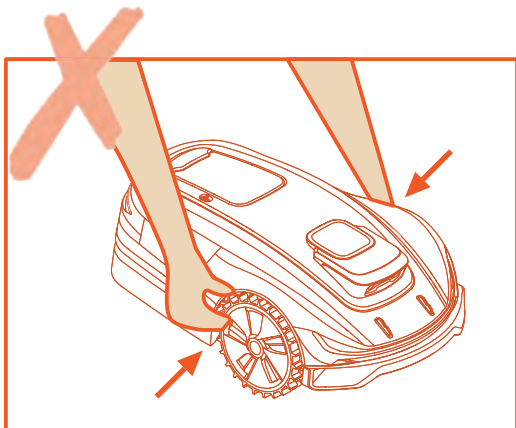
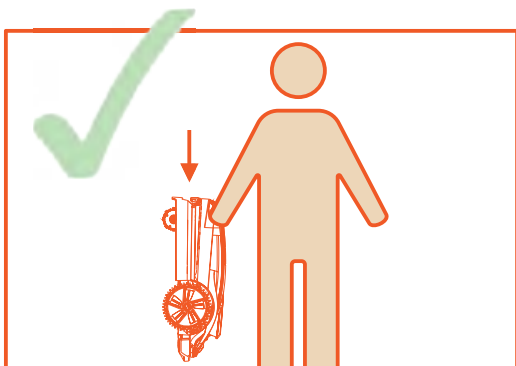
- Vaihda ruuvit vakiomomentilla 1,0+0,2 Nm. Väärä vääntömomentti voi johtaa vältettävissä oleviin ongelmiin.
- Varmista, että leikkuri on sammutettu, ja tarkista, että terät levitetään oikein. Tarkista epänormaali melu tai värinä.

6.3 Liikenne

Varmista, että ruohonleikkurin turvallisuus pitkän matkan kuljetuksen aikana käyttämällä alkuperäistä pakkausta. Ennen kuin nostat, siirät tai kuljetat tuotetta, varmista, että se sammutetaan. Käsittele huolellisesti ja vältä väkivaltaista voimaa, kuten heittoa ja kovaa painetta. Älä koskaan nosta tai kanna leikkuria moottorin käydessä.

Miten liikkua tai nostaa oikein

Kanna ruohonleikkuria kahvasta. Pidä teräkierro poispäin vartalostasi.

**6.4 akku**

- A.** Lataa akku täyteen ennen varastointia, jotta se ei pura liikaa ja vahingoita sähköosia.
- B.** rajoitettu takuu ei suojaa akun ylipurkautumiselta.
- C.** älä lataa akkua ilman lämpötilassa alle 5 °C (41 °F) tai yli 40 °C (104 °F).
- D.** Jos akku ladataan, kun ilman lämpötila on 18-25 °C, se voi pidentää sen käyttöikä ja parantaa sen suorituskykyä.

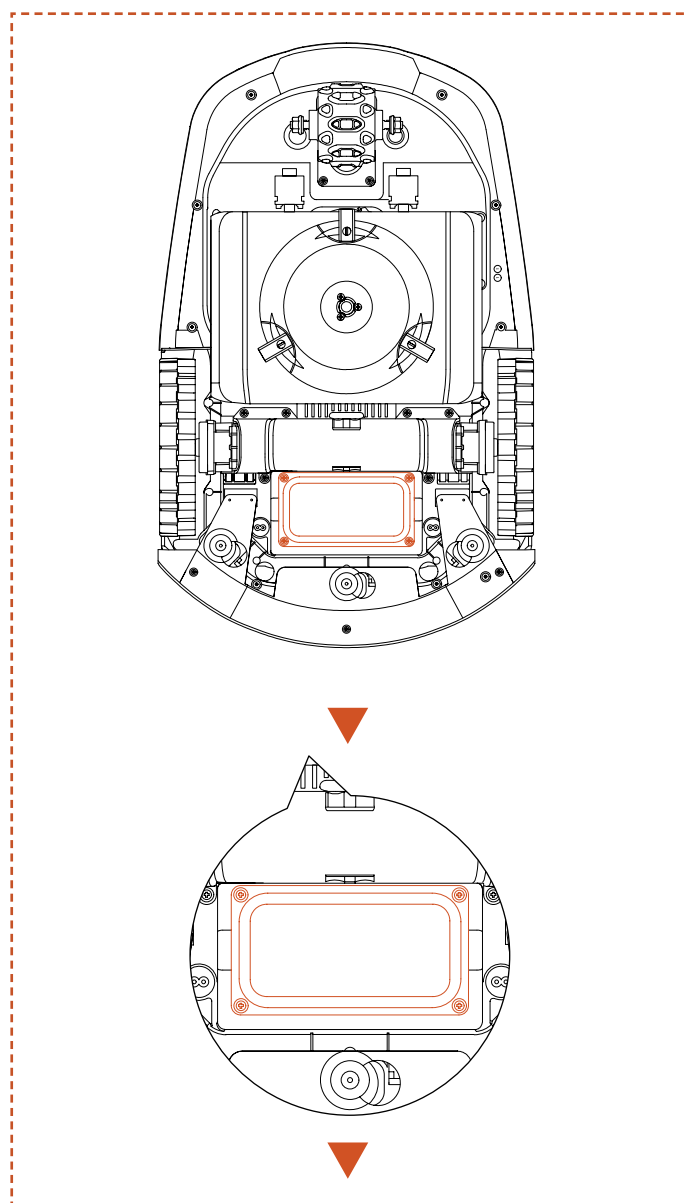
E. akku toimii parhaiten, kun sitä käytetään normaalissa huoneenlämmössä (20 °C ± 5 °C).

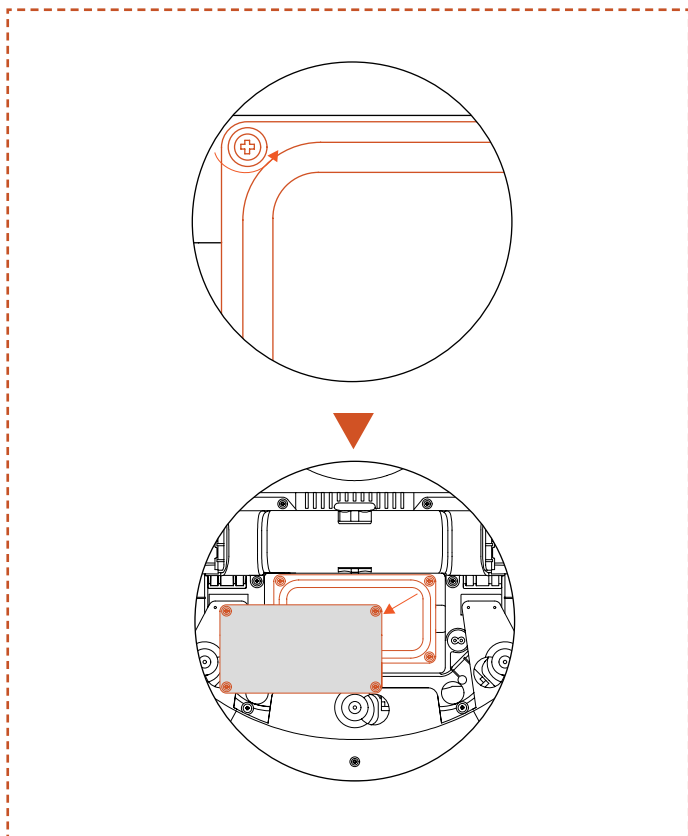
HUOMAUTUS

- Akun kesto riippuu siitä, kuinka usein tuotetta käytetään ja kokonaistyöajasta. Kun käyttöaika on huomattavasti tavallista lyhyempi täydellä latauksella tai nurmikko ei ole hyvin leikattu, on suositeltavaa vaihtaa akku.

Miten akku vaihdetaan

- A.** sammuta ruohonleikkuri.
- B.** Aseta ruohonleikkuri ylösalaisin tahrattomalle, pehmeälle alustalle.
- C.** löysää 4 ruuvia, jotka pitävät paristolaatikon paikallaan ristikärsiksellä ruuvimeisselillä.
- D.** irrota pistoke.
- E.** ota akku pois ja vaihda se uuteen.





! VAROITUS

Käytä vain alkuperäistä akkua tai SUNSEEKERIN määrittelemää samaa mallia. Jokainen ruohonleikkuri sisältää yhden akun.

- Leikkurimallista riippuen akun nimelliskapasiteetti on 5000 mAh tai 10000 mAh.

- Älä käytä ei-ladattavia paristoja. Käytä akun lataamiseen vain tämän tuotteen mukana toimitettua irrotettavaa latausyksikköä.

- Vältä akun kotelon rikkomista tai purkamista. Vältä kosketusta metalliesineiden kanssa oikosulkujen välttämiseksi. Pidä poissa lämmönlähteistä, tulesta ja suorasta auringonvalosta.

- Ota yhteyttä myyntipisteeseen, paikalliseen tai alueelliseen jätehuoltotoimistoon tai kotitalouksien jätehuoltopalveluun saadaksesi lisätietoja akku- ja sähköjätteestä.

- Paristokotelo ei ole tarkoitettu avattavaksi usein. Jos tarvitaan uusi akku, avaa paristolokero vasta sitten.

- Akku sisältää elektrolyyttejä. Jos elektrolyyttivuoto pääsee kosketuksiin ihosi kanssa, pese se välittömästi saippualla ja vedellä. Ota yhteyttä lääkäriin, jos joudut silmiin ja huuhtelee silmiä välittömästi runsaalla vedellä vähintään 15 minuutin ajan hankaamatta.

6.5 Virtalähde

Irrota virtalähde:

A. ennen tukoksen raivaamista.

B. Ennen koneen tarkistamista, puhdistamista tai työskentelyä.

C. Kun olet osunut vieraaseen esineeseen, tarkista kone vaurioiden varalta.

D. tutki säännöllisesti johto, pistoke, kotelo ja muut osat. Jos havaitset vaurioita tai ikääntymisen merkkejä, lopeta käyttö välittömästi.

! VAROITUS

- Älä koskaan käytä vaurioitunutta virtalähdettä toimintaan. Vaaran välttämiseksi vaurioitunut syöttöjohto on vaihdettava valmistajan, sen huoltoedustajan tai muun asianmukaisen pätevyyden omaavan henkilön toimesta. Jos jatkojohto on viallinen, vaihda se SUNSEEKERin hyväksymään 10 metrin johtoon.

- Älä koskaan koske jatkojohtoon tai vaurioituneeseen johtoon ennen kuin se on irrotettu virtalähteestä tai kytke se virtalähteeseen. Vaurioitunut johto voi aiheuttaa kosketuksen sähkökomponentteihin.

- Virtalähdettä ei tule käyttää minkään muun laitteen tai akun kanssa, koska se lisää sähköiskun, tulipalon tai henkilövahinkojen riskiä. Jos käytät jotain muuta kuin alkuperäisiä paristoja, tuoteturvallisuutta ei voida taata.

- Älä lataa, kun akku vuotaa.

- Pidä jatkojohto poissa vaarallisten osien siirtämisestä, jotta johdot eivät vaurioidukaan, mikä voi johtaa kosketuksiin jännitteisten osien kanssa.

Suositus

Kytke ruohonleikkuri ja/tai sen oheislaitteet ainoastaan syöttöpiiriin, joka on suojattu vikavirtasuojakytkimellä (RCD), jonka laukaisuvirta on enintään 30 mA.

6.6 säilytys

A. varmista, että leikkuri on ladattu täyteen ja sammutettu ennen sen varastointia, jotta vältetään ylipurkaus, joka voi johtaa pysyviin vaurioihin.

B. Säilytä kuivassa, viileässä paikassa sisätiloissa. Altistuminen auringonvalolle ja äärimmäisille lämpötiloille (joko kuuma tai kylmä) nopeuttaa komponenttien ikääntymisprosessia ja voi aiheuttaa pysyviä vaurioita.

C. Pidä kemikaalit ja lämmönlähteet (uunit, patterit jne.) kaukana ruohonleikkurista, latausasemasta ja virtalähteestä.

D. säilytä virtalähde alueella, jossa on hyvä ilmanvaihto, ja suojaa se kosteudelta.

! VAROITUS

- Irrota virtalähde pistorasiasta, jos ukkosta ennustetaan. Irrota kaikki latausasemaan kiinnitetyt johdot ja kaapelit. Yhdistä uudelleen, kun ukkosmyrskyn mahdollisuutta ei enää ole.

Lisävaatimukset talvisäilytykselle

Ruohonleikkuri:

- A. Puhdista leikkuri huolellisesti ennen varastointia.
- B. Tarkista kuluvat osat, kuten terät.
- C. Korjaa tai vaihda ne, jos ne ovat huonossa kunnossa.
- D. Säilytä leikkuria kuivassa ja pakkasettomassa paikassa seisoen kaikilla pyörillä, mieluiten alkuperäisessä pakkaus.

Latauslaite:

- A. irrota latausasemasta ja irrota virtalähde
- B. pidä latausasema poissa suorasta auringonvalosta ja tuo se sisälle.

6.7 kierrätys ja loppukäsittely

Tämä tuote ei ole kotitalousjätettä. Ota yhteyttä kuntasi, myyntipisteesi tai kotitalousjätepalveluun saadaksesi tietoa kierrätyksestä.



VAROITUS

- Tätä tuotetta ei tule heittää kaatopaikalle, polttaa tai yhdistää tavalliseen talousjätteisiin. Sähkökomponentit voivat aiheuttaa vaaraa tai vakavia vaurioita.

7. UKK ja vianetsintä

7.1 Virheilmoitus

virhekoodi	Merkitys	Mahdollinen syy
E1	Robotti pois työalueelta	Miten ratkaista "robotti pois työalueelta"?
E2	Pyörän moottorin lohko	pyörän moottori on jumissa
E3	leikkurin moottorivirhe	Leikkurin moottori on jumissa
E4	Robotin puskuri jumissa	1. Liikaa esteitä 2. Varmista, että puskuri on pysynyt oikeassa paikassa.
E5	Robotti nostettu	Varmista, onko kone nostettu
E6	Robotin kallistus	Varmista, että kone on sijoitettu epätasaiselle maaperälle.
E7	Kulma-anturi aktivoituu usein	Varmista, että kone on sijoitettu epätasaiselle maaperälle.
E8	Latausaseman telakoitumisen epäonnistuminen latauksen aikana	Kuinka ratkaista virhe "latausaseman telakoitumisen epäonnistuminen latauksen aikana"?
E9	Robotti loukussa	1. Varmista, onko koneen ympärillä liikaa esteitä 2. Robotti tuli ahtaaseen tilaan eikä päässyt ulos 3. Ruohonleikkuri luistaa
E10	Päivitys epäonnistui	1. Tarkista, onko WiFi-signaali erittäin heikko 2. Tarkista, lataako kone latausasemalla
E12	Akun jännitteen virhe	1. Aseta kone latausasemalle nähdäksesi, voiko sen ladata täyteen 2. Yli latausvirta 3. Latausajan kuluessa 4. Akun jännite liian korkea tai liian alhainen
E13	Latausvirhe	Vika Laturi
E14	Nykyinen karttapinta-ala on liian suuri ja ylittää robotin tukeman enimmäistyöalueen	Rakenna uusi kartta tuotteen nimellisteho-valikoimaan
E15	Takapyörän Moottorin / ohjauksen moottorivika	Takapyörän Moottorin / ohjauksen moottorivika
E16	Nostomoottorin vika	Nostomoottori on jumissa
E17	Latausasemaa ei löydy	Kuinka ratkaista virhe "latausaseman telakoitumisen epäonnistuminen latauksen aikana"?
E18	Akku vähissä	Kone ei ehkä pysty palaamaan latausasemalle normaaliin lataukseen jonkin virheen vuoksi. Siirrä se manuaalisesti latausasemalle latausta varten
E19	Yhteys epäonnistui	1. Koneen hännässä on 4 QR-koodia, ja kun lisäät konetta, sinun on valittava ensimmäinen QR-koodi. 2. Varmista, onko puhelimen Bluetooth päällä ja onko se 1 metrin etäisyydellä koneesta. 3. Oletko antanut oikean käynnistyssalasanana, jonka oletusarvo on 0000 4. Onko wifi 2.4 GHz? 5. Onko WiFi-salasana oikea?

virhekoodi	Merkitys	Mahdollinen syy
E21	RTK-alustus epäonnistui	1. Tarkista, onko tukiasema asennettu oikein ja onko siinä esteitä. 2. Tarkista, onko kone tukossa 3. Tarkista, onko tukiaseman ja koneen välillä valtavia esteitä, jotka estävät signaalin
E22	Etukameran virhe	Varmista, onko kamera estetty
E23	Tyhjä Karttavirhe	Luo kartta ennen aloittamista
E24	RTK-pohjasignaali menetetty	1. Tarkista, onko tukiasema päällä. 2. Tarkista, onko tukiasema asennettu oikein RTK-aseman asentaminen 3. Tarkista, onko tukiaseman ja koneen välillä esteitä 4. Yritä muodostaa yhteys tukiasemaan
E25	Kartoitus epäonnistui	1. Varmista, onko kartta suljettu 2. Varmista, onko koneessa hyvä wifi-yhteys
E26	RTK-kalibrointi epäonnistui	Kuinka ratkaista virhe "RTK-kalibrointi epäonnistuu"?
EE	Jälleenmyyjän tukea tarvitaan	1. Akkulevyn huono kosketus 2. Näyttötaulun vika 3. Rajalaudan vika 4. Monitoimikortin poikkeavuus 5. Laitteistovika 6. Muut virheet
BP	Akun lämpötilan virhe	1. Varmista, onko Ympäristön lämpötila liian korkea 2. Varmista, onko Ympäristön lämpötila liian alhainen
LUKITA	Lukittu. Yritä uudelleen 10 minuutin kuluttua.	1. Anna oikea salasana 2. Jos unohdat salasanasi, voit palauttaa sen arvoon 0000 nollaamalla tehdasetukset sovelluksen kautta 3. Jos mobiilisovellusta ei ole kytketty koneeseen, ota yhteyttä huoltopalveluun
LOPETTAA	Manuaalinen pysäytys	Pysäytyspainiketta painetaan

Ohjeet, miten toimia epänormaalin tärinän sattuessa:

- A. sammuta kone.
- B. Käännä konetta 180 astetta.
- C. Tarkista terien kunto vaurioiden tai toimintahäiriöiden varalta.
- D. on suositeltavaa vaihtaa kaikki kolme terää.
- E. Käännä kone takaisin ympäri aloittaaksesi työskentelyn.

7.2 ongelma ammunta

Jos kohtaat tuotteeseen tai sovellukseen liittyviä ongelmia, yleisiä ongelmia ja kysymyksiä, tutustu Sunseekerin virallisella verkkosivustolla oleviin UKK-artikkeleihin (<https://support.sunseeker-elite.com>) tai sovelluksen " ohje ja palaute " - osiosta.

8. Tärkeää Tietoa

8.1 Tietosuoja

Henkilötietojen käsittely alustalla X

* Kuka ja miksi?

Kun rekisteröidyt Sunseekerin alustalle X ja käytät sitä, Sunseeker (tai "me") rekisterinpitäjänä käsittelee henkilötietojasi. Käsittelemme henkilötietojasi, jotta:

1. Tarjota sinulle Platform X-yhteys tai tehdä sinulle tarjous tällaisesta palvelusta. Oikeusperuste on, että käsittely on tarpeen kanssamme solmimasi sopimuksen täyttämiseksi tai toimenpiteiden toteuttamiseksi ennen sopimuksen tekemistä kanssamme.
2. kehittää ja parantaa tuotteitamme ja palveluitamme. Oikeusperusteena on oikeutettu etumme kehittää ja parantaa tuotteitamme ja palveluitamme.
3. Ota käyttöön Alustan X (Esineiden Internet) liitettävyyttä: käytä kumppanien integraatioita (esimerkiksi älykkäitä avustajia, mukaan lukien äänikäyttöiset laitteet); käytä yhteysalustoja yhdistääksesi Alustan X kolmannen osapuolen laitteisiin, sovelluksiin ja palveluihin; ja rakenna oma älykkään kodin integraatio. Oikeusperuste on, että käsittely on tarpeen kanssamme solmimasi sopimuksen täyttämiseksi.
4. Tarjota sinulle merkityksellisiä tietoja, jotka liittyvät Platform X-kokemukseesi. Oikeusperuste on oikeutettu etumme pitää sinut ajan tasalla tietyistä tuotteistasi ja palveluistasi sekä niiden ominaisuuksista.
5. Tarjota sinulle tukea ja vianmääritystä alustasta X. oikeusperusta on, että käsittely on tarpeen kanssamme solmimasi sopimuksen täyttämiseksi.hmeille..

Jos olet antanut meille suostumuksesi (jolloin oikeusperusta on suostumuksesi), voimme käsitellä henkilötietojasi myös seuraaviin tarkoituksiin:

1. Lähettää sinulle räätälöityjä mainoksia ja uutiskirjeitä tuotteistamme ja palveluistamme.
2. Lähettää Sinulle asiakaskyselyjä ja analysoida antamiasi tietoja tarkemmin tällaisessa yhteisössäKationia.

Tietojasi käsitellään niin kauan kuin Sunseeker tarvitsee niitä edellä mainittujen tarkoitusten täyttämiseksi, mutta ei missään tapauksessa pidempään kuin sovellettavat lait sallivat.

* Mitä henkilötietoja käsittelemme?

Voimme käsitellä seuraavia henkilötietoja:

1. Henkilötiedot: etu- ja sukunimi, kansalaisuus, kieliasetukset;
2. Yhteystiedot: sähköpostiosoite, postiosoite;
3. Tilitiedot: tilin Ikä, salasana, tilinumero;
4. Muut alustaasi X liittyvät tiedot: ruohonleikkurin nimi, parien nimet, kumppanien integraatioiden avulla käynnistetyt toiminnot ja laitetiedot.

* Sijaintitietojen käyttö

Osa palveluistamme toimii vain, jos voimme määrittää leikkurin sijainnin (esim. Kun jaat leikkurin sijaintisi kanssamme, tiedot tallennetaan osana profiiliasi ja ne voidaan lähettää kolmansille osapuolille pseudonymisoidussa muodossa asiaankuuluvan palvelun tarjoamiseksi (esim.

8.2 Rajoitettu Takuu

Rajoitettu takuu

Tarjoamme 2 vuoden takuun. Ennen kuin aloitat takuuvaatimuksen, pyydämme sinua tarkistamaan ensin käyttöohjeen usein kysytyt kysymykset ja Vianmääritysosion. Myös omistautunut asiakastukemme on täällä auttamassa. Takuuvaatimusten esittämistä varten on toimitettava ostotodistus, mukaan lukien voimassa oleva kuitti, josta käy ilmi ostopäivämäärä ja -paikka.

Takuu ei kata:

Osat, jotka ovat alttiita normaalille kulumiselle, kuten maapaalut, leikkuulevyt ja akku.

8.3 vastuuvapauslausekkeet

Tarjoamme asiakkaille myynnin jälkeisiä palveluja, lukuun ottamatta seuraavia olosuhteita:

1. Kaatumisvahingot, jotka johtuvat muista kuin valmistustekijöistä, mukaan lukien, mutta ei rajoittuen, käyttäjän virheet.
2. Luvattomasta muokkauksesta, purkamisesta tai kuoren avaamisesta aiheutuneet vahingot, jotka eivät ole virallisten ohjeiden tai käsikirjojen mukaisia.
3. Vahingot, jotka johtuvat virheellisestä asennuksesta, väärästä käytöstä tai muusta kuin virallisten ohjeiden tai käsikirjojen mukaisesta käytöstä.
4. Valtuuttamattoman palveluntarjoajan aiheuttamat vahingot.
5. Vahingot, jotka johtuvat piirien luvattomasta muuttamisesta ja/tai akun ja laturin yhteensopimattomuudesta tai väärinkäytöstä.
6. Käyttäjien aiheuttamat vahingot, jotka eivät noudata ohjeita ja manuaalisia suosituksia.
7. Käytön aiheuttamat vauriot huonoissa nurmikko-olosuhteissa (eli suuret lätäkköalueet, kun rajoitettuja alueita ei ole asetettu oikein, paikat, joissa on runsaasti nurmikon pintaa peittäviä kiviä jne.)
8. Vahingot, jotka aiheutuvat tuotteen käytöstä ympäristöissä, joissa on sähkömagneettisia häiriöitä, mukaan lukien kaivosalueet tai radiolähetystornien, suurjännitejohtojen, sähköasemien jne.
9. Vahingot, jotka johtuvat tuotteen käyttämisestä ympäristöissä, joissa on häiriöitä muista langattomista laitteista, kuten lähettimistä, video-downlinkeistä, Wi-Fi-signaaleista jne.

10. Luotettavuus-tai yhteensopivuusongelmien aiheuttamat vahingot, kun käytetään luvattomia kolmannen osapuolen osia.

11. Vauriot, jotka aiheutuvat yksikön käytöstä alhaisella latauksella tai viallisella akulla.

12. Arvaamattomien tekijöiden, kuten autojen törmäysten, villieläinten hyökkäysten, tulvien jne.

Sisältöä voidaan muuttaa ilman ennakoilmoitusta.

FCC: n lausunto

Tämä laite on FCC-sääntöjen osan 15 mukainen toiminta edellyttää seuraavia kahta ehtoa: (1)Tämä laite ei saa aiheuttaa haitallisia häiriöitä, ja (2) Tämän laitteen on hyväksyttävä kaikki vastaanotetut häiriöt, mukaan lukien häiriöt, jotka voivat aiheuttaa ei-toivottua toimintaa. Muutokset tai muutokset, joita vaatimustenmukaisuudesta vastaava osapuoli ei ole nimenomaisesti hyväksynyt, voivat mitätöidä käyttäjän valtuudet käyttää laitteita.

HUOMAUTUS

Tämä laite on testattu ja sen on todettu täyttävän luokan B digitaalilaitteelle asetetut rajat FCC-sääntöjen osan 15 mukaisesti. Nämä rajat on suunniteltu tarjoamaan kohtuullinen suoja haitallisilta häiriöiltä asuinrakennuksessa. Tämä laite tuottaa käyttötarkoituksia ja voi säteillä radiotaajuista energiaa, ja jos sitä ei asenneta ja käytetä ohjeiden mukaisesti, se voi aiheuttaa haitallisia häiriöitä radioviestintään. Ei kuitenkaan ole mitään takeita siitä, etteikö häiriöitä esiintyisi tietyssä asennuksessa. Jos tämä laite aiheuttaa radio-tai televisiovastaanotolle haitallisia häiriöitä, jotka voidaan määrittää kytkemällä laite pois päältä ja päälle, käyttäjää kannustetaan yrittämään korjata häiriöt yhdellä tai useammalla seuraavista toimenpiteistä:

- Kohdista tai siirrä vastaanottoantenni uudelleen.
- * Lisää laitteen ja vastaanottimen välistä eroa.
- * Kytke laite pistorasiaan eri piirillä kuin mihin vastaanotin on kytketty.
- * Pyydä apua jälleenmyyjältä tai kokeneelta radio - /TV-tekniikolta.
- * FCC: n RF-altistusvaatimusten täyttämiseksi tämän laitteen antennin ja henkilöiden välillä on pidettävä vähintään 20 cm: n erotusetäisyys laitteen käytön aikana. Vaatimustenmukaisuuden varmistamiseksi ei suositella toimintaa tätä lähempänä.

VAROITUS nappiparistosta tai kolikon paristosta:

- a) Poista ja kierrätä tai hävitä käytetyt paristot välittömästi paikallisten määräysten mukaisesti ja pidä poissa lasten ulottuvilta.
- b) Älä hävitä paristoja talousjätteisiin tai polta.
- c) jopa käytetyt paristot voivat aiheuttaa vakavan vamman tai kuoleman.

d) soita paikalliseen Myrkytystietokeskukseen saadaksesi hoitotietoja.

E) Akun tyyppi: CR2032

f) Nimellisjännite: 3.0 Vdc.

g) ei-ladattavia akkuja ei saa ladata.

h) älä pakota purkamaan, lataamaan, purkamaan, lämmittämään (valmistajan määrittämä lämpötilaluokitus) tai polttamaan. Tämä voi johtaa loukkaantumiseen, joka johtuu tuuletuksesta, vuodosta tai räjähdyksestä, mikä johtaa kemiallisiin palovammoihin.

i) tuote sisältää ei-vaihdettavan nappipariston.



EY-vaatimustenmukaisuusvakuutus

Me.

Zhejiang Sunseeker Industrial Co., Ltd.

988 Jinde Rd. Jiangdong Industrial Park, Jinhua, Zhejiang 321000 P.R. KIINA

Ilmoittaa ja ottaa vastuun siitä, että tuote:

Tuotemerkki SUNSEEKER

Tuotteen nimi: Robottiruohonleikkuri

Malli: RMX1600L20V, RMX2000L20V, RMX2500L20V, RMX1602N20V, RMX2002N20V, RMX2502N20V

Edellä kuvatun ilmoituksen kohde on seuraavien EU-direktiivien mukainen:

1. Radiolaitedirektiivi (2014/53 / EU)
2. Konedirektiivi (2006/42/EY)
3. RoHS direktiivi (2011/65/EU) ja direktiivin ((EU)2015/863 muuttaminen
4. Meludirektiivi (2000/14/EY liite III, sellaisena kuin se on muutettuna direktiivillä 2005/88/EY).
 - Äänenpainetaso LpA: 52 dB (A), äänenpaineen epävarmuustekijät KpA: 3 dB (A)
 - Ilmoitettu Taattu Äänitehotaso: 60 dB (A), äänitehon epävarmuudet KWA: 3 dB (A)

Tämän tuotteen vaatimustenmukaisuus näiden direktiivien kanssa on arvioitu osoittamalla, että se on seuraavien yhdenmukaistettujen standardien ja/tai teknisten eritelmien mukainen:

EN 50636-2-107: 2015+A1:2018+A2: 2020+A3: 2021

EN 60335-1:2012+A11:2014+A13:2017+ A1:2019 + A2:2019+ A14:2019+A15:2021

EN IEC 55014-1:2021

EN IEC 55014-2:2021

EN IEC 61000-3-2:2019+A1:2021

EN 61000-3-3:2013+A1:2019+A2:2021

EN 301 489-1 V2.2.3

EN 301 489-3 V2.3.2

EN 301 489-17 V3.2.4

EN 301 489-19 V2.2.1

EN 301 489-52 V1.2.1

EN 301 511 V12.5.1

EN 301 908-1 V15.2.1

EN 301 908-13 V13.2.1

EN 303 413 V1.2.1

EN 300 220-2 V3.1.1

EN 300 328 V2.2.2

EN 62311:2008

EN IEC 62311:2020

EN 62321-1:2013

EN IEC 62321-2:2021

EN 62321-3-1:2014

EN 62321-8:2017

EN 62321-4:2014 /A1:2017

EN 62321-5:2014

EN 62321-7-1:2015

EN 62321-7-2:2017

EN 62321-6:2015

EN 62321-8:2017

EN ISO 11094:1991

EN ISO 3744:1995

EN ISO 3744:2010

RF-altistusta koskevat tiedot

Tämä laite on testattu ja täyttää sovellettavat radiotaajuusaltistuksen raja-arvot.

Tämä laite on asennettava ja sitä on käytettävä annettujen ohjeiden mukaisesti, ja tähän lähettimeen käytettävät antennit on asennettava siten, että etäisyys kaikista henkilöistä on vähintään 20 cm, eikä niitä saa sijoittaa tai toimia yhdessä minkään muun antennin tai lähtetimen kanssa.

Allekirjoitettu seuraavien puolesta ja nimissä: Zhejiang Sunseeker Industrial Co., Ltd.

Paikka: Jinhua, Zhejiang P.R. Kiina päivämäärä: 09-07-2024

Nimi: Harry Juoksi Tittelin: Pääinsinööri

Allekirjoitus: Harry

spis

Trešci

1. Bezpieczeństwo i przepisy'	220
1.1. Ogólne	220
1.2. Ogólne instrukcje bezpieczeństwa	220
1.3. Instrukcje bezpieczeństwa dotyczące instalacji	221
1.4. Instrukcje bezpieczeństwa podczas codziennej pracy	222
1.5. Instrukcje bezpieczeństwa dotyczące konserwacji.....	222
1.6. Bezpieczeństwo akumulatora.....	222
2. Symbole i oznaczenia	222
3. Zawartość i dane techniczne	223
3.1. Zawartość pudełka.....	223
3.2. Części i funkcje	224
4. Instalacja	226
4.1. Przygotowania	227
4.2. Instalacja stacji ładującej.....	227
4.3. Instalacja stacji bazowej RTK	227
4.4. Naładuj i aktywuj kosiarkę	228
4.5. Połączenie aplikacji	229
5. Operacja dzienna	230
5.1. Wyświetlacz i sterowanie kosiarki.....	230
5.2. Zmień kod PIN	230
5.3. IoT	231
5.4. Unikanie przeszkód	231
6. Konserwacja	232
6.1. Czyszczenie.....	232
6.2. Wymiana ostrzy	233
6.3. Transport.....	234
6.4. Akumulator	234
6.5. Źródło zasilania.....	235
6.6. Składowanie	235
6.7. Recykling i utylizacja po zużyciu.....	236
7. Często zadawane pytania i rozwiązywanie problemów	237
7.1. Komunikat błędu	237
7.2. Rozwiązywanie problemów	238
8. Ważna informacja	239
8.1. Prywatność danych.....	239
8.2. Ograniczona gwarancja.....	239
8.3. Zastrzeżenia	239

1. Bezpieczeństwo i przepisy'

1.1. Ogólne

WAŻNE
PRZECZYTAJ UWAGNIE PRZED UŻYCIEM
ZACHOWAJ NA PRZYSZŁOŚĆ

Prawidłowe użycie

Ten produkt ogrodowy jest przeznaczony wyłącznie do koszenia trawnika, automatycznego ścinania trawy ogrodu o każdej porze dnia. Każde użycie wykraczające poza zamierzone zakres może stwarzać zagrożenia, potencjalnie powodując obrażenia osób i/lub mienia. Konieczne jest ściśle przestrzeganie określonych wytycznych w celu zapewnienia bezpieczeństwa i zapobiegania wypadkom.

Nieprawidłowe użycie

Produkt ogrodowy nie jest przeznaczony do użytku przez dzieci lub osoby o ograniczonych zdolnościach fizycznych, sensorycznych ani umysłowych lub nieposiadających doświadczenia czy wiedzy, chyba że znajdują się pod nadzorem lub zostały poinstruowane na temat użytkowania produktu przez osobę odpowiedzialną za ich bezpieczeństwo.

Nieprawidłowe użycie obejmuje, ale nie ogranicza się do: przewożenia ludzi, dzieci lub zwierząt na urządzeniu; jeżdżeniu na urządzeniu; używania urządzenia do ciągnięcia lub pchania ładunków; oraz używania urządzenia do koszenia roślinności innej niż trawa.

Ryzyko rezydualne - noś rękawice i okulary ochronne podczas konserwacji oraz wymiany ostrzy na wypadek obrażeń.

Nie przedłużaj kabla między zasilaczem a stacją ładującą.



OSTRZEŻENIE

- Nie dotykaj niebezpiecznych ruchomych części, zanim przed ich całkowitym zatrzymaniem.
- Przechowuj kabel zasilający, zasilacz, przedłużacz i wszystkie inne kable elektryczne, które nie należą do produktu, poza obszarem cięcia, aby zachować ich odległość od niebezpiecznych ruchomych części i zapobiec uszkodzeniu kabli, które mogą mieć kontakt z częściami pod napięciem. Istnieje ryzyko obrażeń lub śmierci operatora oraz osób postronnych, jeżeli instrukcje zawarte w instrukcji nie będą przestrzegane.
- Automatyczna kosiarka! Nie zbliżaj się do urządzenia! Dzieci muszą znajdować się pod nadzorem!
- Zachowaj wszystkie ostrzeżenia i instrukcje do wykorzystania w przyszłości.
- Przeczytaj wszystkie ostrzeżenia dotyczące bezpieczeństwa, instrukcje, ilustracje i dane techniczne dołączone do tego produktu. Niezastosowanie się do wszystkich instrukcji wymienionych poniżej może spowodować porażenie prądem, pożar i/lub poważne obrażenia.

1.2 Ogólne instrukcje bezpieczeństwa

Bezpieczeństwo miejsca pracy

A. Nie używaj urządzenia w atmosferach wybuchowych, na przykład w obecności łatwopalnych cieczy, gazów lub pyłów. Urządzenia wytwarzają iskry, które mogą spowodować zapalenie pyłu lub oparów.

B. Przeczytaj uważnie instrukcje. Zapoznaj się z elementami sterującymi i właściwym użytkowaniem urządzenia.

C. Nigdy nie pozwalaj na korzystanie z urządzenia osobom niezaznajomionym z niniejszą instrukcją ani dzieciom. Lokalne przepisy mogą ograniczać wiek operatora.

D. Operator lub użytkownik jest odpowiedzialny za wypadki lub zagrożenia powstałe w stosunku do osób postronnych oraz ich mienia.

Bezpieczeństwo elektryczne

A. Wtyczki sieciowe muszą pasować do gniazdka. Nigdy w żaden sposób nie modyfikuj wtyczki. Nie używaj żadnych wtyczek ładowarki z uziemionymi urządzeniami. Niemodyfikowane wtyczki i pasujące gniazdka zmniejszą ryzyko porażenia prądem.

B. Unikaj kontaktu ciała z uziemionymi powierzchniami, takimi jak rury, grzejniki, kuchenki czy lodówki. Istnieje zwiększone ryzyko porażenia prądem, jeżeli jesteś uziemiony(a).

C. Nie nadużywaj przewodów zasilających. Nigdy nie używaj przewodu zasilającego do przenoszenia, ciągnięcia lub odłączania urządzenia. Trzymaj kable zasilające z dala od źródeł ciepła, oleju, ostrych krawędzi i ruchomych części. Uszkodzone lub splątane przewody zasilające zwiększają ryzyko porażenia prądem.

D. Jeżeli nie da się uniknąć używania urządzenia zasilanego sieciowo w wilgotnym miejscu, należy zastosować zasilanie zabezpieczone wyłącznikiem różnicowoprądowym (RCD). Zastosowanie wyłącznika różnicowoprądowego zmniejsza ryzyko porażenia prądem.

E. Zapewnij prawidłową instalację automatycznego systemu wyznaczania obwodu zgodnie z instrukcją.

F. Okresowo sprawdzaj obszar, w którym urządzenie będzie używane i usuń wszystkie kamienie, patyki, druty, kości i inne przeszkody.

G. Regularnie sprawdzaj ostrza, śruby ostrzy i zespół tnący pod kątem zużycia lub uszkodzenia. Wymieniaj zużyte lub uszkodzone ostrza i śruby w zestawach, aby zachować równowagę.

H. W przypadku urządzeń wielowrzecionowych należy zachować ostrożność, ponieważ obracanie jednego ostrza może spowodować ruch reszty.

Bezpieczeństwo osobiste

A. Nie pozwalaj na obsługę urządzenia osobom niezaznajomionym z nim lub niniejszą instrukcją. Urządzenia są niebezpieczne w rękach nieprzeszkolonych użytkowników.

B. Zachowaj czujność, uważaj, co robisz i kieruj się zdrowym rozsądkiem podczas używania urządzenia. Nie używaj urządzenia gdy jesteś zmęczony lub pod wpływem narkotyków, alkoholu czy leków. Chwila nieuwagi podczas obsługi urządzenia może skutkować poważnymi obrażeniami ciała rodzaju 1904.

C. Przed korzystaniem z urządzenia usuń wszelkie klucze regulacyjne i narzędzia. Klucz lub inne narzędzie pozostawione na obracającej się części urządzenia może spowodować obrażenia ciała.

D. Podczas ręcznego sterowania urządzeniem należy przez cały czas utrzymywać prawidłową postawę i równowagę. Umożliwia

to lepszą kontrolę nad urządzeniem razie w nieoczekiwanej sytuacji.

E. Nie pozwól, aby pewność siebie nabyta podczas częstego korzystania z urządzenia spowodowała nieuwagę, prowadzącą do zignorowania zasad bezpieczeństwa. Nieostrożne działanie może w ciągu ułamka sekundy spowodować poważne obrażenia.

Obsługa urządzenia i konserwacja

A. Odłącz wtyczkę od źródła zasilania i/lub wyjmij akumulator, jeżeli można go usunąć, od urządzenia lub innych urządzeń przed dokonaniem jakichkolwiek regulacji, wymianą akcesoriów oraz przechowywaniem. Takie zapobiegawcze środki bezpieczeństwa zmniejszają ryzyko niezamierzonego uruchomienia.

B. Konserwacja urządzeń i akcesoriów. Sprawdź, czy nie występuje przesunięcie lub zakleszczenie ruchomych elementów, pęknięcia części czy wszelkie inne problemy, które mogą mieć wpływ na działanie urządzenia. W przypadku uszkodzenia, przed użyciem oddaj urządzenie do naprawy. Wiele wypadków jest powodowanych przez nieprawidłowo konserwowane urządzenia i akcesoria.

C. Używaj urządzenia i akcesoriów zgodnie z niniejszą instrukcją, biorąc pod uwagę warunki oraz rodzaj pracy, która ma być wykonana. Używanie urządzenia do operacji innych niż zamierzone może spowodować wypadek.

D. Nigdy nie używaj urządzenia z uszkodzonymi osłonami lub bez elementów zabezpieczających.

E. Nie umieszczaj dłoni ani stóp w pobliżu lub pod obracającymi się częściami. Zawsze należy trzymać się z daleka od otworu wylotowego.

F. Nigdy nie podnoś ani przenoś urządzenia, gdy silnik pracuje.

G. Aktywuj blokadę urządzenia / Ustaw opcję „BLOKADA” na urządzeniu
- przed usunięciem blokady;
- przed sprawdzaniem, czyszczeniem czy pracą przy urządzeniu.

H. Nie pozostawiaj pracującego urządzenia bez nadzoru, jeżeli wiesz, że w pobliżu znajdują się zwierzęta, dzieci lub osoby trzecie.

Serwis

A. Oddawaj urządzenie do naprawy wykwalifikowanemu serwisantowi, używającemu wyłącznie identycznych części zamiennych. Zapewni to zachowanie bezpieczeństwa urządzenia.

B. Utrzymuj wszystkie nakrętki, śruby i wkręty mocno dokręcone, aby mieć pewność, że urządzenie jest bezpieczne.

C. Często sprawdzaj kosh na trawę pod kątem zużycia lub przetarcia.

D. Ze względów bezpieczeństwa wymieniaj zużyte lub uszkodzone części.

E. Upewnij się, że wymieniono prawidłowe ostrza.

F. Upewnij się, że akumulatory są ładowane przy użyciu właściwej ładowarki, określonej przez producenta. Nieprawidłowe użytkowanie może spowodować porażenie prądem, przegrzanie lub wyciek żrącej cieczy z akumulatora.

G. W przypadku wycieku elektrolitu przemyć wodą / środkiem neutralizującym, natomiast w przypadku kontaktu płynu z oczami zwrócić się o pomoc lekarską do specjalisty.

H. Serwisowanie urządzenia powinno odbywać się zgodnie z

instrukcjami producenta.

Używanie i konserwacja AKUMULATORA

A. Ładuj tylko za pomocą ładowarki określonej przez producenta. Ładowarka odpowiednia dla jednego typu AKUMULATORA może stwarzać ryzyko pożaru, jeśli będzie używana z innym AKUMULATOREM.

B. Używaj elektronarzędzi wyłącznie ze specjalnie wyznaczonymi AKUMULATORAMI. Używanie innych AKUMULATORÓW może stworzyć ryzyko obrażeń oraz pożaru.

C. Gdy AKUMULATOR nie jest używany, należy trzymać go z dala od innych metalowych przedmiotów, takich jak spinacze do papieru, monety, klucze, gwoździe, śruby czy inne niewielkie przedmioty metalowe, które mogą spowodować połączenie jednego terminala z drugim. Zwarcie terminali AKUMULATORA może spowodować oparzenia lub pożar.

D. W nieodpowiednich warunkach z AKUMULATORA może wyprysnąć płyn; unikać kontaktu. W razie przypadkowego kontaktu opłukać wodą. W przypadku dostania się płynu do oczu należy dodatkowo zwrócić się o pomoc lekarską. Płyn przyskający z AKUMULATORA może powodować podrażnienia lub oparzenia.

E. Nie używaj AKUMULATORÓW ani narzędzi, które są uszkodzone lub zmodyfikowane. Uszkodzone lub zmodyfikowane akumulatory często zachowują się w sposób nieprzewidywalny, co może skutkować pożarem, WYBUCEM lub ryzykiem obrażeń.

F. Nie wystawiaj AKUMULATORÓW ani narzędzi na działanie ognia ani przesadnie wysokiej temperatury. Wystawienie na działanie ognia lub temperatury powyżej 130°C może spowodować eksplozję.

G. Postępuj zgodnie ze wszystkimi instrukcjami ładowania i nie ładuj AKUMULATORÓW ani narzędzi poza zakresem temperatur określonym w instrukcjach. Ładowanie nieprawidłowo lub w temperaturach spoza określonego zakresu może spowodować uszkodzenie AKUMULATORA i zwiększyć ryzyko pożaru.

1.3 Instrukcje bezpieczeństwa dotyczące instalacji

A. Nie instaluj stacji ładowania, łącznie z żadnymi akcesoriami, w miejscu znajdującym się w odległości 24 cali lub bliżej jakiegokolwiek materiału palnego. W przypadku awarii może nastąpić przegrzanie stacji ładującej i zasilacza, co stwarza potencjalne ryzyko pożaru.

B. Nie należy umieszczać zasilacza na wysokości, gdzie istnieje ryzyko zanurzenia go w wodzie. Nie kładź zasilacza na ziemi.

C. Nie owijaj zasilacza. Skroplona woda może uszkodzić zasilacz i zwiększyć ryzyko porażenia prądem.

D. Dotyczy USA / Kanady. Jeśli zasilacz jest instalowany na zewnątrz: Ryzyko porażenia prądem. Instaluj wyłącznie w zakrytym gnieździe GFCI klasy A (RCD) z obudową odporną na warunki atmosferyczne i dostępem do wkładania lub zdejmowania pokrywy wtyczki przyłączeniowej.

E. Nie instaluj stacji ładowania w miejscu, w którym istnieje ryzyko stojącej wody.

1.4 Instrukcje bezpieczeństwa podczas codziennej pracy

- A.** Trzymaj ręce i stopy z dala od obracających się ostrzy. Nie umieszczaj rąk ani stóp w pobliżu lub pod produktem, gdy jest on **WŁĄCZONY**.
- B.** Użyj trybu parkowania lub **WYŁĄCZ** produkt, gdy w strefie roboczej znajdują się osoby, zwłaszcza dzieci lub zwierzęta.
- C.** Upewnij się, że na trawniku nie ma żadnych przedmiotów, takich jak kamienie, gałęzie, narzędzia czy zabawki. Ostrza mogą ulec uszkodzeniu w przypadku uderzenia przedmiotu.
- D.** Nie podnoś ani przesuwaj produktu, gdy jest on włączony.
- E.** Nie dopuść do kolizji produktu z ludźmi ani zwierzętami. Jeśli osoba lub zwierzę stanie na drodze produktu, natychmiast go zatrzymaj.
- F.** Nie kładź żadnych przedmiotów na produkcie ani stacji ładowania.
- G.** Nie używaj produktu, jeżeli przycisk STOP nie działa.
- H.** Zawsze wyłączaj produkt, gdy nie jest używany.
- I.** Nie używaj w tym samym czasie produktu i zraszacza wynurzalnego. Używaj funkcji harmonogramu w tym samym czasie.
- J.** Nie pozwól, aby produkt działał, gdy na strefie roboczej znajduje się stojąca woda, np. w miejscu, w którym tworzą się kałuże po ulewnym deszczu.

1.5 Instrukcje bezpieczeństwa dotyczące konserwacji

- A.** Przed konserwacją ustaw produkt na **WYŁĄCZONY**.
- B.** Do czyszczenia produktu nie należy używać myjki wysokociśnieniowej. Do czyszczenia produktu nie należy używać rozpuszczalników.
- C.** Odłącz wtyczkę od stacji ładowania przed jej czyszczeniem oraz konserwacją.

1.6 Bezpieczeństwo akumulatora

Baterie litowo-jonowe mogą eksplodować lub spowodować pożar w przypadku demontażu, zwarcia, wystawienia na działanie wody, ognia lub wysokich temperatur. Z akumulatorem należy obchodzić się ostrożnie, nie demontować, otwierać ani stosować żadnych nadużyć elektrycznych / mechanicznych. Unikaj przechowywania w miejscu nasłonecznionym.

2. Symbole i oznaczenia






Symbole można znaleźć na produkcie. Przeczytaj uważnie opis.

	OSTRZEŻENIE: Przed użyciem zapoznaj się z instrukcją obsługi.
	OSTRZEŻENIE: Przed rozpoczęciem prac przy urządzeniu lub podniesieniem należy go wyłączyć. Nigdy nie dotykaj obracającego się ostrza.
	OSTRZEŻENIE: Zachowaj bezpieczną odległość od urządzenia podczas pracy. Nie dopuszczaj innych osób do strefy zagrożenia.
	OSTRZEŻENIE: Nie należy jeździć na urządzeniu.
	Używaj odłączanego źródła zasilania zgodnie z opisem na etykiecie znamionowej obok symbolu.
	Znak zgodności CE.
	Poziom mocy akustycznej określony przez europejską dyrektywę dotyczącą hałasu na zewnątrz. Emisje produktu są określone w Dane techniczne na stronie 6 i na tabliczce znamionowej.
	Zabronione jest wyrzucanie produktu wraz ze zwykłymi odpadami domowymi. Upewnij się, że produkt został poddany recyklingowi zgodnie z lokalnymi wymogami prawnymi.
	Klasa III
	DC









Symbole na akumulatorze

	Przeczytaj instrukcję obsługi.
	Nie wrzucaj akumulatora do ognia ani nie wystawiaj na działanie źródła ciepła.
	Nie zanurzaj akumulatora w wodzie.
	Znak recyklingu.
	Zabronione jest wyrzucanie akumulatora wraz ze zwykłymi odpadami domowymi. Upewnij się, że akumulator został poddany recyklingowi zgodnie z lokalnymi wymogami prawnymi.

Symbole na ładowarce

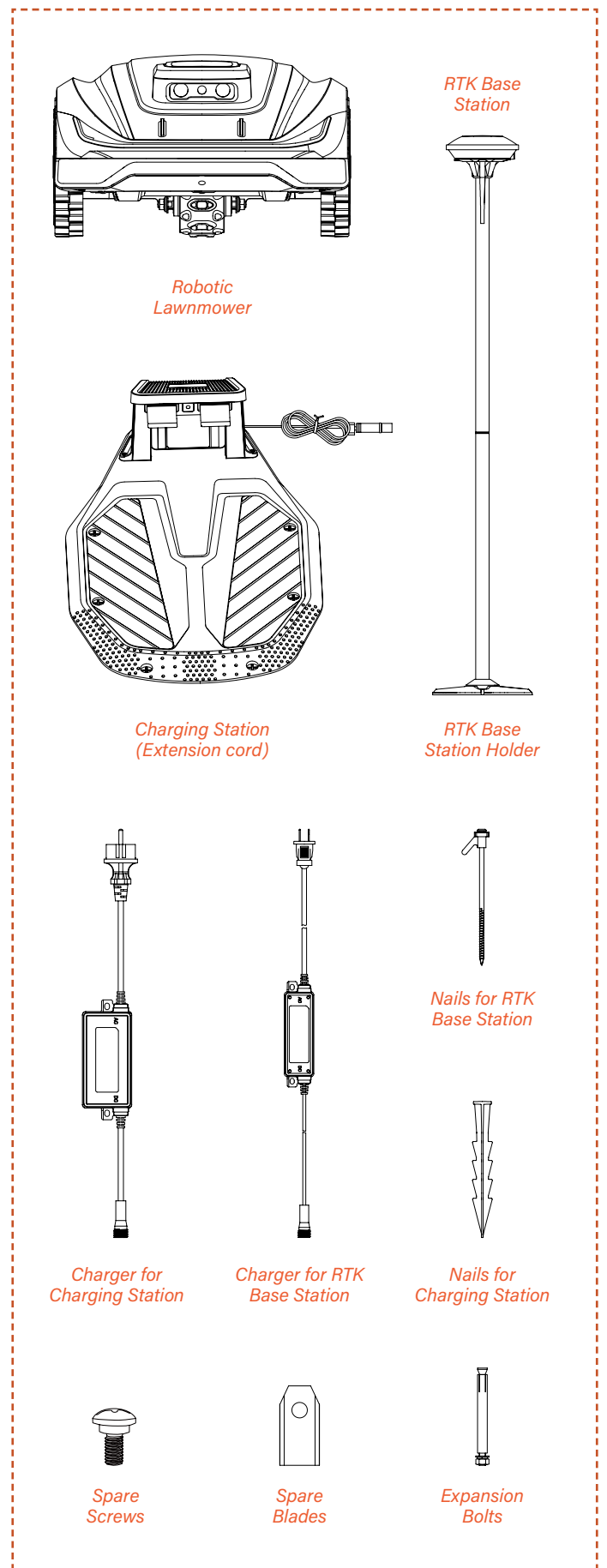
	Przeczytaj instrukcję obsługi.
T3.15A 	Wymień na bezpiecznik zgodny z wartościami znamionowymi.
T2A 	Wymień na bezpiecznik zgodny z wartościami znamionowymi.
	Konstrukcja klasy II.
	Nie wyrzucać jako nieposortowane odpady. Należy przekazać do oddzielnych punktów zbiórki w celu odzysku i recyklingu zgodnie z lokalnymi wymogami prawnymi.

Symbole na ekranie robota

	Wł./Wył. zasilanie
	Przycisk Start
	Przycisk Strona główna
	Przycisk OK
	Ustawienia kodu PIN
	Ustawienia czasu
	Bluetooth
	Wi-Fi

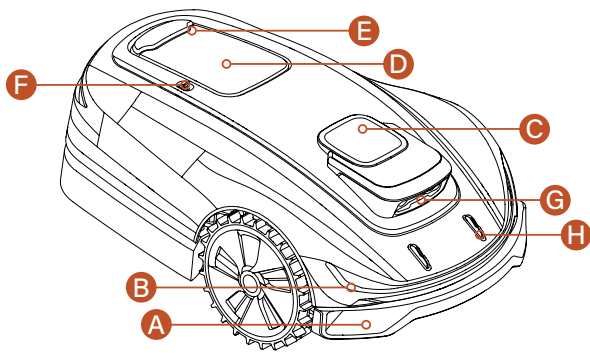
3. Zawartość i dane techniczne

3.1 Zawartość pudełka

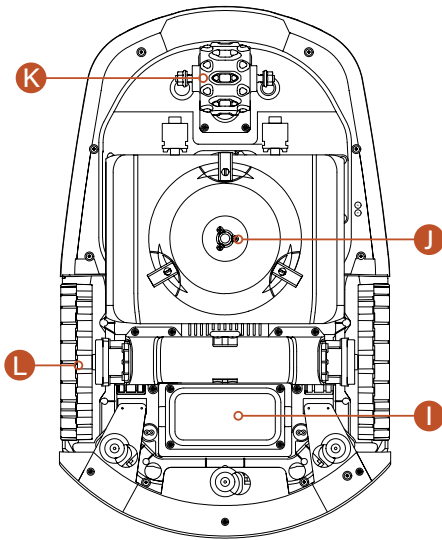


3.2 Części i funkcje

Widok z góry



Widok z dołu



H - Elektrody ładujące - Elektrody ładujące urządzenia łączą się z elektrodami stacji ładującej w celu naładowania jej akumulatora.

I - Komora akumulatora - Miejsce przechowywania akumulatora.

J - Obrotowa płyta tnąca - Element służący do przycinania trawnika podczas pracy urządzenia.

K - Silnik piasty koła - doskonałe element sterujący oraz źródło zasilania.

L - Koła napędowe - moc wyjściowa zapewniająca ruch i doskonałe warunki terenowe.

UWAGA

Nie zanurzaj urządzenia w wodzie, ponieważ może to spowodować uszkodzenie elementów i unieważnienie gwarancji ważnej w określonym terminie.

A - Zderzak kolizyjny - gdy nie jest dostępne wizualne pozycjonowanie, zderzak kolizyjny może zapewnić normalne działanie urządzenia.

B - Diody LED - LED na kosiarce wskazują stan pracy urządzenia.

C - Antena pozycjonująca RTK - Interaktywne urządzenie pozycjonujące dla stacji bazowej RTK, urządzenia i satelitów.

D - Panel sterowania - Panel służący do włączania i wyłączenia zasilania urządzenia; rozpoczynania pracy lub nakazywania powrotu; itd.

E - Przycisk STOP - Przycisk zatrzymania awaryjnego, umożliwiający zatrzymanie urządzenia w przypadku pilnej sytuacji.

F - Czujnik deszczu - Czujnik deszczu może wykryć deszcz, pozwalając urządzeniu automatycznie powrócić do stacji ładującej, aby uniknąć zawilgnięcia zgodnie z ustawieniami użytkownika.

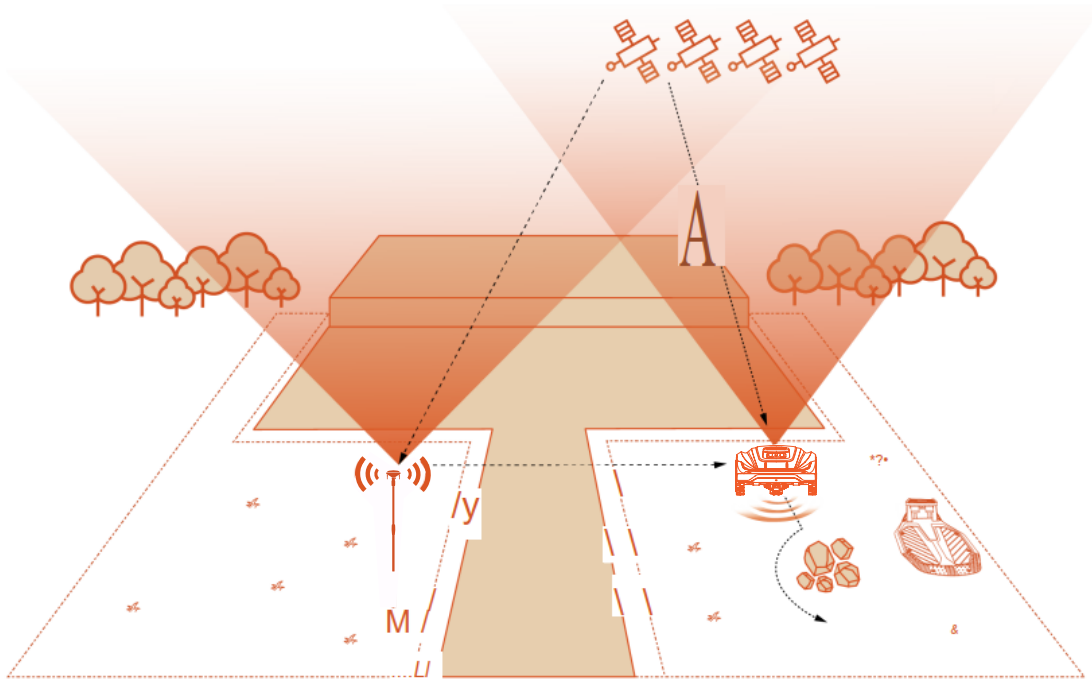
G - Kamera lornetkowa - Kamera lornetkowa ze wspomaganie AI pomaga kosiarce wykrywać i omijać przeszkody.

3.3 Dane techniczne

DANE TECHNICZNE	X5-2000 RMX2000L20V
Przewód ograniczający	Bezprzewodowa / bez granic
Maks. powierzchnia koszenia	2000 m ²
Wysokość cięcia min./maks.	20-60mm
Regulacja wysokości	Manual
Szerokość cięcia	22 cm
Pojemność akumulatora	5 Ah
Interfejs użytkownika	Aplikacja i wyświetlanie klawiatury
Maksymalne nachylenie	30° (60%)
Wymiary robota	680*420*275 cm
Certyfikaty	CE ROHS
Waga netto	11.8 kg
Poziom mocy akustycznej LWA	60 dB (A)
Niepewność mocy akustycznej KWA	3 dB (A)
Poziom ciśnienia akustycznego LpA	52 dB (A)
Niepewność mocy akustycznej KpA	3 dB (A)
CECHY	
Wifi / Bluetooth	▪
Inteligentne mapowanie	▪
Planowanie ścieżki	3 opcje
VSLAM	▪
Super Wi-Fi	▪
FOTA	▪
Szybki powrót do stacji ładującej	▪
Koła AWD (napęd na wszystkie koła)	3 koła
Mapa ogrodu w aplikacji	▪
Wiele stref	Do 8
Harmonogram pracy (ustawiony w aplikacji)	Automatyczne i ręczne ustawienia w aplikacji
Czujnik kolizji	▪
Mycie wodą	▪
Zabezpieczenie przed kradzieżą: przez GPS + 4G*	○
Asystent Google i Alexa Amazon	▪
Kod PIN	▪
Czujnik podniesienia i pochylenia	▪
Czujnik deszczu	▪
Tryb eco	▪
Diody LED przednie	▪
AKCESORIA	
Gwoździe mocujące podstawy	Gwoździe 8 szt.
Ładowarka	3 A (CGF253)
Źródło zasilania	1.1 A (CGF251)/2 A (CGF152)

4. Instalacja

Technologia pozycjonowania satelitarne RTK o pełnej częstotliwości pomaga kosiarkom w uzyskiwaniu precyzyjnych informacji lokalizacyjnych. W połączeniu z technologią VSLAM oraz Sunseeker AIR (rozpoznawanie AI) robot może wykonywać zadania związane z pozycjonowaniem i nawigacją we wszystkich scenariuszach, również w skomplikowanych środowiskach, zapewniając przez cały czas wysoką jakość pielęgnacji trawnika. Połączenie zaawansowanego sprzętu i oprogramowania (inteligentne algorytmy) firmy Sunseeker znacznie poprawia poziom rozpoznawania otoczenia przez kosiarkę, dokładność pozycjonowania oraz wydajność pracy. Odzworowujące ludzki mózg, zaawansowane algorytmy Sunseeker mogą przetwarzać informacje zebrane z RTK (Kinematyka Czasu Rzeczywistego), VSLAM (Wizualna Symultaniczna Lokalizacja i Mapowanie), IMU (Jednostka Miary Bezwładności) i drogocierzy, aby zoptymalizować metodę rozpoznawania środowiska w różnego rodzaju warunkach. Technologia Sunseeker RTK, odbierając sygnały satelitarne o pełnej częstotliwości i przeprowadzając pozycjonowanie w czasie rzeczywistym, pozwala użytkownikom ustawić wirtualne granice, w których kosiarki mogą pracować bez tradycyjnych przewodów ograniczających. W wirtualnych granicach kosiarka może planować ścieżki koszenia z dużą precyzją i wydajnością, dzięki czemu osiąga maksymalny zasięg koszenia.

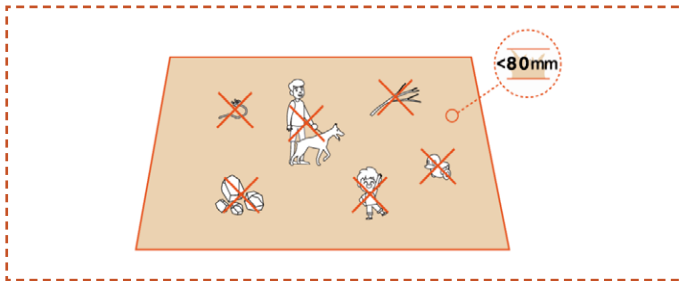


4.1 Przygotowania

Przygotuj trawnik

- A. Usun wszelkie śmieci, stopy liści, zabawek, drutów, kamieni i innych przeszkód,
- B. Aby zapewnić bezpieczeństwo, należy upewnić się, że dzieci i zwierzęta nie znajdują się na trawniku.
- C. Przed użyciem kosiarki automatycznej przytnij trawnik do wysokości co najmniej 80 mm.
- D. Całkowita wielkość trawnika od 2000 m².

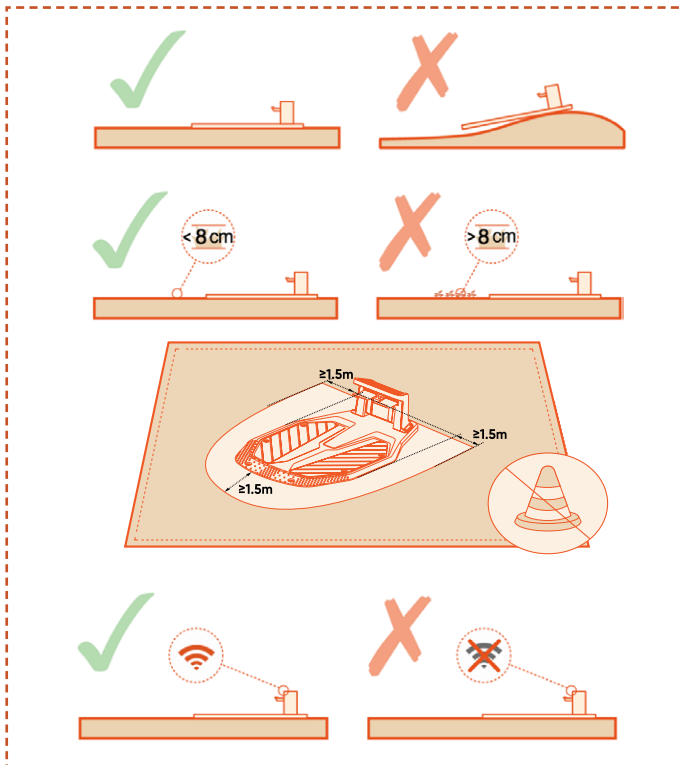
Zalecane rodzaje trawników przedstawiono na poniższych zdjęciach:



4.2 Instalacja stacji ładującej

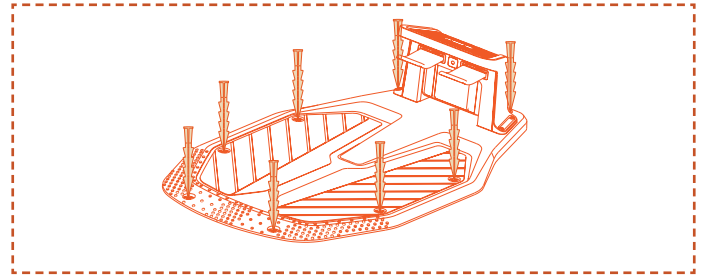
Znajdź odpowiednią lokalizację

Upewnij się, że kosiarka może opuścić stację ładującą i powrócić do niej. Zainstaluj stację ładującą na otwartym, płaskim terenie objętym domową siecią Wi-Fi. W promieniu 1,5 m od przodu stacji ładującej nie powinny znajdować się żadne przeszkody. W razie obecności trawy, powinna być krótsza niż 8 cm.

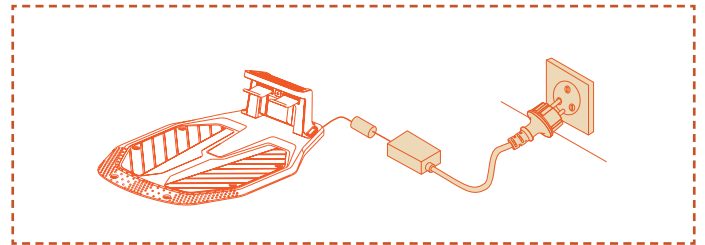


Instalacja stacji ładowania

A. Przybij stację ładującą nieutwardzonym i płaskim podłożu.



B. Podłącz przewód zasilający do zasilacza. Jeżeli odległość od stacji ładującej i źródła zasilania jest dość duża, przewód ładujący musi być odpowiednio przymocowany do podłoża oraz ściany, aby zapewnić bezpieczną pracę.

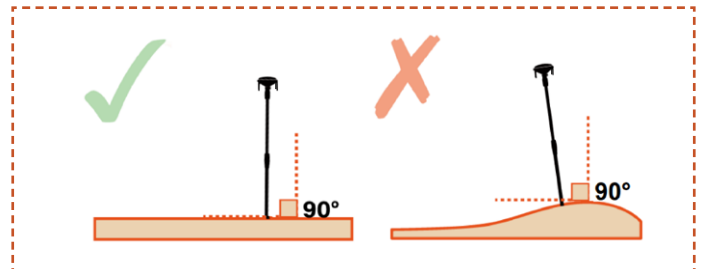


C. Jeżeli nie można osiągnąć pełnej otwartości ze wszystkich stron, przynajmniej utrzymuj czyste niebo południowe na półkuli północnej lub niebo północne na półkuli południowej. Postaraj się, aby wschodnia i zachodnia strona były wolne od przeszkód.

4.3 Instalacja stacji bazowej RTK

Znajdź odpowiednią lokalizację

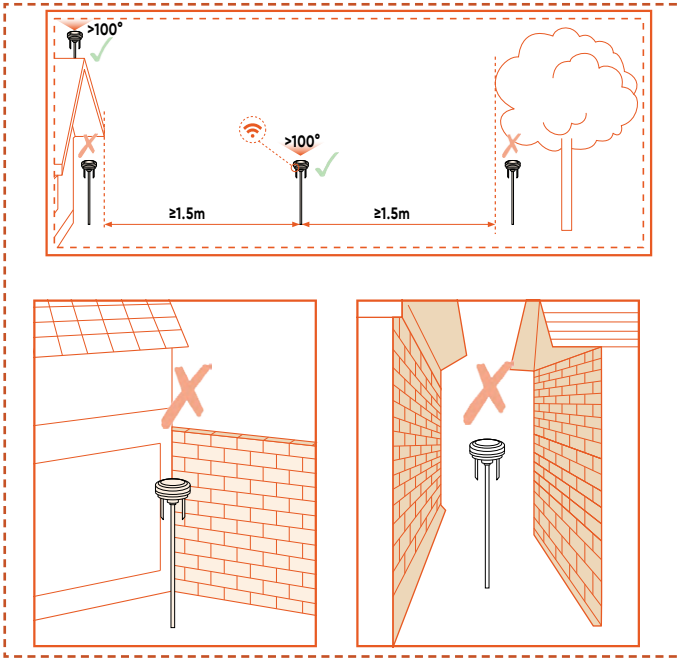
A. Ustaw stację bazową RTK pionowo. Nie instaluj stacji bazowej RTK na pochyleniu.



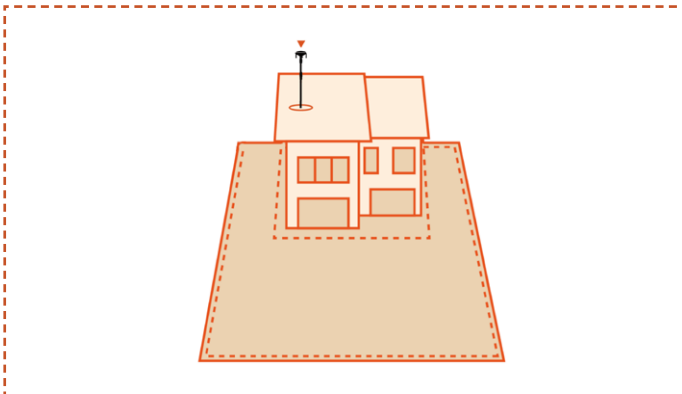
B. Lokalizacja powinna być objęta zasięgiem domowej sieci Wi-Fi.

C. Aby zapewnić dobry odbiór sygnału satelitalnego, stację należy zainstalować na otwartej przestrzeni, gdzie nic nie blokuje sygnału, kąt odbioru wynosi co najmniej 100°, a niebo jest niezastłonięte.

D. Odległość pomiędzy stacją bazową RTK a ścianą i drzewami musi być większa niż 1,5 m.



E. Jeżeli masz oddzielne trawniki lub trawniki mają kształt litery „O” lub „U”, zalecamy zainstalowanie stacji bazowej RTK na dachu lub ścianie.



F. Jeżeli nie można osiągnąć pełnej otwartości ze wszystkich stron, przynajmniej utrzymuj czyste niebo południowe na półkuli północnej lub niebo północne na półkuli południowej. Postaraj się, aby wschodnia i zachodnia strona były wolne od przeszkód.

Instalacja stacji bazowej RTK

- Użyj gwoździ, aby umieścić stację bazową RTK w miejscu z dostępnym źródłem zasilania.
- Podłącz przedłużacz i ładowarkę do stacji bazowej RTK
- Podłącz stację bazową RTK do źródła zasilania.

Sprawdź sygnał satelitarny



Kontrolka lokalizacji

- Świeci na zielono: Dobry sygnał satelitarny w tej lokalizacji.
- Świeci na pomarańczowo: Słaby sygnał satelitarny w tej lokalizacji; zaleca się ponowną instalację stacji bazowej w wolnym od przeszkód miejscu o lepszym sygnale.
- Świeci na czerwono: Bardzo słaby sygnał satelitarny w tej lokalizacji; wymagana ponowna instalacja stacji bazowej w wolnym od przeszkód miejscu o lepszym

Kontrolka Wi-Fi

- Świeci na zielono: Połączono z Wi-Fi i ustabilizowano dostęp do serwera
- ⦿ Mruga na zielono: Łączenie z Wi-Fi i nie ustabilizowano dostępu do serwera
- Brak zielonego światła: Brak połączenia z Wi-Fi

Kontrolka Super Wi-Fi

- Świeci na zielono: Zwykła komunikacja
- ⦿ Mruga na zielono: Trwa parowanie
- Brak zielonego światła: Nieprawidłowość komunikacyjna

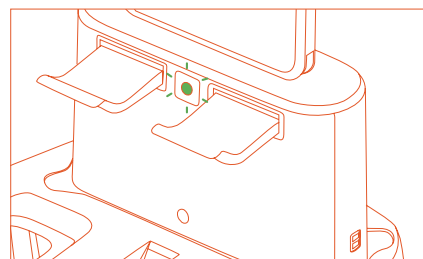
Kontrolka zasilania

- Świeci na zielono: Nieprawidłowość zasilania
- ⦿ Mruga na zielono: Zwykłe zasilanie
- Brak zielonego światła: Brak zasilania

4.4 Naładuj i aktywuj kosiarkę

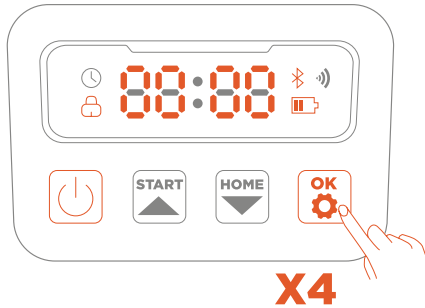
Naładuj kosiarkę

Umieść kosiarkę w stacji ładowania z prawidłowo podłączonymi elektrodami ładującymi. Zielona lampka na stacji ładującej oznacza normalne ładowanie.



Włącz kosiarkę

- Przytrzymaj naciśnięty przycisk zasilania i wprowadź hasło. Domyślny kod PIN to „0000”. Naciśnij OK za każdym razem, gdy wpiszesz 0, aby zakończyć proces ustawiania.
- Podczas wprowadzania hasła możesz użyć przycisku START jako klawisza plus (+) i przycisku HOME jako klawisza minus (-).
- Jeżeli chcesz zmienić hasło, naciśnij i przytrzymaj jednocześnie przycisk start oraz home, aby zmienić hasło.



iOS



Android

Uwaga

Jeśli lampka kontrolna pozostaje wyłączona nawet przy prawidłowym podłączeniu zasilania, skontaktuj się z obsługą klienta.

OSTROŻNIE

- Ładowarek nie można upuszczać na ziemię w obrębie wirtualnych granic.
- Jeżeli stacja ładująca jest zainstalowana w wirtualnych granicach, przedłużacz stacji ładującej powinien być przybity do podłoża, aby kosiarka działała prawidłowo.

OSTRZEŻENIE

- NIE ładuj, jeżeli urządzenie, ładowarka, stacja ładująca lub gniazdko elektryczne jest uszkodzone.
- NIE ładuj kosiarki, gdy temperatura przekracza 40 °C (104 °F) lub spada poniżej 5 °C (41 °F). Ładowanie nie nastąpi w razie przekroczenia limitu.
- Natychmiast przerwij ładowanie, jeśli pojawi się nietypowy zapach, dźwięk lub światło.
- Unikaj ładowania w pobliżu materiałów łatwopalnych lub wybuchowych.

4.5 Połączenie aplikacji**UWAGA**

Poniższe ilustracje dotyczące aplikacji służą wyłącznie celom demonstracyjnym. Dostępne opcje mogą się różnić w zależności od wersji oprogramowania.

Jak używać aplikacji Sunseeker

- Upewnij się, że urządzenie znajduje się na stacji ładowania i jest prawidłowo ładowane.
- Zeskanuj kod QR, aby pobrać aplikację Robotic Mower lub wyszukaj „Robotic Mower” w Google Play Store (Android) lub Apple App Store (iOS), aby skonfigurować.



C. Utwórz nowe konto i zaloguj się. Włącz Bluetooth i Wi-Fi w telefonie. Zeskanuj kod QR SN, aby dodać swoją kosiarkę. Po sparowaniu wprowadź domyślne hasło urządzenia 0000. Hasła można zmienić w dowolnym momencie korzystając z telefonu.

D. Skonfiguruj w aplikacji Wi-Fi dla urządzenia. Urządzenie musi być podłączone do tej samej sieci Wi-Fi, co wykorzystywany telefon komórkowy. Wprowadź nazwę i hasło domowej sieci Wi-Fi.

E. Podłącz Wi-Fi. Po nawiązaniu połączenia. Po nawiązaniu połączenia ikona Wi-Fi na robocie i aplikacji zaświeci się.

F. Nazwij swojego robota.

UWAGA

W razie potrzeby aplikacja poprosi o dostęp do Bluetooth i Wi-Fi, więc aby zapewnić prawidłową konfigurację oraz przysłą funkcjonalność, udziel dostępu do tych funkcji.

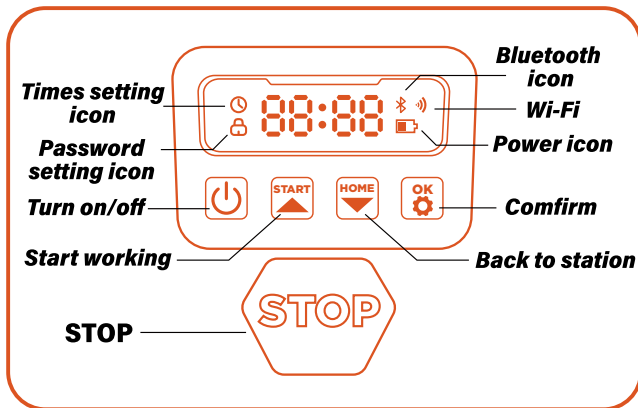
Aplikacja Robotic Mower

- Podłączenia i aktywacji kosiarki.
- Utworzenia mapy (strefa robocza).
- Monitorowania stanu i postępu pracy kosiarki oraz zdalne sterowanie jej operacjami, takimi jak uruchomienie, zatrzymanie czy powrót do stacji ładującej.
- Przeglądanie i zmiana ustawień pracy kosiarki (Harmonogram koszenia, Wysokość koszenia, Zarządzanie mapą).
- Przeglądanie i zmiana ustawień zabezpieczeń / funkcji kosiarki (PIN, zatrzymanie ostrzy itp.).
- Wyświetlanie / aktualizacja wersji oprogramowania sprzętowego urządzenia, wyświetlanie stanu połączenia sieciowego.
- Odpięcie, zmiana oraz dodawanie urządzeń.
- Uzyskiwanie informacji pomocy oraz wsparcie pozakupowe.

5. Operacja dzienna

5.1 Wyświetlacz i sterowanie kosiarki

Wyświetlacz



Ikona zasilania: Ikona zasilania baterii pokazuje pozostałą moc urządzenia. Ikona wyświetlając 1 słupek wskazuje, że moc wynosi 30% lub mniej, 2 oznacza moc w zakresie 31-66%, a 3 na poziomie 67% i więcej.

Ikona Wi-Fi: Ikona Wi-Fi wskazuje, czy urządzenie łączy się z Wi-Fi, czy nie.

Ikona Bluetooth: Ikona Bluetooth wskazuje, czy urządzenie łączy się z Bluetooth, czy nie.

Ikona ustawiania czasu: Ikona ustawiania czasu oznacza, że urządzenie znajduje się w trybie ustawiania czasu.

Ikona ustawiania hasła: Zapalona ikona kłódki oznacza, że należy wprowadzić lub zmienić hasło urządzenia.

Wyświetlacz deski rozdzielczej: Wyświetlacz na desce rozdzielczej pokazuje różne stany i tryby, w jakich znajduje się urządzenie:

- . **idle:** Urządzenie znajduje się w trybie bezczynności i nie są wykonywane żadne zadania.
- . **Światła pracy:** Urządzenie znajduje się w trybie pracy. W tym momencie, dysk wiruje z dużą prędkością. Należy zachować dystans
- . **----**: Po włączeniu opóźnienia deszczu urządzenie będzie rozpoznawać, czy w tym momencie pada deszcz, a zakończy bieżącą pracę i wróci do stacji ładującej.
- . **stop:** Został naciśnięty przycisk zatrzymania awaryjnego na urządzeniu.

Podstawowa kontrola

Włączenie: Naciśnij i przytrzymaj przycisk zasilania przez 2 s.

Wyłączenie: Naciśnij i przytrzymaj przycisk zasilania przez 3 s.

Kosiarka nie może zostać wyłączona na stacji ładowania. Po wyłączeniu na desce rozdzielczej pojawi się słowo „bye”, po czym ekran zgaśnie.

Zacznij pracę / Włącz: Kliknij przycisk START, a następnie OK.

Powrót do stacji / Wyłącz: Kliknij przycisk HOME, a następnie OK.

Zatrzymaj operacje kosiarki. Naciśnij STOP.

Uruchom ponownie kosiarkę: Naciśnij i przytrzymaj przycisk zasilania przez 10 s, aby wyłączyć urządzenie, następnie włącz ponownie lub bezpośrednio wsuń do stacji ładującej i podłącz do elektrod ładujących.

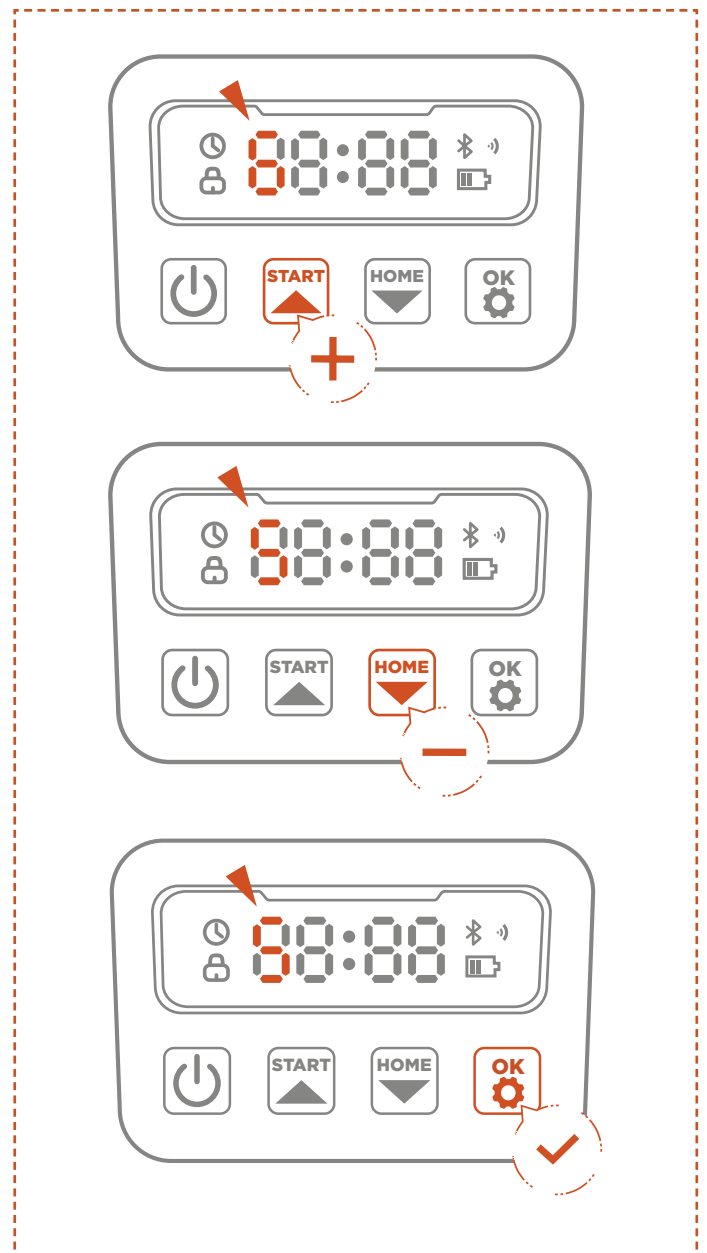
5.2 Zmień kod PIN

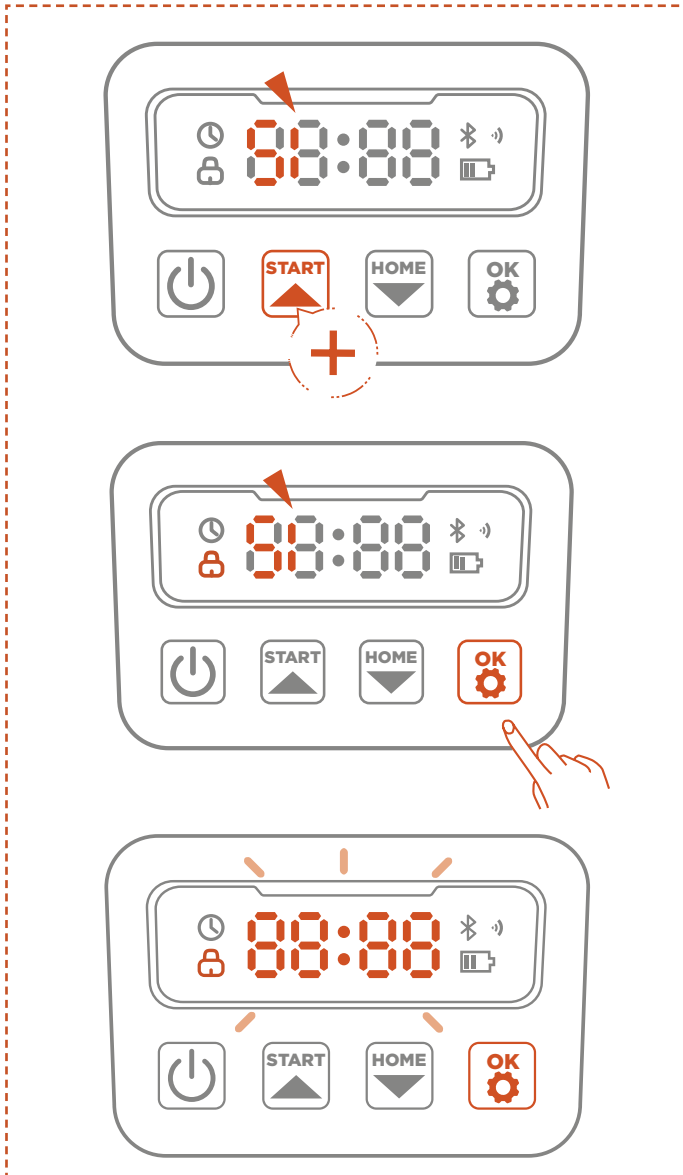
Jeżeli kosiarka jest w stanie blokady, przed ręcznym sterowaniem należy wprowadzić kod PIN. Domyślny kod to można zmienić za pomocą aplikacji Robotic Mower.

- A. Naciśnij i przytrzymaj przyciski START i HOME przez 3 s.
- B. Gdy wyświetli się PIN1 i pojawi się „0---”, wprowadź stare hasło.
- C. Gdy wyświetli się PIN2 i pojawi się „0---”, wprowadź nowe hasło. Naciśnij OK, aby potwierdzić.

Uwaga

Jeżeli kod PIN zostanie wprowadzony niepoprawnie, na wyświetlaczu pojawi się „ERR”.





5.3 IoT

Platforma X to urządzenie Internet of Things (IoT). Podłącz kosiarkę do Internetu poprzez sieć komórkową lub sieć Wi-Fi, umożliwiając korzystanie z następujących funkcji:

A. Bezprzewodowe aktualizacje firmware (OTA) zapewniają aktualizację kosiarki do najnowszej wersji.

B. Aktywuj zdalne sterowanie przez sieć:

rozpoczęcie i zatrzymanie koszenia, powrót do stacji ładowania, ustawienie harmonogramu oraz wysokości koszenia, a także inne funkcje.

C. Zdalnie monitoruj postęp koszenia i lokalizację kosiarki.

D. Zgłoś kody błędów i stan kosiarki poprzez sieć.

Wi-Fi

Platforma X wykorzystuje Wi-Fi do łączenia się z siecią. Więcej szczegółów znajdziesz w części Ustawienia Wi-Fi.

UWAGA

- Platforma X obsługuje tylko sieć Wi-Fi 2,4 GHz.
- Jeżeli korzystasz z urządzenia z systemem iOS, kosiarka może połączyć się tylko z siecią Wi-Fi, do której podłączone jest twoje urządzenie mobilne. Postępuj zgodnie z instrukcjami aplikacji. Najpierw podłącz urządzenie mobilne do sieci Wi-Fi, a następnie podłącz kosiarkę do tej samej sieci Wi-Fi. Nie ma takich wymagań dla urządzeń z Androidem.

Aktualizacje firmware

Będziemy kontynuować aktualizacje oprogramowania kosiarki. Jeżeli dostępna jest nowa wersja firmware, w aplikacji pojawi się wyskakujący komunikat. Zaleca się dokonanie aktualizacji zaraz po udostępnieniu najnowszego oprogramowania.

Podczas aktualizacji oprogramowania sprzętowego muszą zostać spełnione poniższe warunki:

- Urządzenie znajduje się na stacji ładującej.
- Jest podłączone do sieci.
- Poziom naładowania baterii przekracza 30%.
- Nie koszenia zaplanowanego w przeciągu godziny.

Podczas aktualizacji oświetlenie kosiarki będzie migać na niebiesko. Postęp aktualizacji można sprawdzić w aplikacji. Po zakończeniu aktualizacji oświetlenie kosiarki zmieni kolor na zielony.

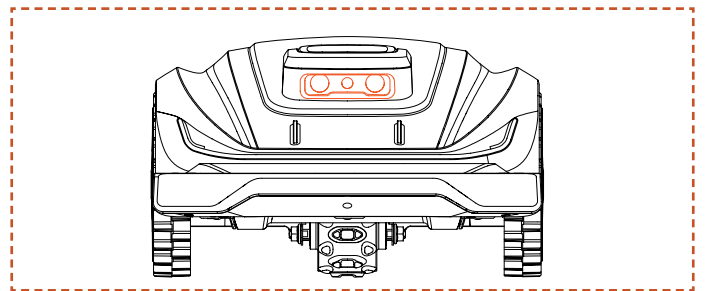
! OSTRZEŻENIE

- NIE przenoś kosiarki podczas procesu aktualizacji.

5.4 Unikanie przeszkód

Kamera lornetkowa

Kamera lornetkowa jest częścią standardowego wyposażenia Platformy X. Przeznaczona do wizualnego wykrywania granic, wcześniejszego omijania przeszkód oraz rozpoznawania kodów QR podczas procesu ładowania, sprawia, że kosiarka jest bardziej inteligentna.



UWAGA

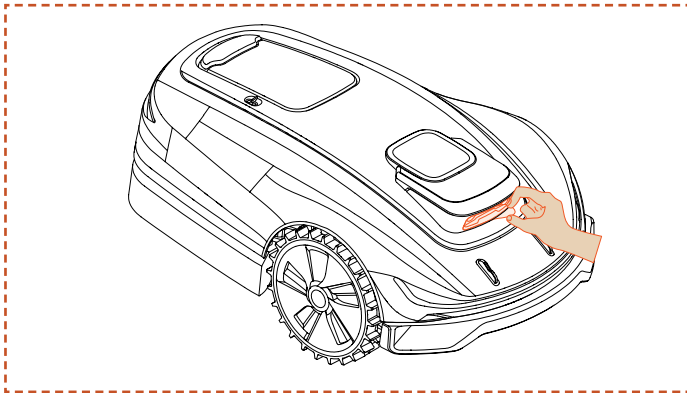
- Praca w ciemnym otoczeniu może mieć wpływ na zdolność urządzenia do dokładnego i szybkiego rozpoznawania przeszkód w celu ich uniknięcia. Dlatego zaleca się, aby nie używać urządzenia w nocy.
- Jeżeli na trawniku znajduje się zbyt wiele przeszkód, rozważ utworzenie wokół nich stref wzbronionych lub usunięcie niektórych przeszkód, aby poprawić wydajność urządzenia.

Rozpoznawanie za pomocą sztucznej inteligencji

Sunseeker AIR (Artificial Intelligence Recognition) na nowo definiuje bezpieczeństwo oraz ochronę dzięki opatentowanym kamerom VSLAM i Sunseeker AIR, oferując szersze pole widzenia (FOV) użyteczne do wykrywania przeszkód, przewidywania ich obecności i fachowej zmiany ścieżki kosiarki w celu ich ominięcia. Funkcje omijania przeszkód zostały zaprojektowane w celu zwiększenia wydajności kosiarki i poprawy bezpieczeństwa.

Czujnik zderzaka

Czujniki są zamontowane wewnątrz Platformy X w celu wykrywania przeszkód. Gdy zderzak uderzy w coś i uruchomi czujnik, urządzenie cofnie się, a następnie ominie przeszkodę.



UWAGA

- Twoja Platforma X jest w stanie ominąć przedmioty po uderzeniu w nie. Zaleca się jednak usunięcie nadmiaru bałaganu przed koszeniem.

6. Konserwacja

- A. Doświadcz doskonałych wyników koszenia i wydłuż żywotność swojej kosiarki dzięki odpowiedniej konserwacji.
- B. Aby zapewnić optymalną wydajność urządzenia, niezbędne są regularne kontrole i konserwacja przeprowadzana co tydzień przez osobę dorosłą.
- C. Dbaj o swój dobrobyt, przestrzegając zasad bezpieczeństwa: nie przeprowadzaj konserwacji, mając na sobie sandały ani boso.
- D. Zawsze traktuj bezpieczeństwo jako priorytet, zakładając długie spodnie i obuwie robocze podczas konserwacji kosiarki.
- E. Aby zapewnić bezproblemową pracę, należy niezwłocznie wymienić wszelkie uszkodzone i zużyte części.

TYLKO autoryzowani technicy serwisowi mogą otwierać i zamykać komorę podwozia znajdującą się za zderzakiem. Ograniczona gwarancja może zostać unieważniona w przypadku samodzielnego wykonywania czynności serwisowych.

PRZYPOMNIENIE: UBEZPIECZENIE

Ubezpieczenie może nie obejmować wypadków związanych z tym produktem. Skontaktuj się ze swoim ubezpieczycielem lub agentem, aby dowiedzieć się, czy oferowane jest ubezpieczenie.

6.1 Czyszczenie

- A. Wyłącz kosiarkę.
- B. Do dokładnego czyszczenia części zewnętrznych używaj delikatnej szczoteczki lub szmatki, unikając żrących rozpuszczalników, takich jak alkohol, benzyna czy aceton. Substancje te mogą potencjalnie zaszkodzić zarówno estetyce, jak i wewnętrznym elementom kosiarki.

UWAGA

- Aby zapewnić bezproblemowe dokowanie, ważne jest regularne sprawdzanie i czyszczenie stacji ładującej z wszelkich zanieczyszczeń oraz błota.
- Aby zapewnić optymalną wydajność, upewnij się, że wszystkie elementy łączące stacji ładującej, przedłużacza i zasilacza są wolne od przeszkód.

Podwozie i tarcza tnąca

- A. Do czyszczenia podwozia i tarczy tnącej zaleca się użycie szczotki lub węża z wodą.
- B. Nie używaj myjki wysokociśnieniowej, ponieważ może to spowodować uszkodzenia.
- C. Dodatkowo upewnij się, że tarcza ostrzy obraca się gładko, a noże mają możliwość obracania się bez żadnych ograniczeń.

! OSTROŻNIE

- Woda pod wysokim ciśnieniem może przedostać się przez uszczelki i uszkodzić części elektroniczne oraz mechaniczne.

Koła

Trawa na kołach może pogorszyć wydajność kosiarki podczas wjeżdżania na wzniesienia. Usuń błoto i inne rzeczy znajdujące się w szczelinach szczotką, aby zapewnić dobrą przyczepność.

Czujnik deszczu

A. Raz w miesiącu sprawdzaj czujnik deszczu i upewnij się, że nie jest przykryty błotem, trawą lub innymi przedmiotami.

B. Umyj błoto, trawę lub inne przedmioty lub użyj miękkiej szczotki, aby je wyczyścić.

C. Po czyszczeniu osusz obszar czujnika, aby nie zareagował, jak w przypadku deszczu.

Kamera

Regularnie czyść kamerę, aby utrzymać ją w czystości.

! OSTRZEŻENIE

- Przed czyszczeniem upewnij się, że kosiarka jest wyłączona.
- Gdy kosiarka znajduje się do góry nogami, wyłącz ją.

6.2 Wymiana ostrzy

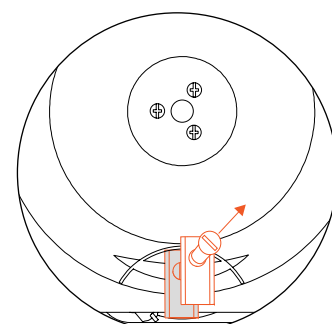
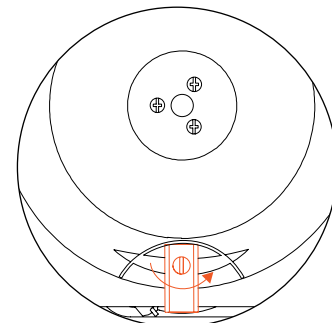
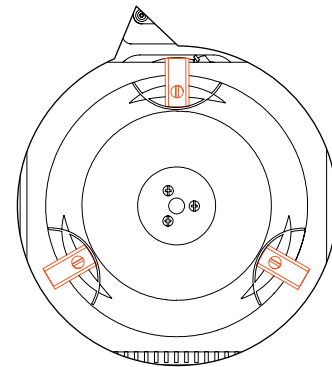
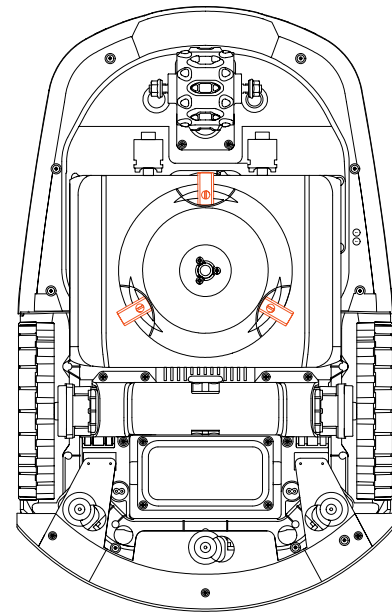
Aby poprawić wydajność i bezpieczeństwo koszenia, zaleca się wymianę śrub i ostrzy kosiarki co 1-2 miesiące, jeżeli jest często używana. Aby zapewnić bezpieczny system cięcia, należy jednocześnie wymienić wszystkie ostrza wraz z odpowiadającymi im śrubami. Informacje na temat części do użycia znajdziesz w rozdziale „Dane techniczne - akcesoria”.

! OSTRZEŻENIE

- Podczas sprawdzania oraz konserwacji ostrza należy nosić grube rękawice.
- NIE należy używać ponownie starych śrub. Może to doprowadzić do poważnych obrażeń.
- Zdecydowanie zalecamy stosowanie właściwych śrub i oryginalnych ostrzy, które zostały przez nas sprzedane. (NR 80201457).

Jak zmienić ostrza

- Wyłącz kosiarkę.
- Położ kosiarkę do góry nogami na nieskazitelnej, miękkiej powierzchni, aby zapobiec zarysowaniom.
- Aby poluzować śruby, użyj śrubokręta krzyżowego.
- Usuń śruby i ostrza.
- Zamocuj nowe ostrza i śruby (moment dokręcania: 1,0 + 0,2 Nm). Upewnij się, że ostrza mogą się swobodnie obracać.



UWAGA

- Wymień śruby ze standardowym momentem dokręcenia 1,0 1,0 + 0,2 Nm. Nieodpowiedni moment dokręcenia może spowodować możliwe do uniknięcia w innym wypadku problemów.

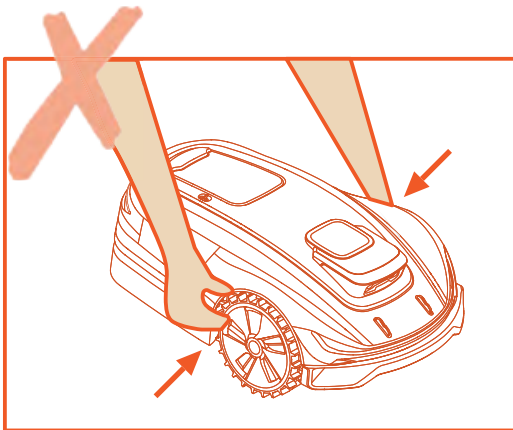
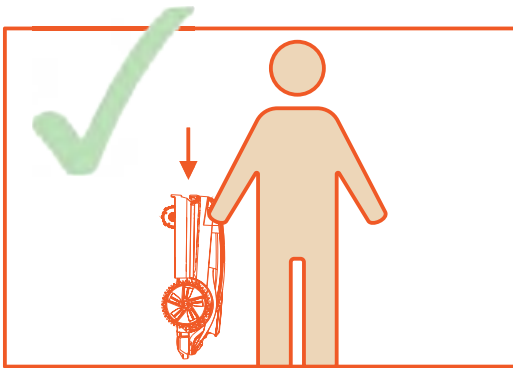
- Upewnij się, że kosiarka jest wyłączona i sprawdź, czy ostrza są prawidłowo założone. Sprawdź, czy nie wydaje nietypowych dźwięków lub nie drży.

6.3 Transport

Zadbaj o bezpieczeństwo kosiarki podczas transportu na większe odległości, wykorzystując oryginalne opakowanie. Przed podniesieniem, przeniesieniem lub transportem produktu należy się upewnić, że został wyłączony. Postępuj ostrożnie i unikaj gwałtownych ruchów, takich jak rzucanie czy silny nacisk. Nigdy nie podnoś ani przenoś urządzenia, gdy silnik pracuje.

Jak prawidłowo przenosić i podnosić kosiarkę

Kosiarkę należy przenosić za uchwyt. Trzymaj ostrza z dala od ciała.

**6.4 Akumulator**

A. Przed składowaniem należy całkowicie naładować akumulator, aby zapobiec nadmiernemu rozładowaniu i uszkodzeniu części elektrycznych.

B. Ograniczona gwarancja nie chroni przed uszkodzeniem akumulatora spowodowanego nadmiernym rozładowaniem.

C. NIE ładuj akumulatora, przy temperaturze poniżej 5 °C (41 °F) lub przekracza 40 °C (104 °F).

D. Jeżeli akumulator jest ładowany, gdy temperatura powietrza wynosi od 18 °C do 25 °C, może to wydłużyć jego żywotność i poprawić jego wydajność.

E. Akumulator osiąga najlepszą wydajność, gdy jest używany w normalnej temperaturze pokojowej (20 °C ± 5 °C).

UWAGA

- Żywotność baterii zależy od częstotliwości używania produktu i całkowitego czasu pracy. Jeżeli czas pracy na pełnym naładowaniu jest znacznie krótszy niż zwykle lub trawnik nie jest dobrze skoszony, rozważ wymianę akumulatora.

Jak zmienić akumulator

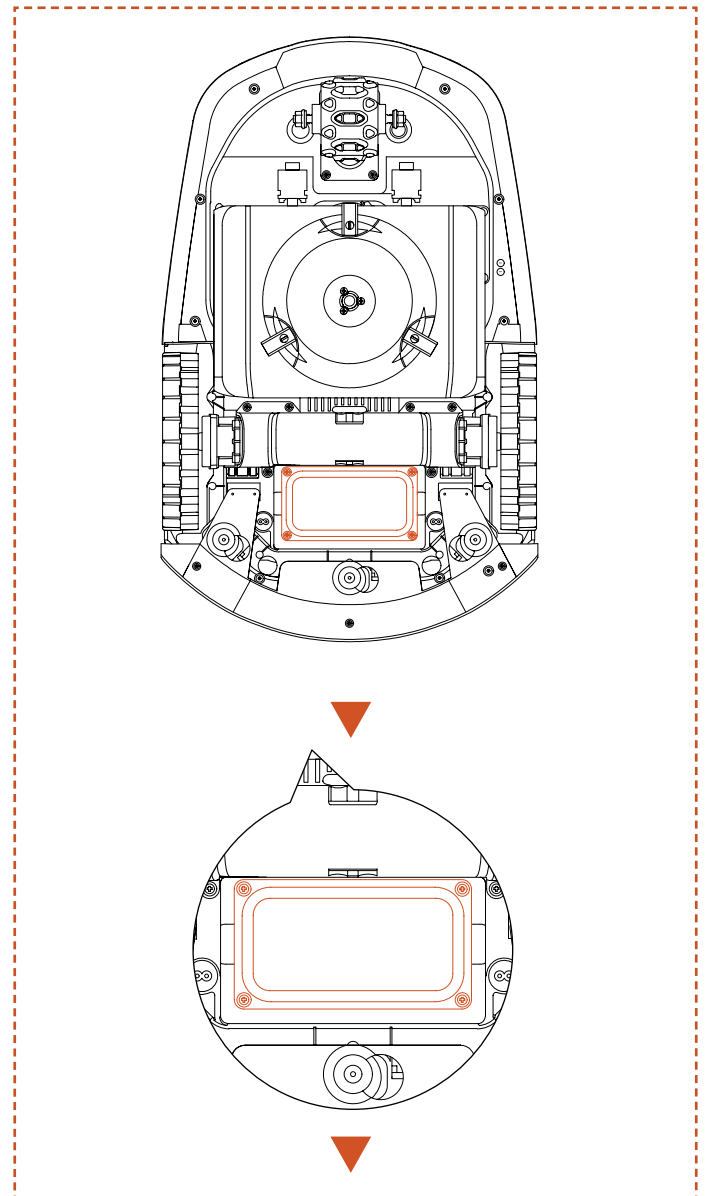
A. Wyłącz kosiarkę.

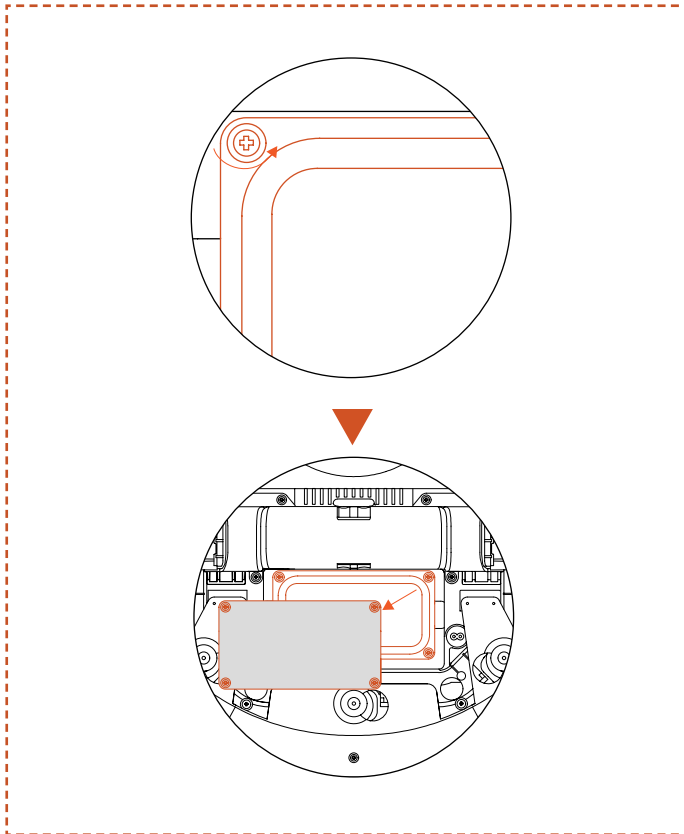
B. Połóż kosiarkę do góry nogami na nieskazitelnej, miękkiej powierzchni.

C. Poluzuj 4 śruby mocujące komorę akumulatora za pomocą śrubokręta krzyżakowego

D. Odłącz wtyczkę.

E. Wymij akumulator i wymień go na nowy.





! OSTRZEŻENIE

- Używaj wyłącznie oryginalnych akumulatorów lub tego samego modelu, jaki został określony przez firmę SUNSEEKER. Każda kosiarka zawiera jeden akumulator.
- W zależności od konkretnego modelu kosiarki pojemność akumulatora wynosi 5000 mAh lub 10000 mAh.
- Nie używaj baterii jednorazowych. Do ładowania akumulatora należy używać wyłącznie odłączanego zasilacza dostarczonego wraz z urządzeniem.
- Unikaj niszczenia i demontażu obudowy akumulatora. Unikaj kontaktu z metalowymi przedmiotami, aby zapobiec zwarciom. Unikaj źródeł ciepła, otwartego ognia oraz bezpośredniego światła słonecznego.
- Aby uzyskać więcej informacji na temat odpadów akumulatorowych i elektrycznych, skontaktuj się ze swoim punktem sprzedaży, lokalnym / regionalnym biurem gospodarki odpadami lub firmą odpowiedzialną za utylizację odpadów komunalnych.
- Komora akumulatora nie jest przeznaczona do częstego otwierania. Należy otwierać komorę akumulatora tylko w wypadku potrzeby wymiany na nowy.
- Akumulator zawiera elektrolity. Jeżeli wyciek elektrolitów wejdzie w kontakt ze skórą, natychmiast przemyj miejsce wodą z mydłem. W przypadku dostania się cieczy do oczu należy zwrócić się o pomoc lekarską, najpierw jak najszybciej przemyć oczy bez tarcia dużą ilością wody, kontynuując czynność przez co najmniej 15 minut.

6.5 Źródło zasilania

Odłącz źródło zasilania:

- A. Przed usunięciem blokady.
- B. Przed sprawdzeniem, czyszczeniem czy pracą przy urządzeniu.
- C. Po trafieniu w nieznamy przedmiot, aby oszacować poziom zniszczeń.
- D. Regularnie sprawdzaj przewód, wtyczkę, obudowę i inne części. W przypadku stwierdzenia jakichkolwiek uszkodzeń lub oznak starzenia należy natychmiast zaprzestać używania.

! OSTRZEŻENIE

- NIGDY nie używaj uszkodzonego zasilacza. Aby zapobiec potencjalnym zagrożeniom, w razie uszkodzenia przewód zasilający musi zostać wymieniony przez producenta, jego przedstawiciela serwisowego lub inną odpowiednio wykwalifikowaną osobę. Jeżeli przedłużacz jest uszkodzony, należy go wymienić na zatwierdzony przez SUNSEEKER 10-metrowy przewód.
- NIGDY nie dotykaj przedłużacza ani uszkodzonego przewodu przed odłączeniem go od źródła zasilania ani nie podłączaj go do źródła zasilania. Wadliwy przewód może spowodować spięcie z elementami elektrycznymi.
- Zasilacza nie należy używać z żadnym innym urządzeniem ani baterią, ponieważ zwiększa to ryzyko porażenia prądem, pożaru oraz obrażeń ciała. Jeżeli używasz akumulatorów innych niż oryginalne, bezpieczeństwo produktu nie może zostać zagwarantowane.
- NIE ładuj, jeżeli bateria cieknie.
- Trzymaj przedłużacz z dala od ruchomych, niebezpiecznych części, aby uniknąć uszkodzenia przewodów, które mogą prowadzić do zwarcia z elementami pod napięciem.

Zalecenia

Kosiarkę i/lub jej elementy peryferyjne podłączaj wyłącznie do obwodu zasilania zabezpieczonego wyłącznikiem różnicowoprądowym (RCD) o prądzie wyzwalającym nie większym niż 30 mA.

6.6 Składowanie

- A. Przed składowaniem kosiarki należy upewnić się, że jest w pełni naładowana i wyłączona, aby zapobiec nadmiernemu rozładowaniu, które może skutkować trwałymi uszkodzeniami.
- B. Przechowuj w suchym, chłodnym pomieszczeniu. Narażenie na działanie promieni słonecznych i ekstremalnych temperatur (zarówno gorących, jak i zimnych) przyspieszy proces starzenia się podzespołów i może spowodować trwałe uszkodzenie.
- C. Trzymaj środki chemiczne i źródła ciepła (piece, grzejniki itp.) z dala od kosiarki, stacji ładującej i źródła zasilania.
- D. Zasilacz należy przechowywać w miejscu o dobrej wentylacji i chronić przed wilgocią.

OSTRZEŻENIE

- Jeżeli przewidywana jest burza, odłącz zasilacz od gniazdka elektrycznego. Odetnij wszystkie przewody i kable podłączone do stacji ładowania. Podłącz ponownie, kiedy minie szansa wystąpienia burzy z błyskawicami.

Dodatkowe wymagania dotyczące składowania w zimie

Kosiarka:

- A. Przed przechowywaniem kosiarkę należy dokładnie wyczyścić.
- B. Sprawdź elementy podlegające zużyciu, takie jak ostrza.
- C. Napraw je lub wymień, jeżeli są w złym stanie.
- D. Kosiarkę należy przechowywać w suchym i wolnym od mrozu miejscu, stojącą na wszystkich kołach, najlepiej w oryginalnym opakowaniu.

Stacja ładująca:

- A. Odłącz od stacji ładującej i wypnij zasilacz z gniazdka elektrycznego.
- B. Trzymaj stację ładującą z dala od bezpośredniego światła słonecznego i schowaj do środka.

6.7 Recykling i utylizacja po zużyciu

Produkt NIE stanowi odpadu domowego. Aby uzyskać informacje na temat recyklingu, skontaktuj się z lokalną władzą, punktem sprzedaży lub firmą odpowiedzialną za odpady komunalne.

OSTRZEŻENIE

- Produktu nie należy wyrzucać na wysypisko śmieci, spalać ani łączyć ze zwykłymi odpadami komunalnymi. Elementy elektryczne mogą spowodować niebezpieczeństwo lub poważne uszkodzenia.

7. Często zadawane pytania i rozwiązywanie problemów

7.1 Komunikat błędu

Kod błędu	Znaczenie	Możliwa przyczyna
E1	Urządzenie poza strefą roboczą	Jak rozwiązać problem „Urządzenie poza strefą roboczą”?
E2	Zablokowany silnik koła	Zablokowany silnik koła
E3	błąd silnika cięcia	Zablokowany silnik cięcia
E4	Zablokowany zderzak urządzenia	1. Zbyt wiele przeszkód 2. Upewnij się, że zderzak jest w odpowiednim miejscu.
E5	Urządzenie zostało podniesione	Upewnij się, że urządzenie zostało podniesione
E6	Urządzenie przechylone	Upewnij się, że urządzenie zostało umieszczone na nierównej powierzchni.
E7	Czujnik kąta jest często aktywowany	Upewnij się, że urządzenie zostało umieszczone na nierównej powierzchni.
E8	Nieudane podłączenie do stacji ładującej podczas ładowania	Jak rozwiązać problem: „Nieudane podłączenie do stacji ładującej podczas ładowania”?
E9	Urządzenie zablokowane	1. Upewnij się, czy wokół urządzenia nie ma zbyt wielu przeszkód 2. Urządzenie wjechało w wąską przestrzeń i nie potrafi się wydostać 3. Kosiarka się ślizga
E10	Nieudana aktualizacja	1. Upewnij się, że sygnał Wi-Fi jest słaby 2. Upewnij się, że urządzenie jest ładowane na stacji ładującej
E12	Błąd napięcia akumulatora	1. Umieść maszynę na stacji ładującej, aby sprawdzić, czy można ją w pełni naładować 2. Nadmiar prądu ładowania 3. Ładowanie w czasie 4. Zbyt wysokie lub niskie napięcie akumulatora
E13	Błąd ładowania	Zepsuta ładowarka
E14	Bieżący obszar mapy jest zbyt duży i przekracza maksymalny obszar roboczy obsługiwany przez robota	Stwórz nową mapę w ramach nominalnego zakresu możliwości produktu
E15	Tylny motor koła / Problem z motorem kierownicy	Tylny motor koła / Zablokowany motor kierownicy
E16	Błąd silnik podnoszenia	Zablokowany silnik podnoszenia
E17	Nie znaleziono stacji ładowania	Jak rozwiązać problem: „Nieudane podłączenie do stacji ładującej podczas ładowania”?
E18	Niski poziom naładowania	Urządzenie może nie być w stanie wrócić do stacji ładującej w celu normalnego naładowania z powodu jakiegoś błędu. Należy ręcznie przenieść go do stacji ładującej w celu naładowania
E19	Połączenie nieudane	1. Na tyle urządzenia znajdują się 4 kody QR; podczas dodawania maszyny należy wybrać pierwszy z nich. 2. Upewnij się, czy Bluetooth w telefonie jest włączony i czy znajduje się w promieniu 1 metra od urządzenia. 3. Czy wprowadzono prawidłowe hasło startowe, które domyślnie wynosi 0000 4. Czy Wi-Fi ma częstotliwość 2,4 GHz? 5. Czy hasło do Wi-Fi jest prawidłowe?

Kod błędu	Znaczenie	Możliwa przyczyna
E21	Inicjowanie RTK nieudane	<ol style="list-style-type: none"> 1. Sprawdź, czy stacja bazowa jest prawidłowo zainstalowana i czy na drodze nie ma żadnych przeszkód. 2. Sprawdź, czy urządzenie nie jest zablokowane 3. Sprawdź, czy nie ma dużych przeszkód blokujących sygnał pomiędzy stacją bazową a urządzeniem
E22	Błąd przedniej kamery	Sprawdź, czy kamera nie jest zasłonięta
E23	Błąd pustej mapy	Stwórz mapę przed rozpoczęciem użytku
E24	Utracono sygnał bazy RTK	<ol style="list-style-type: none"> 1. Sprawdź, czy stacja bazowa jest naładowana. 2. Sprawdź, czy stacja bazowa jest odpowiednio zainstalowana Jak zainstalować stację RTK 3. Sprawdź, czy między stacją bazową a urządzeniem znajduje się jakaś przeszkoda 4. Spróbuj połączyć ponownie stację bazową
E25	Mapowanie nieudane	<ol style="list-style-type: none"> 1. Upewnij się, że mapa jest zamknięta 2. Upewnij się, że urządzenie posiada dobre połączenie Wi-Fi
E26	Kalibracja RTK nieudana	Jak rozwiązać problem: „Kalibracja RTK nieudana”?
EE	Potrzebne wsparcie sprzedawcy	<ol style="list-style-type: none"> 1. Słabe połączenie płyty akumulatora 2. Błąd płyty wyświetlacza 3. Błąd płyty krańcowej 4. Nieprawidłowość płyty wielofunkcyjnej 5. Błąd sprzętu 6. Inny błąd
BP	Błąd temperatury akumulatora	<ol style="list-style-type: none"> 1. Upewnij się, że temperatura otoczenia nie jest zbyt wysoka 2. Upewnij się, że temperatura otoczenia nie jest zbyt niska
BLOKADA	Zablokowano. Spróbuj ponownie za 10 min.	<ol style="list-style-type: none"> 1. Wprowadź poprawne hasło 2. Jeżeli zapomnisz hasła, możesz je zresetować do 0000 poprzez przywrócenie ustawień fabrycznych aplikacją 3. Jeżeli aplikacja mobilna nie jest podłączona do urządzenia, skontaktuj się z działem obsługi po-zakupowej
STOP	Ręczny stop	Naciśnięto przycisk STOP

Instrukcje dotyczące postępowania w przypadku nietypowych wibracji:

- A. Wyłącz urządzenie.
- B. Obróć maszynę o 180 stopni.
- C. Sprawdź stan ostrzy pod kątem uszkodzeń lub nieprawidłowego działania.
- D. Zaleca się jednoczesną wymianę wszystkich trzech ostrzy.
- E. Odwróć maszynę, aby rozpocząć pracę.

7.2 Rozwiązywanie problemów

Jeżeli napotkasz jakiegokolwiek problemy związane z produktem lub aplikacją, typowe problemy i pytania, zapoznaj się z artykułami FAQ na oficjalnej stronie internetowej Sunseeker (<https://support.sunseeker-elite.com>) lub w sekcji „Pomoc i opinie” aplikacji.

8. Ważna informacja

8.1 Prywatność danych

Przetwarzanie danych osobowych wewnątrz Platformy X

• Kto i dlaczego?

Kiedy rejestrujesz się i korzystasz z Platformy X firmy Sunseeker, Sunseeker (lub „my”), jako administrator, będzie przetwarzać twoje dane osobowe. Będziemy przetwarzać twoje dane osobowe w celu:

1. Zapewnienia połączenia z Platformą X lub złożenia oferty takiej usługi. Podstawą prawną stanowi fakt, że przetwarzanie jest niezbędne do wykonania umowy, którą z nami zawarłeś lub podjęcia działań przed zawarciem z nami umowy.
2. Dalszy rozwój i ulepszanie naszych produktów oraz usług. Podstawą prawną jest nasz uzasadniony interes polegający na rozwijaniu i ulepszaniu naszych produktów oraz usług.
3. Zezwól na łączność Platformy X (Internet of Things): korzystaj z integracji partnerów (na przykład inteligentnych asystentów, w tym urządzeń obsługiwanych głosowo); korzystaj z platform łączności w celu łączenia Platformy X z urządzeniami, aplikacjami i usługami stron trzecich; i zbuduj własną integrację inteligentnego domu. Podstawą prawną stanowi fakt, że przetwarzanie jest niezbędne do wykonania umowy, którą z nami zawarłeś.
4. Przekaż odpowiednie informacje dotyczące korzystania z Platformy X. Podstawą prawną stanowi nasz uzasadniony interes polegający na informowaniu cię o konkretnych produktach i usługach oraz ich funkcjach.
5. Zapewnimy wsparcie i rozwiązywanie problemów związanych z Platformą X. Podstawą prawną stanowi fakt, że przetwarzanie jest niezbędne do wykonania umowy, którą z nami zawarłeś.

Jeżeli wyraziłeś zgodę (wówczas podstawą prawną jest twoja zgoda) możemy przetwarzać twoje dane osobowe także w następujących celach:

1. Do wysyłania spersonalizowanych reklam i biuletynów na temat naszych produktów oraz usług.
2. Do wysyłania ankiet dla klientów i analizy podanych informacji, zgodnie ze szczegółami zawartymi w takiej komunikacji.

Twoje dane będą przetwarzane tak długo, jak będzie to potrzebne Sunseeker do realizacji ww. celów, jednak w żadnym wypadku nie dłużej, niż pozwalają na to obowiązujące przepisy prawa.

• Jakie dane osobowe przetwarzamy?

Możemy przetwarzać następujące dane osobowe:

1. Dane osobowe: imię i nazwisko, narodowość, preferencje językowe;
2. Dane kontaktowe: adres e-mail, adres pocztowy;
3. Dane konta: wiek konta, hasło, numer konta;
4. Inne dane związane z twoją Platformą X: nazwa kosiarki, nazwy parowań, działania aktywowane wykorzystaniem integracji partnerskich, informacje o urządzeniu.

• Wykorzystanie danych lokalizacyjnych

Niektóre z naszych usług działają tylko wtedy, gdy możemy określić lokalizację twojej kosiarki (np. wyświetlanie pogody). Kiedy udostępniasz nam lokalizację swojej kosiarki, dane są przesyłane stronom trzecim w formie pseudonimizowanej w celu świadczenia odpowiedniej usługi (np. w celu zaparkowania kosiarki na wypadek ulewnego deszczu).

8.2 Ograniczona gwarancja

Ograniczona gwarancja

Oferujemy 2-letnią gwarancję. Przed przystąpieniem do zgłaszania roszczeń gwarancyjnych zdecydowanie zalecamy zapoznanie się z sekcją Często zadawane pytania i rozwiązywanie problemów w instrukcji obsługi. Nasza oddana obsługa klienta również jest gotowa pomóc. Aby wszcząć roszczenie gwarancyjne, należy przedstawić dowód zakupu, w tym ważny paragon zawierający datę i miejsce zakupu.

Nasza gwarancja nie obejmuje:

Części podlegających normalnemu zużyciu, takie jak paliki uziemiające, tarcze tnące, akumulator.

8.3 Zastrzeżenia

Zapewniamy klientom obsługę pozakupową, z wyłączeniem następujących okoliczności:

1. Awarii i uszkodzeń spowodowanych czynnikami niezwiązanymi z produkcją, w tym między innymi błędami popełnionymi przez użytkownika.
2. Uszkodzeń spowodowanych nieautoryzowaną modyfikacją, demontażem lub otwarciem obudowy niezgodnym z oficjalnymi instrukcjami lub wytycznymi.
3. Uszkodzeń spowodowanych niewłaściwą instalacją, nieprawidłowym użytkowaniem lub obsługą niezgodną z oficjalnymi instrukcjami lub wytycznymi.
4. Uszkodzeń spowodowanych przez nieautoryzowanego dostawcę usług.
5. Uszkodzeń spowodowanych nieautoryzowaną modyfikacją obwodów i/lub niedopasowaniem oraz niewłaściwym użyciem akumulatora czy ładowarki.
6. Uszkodzeń spowodowanych przez użytkowników, którzy nie przestrzegają instrukcji i zaleceń w niej zawartych.
7. Uszkodzeń spowodowanych pracą w złych warunkach dotyczących trawnika (tj. duże obszary kałuż w przypadku nieprawidłowego wyznaczenia obszarów wzbronionych, miejsca ze znaczną ilością kamieni pokrywających powierzchnię trawnika itp.)
8. Uszkodzeń spowodowanych użytkowaniem produktu w środowiskach z zakłóceniami elektromagnetycznymi, w tym na terenach górniczych lub w pobliżu wież radiowych, przewodów wysokiego napięcia, podstacji itp.
9. Uszkodzeń spowodowanych użytkowaniem produktu w środowiskach narażonych na zakłócenia ze strony innych urządzeń bezprzewodowych, takich jak nadajniki, łącza wideo, sygnały Wi-Fi itp.

10. Uszkodzeń spowodowanych problemami z niezawodnością lub kompatybilnością w przypadku korzystania z nieautoryzowanych części stron trzecich.

11. Uszkodzeń spowodowanych użytkowaniem urządzenia ze słabo naładowanym lub uszkodzonym akumulatorem.

12. Uszkodzeń spowodowanych nieprzewidywalnymi czynnikami, takimi jak kolizje samochodów, ataki dzikich zwierząt, powódzie itp. Treść ta może ulec zmianie bez wcześniejszego powiadomienia.

Oświadczenie FCC

Urządzenie jest zgodne z częścią 15 przepisów FCC. Operacja podlega następującym dwóm warunkom: (1) urządzenie nie może powodować szkodliwych zakłóceń oraz (2) to urządzenie musi akceptować wszelkie odbierane zakłócenia, w tym zakłócenia, które mogą powodować niepożądane działania. Zmiany lub modyfikacje, które nie zostały wyraźnie zatwierdzone przez stronę odpowiedzialną za zgodność, mogą unieważnić uprawnienia użytkownika do obsługi sprzętu.

UWAGA

Urządzenie zostało przetestowane i uznane za zgodne z ograniczeniami dla urządzeń cyfrowych klasy B, zgodnie z częścią 15 przepisów FCC. Ograniczenia te mają na celu zapewnienie rozsądnej ochrony przed szkodliwymi zakłóceniami w instalacjach domowych. Urządzenie korzysta i może emitować energię o częstotliwości radiowej, a jeśli nie zostanie zainstalowane lub używane zgodnie z instrukcją, może powodować szkodliwe zakłócenia w komunikacji radiowej. Nie ma jednak gwarancji, że w konkretnej instalacji nie wystąpią zakłócenia. Jeśli urządzenie powoduje szkodliwe zakłócenia w odbiorze sygnału radiowego lub telewizyjnego, co można stwierdzić poprzez wyłączenie i włączenie urządzenia, zachęca się użytkownika do podjęcia próby skorygowania zakłóceń za pomocą jednego lub kilku z następujących sposobów:

- Zmień orientację lub lokalizację anteny.
- Zwiększ odległość między sprzętem a odbiornikiem.
- Podłącz urządzenie do gniazdka w innym obwodzie niż ten, do którego podłączony jest odbiornik.
- Skonsultuj się ze sprzedawcą lub doświadczonym technikiem radiowo-telewizyjnym.
- Aby spełnić wymagania FCC dotyczące ekspozycji na fale radiowe, podczas działania urządzenia należy zachować odległość co najmniej 20 cm pomiędzy anteną produktu a ludźmi. Aby zapewnić zgodność, nie zaleca się wykonywania operacji w mniejszej odległości.

OSTRZEŻENIE dotyczące ogniw guzikowych:

a) Wyjmij i natychmiast poddaj recyklingowi lub utylizacji zużyte baterie zgodnie z lokalnymi przepisami, a także trzymaj poza zasięgiem dzieci.

b) NIE wyrzucaj baterii do śmieci domowych ani nie poddawaj spalaniu.

c) Nawet zużyte baterie mogą spowodować poważne obrażenia lub śmierć.

d) Zadzwoń do lokalnego centrum kontroli zatruc, aby uzyskać informacje na temat leczenia.

e) Typ akumulatora: CR2032.

f) Napięcie nominalne: 3,0 V DC.

g) Baterii jednorazowych nie należy ładować ponownie.

h) Nie należy rozładowywać na siłę, ładować, demontować, podgrzewać powyżej (temperatura określona przez producenta) ani spalać. Może to spowodować obrażenia w wyniku odpowietrzenia, wycieku lub eksplozji skutkującej oparzeniami chemicznymi.

i) Produkt zawiera niewymienne ogniwo guzikowe.



Deklaracja zgodności WE

My,
Zhejiang Sunseeker Industrial Co., Ltd.
Chiny, prowincja Zhejiang 321000, miasto Jinhua, Park Przemysłowy Jiangdong, ul. Jinde 988. CHIŃSKA REPUBLIKA LUDOWA
Oświadczam i przyjmuję na siebie odpowiedzialność, że produkt:

Nazwa handlowa: SUNSEEKER

Nazwa produktu: Automatyczna kosiarka

Model: RMX1600L20V, RMX2000L20V, RMX2500L20V, RMX1602N20V, RMX2002N20V, RMX2502N20V

Przedmiot deklaracji opisany powyżej jest zgodny z następującymi dyrektywami UE:

1. Dyrektywa w sprawie urządzeń radiowych (2014/53/UE)
2. Dyrektywa maszynowa (2006/42/WE)
3. Dyrektywa RoHS (2011/65/UE) i dyrektywa zmieniająca (UE) 2015/863)
4. Dyrektywa w sprawie hałasu (załącznik III do 2000/14/WE zmieniony przez 2005/ 88/WE)
- Poziom ciśnienia akustycznego LpA: 52 dB (A), niepewność mocy akustycznej KpA: 3 dB (A)
- Deklarowany gwarantowany poziom mocy akustycznej: 60 dB (A), niepewność mocy akustycznej KWA: 3 dB (A)

Zgodność produktu z tymi dyrektywami została oceniona poprzez wykazanie zgodności z następującymi zharmonizowanymi normami i/lub specyfikacjami technicznymi:

EN 50636-2-107: 2015 + A1 : 2018 + A2: 2020 + A3: 2021

EN 60335-1: 2012 + A11: 2014 + A13: 2017 + A1: 2019 + A2: 2019 + A14: 2019 + A15: 2021

EN IEC 55014-1:2021

EN IEC 55014-2:2021

EN IEC 61000-3-2:2019+A1:2021

EN 61000-3-3:2013+A1:2019+A2:2021

EN 301 489-1 V2.2.3

EN 301 489-3 V2.3.2

EN 301 489-17 V3.2.4

EN 301 489-19 V2.2.1

EN 301 489-52 V1.2.1

EN 301 511 V12.5.1

EN 301 908-1 V15.2.1

EN 301 908-13 V13.2.1

EN 303 413 V1.2.1

EN 300 220-2 V3.1.1

EN 300 328 V2.2.2

EN 62311:2008

EN IEC 62311:2020

EN 62321-1:2013

EN IEC 62321-2:2021

EN 62321-3-1:2014

EN 62321-8:2017

EN 62321-4:2014 /A1:2017

EN 62321-5:2014

EN 62321-7-1:2015

EN 62321-7-2:2017

EN 62321-6:2015

EN 62321-8:2017

EN ISO 11094:1991

EN ISO 3744:1995

EN ISO 3744:2010

Informacje o ekspozycji na promieniowanie radiowe

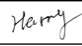
Urządzenie zostało przetestowane i spełnia obowiązujące ograniczenia dotyczące narażenia na promieniowanie radiowe (RF).

Urządzenie musi zostać zainstalowane i obsługiwane zgodnie z dostarczonymi instrukcjami, a antena(y) używana z nadajnikiem zainstalowana w taki sposób, aby zapewnić odległość separacji wynoszącą co najmniej 20 cm od ludzi, a także nie może być umieszczana w pobliżu ani używana w połączeniu z dowolną inną anteną lub nadajnikiem.

Podpisano za i w imieniu: Zhejiang Sunseeker Industrial Co., Ltd.

Miejsce: Zhejiang, Jinhua CHINY Data: 09-07-2024

Imię: Harry Ran Tytuł: Główny inżynier

Podpis: 

Tabulka Obsah

1. Bezpečnost a Předpisy	244
1.1 Obecné	244
1.2 Obecné Bezpečnostní Pokyny	244
1.3 Bezpečnostní Pokyny pro Instalaci.....	245
1.4 Bezpečnostní Pokyny pro Každodenní Provoz	246
1.5 Bezpečnostní Pokyny pro Údržbu.....	246
1.6 Bezpečnost Baterií	246
2. Symboly a Dekály	246
3. Obsah a Specifikace	247
3.1 Obsah Krabice.....	247
3.2 Části a Funkce.....	248
4. Instalace.....	250
4.1 Přípravy	251
4.2 Instalace Nabíjecí Stanice	251
4.3 Instalace RTK Základní Stanice.....	251
4.4 Nabíjení a Aktivace Sekačky	252
4.5 Připojení k Aplikaci	253
5. Každodenní Provoz	254
5.1 Displej a Ovládání na Sekačce.....	254
5.2 Změna PIN kódu	254
5.3 IoT	255
5.4 Vyhnout se překážkám	255
6. Údržba	256
6.1 Čištění	256
6.2 Výměna čepelí.....	257
6.3 Přeprava.....	258
6.4 Baterie	258
6.5 Napájení	259
6.6 Skladování.....	259
6.7 Recyklace a Likvidace na Konci Životnosti.....	260
7. FAQ a Řešení Problémů	261
7.1 Chybová zpráva.....	261
7.2 Řešení problémů.....	262
8. Důležité Informace	263
8.1 Ochrana Dat.....	263
8.2 Omezená Záruka.....	263
8.3 Prohlášení o Zřeknutí se Odpovědnosti.....	263

1. Bezpečnost a Předpisy

1.1 Obecné

DŮLEŽITÉ
PŘEČTĚTE SI POZORNĚ PŘED POUŽITÍM
SCHOVEJTE PRO BUDOUCÍ POUŽITÍ

Předpokládané Použití

Tento zahradní výrobek je určen pouze pro sekání trávníku, automatické stříhání zahradní trávy kdykoliv během dne. Jakékoliv použití mimo určený účel může představovat nebezpečí, potenciálně způsobit újmu na zdraví jednotlivců a/nebo poškození majetku. Je nezbytné přísně dodržovat stanovené pokyny, aby byla zajištěna bezpečnost a předešlo se nehodám.

Nepředpokládané Použití

Tento zahradní produkt není určen k používání dětmi nebo osobami se sníženými fyzickými, sensorickými nebo mentálními schopnostmi, nebo bez zkušeností a znalostí, pokud nebyly pod dohledem nebo nebyly pokynuty o používání produktu osobou odpovědnou za jejich bezpečnost.

Nesprávné použití zahrnuje, ale není omezeno na, přepravu lidí, dětí nebo zvířat na stroji; být přepravován strojem; používání stroje k tahání nebo tlačení nákladů; a používání stroje k sekání ne-travnaté vegetace.

Zbývající rizika - Při údržbě nebo výměně čepelí noste ochranné rukavice a ochranné brýle, aby nedošlo k zranění.

Neprodlužujte kabel mezi napájecí jednotkou a nabíjecí stanicí.



VAROVÁNÍ

- Nedotýkejte se nebezpečných pohybujících se částí, dokud se zcela nezastaví.
- Udržujte napájecí kabel, zdroj napájení, prodlužovací kabel a všechny ostatní elektrické kabely, které nepatří k produktu, mimo prostor řezání, aby byly v bezpečné vzdálenosti od nebezpečných pohybujících se částí a aby nedošlo k poškození kabelů, které mohou přijít do styku s živými částmi. Existuje riziko zranění nebo smrti operátora nebo okolí, pokud nejsou dodržovány pokyny v manuálu.
- Automatická sekačka na trávu! Držte se od stroje dál! Děti musí být pod dohledem!
- Uchovejte všechna varování a pokyny pro budoucí odkaz.
- přečtěte si všechna bezpečnostní varování, pokyny, ilustrace a specifikace dodané s tímto produktem.
- Nedodržení všech níže uvedených instrukcí může vést k elektrickému úrazu, požáru a/nebo vážnému zranění.

A. Nepoužívejte stroje v explozivních atmosférách, jako jsou prostředí s hořlavými kapalinami, plyny nebo prachem. Stroje vytvářejí jiskry, které mohou zapálit prach nebo výpary.

B. přečtěte si instrukce pozorně. Seznamte se s ovládacími prvky a správným používáním stroje.

C. Nikdy nedovolte osobám neznalým těchto instrukcí nebo dětem používat stroj. Místní předpisy mohou omezovat věk operátora.

D. Operátor nebo uživatel je zodpovědný za nehody nebo nebezpečí, které mohou nastat ostatním osobám nebo jejich majetku.

Elektrická bezpečnost

A. Zástrčky musí odpovídat zásuvce. Nikdy nemodifikujte zástrčku žádným způsobem. Nepoužívejte žádné nabíjecí zástrčky s uzemněnými zařízeními. Nemodifikované zástrčky a odpovídající zásuvky snižují riziko elektrického šoku.

B. Vyhněte se tělesnému kontaktu se zeměnými nebo uzemněnými povrchy, jako jsou trubky, radiátory, sporáky a ledničky. Existuje zvýšené riziko elektrického šoku, pokud je vaše tělo uzemněno nebo uzemněno.

C. Nezneužívejte napájecí kabely. Nikdy nepoužívejte napájecí kabel k nošení, tahání nebo odpojování zařízení. Držte napájecí kabely daleko od tepla, oleje, ostrých hran nebo pohyblivých částí. Poškozené nebo zamotané napájecí kabely zvyšují riziko elektrického šoku.

D. Pokud je nezbytné používat zařízení na síťový provoz v vlhkém prostředí, použijte zásobník chráněný proudovým chráničem (RCD). Použití RCD snižuje riziko elektrického šoku.

E. Zajistěte správnou instalaci automatického systému vymezení hranic podle návodu.

F. Pravidelně kontrolujte oblast, kde má být stroj používán, a odstraňte všechny kameny, klacky, dráty, kosti a další překážky.

G. Zkontrolujte pravidelně čepel, šrouby čepelí a montáž řezačky na opotřebení nebo poškození. Vyměňte opotřebené nebo poškozené čepel a šrouby v sadách, aby se zachovala rovnováha.

H. U vícevřetenových strojů buďte opatrní, protože otáčení jedné čepel může způsobit otáčení ostatních čepelí.

Osobní bezpečnost

A. Nedovolte osobám neznalým stroje nebo těchto instrukcí obsluhovat stroj. Stroje jsou nebezpečné v rukou nevyškolených uživatelů.

B. Buďte ostražití, sledujte, co děláte, a při obsluze stroje používejte zdravý rozum. Nepoužívejte stroj, když jste unavení nebo pod vlivem drog, alkoholu nebo léků. Moment nepozornosti při obsluze stroje může vést k vážnému osobnímu zranění.

1.2 Obecné Bezpečnostní Pokyny

Bezpečnost pracovního prostoru

C. Před obsluhou stroje odstraňte jakýkoli nastavovací klíč nebo klíč. Klíč nebo klíč ponechaný připojený k otáčející se části stroje může vést k osobnímu zranění.

D. Při ručním ovládní stroje si vždy udržujte správné postavení a rovnováhu. To umožňuje lepší kontrolu stroje v neočekávaných situacích.

E. Nedovolte, aby vám zvyklost z častého používání strojů umožnila stát se lhostejným a ignorovat zásady bezpečnosti strojů. Nedbalý čin může způsobit vážné zranění během zlomku sekundy.

Použití a péče o stroj

A. Před prováděním úprav, výměnou příslušenství nebo uskladněním odpojte zástrčku od zdroje napájení a/nebo vyjměte bateriový blok (pokud je vyjímatelný) ze stroje nebo jiných zařízení. Taková preventivní bezpečnostní opatření snižují riziko neúmyslného spuštění.

B. Udržujte stroje a příslušenství. Zkontrolujte na nesprávné zarovnání nebo svázání pohyblivých částí, zlomení dílů a jakékoliv další stavy, které mohou ovlivnit provoz stroje. Pokud je poškozen, nechejte stroj před použitím opravit. Mnoho nehod způsobují špatně udržované stroje a příslušenství.

C. Používejte stroj a příslušenství v souladu s těmito instrukcemi, s ohledem na pracovní podmínky a prováděné práce. Použití stroje pro operace odlišné od zamýšlených může vést k nebezpečné situaci.

D. Nikdy neprovozujte stroj s vadnými ochrannými kryty nebo bez bezpečnostních zařízení.

E. Nepřibližujte ruce nebo nohy k otáčejícím se částem. Držte se dál od výfukového otvoru vždy.

F. Nikdy nepřeházejte ani nezvedejte stroj, pokud motor běží.

G. Aktivujte zámek zařízení/nastavte na „LOCK“
- před odstraněním závady;
- Před zkontrolováním, čištěním nebo prací na stroji.

H. Nestavte stroj do režimu bez dozoru, pokud víte, že se v okolí nacházejí domácí zvířata, děti nebo lidé.

Servis

A. Nechtě je váš stroj servisován kvalifikovaným opravářem s použitím pouze identických náhradních dílů. Tím zajistíte, že bezpečnost stroje bude zachována.

B. Udržujte všechny matice, šrouby a vruty utažené, aby byl stroj v bezpečném provozním stavu.

C. Pravidelně kontrolujte sběrač trávy na opotřebení nebo poškození.

D. Vyměňte opotřebované nebo poškozené díly kvůli bezpečnosti.

E. Ujistěte se, že jsou vyměněny správné čepele.

F. Ujistěte se, že jsou baterie nabíjeny správnou nabíječkou doporučenou výrobcem. Nesprávné použití může vést k elektrickému šoku, přehřátí nebo úniku korozivní kapaliny z baterie.

G. V případě úniku elektrolytu vypláchněte vodou/neutralizačním činidlem, v případě kontaktu s očima vyhledejte lékařskou pomoc.

H. Servis stroje by měl být prováděn dle pokynů výrobce.

Péče o nářadí na BATERIE

A. Nabíjejte pouze nabíječkou určenou výrobcem. Nabíječka vhodná pro jeden typ BATERIE může představovat riziko požáru, pokud je použita s jinou BATERIÍ.

B. Používejte pouze elektrické nářadí s vyhrazenými BATERIOVÝMI balíčky. Použití jiných BATERIÍ může představovat riziko zranění a požáru.

C. Když BATERIOVÝ balíček není používán, uchovávejte jej daleko od jiných kovových předmětů, jako jsou sponky, mince, klíče, hřebíky, šrouby nebo jiné malé kovové předměty, které mohou spojit jeden pól s druhým. Zkratování terminálů BATERIE může způsobit popáleniny nebo požár.

D. Za zneužívání může být z BATERIE vystříknuta kapalina; vyhněte se kontaktu. Pokud dojde k náhodnému kontaktu, opláchněte vodou. Pokud kapalina přijde do kontaktu s očima, vyhledejte navíc lékařskou pomoc. Kapalina vystříknutá z BATERIE může způsobit podráždění nebo popáleniny.

E. Nepoužívejte BATERIOVÝ balíček nebo nářadí, které je poškozené nebo upravené. Poškozené nebo upravené baterie mohou vykazovat nepředvídatelné chování vedoucí k požáru, VÝBUCHU nebo riziku zranění.

F. Nevystavujte BATERIOVÝ balíček nebo nářadí ohni nebo nadměrné teplotě. Vystavení ohni nebo teplotě nad 130 °C může způsobit výbuch.

G. Dodržujte všechny pokyny k nabíjení a nenabíjejte BATERIOVÝ balíček nebo nářadí mimo teplotní rozsah specifikovaný v pokynech. Nabíjení nesprávně nebo při teplotách mimo specifikovaný rozsah může poškodit BATERII a zvýšit riziko požáru.

1.3 Bezpečnostní Pokyny pro Instalaci

A. Nenainstalujte nabíjecí stanici, včetně jakéhokoli příslušenství, na místo, které je pod nebo do 24 palců od hořlavého materiálu. V případě poruchy může dojít k ohřívání nabíjecí stanice a napájecího zdroje a vzniknout potenciální riziko požáru.

B. Neumísťujte napájecí zdroj na místo, kde by mohl být vystaven riziku vody. Nekládejte napájecí zdroj na zem.

C. Neobalujte napájecí zdroj. Kondenzovaná voda může poškodit napájecí zdroj a zvýšit riziko elektrického úrazu.

D. Platí pro USA/Kanadu. Pokud je napájecí zdroj instalován venku: Riziko elektrického úrazu. Instalujte pouze na krytou zásuvku třídy A GFCI (RCD) s odolným krytem a přístupem k vložení nebo odstranění krytu zástrčky.

E. Nenainstalujte nabíjecí stanici na místo s rizikem stojaté vody.

1.4 Bezpečnostní Pokyny pro Každodenní Provoz

- A. Držte ruce a nohy daleko od otáčejících se čepelí. Nedávejte ruce ani nohy blízko nebo pod produkt, když je zapnutý.
- B. Používejte parkovací režim nebo nastavte produkt na OFF, když jsou v pracovní oblasti osoby, zejména děti nebo zvířata.
- C. Ujistěte se, že na trávníku nejsou žádné předměty, jako jsou kameny, větve, nářadí nebo hračky. Čepel mohou být poškozeny, pokud narazí na předmět.
- D. Nepřenášejte produkt nebo ho nepřesouvejte, když je zapnutý.
- E. Neumožněte, aby výrobek kolidoval s osobami nebo zvířaty. Pokud se člověk nebo zvíře ocitne v cestě produktu, okamžitě produkt zastavte.
- F. Nepokládejte předměty na vrchol produktu nebo nabíjecí stanici.
- G. Nepoužívejte produkt, pokud nefunguje tlačítko STOP.
- H. Vždy nastavte produkt na OFF, když není v provozu.
- I. Nepoužívejte produkt a zavlažovací trysku současně. Použijte funkci plánování ve stejnou dobu.
- J. Nedovolte, aby produkt pracoval, když je v pracovní oblasti stojatá voda, jako je oblast s loužemi vody vytvořenými silným deštěm.

1.5 Bezpečnostní Pokyny pro Údržbu

- A. Při údržbě produktu nastavte produkt na OFF.
- B. Nepoužívejte vysokotlaký čistič na čištění produktu. Nepoužívejte rozpouštědla k čištění produktu.
- C. Odpojte zástrčku od nabíjecí stanice před čištěním nebo údržbou nabíjecí stanice.

1.6 Bezpečnost Baterií

Lithium-iontové baterie mohou explodovat nebo způsobit požár, pokud jsou rozebrány, zkratovány nebo vystaveny vodě, ohni nebo vysokým teplotám. Zacházejte opatrně a neberte ani neotevírejte baterii nebo nezneužívejte ji elektricky/mechanicky. Vyhněte se skladování na přímém slunci.

2. Symboly a Dekály






Tyto symboly lze najít na produktu. Přečtěte si je pečlivě.

	VAROVÁNÍ: Přečtěte si uživatelské pokyny před obsluhou produktu.
	VAROVÁNÍ: Deaktivujte produkt před prací na něm nebo před zvedáním stroje. Nikdy nesahejte na rotační čepel.
	VAROVÁNÍ: Udržujte bezpečnou vzdálenost od stroje při jeho provozu. Udržujte ostatní osoby mimo nebezpečnou oblast.
	VAROVÁNÍ: Nesedejte na stroj.
	Použijte odnímatelný napájecí zdroj, jak je definováno na štítku s hodnocením vedle symbolu.
	Značka shody CE.
	Úroveň zvukového výkonu, určená evropskou směrnicí o venkovním hluku. Emisní hodnoty produktu jsou uvedeny v technických datech na stránce 6 a na typovém štítku.
	Nevyhazujte tento produkt jako běžný domácí odpad. Zajistěte, aby byl produkt recyklován v souladu s místními právními požadavky.
	Třída III
	DC









Symboly na bateriovém bloku

	Přečtěte si uživatelské pokyny.
	Nevyhazujte baterii do ohně a nevystavujte baterii zdroji tepla.
	Nepotápějte baterii do vody.
	Znak recyklovatelnosti.
	Není dovoleno likvidovat tento bateriový balíček jako běžný domácí odpad. Ujistěte se, že je bateriový blok recyklován v souladu s místními právními požadavky.

Symboly na nabíječe

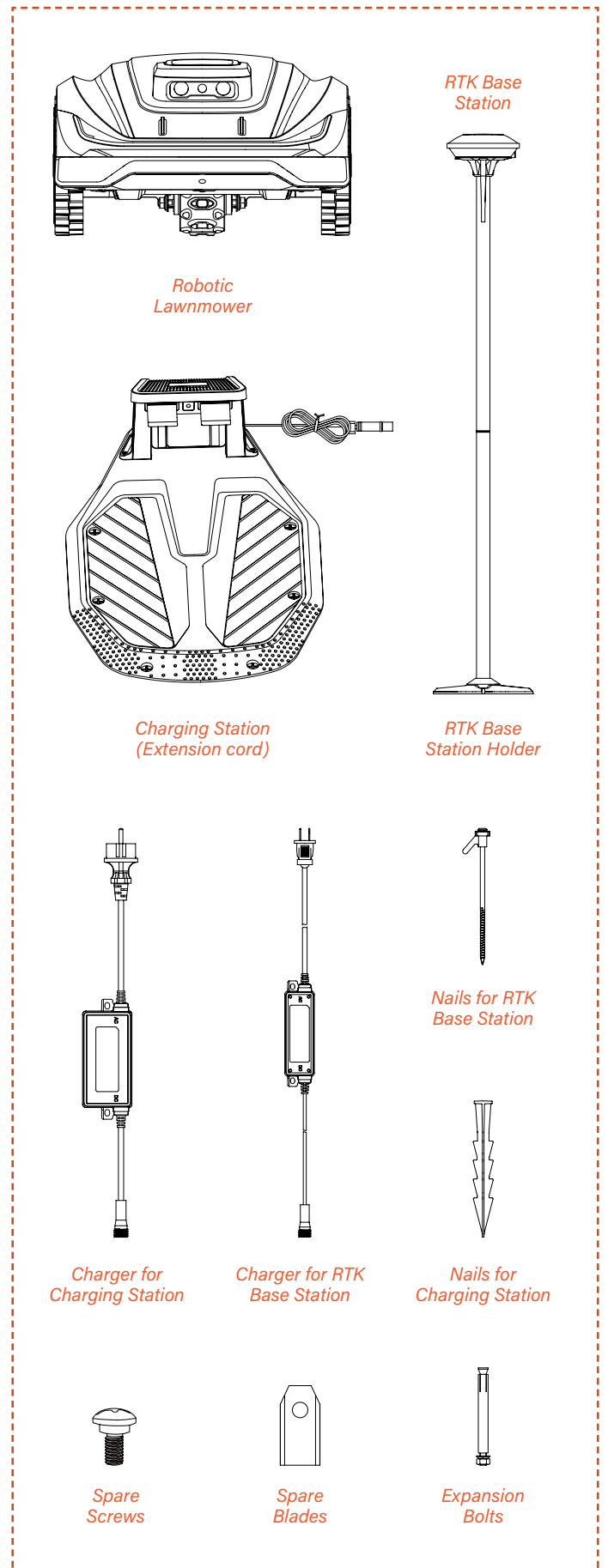
	<i>Přečtěte si uživatelské pokyny.</i>
T3.15A 	<i>Vyměňte pojistku v souladu s hodnocením.</i>
T2A 	<i>Vyměňte pojistku v souladu s hodnocením.</i>
	<i>Konstrukce třídy II.</i>
	<i>Nevyhazujte jako nesetříděný odpad, ale musí být zaslán do zařízení pro samostatný sběr za účelem zpracování a recyklace v souladu s místními právními předpisy.</i>

Symboly na obrazovce robota

	<i>Zapnout/vypnout</i>
	<i>Tlačítko start</i>
	<i>Tlačítko Domů</i>
	<i>Tlačítko OK</i>
	<i>Nastavení PIN kódu</i>
	<i>Nastavení času</i>
	<i>Bluetooth</i>
	<i>Wi-Fi</i>

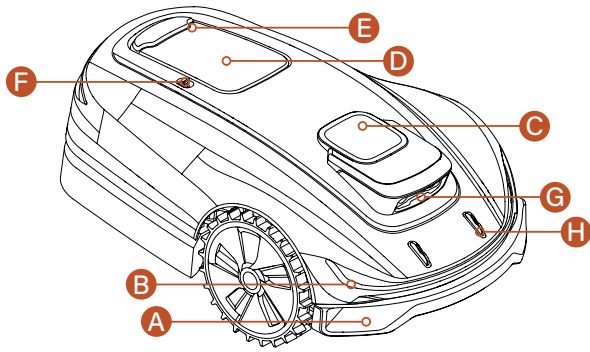
3. Obsah a Specifikace

3.1 Obsah Krabice

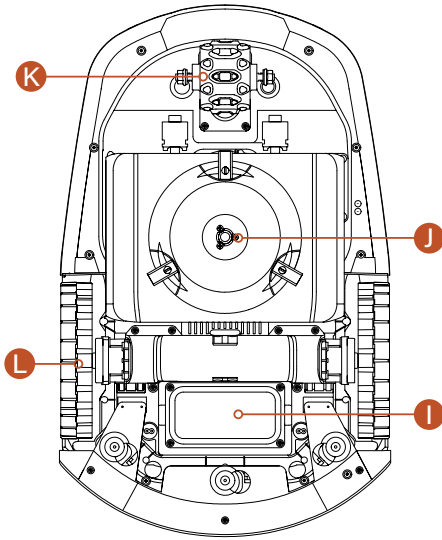


3.2 Části a Funkce

Pohled Shora



Pohled Zdola



I - Prostor pro baterii - Prostor pro uložení baterie.

J - Rotující řezací deska - Zařízení pro zastřihávání trávníku, když je stroj v provozu.

K - Motor kola - Vynikající řídicí zařízení a zdroj energie pro provoz.

L - Pohonná kola - Výstupní výkon pro pohyb s vynikajícími schopnostmi v terénu.

POZNÁMKA

Nepotápějte stroj do vody, protože to může poškodit komponenty a zrušit záruku v uvedeném období.

A - Nárazník - Když není k dispozici vizuální pozicování, nárazník zajišťuje normální provoz stroje.

B - LED světla - LED světla na sekačce indikují provozní stav stroje.

C - Anténa pro RTK pozicování - Interaktivní zařízení pro pozicování RTK základnové stanice, stroje a satelitů.

D - Ovládací panel - Panel pro zapnutí a vypnutí napájení stroje; pro příkazy stroji pracovat nebo se vrátit; a další.

E - Tlačítko STOP - Tlačítko pro nouzové zastavení stroje v případě jakékoliv urgentní situace.

F - Dešťový senzor - Dešťový senzor dokáže detekovat déšť a stroj se podle nastavení uživatele automaticky vrátí do nabíjecí stanice, aby se vyhnul dešti.

G - Binokulární kamera - Binokulární kamera s podporou AI pomáhá sekačce detekovat a vyhýbat se překážkám.

H - Nabíjecí elektrody - Nabíjecí elektrody na stroji se připojují k elektrodám na nabíjecí stanici pro nabíjení baterie stroje.

3.3 Specifikace

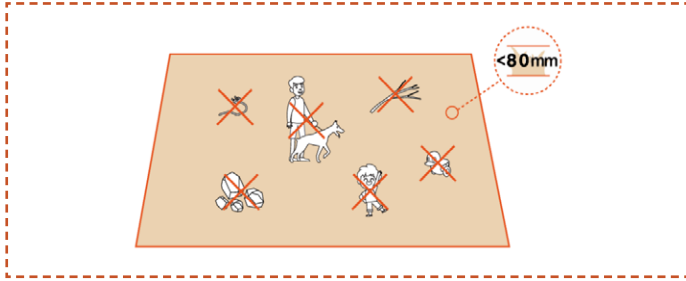
TECHNICKÉ SPECIFIKACE	X5-2000 RMX2000L20V
Hraniční drát	Bezdrátový / bez hranic
Maximální sekací plocha	2000m ²
Minimální/maximální výška sečení	20-60mm
Nastavení výšky	Manual
Šířka stříhu	22cm
Kapacita Baterie	5 Ah
Uživatelské rozhraní	Displej Aplikace a Klávesnice
Maximální sklon	30° (60%)
Rozměry robota	680*420*275 cm
Certifikáty	CE RoHS
Čistá hmotnost	11.8 kg
Hladina akustického výkonu LWA	60 dB (A)
Nejistoty akustického výkonu KWA	3dB (A)
Hladina akustického tlaku LpA	52 dB (A)
Nejistoty akustického výkonu KpA	3dB (A)
VLASTNOSTI	
Wifi / Bluetooth	▪
Inteligentní mapování	▪
Plánování trasy	3 možnosti
VSLAM	▪
Super Wifi	▪
FOTA	▪
Rychlý návrat do nabíjecí stanice	▪
Kola poháněná na všechna kola (AWD)	3 kola
Mapa zahrady v aplikaci	▪
Více zón	Až 8
Pracovní plán (nastaven v aplikaci)	Automatické nebo manuální nastavení přes aplikaci
Senzor nárazu	▪
Mytí vodou	▪
Protikrádežní ochrana: pomocí GPS + 4G*	○
Google Assistant & Amazon Alexa	▪
PIN kód	▪
Senzory zvednutí a náklonu	▪
Dešťový senzor	▪
Eko režim	▪
LED světlomety	▪
PŘÍSLUŠENSTVÍ	
Montážní hřebíky k základně	8 ks
Nabíječka	3 A (CGF253)
Zdroj napájení	1.1 A (CGF251)/2 A (CGF152)

4.1 Přípravy

Připravte trávník

- A. Odstraňte veškerý odpad, hromady listů, hračky, dráty, kameny nebo jiné překážky.
- B. Pro zajištění bezpečnosti se ujistěte, že děti a domácí zvířata nejsou na trávníku.
- C. Před použitím robotické sekačky posekejte trávník na výšku nejvýše 80mm.
- D. Celková velikost trávníku se pohybuje od 2000 m².

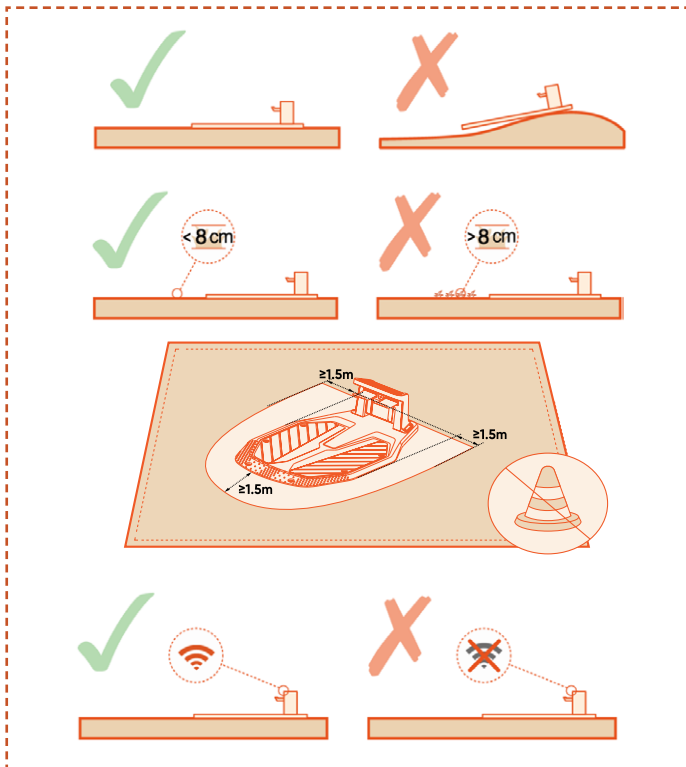
Doporučené typy trávníků jsou znázorněny na obrázcích níže:



4.2 Instalace Nabíjecí Stanice

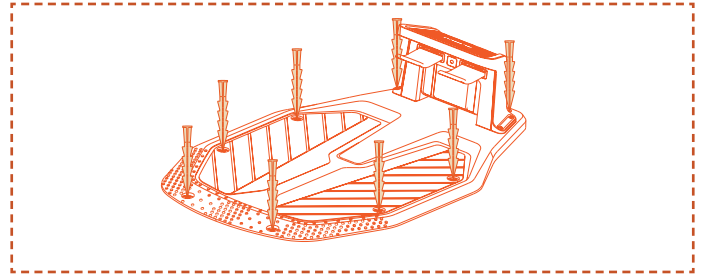
Najděte vhodné místo

Zajistěte, aby sekačka mohla úspěšně vycházet z nabíjecí stanice a vracet se do ní, instalujte nabíjecí stanici na otevřeném rovném terénu pokrytém domácí sítí WIFI. Před nabíjecí stanicí by neměly být žádné překážky do vzdálenosti 1.5 m. Pokud je na místě tráva, měla by být nižší než 8 cm.

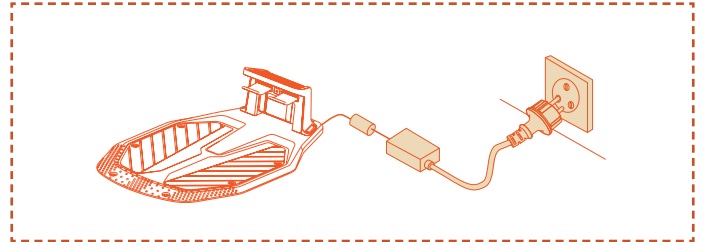


Instalace nabíjecí stanice

A. Přibijte nabíjecí stanici na nezpevněný a rovný terén.



B. Připojte napájecí kabel k zdroji napájení. Pokud je významná vzdálenost mezi nabíjecí stanicí a zdrojem napájení, zajistěte, aby byl napájecí kabel bezpečně připevněn k zemi a stěně pro zajištění bezpečného provozu.

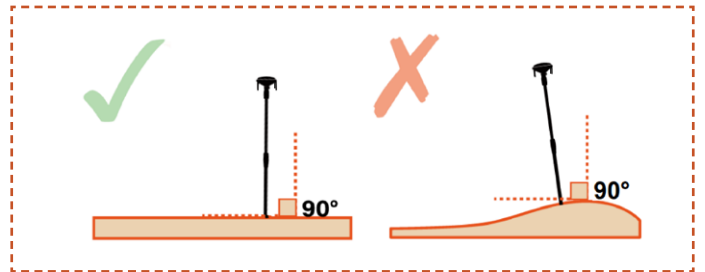


C. Pokud nelze dosáhnout úplné otevřenosti ze všech stran, alespoň udržujte jižní oblohu volnou, pokud jste na severní polokouli, nebo severní oblohu, pokud jste na jižní polokouli. Snažte se udržet východní a západní strany volné od překážek.

4.3 Instalace RTK Základní Stanice

Najděte vhodné místo

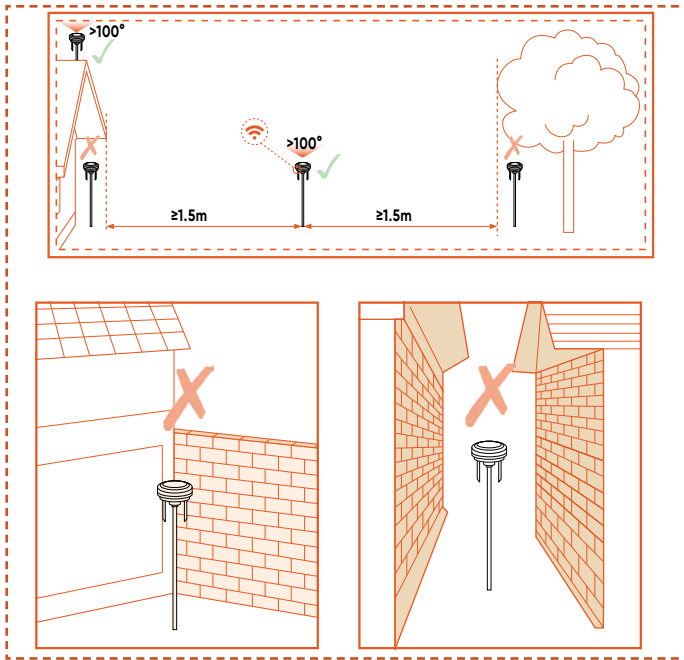
A. Umístěte RTK základní stanici ve svislé poloze. Vyhněte se instalaci RTK základní stanice na svahu.



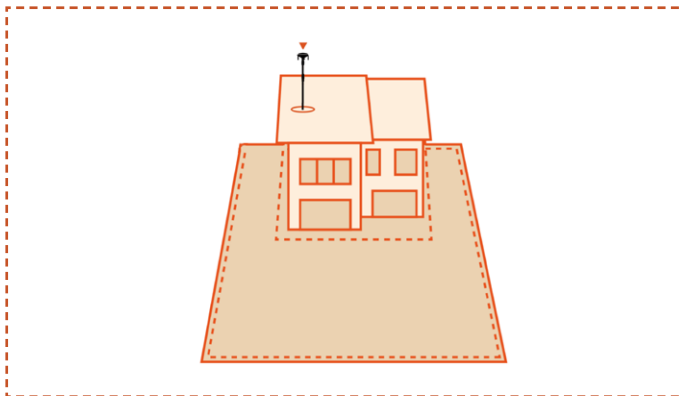
B. Umístění by mělo být pokryto vaší domácí sítí Wi-Fi.

C. Pro zajištění dobrého příjmu satelitních signálů instalujte stanici na otevřeném a rovném místě bez blokování signálu, kde má alespoň 100° čistý úhel příjmu signálu s neobstrukčním nebem.

D. Vzdálenost mezi RTK základní stanicí a stěnou nebo stromy by měla být větší než 1.5 m.



E. Pokud máte oddělené trávníky nebo má váš trávník tvar písmene "O", "U", doporučujeme instalaci RTK základní stanice na střeše nebo na stěně.



F. Pokud nelze dosáhnout úplné otevřenosti ze všech stran, alespoň udržujte jižní oblohu volnou, pokud jste na severní polokouli, nebo severní oblohu, pokud jste na jižní polokouli. Snažte se udržet východní a západní strany volné od překážek.

Instalace RTK základní stanice

- A. Pomocí hřebíků nainstalujte RTK základní stanici na místě s dostupným zdrojem energie.
- B. Připojte prodlužovací kabel a nabíječku k RTK základní stanici.
- C. Připojte RTK základní stanici do zdroje energie.

Kontrola satelitního signálu



Indikátor polohy

- Stálá zelená: Dobrý satelitní signál na tomto místě.
- Stálá oranžová: Slabý satelitní signál na tomto místě; doporučuje se přeinstalovat základní stanici na místo s lepším signálem, bez překážek.
- Stálá červená: Velmi slabý satelitní signál na tomto místě; musíte přeinstalovat základní stanici na místo s lepším signálem, bez překážek.

Indikátor Wi-Fi

- Stálá zelená: Wi-Fi připojeno a zajištěn přístup k serveru
- Blikající zelená: Připojování k Wi-Fi nebo nepřipojeno k serveru
- Žádná zelená světla: Wi-Fi nepřipojeno

Indikátor Super Wi-Fi

- Stálá zelená: Normální komunikace
- Blikající zelená: Probíhá spárování
- Žádná zelená světla: Komunikační anomálie

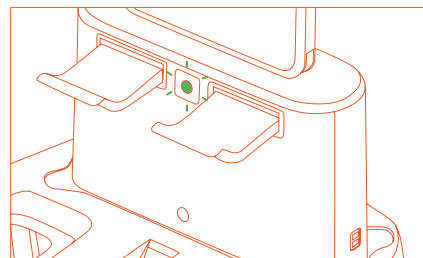
Indikátor napájení

- Stálá zelená: Anomálie napájení
- Blikající zelená: Napájení normální
- Žádná zelená světla: Bez napájení

4.4 Nabíjení a Aktivace Sekačky

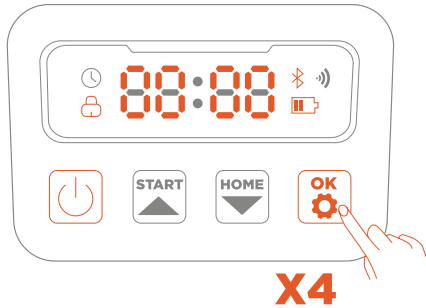
Nabíjení sekačky

Zasuňte sekačku do nabíjecí stanice a ujistěte se, že nabíjecí elektrody správně spojují. Blikající zelené světlo na nabíjecí stanici signalizuje normální nabíjení.



Aktivujte sekačku

- A. Dlouze stiskněte tlačítko zapnutí a zadejte heslo. Výchozí PIN kód je "0000". Po zadání každé nuly stiskněte OK pro dokončení nastavení.
- B. Při zadávání hesla můžete použít tlačítko START jako klávesu plus (+) a tlačítko HOME jako klávesu minus (-).
- C. Pokud chcete změnit heslo, dlouze stiskněte současně tlačítko start a Home, abyste změnili heslo.



iOS



Android

Poznámka

Pokud indikátorové světlo zůstává vypnuté i při správném napájení, kontaktujte prosím zákaznickou podporu.

Opatrně

- Nesmíte shazovat nabíječky na zem v rámci virtuálních hranic.
- Pokud je nabíjecí stanice instalována v rámci virtuálních hranic, upevněte prodlužovací kabel k zemi, aby byl zajištěn správný provoz sekačky.

VAROVÁNÍ

- NEBUDETE nabíjet, pokud je stroj, nabíječka, nabíjecí stanice nebo zásuvka poškozena.
- NEBUDETE nabíjet sekačku, když teplota přesahuje 40 °C (104 °F) nebo je nižší než 5 °C (41 °F). Nabíjení neproběhne, pokud jsou překročeny teplotní limity.
- Okamžitě zastavte nabíjení, pokud se objeví neobvyklý zápach, zvuk nebo světlo.
- Vyhněte se nabíjení blízko hořlavých nebo výbušných materiálů.

4.5 Připojení k Aplikaci

POZNÁMKA

Následující ilustrace týkající se aplikace jsou pouze pro demonstrační účely. Dostupné možnosti se mohou lišit v závislosti na verzi softwaru.

Jak používat aplikaci Sunseeker

- Ujistěte se, že stroj je na nabíjecí stanici a správně se nabíjí.
- Naskenujte QR kód pro stažení aplikace Robotic Mower, nebo vyhledejte "Robotic Mower" v obchodě Google Play (Android) nebo v Apple App Store (iOS) pro dokončení nastavení.



C. Vytvořte nový účet a přihlaste se. Zapněte Bluetooth a Wi-Fi vašeho telefonu. Naskenujte SN QR kód stroje, abyste přidali vaši robotickou sekačku na trávu. Po úspěšném spárování zadejte výchozí heslo stroje 0000. Hesla lze změnit na telefonu.

D. Nastavte ve vaší aplikaci Wi-Fi pro stroj. Stroj musí být připojen ke stejné Wi-Fi jako váš mobilní telefon. Zadejte název a heslo vaší domácí Wi-Fi.

E. Připojte se k Wi-Fi. Jakmile je připojení úspěšné. Jakmile je připojení úspěšné, na robotovi a v aplikaci se rozsvítí ikona Wi-Fi.

F. Pojmenujte svého robota.

POZNÁMKA

Když je to nutné, aplikace požádá o přístup k Bluetooth a Wi-Fi sítím, aby bylo zajištěno správné nastavení a budoucí funkčnost, povolte přístup k těmto funkcím.

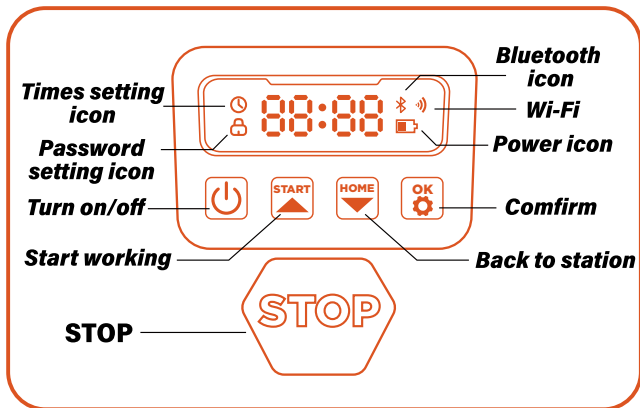
Použijte Aplikaci Robotic Mower k

- Spárování a aktivaci sekačky.
- Vytvoření mapy (pracovní oblast).
- Monitorování stavu a pracovního postupu sekačky a dálkové ovládání jejích operací, jako je spuštění, zastavení nebo návrat do nabíjecí stanice.
- Zobrazení a změna nastavení práce sekačky (plán sečení, výška sečení, správa map).
- Zobrazení a změna bezpečnostních/funkčních nastavení sekačky (PIN, zastavení čepele atd.).
- Zobrazení nebo aktualizace verze firmware zařízení, zobrazení stavu síťového připojení.
- Odstranění spárování, změna nebo přidání zařízení.
- Získání informací o pomoci a zákaznické podpoře.

5. Každodenní Provoz

5.1 Displej a Ovládání na Sekačce

Displej



Ikona napájení: Ikona stavu baterie ukazuje zbývající kapacitu stroje. Zobrazení jedné ikony značí, že kapacita je 30 % nebo méně, zobrazení dvou lišt značí kapacitu mezi 31–66 % a zobrazení tří lišt značí kapacitu 67 % a více.

Ikona Wi-Fi: Ikona Wi-Fi ukazuje, zda je stroj úspěšně připojen k Wi-Fi.

Ikona Bluetooth: Ikona Bluetooth ukazuje, zda je stroj úspěšně připojen k Bluetooth.

Ikona nastavení času: Ikona nastavení času znamená, že stroj vstoupil do režimu nastavení času.

Ikona nastavení hesla: Svícení ikony zámku znamená, že musíte zadat heslo nebo změnit heslo stroje.

Displej přístrojové desky: Displej přístrojové desky ukazuje různé stavy a režimy, ve kterých se stroj nachází:

- . **nečinnost:** Stroj je v pohotovostním režimu a v tuto chvíli nejsou prováděny žádné úkoly.
- . **Běžící světlo:** Stroj je v pracovním režimu. V tuto chvíli se disk otáčí vysokou rychlostí. Prosím, držte se od něj dál.
- . **----**: Když je zapnuté zpoždění kvůli dešti, stroj rozpozná, že v tuto chvíli prší, ukončí aktuální práci a vrátí se do nabíjecí stanice.
- . **stop:** Bylo stisknuto tlačítko nouzového zastavení na stroji.

Základní Ovládání

Zapněte: Stiskněte a podržte tlačítko napájení po dobu 2 s.

Vypněte: Stiskněte a podržte tlačítko napájení po dobu 3 s.

Sekačku nelze vypnout, když je na nabíjecí stanici. Když je sekačka vypnuta, na palubní desce se zobrazí slovo "sbohem" a poté se obrazovka vypne.

Začít pracovat/Zapněte: Stiskněte tlačítko START a poté OK.

Návrat do stanice/Vypněte: Stiskněte tlačítko HOME a poté OK.

Zastavit provoz sekačky: Stiskněte STOP.

Restartujte sekačku: Stiskněte a držte tlačítko napájení po dobu 10 sekund pro vypnutí stroje, poté jej znovu zapněte nebo přímo zasuňte stroj do nabíjecí stanice a připojte jej k nabíjecím elektrodám na stanici.

5.2 Změna PIN kódu

Pokud je sekačka v uzamčeném stavu, zadejte PIN kód před manuálním ovládním sekačky. Výchozí kód lze změnit prostřednictvím aplikace Robotic Mower.

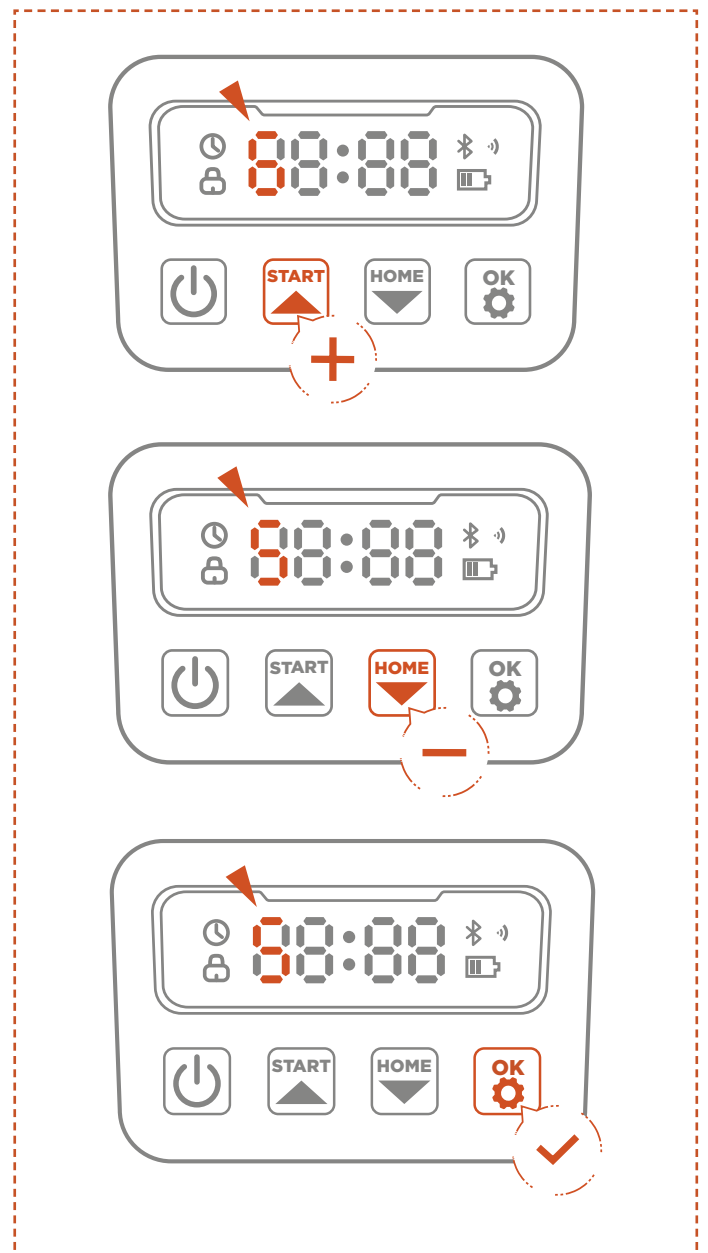
A. Dlouze stiskněte tlačítka START a HOME po dobu 3 sekund.

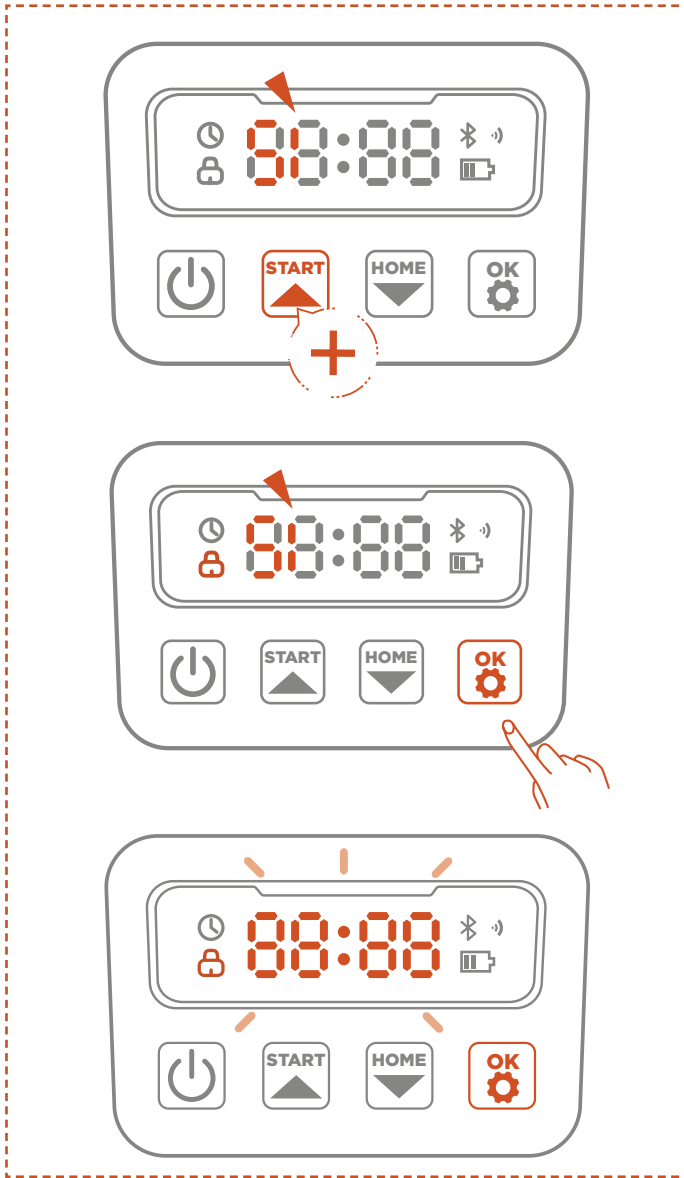
B. Když se zobrazí PIN1 a po zobrazení "0---", zadejte staré heslo.

C. Když se zobrazí PIN2 a po zobrazení "0---", zadejte nové heslo. Stiskněte OK pro potvrzení.

Poznámka

Pokud je PIN kód zadán špatně, displej ukáže "ERR".





- Pokud používáte iOS zařízení, sekačka se může připojit pouze k Wi-Fi, ke které je připojeno vaše mobilní zařízení. Postupujte podle instrukcí v aplikaci. Nejprve připojte své mobilní zařízení k Wi-Fi, pak připojte sekačku ke stejné Wi-Fi. Pro zařízení s Androidem neplatí žádné takové požadavky.

Aktualizace firmwaru

Budeme nadále aktualizovat firmware sekačky. Pokud bude k dispozici nová verze firmware, obdržíte v aplikaci vyskakovací oznámení. Doporučuje se aktualizovat jakmile je dostupný nejnovější firmware.

Při aktualizaci firmware musí být splněny následující podmínky:

- Stroj je na nabíjecí stanici.
- Síť je připojena.
- Kapacita baterie je více než 30%.
- V následující hodině není naplánováno sečení.

Během procesu aktualizace bude ambientní světlo na sekačce blikat modře. Pokrok aktualizace můžete sledovat ve své aplikaci. Po dokončení aktualizace se ambientní světlo sekačky změní na zelené.

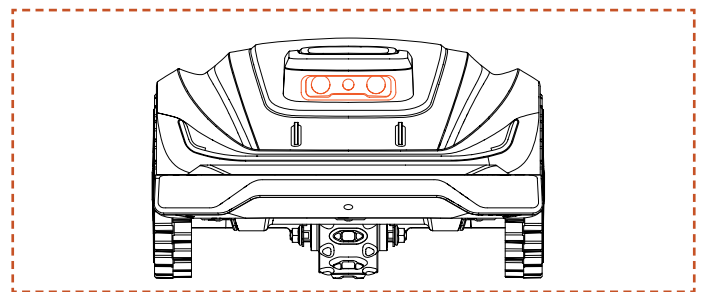
! VAROVÁNÍ

- NEHYBEJTE sekačkou během procesu aktualizace.

5.4 Vyhnout se překážkám

Binokulární kamera

Binokulární kamera je součástí standardní výbavy Platformy X. Je navržena pro vizuální detekci hranic, předcházení překážkám a vizuální rozpoznání QR kódů během nabíjení, což činí sekačku inteligentnější.



POZNÁMKA

- Práce ve tmavých prostředích může ovlivnit schopnost stroje přesně a rychle rozpoznat překážky a vyhnout se jim. Doporučuje se neprovádět práce se strojem v noci.
- Pokud je na vašem trávníku příliš mnoho překážek, zvažte nastavení zón bez přístupu kolem nich nebo odstranění některých překážek pro zvýšení efektivity stroje.

5.3 IoT

Platforma X je zařízení internetu věcí (IoT). Připojte sekačku k internetu prostřednictvím mobilní sítě nebo vaší Wi-Fi sítě, čímž umožníte následující funkce:

- A. Aktualizace firmware přes vzduch (OTA), udržte svou sekačku aktualizovanou na nejnovější funkce.
- B. Umožněte dálkové ovládání přes síť:
začít sekat, zastavit sekání, vrátit se do nabíjecí stanice, nastavit plán sekání, nastavit výšku stříhu a další funkce.
- C. Dálkový monitoring postupu sečení a polohy sekačky.
- D. Hlášení chybových kódů a stavu sekačky přes síť.

Wi-Fi

Platform X používá Wi-Fi pro připojení k síti. Podívejte se na nastavení Wi-Fi pro více informací.

POZNÁMKA

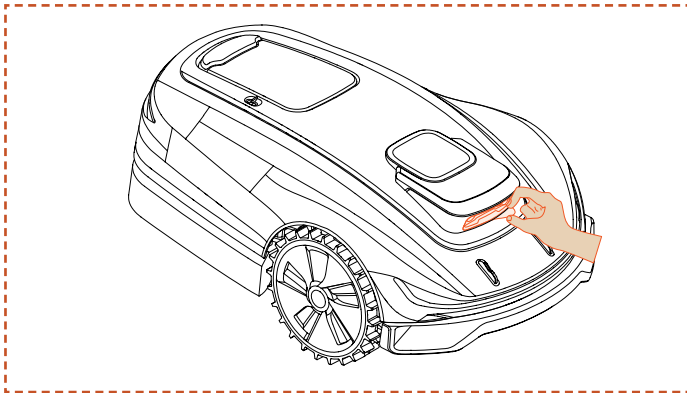
- Platform X podporuje pouze 2.4GHz Wi-Fi síť.

Umělá inteligence

Sunseeker AIR (umělá inteligence rozpoznání) předefinuje bezpečnost a zabezpečení pomocí proprietární kamery na bázi VSLAM a Sunseeker AIR, nabízející širší zorné pole (FOV) pro detekci překážek, předvídání jejich přítomnosti a odbornou změnu trasy sekačky, aby se jim vyhnula. Funkce vyhýbání se překážkám jsou navrženy tak, aby zvýšily výkon vaší sekačky a zlepšily vaši bezpečnost.

Senzor nárazníku

Senzory jsou instalovány uvnitř Platformy X pro detekci překážek. Když nárazník narazí na překážku a spustí senzor, sekačka pojedou vzad a vyhne se překážce.



POZNÁMKA

- Vaše Platforma X je schopna se vyhnout objektům po jejich narazení. Nicméně se doporučuje odstranit přebytečný nepořádek před sekáním.

6. Údržba

- A. Zajiďte vynikající výsledky sečení a prodlužte životnost své sekačky díky údržbě.
- B. Pravidelná kontrola a údržba dospělou osobou každý týden jsou nezbytné pro zajištění optimálního výkonu stroje.
- C. Chraňte své zdraví dodržováním bezpečnostních pokynů: vyhněte se provádění údržby ve volných sandálech nebo naboso.
- D. Vždy dávejte přednost bezpečnosti tím, že během servisu sekačky nosíte dlouhé kalhoty a pracovní boty.
- E. Okamžitě vyměňte jakékoli poškozené nebo opotřebené díly, aby byl zajištěn plynulý provoz.

Pouze autorizovaní servisní technici mají povolení otevřít a znovu uzavřít šasi umístěné za nárazníkem. Omezená Záruka může být zrušena, pokud provádíte vlastní servis.

UPOZORNĚNÍ: POJIŠTĚNÍ

Vaše pojistné polisy nemusí pokrývat nehody související s tímto produktem. Kontaktujte svého pojišťovatele nebo agenta, abyste zjistili, zda je k dispozici krytí.

6.1 Čištění

- A. Vypněte sekačku.
- B. Použijte jemný štětec nebo hadřík k pečlivému čištění vnějšku, vyhněte se použití jakýchkoli agresivních rozpouštědel, jako je alkohol, benzín nebo aceton. Tyto látky mohou poškodit jak estetiku, tak vnitřní komponenty vaší sekačky.

POZNÁMKA

- Pro bezproblémové dokování je zásadní pravidelně kontrolovat a čistit nabíjecí stanici od jakéhokoli odpadu nebo nahromadění bláta.
- Ujistěte se, že všechny spojovací části nabíjecí stanice, prodlužovacího kabelu a zdroje napájení zůstávají nezablockované pro optimální výkon.

Podvozek a disk s čepelemi

- A. Pro čištění podvozku a kotouče s čepelemi se doporučuje použít kartáč nebo hadici na vodu.
- B. Nepoužívejte vysokotlaký čistič, může způsobit poškození.
- C. Ujistěte se, že kotouč s čepelemi se otáčí hladce a čepele se mohou volně otáčet bez omezení.

! OPATRNĚ

- Vysokotlaká voda může proniknout do těsnění a poškodit elektronické a mechanické části.

Kola

Tráva na kolech může zhoršit výkon sekačky při stoupání svahů. Použijte kartáč k odstranění bahna nebo jiných předmětů mezi nimi, aby byla zajištěna dobrá přilnavost.

Dešťový senzor

A. Zkontrolujte dešťový senzor jednou měsíčně a ujistěte se, že není zakryt bahnem, trávou nebo jinými objekty.

B. Omyjte bahno, trávou nebo jiné předměty nebo použijte měkký kartáč k čištění.

C. Po čištění osušte oblast senzoru, aby nedošlo k jeho aktivaci, jak by tomu bylo v případě deště.

Kamera

Pravidelně čistěte kameru, aby zůstala čistá.

VAROVÁNÍ

- Ujistěte se, že je sekačka vypnutá před čištěním.
- Když je sekačka obrácená vzhůru nohama, vypněte ji.

6.2 Výměna čepelí

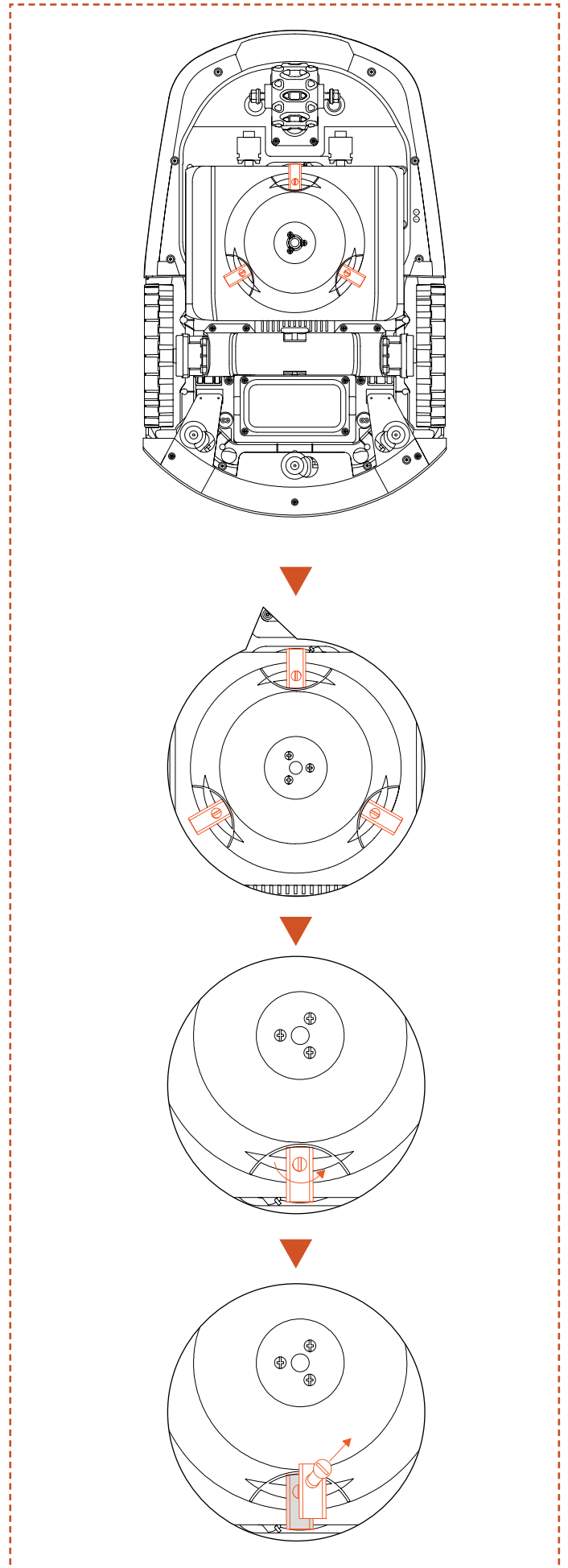
Pro lepší výkon sekání a bezpečnost se doporučuje měnit šrouby a čepel sekačky každé 1-2 měsíce, pokud se používá často. Pro bezpečný řezací systém vyměňte všechny čepel společně s jejich šrouby současně. Odkazujte na sekci "Specifikace - příslušenství" pro díly, které lze použít.

VAROVÁNÍ

- Při kontrole nebo servisu čepel noste silné rukavice.
- Nepoužívejte šrouby znovu. Může dojít k vážnému zranění.
- Důrazně doporučujeme používat správné šrouby a originální čepel, které jsme prodali. (NO.80201457).

Jak vyměnit čepel

- Vypněte sekačku.
- Postavte sekačku vzhůru nohama na čistý, měkký povrch, aby nedošlo ke škrábancům.
- Použijte křížový šroubovák k uvolnění šroubů.
- Odstraňte šrouby a čepel.
- Přípevněte nové čepel a šrouby (Točivý moment: 1.0+0.2 N.m). Ujistěte se, že čepel se mohou volně otáčet.



POZNÁMKA

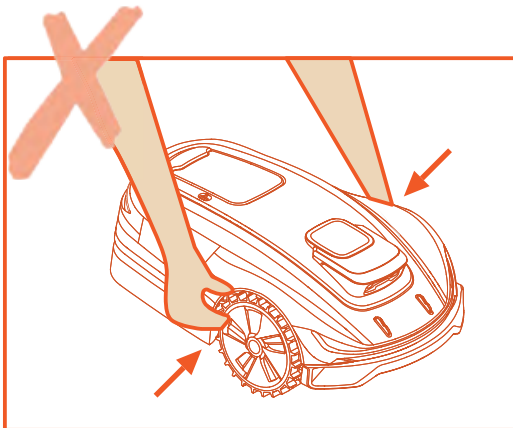
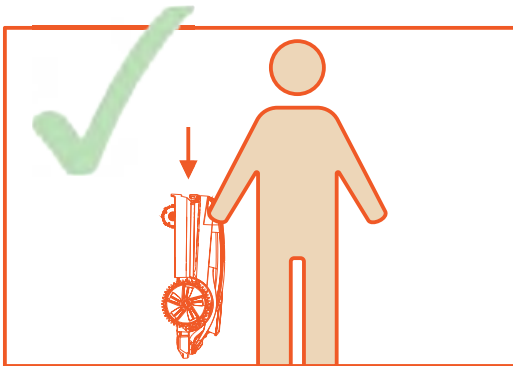
- Vyměňte šrouby za standardní točivý moment 1.0+0.2 N.m. Nesprávný točivý moment může vést k zbytečným problémům.
- Ujistěte se, že je sekačka vypnutá a zkontrolujte čepele pro správnou aplikaci. Zkontrolujte abnormální hluk nebo otřesy.

6.3 Přeprava

Ujistěte se, že bezpečnost sekačky při dlouhodobé dopravě je zajištěna použitím původního balení. Před zvednutím, přemístěním nebo přepravou produktu se ujistěte, že je vypnutý. Zacházejte opatrně a vyhýbejte se násilné síle, jako je házení a těžký tlak. Nikdy nepřenášejte ani nenoste sekačku, když motor běží.

Jak správně přemístit nebo zvednout

Noste sekačku za držadlo. Mějte disk s čepelemi obrácený od vašeho těla.



6.4 Baterie

- A. Před uskladněním plně nabijte baterii, aby nedošlo k nadměrnému vybití a poškození elektrických částí.
- B. Omezená záruka nebude chránit proti poškození baterie způsobené nadměrným vybitím.
- C. NEBUDETE nabíjet baterii v teplotách vzduchu pod 5 °C (41 °F) nebo nad 40 °C (104 °F).
- D. Pokud je baterie nabíjena, když je teplota vzduchu mezi 18 °C a 25 °C, může to prodloužit její životnost a zlepšit výkon.
- E. Baterie nejlépe funguje, když je provozována při

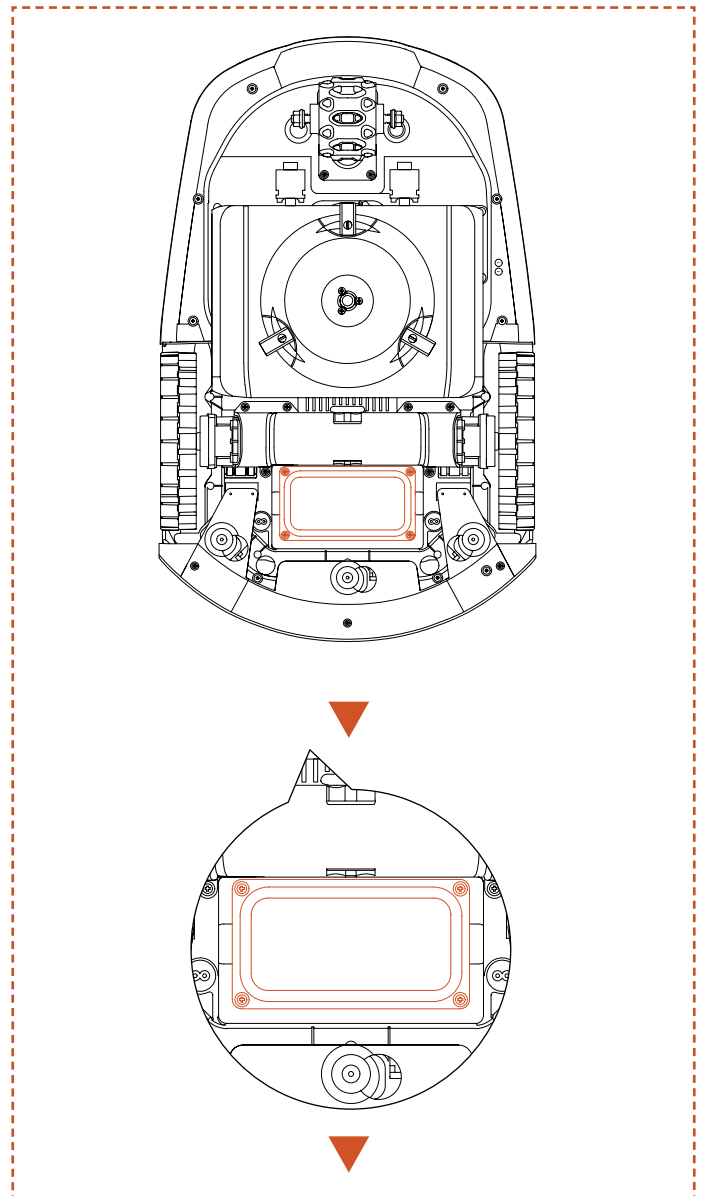
normální pokojové teplotě (20 °C±5 °C).

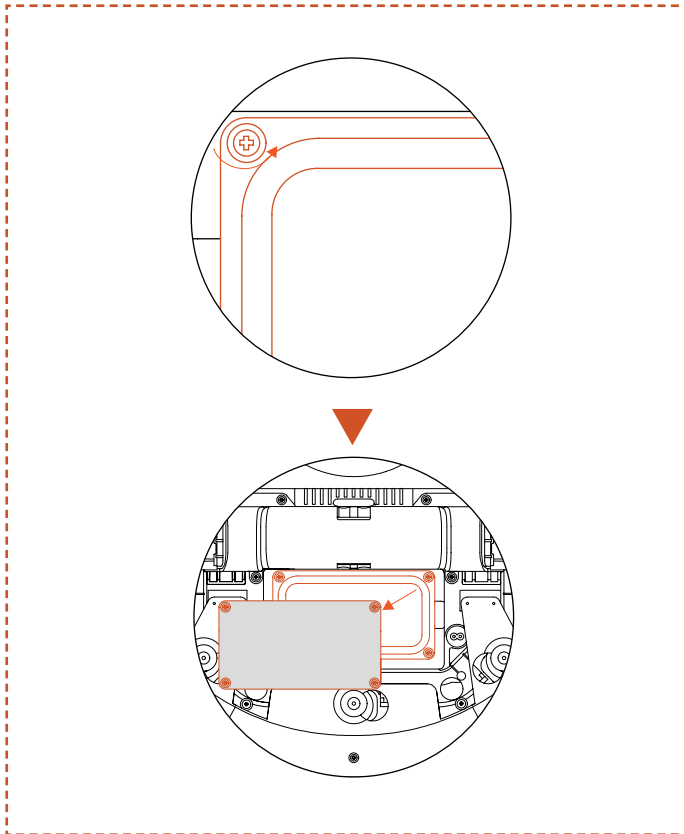
POZNÁMKA

- Životnost baterie závisí na tom, jak často je výrobek používán a na celkových provozních hodinách. Když je doba provozu na jedno nabití výrazně kratší než obvykle nebo trávník není dobře posečen, doporučuje se baterii vyměnit.

Jak vyměnit baterii

- A. Vypněte sekačku.
- B. Umístěte sekačku vzhůru nohama na čistý, měkký povrch.
- C. Uvolněte 4 šrouby držící bateriový prostor pomocí křížového šroubováku.
- D. Odpojte zástrčku.
- E. Vyjměte bateriový balíček a vyměňte jej za nový.





! VAROVÁNÍ

- Používejte pouze originální bateriový blok nebo bateriový blok stejného modelu, jak je specifikováno společností SUNSEEKER. Každá sekačka obsahuje jeden bateriový blok.
- V závislosti na konkrétním modelu sekačky je jmenovitá kapacita baterie 5000 mAh nebo 10000 mAh.
- Nepoužívejte nebatérie. Pro účely nabíjení používejte pouze dodávanou odnímatelnou jednotku.
- Vyhněte se poškození nebo rozebírání bateriového pouzdra. Vyhněte se kontaktu s kovovými předměty, aby nedošlo ke zkratu. Držte se daleko od zdrojů tepla, ohně a přímého slunečního světla.
- Pro více informací o bateriích a elektrickém odpadu se obraťte na své prodejní místo, místní nebo regionální úřad pro správu odpadů nebo službu pro likvidaci domácího odpadu.
- Otevírání bateriového prostoru není určeno pro časté použití. Pokud je potřeba nová baterie, měli byste otevřít bateriový prostor.
- Bateriový blok obsahuje elektrolyty. Pokud dojde k úniku elektrolytu a ten se dostane na vaši kůži, okamžitě omyjte mýdlem a vodou. V případě kontaktu s očima vyhledejte lékařskou pomoc a oči okamžitě vyplachujte dostatečným množstvím vody po dobu alespoň 15 minut bez tření.

6.5 Napájení

Odpojte zdroj napájení:

- A. Před odstraněním závady.
- B. Před kontrolou, čištěním nebo údržbou stroje.
- C. Po nárazu na cizí předmět pro kontrolu poškození stroje.
- D. Pravidelně kontrolujte kabel, zástrčku, pouzdro a další části. Pokud jsou nalezena jakákoli poškození nebo známky stárnutí, okamžitě přestaňte používat.

! VAROVÁNÍ

- NIKDY nepoužívejte poškozený zdroj napájení pro provoz. Aby se předešlo nebezpečí, poškozený napájecí kabel musí být vyměněn výrobcem, jeho servisním technikem nebo jinými odpovídajícím způsobem kvalifikovanými osobami. Pokud je prodlužovací kabel vadný, vyměňte jej za schválený 10m kabel od SUNSEEKER.
- NIKDY nesahejte na prodlužovací kabel nebo poškozený kabel, dokud nebyl odpojen od zdroje napájení nebo připojen k napájení. Poškozený kabel může způsobit kontakt s elektrickými komponentami.
- Napájecí zdroj by neměl být používán s jiným zařízením nebo baterií, protože to zvyšuje riziko elektrického úrazu, požáru nebo osobního zranění. Pokud používáte cokoli jiného než originální baterie, bezpečnost produktu nemůže být zaručena.
- NEBUDETE nabíjet, když baterie uniká.
- Udržujte prodlužovací kabel daleko od pohybujících se nebezpečných částí, aby nedošlo k poškození kabelů, což může vést k kontaktu s živými částmi.

Doporučení

Připojte sekačku a/nebo její periferie pouze k napájecímu obvodu chráněnému zařízením s reziduálním proudem (RCD) s proudem spouštění ne více než 30 mA.

6.6 Skladování

- A. Ujistěte se, že je sekačka plně nabitá a vypnutá před uložením, aby nedošlo k nadměrnému vybití, které by mohlo způsobit trvalé poškození.
- B. Skladujte na suchém, chladném místě uvnitř. Skladujte na suchém, chladném místě uvnitř.
- C. Udržujte chemikálie a zdroje tepla (sporáky, radiátory atd.) daleko od sekačky, nabíjecí stanice a napájecího zdroje.
- D. Skladujte napájecí zdroj na místě s dobrou ventilací a chraňte ho před vlhkostí.

VAROVÁNÍ

- Odpojte napájecí zdroj od zásuvky, pokud je předpověď bouřky. Odpojte všechny kabely a dráty, které jsou připojené k nabíjecí stanici. Připojte znovu, když již nehrozí možnost bouřky.

Dodatkové požadavky pro zimní skladování

Sekačka:

- A. Před skladováním důkladně vyčistěte sekačku.
- B. Zkontrolujte komponenty vystavené opotřebení, jako jsou čepele.
- C. Opravte je nebo vyměňte, pokud jsou ve špatném stavu.
- D. Skladujte sekačku na suchém a bezmrazém místě, zatímco stojí na všech kolech, nejlépe v původním obalu.

Nabíjecí stanice:

- A. Odpojte od nabíjecí stanice a odpojte napájecí zdroj od zásuvky.
- B. Uchovávejte nabíjecí stanici mimo přímé sluneční světlo a přineste ji dovnitř.

6.7 Recyklace a Likvidace na Konci Životnosti

Tento produkt NENÍ domácí odpad. Obráťte se na svou obec, prodejní místo nebo službu pro likvidaci domácího odpadu pro informace o recyklaci.

VAROVÁNÍ

- Tento produkt by neměl být likvidován na skládce, spálen nebo smíchán s běžným domácím odpadem. Elektrické komponenty mohou způsobit nebezpečí nebo vážné poškození.

7. FAQ a Řešení Problémů

7.1 Chybová zpráva

Chybový Kód	Význam	Možná příčina
E1	Robot mimo pracovní zónu	Jak vyřešit "Robot mimo pracovní zónu"?
E2	Motor kola zablokován	Motor kola je zaseknutý
E3	chyba motoru řezacího zařízení	Motor řezacího zařízení je zaseknutý
E4	Zaseknutí nárazníku robota	1. Příliš mnoho překážek 2. Potvrďte, zda je nárazník na správném místě.
E5	Robot zvednutý	Potvrďte, zda byl stroj zvednut
E6	Náklon robota	Potvrďte, zda je stroj umístěn na nerovném terénu.
E7	Častá aktivace senzoru úhlu	Potvrďte, zda je stroj umístěn na nerovném terénu.
E8	Selhání při dokování na nabíjecí stanici během dobíjení	Jak vyřešit chybu "Selhání při dokování na nabíjecí stanici během dobíjení"?
E9	Robot uvízl	1. Potvrďte, zda jsou kolem stroje příliš mnoho překážek 2. Robot vstoupil do úzkého prostoru a nemůže se dostat ven 3. Sekačka klouže
E10	Selhání aktualizace	1. Zkontrolujte, zda je signál WiFi velmi slabý 2. Zkontrolujte, zda je stroj dobíjen na nabíjecí stanici
E12	Chyba napětí baterie	1. Umístěte stroj na nabíjecí stanici, abyste zjistili, zda může být plně nabita 2. Příliš vysoký nabíjecí proud 3. Příliš dlouhá doba nabíjení 4. Napětí baterie příliš vysoké nebo příliš nízké
E13	Chyba nabíjení	Vadný nabíječ
E14	Aktuální mapová oblast je příliš velká a přesahuje maximální pracovní oblast podporovanou robotem	Vytvořte novou mapu v rámci jmenovité kapacity produktu
E15	Chyba motoru zadního kola/řídícího motoru	Chyba motoru zadního kola/řízení
E16	Porucha motoru pro zdvihání	Motor zdvihu je zaseknutý
E17	Nelze najít nabíjecí stanici	Jak vyřešit chybu "Selhání při dokování na nabíjecí stanici během dobíjení"?
E18	Slabá baterie	Stroj nemusí být schopen se vrátit na nabíjecí stanici pro normální nabíjení kvůli nějaké chybě. Ručně jej přemístěte na nabíjecí stanici pro nabíjení
E19	Selhání připojení	1. Na zadní části stroje jsou 4 QR kódy, a při přidávání stroje je třeba vybrat první QR kód. 2. Potvrďte, zda je Bluetooth na telefonu zapnuté a zda je do 1 metru od stroje. 3. Zadali jste správné spouštěcí heslo, které je ve výchozím nastavení 0000 4. Je wifi 2.4GHz? 5. Je heslo k WiFi správné?

Chybový Kód	Význam	Možná příčina
E21	Inicializace RTK selhala	1. Zkontrolujte, zda je základní stanice správně nainstalována a zda nejsou žádné překážky. 2. Zkontrolujte, zda stroj není blokován 3. Zkontrolujte, zda neexistují žádné velké překážky blokující signál mezi základní stanicí a strojem
E22	Chyba přední kamery	Potvrďte, zda je kamera blokována
E23	Chyba prázdné mapy	Před spuštěním vytvořte mapu
E24	Ztráta signálu základní stanice RTK	1. Zkontrolujte, zda je základní stanice zapnutá. 2. Zkontrolujte, zda je základní stanice správně nainstalována Jak nainstalovat stanici RTK 3. Zkontrolujte, zda není základní stanice blokována překážkou mezi stanicí a strojem 4. Zkuste se znovu připojit k základní stanici
E25	Selhání mapování	1. Potvrďte, zda je mapa uzavřená 2. Potvrďte, zda má stroj dobré wi-fi připojení
E26	Selhání kalibrace RTK	Jak vyřešit chybu "Selhání kalibrace RTK"?
EE	Je potřeba podpora dealera	1. Špatný kontakt bateriové desky 2. Vada zobrazovací desky 3. Vada hraniční desky 4. Abnormalita multifunkční desky 5. Vada hardwaru 6. Další chyby
BP	Chyba teploty baterie	1. Potvrďte, zda není okolní teplota příliš vysoká 2. Potvrďte, zda není okolní teplota příliš nízká
LOCK	Zamčeno. Zkuste to znovu po 10 minutách.	1. Zadejte správné heslo 2. Pokud jste zapomněli heslo, můžete jej resetovat na 0000 resetováním továrního nastavení prostřednictvím aplikace 3. Pokud mobilní aplikace není připojena ke stroji, obraťte se na zákaznický servis
STOP	Manuální zastavení	Stisknuto tlačítko STOP

Pokyny, jak postupovat v případě abnormálních vibrací:

- A. Vypněte stroj.
- B. Otočte stroj o 180 stupňů.
- C. Zkontrolujte stav čepelí na poškození nebo poruchu.
- D. Doporučuje se vyměnit všechny tři čepele.
- E. Otočte stroj zpět a začněte pracovat.

7.2 Řešení problémů

Pokud narazíte na jakékoli problémy související s produktem nebo aplikací, běžné otázky a problémy, prohlédněte si články FAQ na oficiálních webových stránkách Sunseeker (<https://support.sunseeker-elite.com>) nebo v sekci "Pomoc a zpětná vazba" v aplikaci.

8. Důležité informace

8.1 Ochrana Dat

Zpracování osobních údajů v rámci Platformy X

• Kdo a proč?

Když se zaregistrujete a používáte Platformu X od Sunseeker, Sunseeker (nebo „my“) jako správce bude zpracovávat vaše osobní údaje. Vaše osobní údaje budeme zpracovávat za účelem:

1. Poskytnutí připojení k Platformě X nebo nabídky takové služby. Právním základem je, že zpracování je nezbytné pro plnění smlouvy, kterou jste s námi uzavřeli, nebo pro podniknutí kroků před uzavřením smlouvy s námi.
2. Další rozvoj a zdokonalení našich produktů a služeb. Právním základem je naši legitimní zájem na rozvoji a zdokonalování našich produktů a služeb.
3. Umožnění konektivity Platformy X (Internet věcí); použití partnerských integrací (například chytrých asistentů, včetně hlasově ovládaných zařízení); použití konektivních platform pro připojení Platformy X k zařízením, aplikacím a službám třetích stran; a vytvoření vlastní integrace chytrého domova. Právním základem je, že zpracování je nezbytné pro plnění smlouvy, kterou jste s námi uzavřeli.
4. Poskytování relevantních informací souvisejících s vašimi zkušenostmi s Platformou X. Právním základem je náš legitimní zájem vás informovat o vašich specifických produktech a službách a jejich funkcích.
5. Poskytování podpory a řešení problémů týkajících se Platformy X. Právní základ je, že zpracování je nezbytné pro plnění smlouvy, kterou jste s námi uzavřeli.

Pokud jste nám dali svůj souhlas (v takovém případě je právním základem váš souhlas), můžeme také zpracovávat vaše osobní údaje pro následující účely:

1. Zasílání přizpůsobené reklamy a newsletterů o našich produktech a službách.
2. Zasílání zákaznických průzkumů a analýza vašich odpovědí, jak je podrobněji uvedeno v takové komunikaci.

Vaše údaje budou zpracovávány tak dlouho, jak je Sunseeker vyžaduje pro splnění výše uvedených účelů, ale za žádných okolností déle, než dovolují příslušné zákony.

• Jaké osobní údaje zpracováváme?

Můžeme zpracovávat následující osobní údaje:

1. Osobní údaje: jméno a příjmení, národnost, jazykové preference;
2. Kontaktní údaje: emailová adresa, poštovní adresa;
3. Informace o účtu: stáří účtu, heslo, číslo účtu;
4. Další údaje související s vaší Platformou X: název sekačky, párovací jména, akce spouštěné prostřednictvím použití partnerských integrací a informace o zařízení.

• Použití údajů o poloze

Některé naše služby fungují pouze, pokud můžeme určit polohu vaší sekačky (např. zobrazení počasí). Když s námi sdílíte polohu vaší sekačky, údaje jsou uloženy jako součást vašeho profilu a mohou být zasílány třetím stranám v pseudonymizované formě za účelem poskytování relevantní služby (např. pro parkování sekačky v případě silného deště).

8.2 Omezená Záruka

Omezená záruka

Nabízíme 2letou záruku. Před zahájením reklamace záruky vás důrazně žádáme, abyste nejprve zkontrolovali sekci FAQ a řešení problémů v uživatelské příručce. Náš specializovaný zákaznický servis je také zde, aby vám pomohl. Pro zahájení reklamací záruky poskytněte důkaz o nákupu, včetně platného účtenky zobrazující datum a místo nákupu.

Naše záruka nezahrnuje:

Části, které jsou předmětem běžného opotřebení, jako jsou zemní kolíky, řezací disky a baterie.

8.3 Prohlášení o Zřeknutí se Odpovědnosti

Zákazníkům poskytujeme servis po prodeji, s výjimkou následujících okolností:

1. Poškození způsobené faktory, které nejsou výrobními faktory, včetně, ale nikoli omezeně na, chyby uživatele.
2. Poškození způsobené neautorizovanou úpravou, demontáží nebo otevřením krytu v rozporu s oficiálními pokyny nebo manuály.
3. Poškození způsobené nesprávnou instalací, nesprávným používáním nebo provozem v rozporu s oficiálními pokyny nebo manuály.
4. Poškození způsobené neautorizovaným servisním střediskem.
5. Poškození způsobené neautorizovanou úpravou obvodů a/nebo nesprávným použitím nebo zneužitím baterie a nabíječky.
6. Poškození způsobené uživateli, kteří nedodržují pokyny a doporučení manuálu.
7. Poškození způsobené provozem v nepříznivých podmínkách trávníku (např. velké oblasti louží, když nejsou správně nastaveny omezené oblasti, lokality s hojností kamenů pokrývajících povrch trávníku atd.)
8. Poškození způsobené provozem produktu v prostředí s elektromagnetickým rušením, včetně těžebních oblastí nebo blízkosti vysílacích věží, vysokonapěťových vedení, rozvodných stanic atd.
9. Poškození způsobené provozem produktu v prostředí s rušením od jiných bezdrátových zařízení, jako jsou vysílače, videolinky, signály Wi-Fi atd.

10. Poškození způsobené spolehlivostními nebo kompatibilitními problémy při používání neautorizovaných dílů třetích stran.

11. Poškození způsobené provozem jednotky s nedobitou nebo vadnou baterií.

12. Poškození způsobené nepředvídatelnými faktory, jako jsou autonehody, útoky divokých zvířat, povodně atd.

Tento obsah je předmětem změn bez předchozího upozornění.

Prohlášení FCC

Toto zařízení je v souladu s částí 15 pravidel FCC. Provoz je podmíněn následujícími dvěma podmínkami: (1) toto zařízení nesmí způsobovat škodlivé rušení a (2) toto zařízení musí přijímat veškeré přijaté rušení, včetně rušení, které může způsobit nežádoucí provoz. Změny nebo úpravy, které nebyly výslovně schváleny stranou zodpovědnou za dodržování, mohou zrušit oprávnění uživatele k provozu zařízení.

POZNÁMKA

Toto zařízení bylo testováno a bylo zjištěno, že splňuje limity pro digitální zařízení třídy B, podle části 15 pravidel FCC. Tyto limity jsou navrženy tak, aby poskytovaly rozumnou ochranu proti škodlivému rušení při instalaci v obytných prostorech. Toto zařízení generuje, používá a může vyzařovat radiofrekvenční energii a, pokud není nainstalováno a používáno v souladu s návodem, může způsobit škodlivé rušení rádiových komunikací. Nicméně, není zaručeno, že rušení nenastane v konkrétní instalaci. Pokud toto zařízení způsobí škodlivé rušení rádiového nebo televizního příjmu, které lze zjistit zapnutím a vypnutím zařízení, uživatel by měl zkuste odstranit rušení jedním nebo více následujících opatření:

- Přeorientoval nebo přemístil přijímací anténu.
- Zvětšil vzdálenost mezi zařízením a přijímačem.
- Připojil zařízení do zásuvky na obvodu, který je odlišný od toho, ke kterému je připojen přijímač.
- Poradil se s prodejcem nebo zkušeným rádiovým/televizním technikem o pomoc.
- Aby splnil požadavky FCC na RF expozici, měla by být udržována vzdálenost 20 cm nebo více mezi anténou tohoto zařízení a osobami během provozu zařízení. Pro zajištění souladu se nedoporučuje provoz blíže než na tuto vzdálenost.

VAROVÁNÍ pro baterii tlačítkového nebo mincovního typu:

- a) Vyjměte a okamžitě recyklujte nebo zlikvidujte použité baterie podle místních předpisů a udržujte je mimo dosah dětí.
- b) Nelikvidujte baterie v domácím odpadu nebo je nespaloř.
- c) Dokonce i použité baterie mohou způsobit vážné zranění nebo smrt.

d) V případě potřeby zavolejte místní toxikologické centrum pro informace o léčbě.

e) Typ baterie: CR2032

f) Jmenovité napětí: 3.0 Vdc.

g) Neakumulátorové baterie se nesmí dobíjet.

h) Nedovolte vybití, dobíjení, rozebrání, zahřívání nad (teplotu specifikovanou výrobcem) nebo spalování. Děláním tak může způsobit zranění kvůli uvolňování plynu, úniku nebo explozi, což má za následek chemické popáleniny.

i) Produkt obsahuje nevyměnitelnou baterii tlačítkového typu.



Prohlášení o shodě EC

My,
Zhejiang Sunseeker Industrial Co., Ltd.
988 Jinde Rd. Jiangdong Industrial Park, Jinhua, Zhejiang 321000 P.R. ČÍNA

prohlašujeme a přebíráme zodpovědnost, že produkt:

Značka: SUNSEEKER

Název produktu: Robotická sekačka na trávu

Model: RMX1600L20V, RMX2000L20V, RMX2500L20V, RMX1602N20V, RMX2002N20V, RMX2502N20V

Předmět prohlášení popsaný výše je v souladu s následujícími směrnici EU:

1. Směrnice o radiotelekomunikačním zařízení (2014/53/EU)
2. Směrnice o strojním zařízení (2006/42/ES)
3. Směrnice RoHS (2011/65/EU) a pozměňující směrnice ((EU)2015/863)
4. Směrnice o hluku (příloha III směrnice 2000/14/ES, jak byla pozměněna směrnicí 2005/88/ES)
- Deklarovaná úroveň zvukového tlaku LpA: 52 dB (A), Nejistoty zvukového tlaku KpA: 3 dB (A)
- Deklarovaná garantovaná úroveň zvukového výkonu: 60 dB (A), Nejistoty zvukového výkonu KWA: 3 dB (A)

Shoda s těmito směrnici byla posouzena pro tento produkt prokázáním shody s následujícími harmonizovanými normami a/nebo technickými specifikacemi:

EN 50636-2-107: 2015+ A1: 2018+ A2: 2020+A3: 2021

EN 60335-1:2012+A11:2014+A13:2017+ A1:2019 + A2:2019+ A14:2019+A15:2021

EN IEC 55014-1:2021

EN IEC 55014-2:2021

EN IEC 61000-3-2:2019+A1:2021

EN 61000-3-3:2013+A1:2019+A2:2021

EN 301 489-1 V2.2.3

EN 301 489-3 V2.3.2

EN 301 489-17 V3.2.4

EN 301 489-19 V2.2.1

EN 301 489-52 V1.2.1

EN 301 511 V12.5.1

EN 301 908-1 V15.2.1

EN 301 908-13 V13.2.1

EN 303 413 V1.2.1

EN 300 220-2 V3.1.1

EN 300 328 V2.2.2

EN 62311:2008

EN IEC 62311:2020

EN 62321-1:2013

EN IEC 62321-2:2021

EN 62321-3-1:2014

EN 62321-8:2017

EN 62321-4:2014 /A1:2017

EN 62321-5:2014

EN 62321-7-1:2015

EN 62321-7-2:2017

EN 62321-6:2015

EN 62321-8:2017

EN ISO 11094:1991

EN ISO 3744:1995

EN ISO 3744:2010

Informace o Expozici RF

Toto zařízení bylo testováno a splňuje platné limity pro expozici radiofrekvencí (RF).

Toto zařízení musí být instalováno a provozováno v souladu s poskytnutými pokyny a anténa(y) používané pro tento vysílač musí být instalovány tak, aby poskytovaly oddělovací vzdálenost alespoň 20 cm od všech osob a nesmí být umístěny společně s jinou anténou nebo vysílačem.

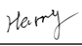
Podepsáno za a jménem: Zhejiang Sunseeker Industrial Co., Ltd.

Místo: Jinhua, Zhejiang P.R. ČÍNA

Datum: 09-07-2024

Název: Harry Ran

Titul: Hlavní inženýr

Podpis: 

Tartalom- jegyzék

1. Biztonság és szabályok	268
1.1 Általános	268
1.2 Általános biztonsági utasítások	268
1.3 Biztonsági utasítások a telepítéshez	269
1.4 Biztonsági utasítások a napi üzemeltetéshez	270
1.5 Biztonsági utasítások a karbantartáshoz	270
1.6 Akkumulátorbiztonság	270
2. Szimbólumok és matricák	270
3. Tartalom és specifikáció	271
3.1 A doboz tartalma	271
3.2 Alkatrészek és funkciók	272
4. Telepítés	274
4.1 Előkészületek	275
4.2 A töltőállomás telepítése	275
4.3 Az RTK-bázisállomás telepítése	275
4.4 A fűnyíró töltése és aktiválása	276
4.5 Applikációhoz történő csatlakoztatás	277
5. Napi üzemeltetés	278
5.1 A fűnyíró kijelzője és vezérlése	278
5.2 A PIN-kód módosítása	278
5.3 IoT	279
5.4 Akadályok kikerülése	279
6. Karbantartás	280
6.1 Tisztítás	280
6.2 A kések cseréje	281
6.3 Szállítás	282
6.4 Akkumulátor	282
6.5 Tápellátás	283
6.6 Tárolás	283
6.7 Újrahasznosítás és az élettartam végi ártalmatlanítás	284
7. GYIK és hibaelhárítás	285
7.1 Hibaüzenet	285
7.2 Hibaelhárítás	286
8. Fontos információk	287
8.1 Adatvédelem	287
8.2 Korlátozott garancia	287
8.3 Felelősségi nyilatkozatok	287

1. Biztonság és szabályok

1.1 Általános

FONTOS

HASZNÁLAT ELŐTT FIGYELMESEN OLVASSA EL ŐRIZZE MEG A KÉSŐBBI HASZNÁLATRA

Rendeltetésszerű használat

A jelen kertészeti termék kizárólag fűnyírásra – a nap bármely szakában történő automatikus kerti fűnyírásra – szolgál. A rendeltetésszerű használaton túli bármely használat veszélyeket rejthet magában, amelyek személyi sérüléseket és/vagy anyagi károkat okozhatnak. A biztonság fenntartása és a balesetek megelőzése érdekében okvetlenül és szigorúan tartsa be az itt meghatározott irányelveket.

Nem rendeltetésszerű használat

A jelen kertészeti terméket gyermekek és csökkent fizikai, érzékszervi vagy szellemi képességekkel rendelkezők nem használhatják, illetve tapasztalat és ismeretek hiányában nem használható, kivéve, ha a termék használója annak használatára vonatkozóan felügyeletet vagy utasítást kapott a biztonságáért felelős személytől.

A nem rendeltetésszerű használat a következőket foglalja magában, a teljesség igénye nélkül: embereknek, gyermekeknek vagy állatoknak a gépen történő szállítása; a gép által történő szállítás; a gépnek terhek húzására vagy tolására történő használata; illetve a gép nem fűnövényzet vágására történő használata.

Fennmaradó kockázatok – A sérülések elkerülése érdekében viseljen védőkesztyűt és szemüveget a karbantartás vagy a kések cseréje során.

Ne hosszabbítsa meg a kábelt a tápegység és a töltőállomás között.



FIGYELMEZTETÉS

- Ne érintse meg a veszélyes, mozgó alkatrészeket, amíg azok teljesen meg nem állnak.
- Tartsa a tápkábelt, a tápegységet, a hosszabbítót és minden más, nem a termékhez tartozó elektromos kábelt a vágási területen kívül, hogy megőrizze távolságukat a veszélyes, mozgó alkatrészekről, és megelőzze a feszültség alatt álló alkatrészekkel érintkező kábelek sérülését. Fennáll a kezelő vagy a közelben tartózkodók sérülésének vagy halálának veszélye, ha nem tartják be a kézikönyvben szereplő utasításokat.
- Automata fűnyírógép Tartsa a géptől távolságot! A gyermekek felügyelete kötelező!
- Minden figyelmeztetést és utasítást őrizzen meg későbbi használatra.
- Olvassa el a termékhez mellékelt összes biztonsági figyelmeztetést, utasítást, ábrát és műszaki leírást. Az alábbiakban felsorolt bármely utasítás be nem tartása áramütést, tüzet és/vagy súlyos sérülést okozhat.

1.2 Általános biztonsági utasítások

A munkaterület biztonsága

A. Ne üzemeltesse a gépet robbanásveszélyes környezetben, például gyúlékony folyadékok, gázok vagy por jelenlétében. A gépek szikrákat hoznak létre, amelyek meggyújthatják a port vagy a füstöt.

B. Olvassa el figyelmesen az utasításokat. Ismerje meg a gép vezérlését és megfelelő használatát.

C. Soha ne engedje, hogy az utasításokat nem ismerő személyek vagy gyermekek használják a gépet. A helyi előírások korlátozhatják a kezelő életkorát.

D. A kezelő vagy a felhasználó felelős a balesetekért vagy a más személyeket vagy azok tulajdonát fenyegető veszélyekért.

Elektromos biztonság

A. A hálózati csatlakozónak illeszkednie kell a konnektorhoz. Soha ne módosítsa a csatlakozódugót semmilyen módon. Ne használjon semmilyen töltőcsatlakozót földelt készülékkel. A nem módosított csatlakozódugók a hozzájuk illő konnektorokkal való használata csökkenti az áramütés kockázatát.

B. Kerülje a földelt felületekkel, például csövekkel, radiátorokkal, tűzhelyekkel vagy hűtőszekrényekkel való érintkezést. Megnövekszik az áramütés veszélye, ha a teste földelt.

C. Ne ejtsen kárt a tápkábeleken. Soha ne használja a tápkábelt arra, hogy azzal emelje, húzza vagy áramtalanítsa a gépet. Tartsa a tápkábeleket hőtől, olajtól, éles szélektől vagy mozgó alkatrészekről távol. A sérült vagy összegabalyodott tápkábelek növelik az áramütés veszélyét.

D. Ha elkerülhetetlen, hogy egy hálózatról táplált készüléket nedves helyen üzemeltessen, használjon áramvédőkapcsolóval (RCD) felszerelt áramforrást. Az RCD használata csökkenti az áramütés veszélyét.

E. Gondoskodjon az automatikus határolórendszer előírás szerű telepítéséről.

F. Rendszeresen ellenőrizze a területet, ahol a gépet használni kívánja, és távolítsa el minden követ, botot, vezetékét, csontot és egyéb akadályt.

G. Rendszeresen ellenőrizze a késeket, a kés csavarjait és a vágószerkezetet kopás és sérülés szempontjából. A kopott vagy sérült késeket és csavarokat az egyensúly megőrzése érdekében készletekben cserélje.

H. A többfejű gépeknél ügyeljen arra, hogy az egyik kés forgatása következtében a többi kés is forgásnak indulhat.

Személyi biztonság

A. Ne engedje, hogy a gépet vagy a jelen utasításokat nem ismerő személy kezelje a gépet. A gépek képzetlen felhasználók kezében veszélyesek.

B. Legyen éber, figyeljen arra, hogy mit csinál, és használja a józan eszét a gép üzemeltetésekor. Ne használja a gépet fáradtan, illetve kábítószer, alkohol vagy gyógyszer hatása alatt. Egy pillanatnyi figyelmetlenség a gép üzemeltetése közben súlyos személyi sérülést okozhat.

C. A gép üzemeltetése előtt távolítsa el a beállítókulcsot vagy csavarkulcsot. A gép forgó részéhez rögzítve hagyott csavarkulcs vagy beállítókulcs személyi sérülést okozhat.

D. A gép kézi irányításakor mindig figyeljen az egyensúlyára és arra, hogy a lábát megfelelő távolságban tartsa. Ez lehetővé teszi a gép jobb irányítását váratlan helyzetekben.

E. Ne engedje, hogy a gépek gyakori használatából eredő ismerete lehetővé tegye, hogy munkavégzése rutinszerűvé váljon, és figyelmen kívül hagyja a gép biztonsági elveit. Egy óvatlan mozdulat a másodperc töredéke alatt súlyos sérülést okozhat.

A gép használata és gondozása

A. Húzza ki a csatlakozódugót az áramforrásból és/vagy vegye ki az akkumulátort (ha kivehető) a gépből vagy más eszközökből, mielőtt bármilyen beállítást végez, tartozékot cserél, vagy tárolás előtt. Az ilyen megelőző biztonsági intézkedések csökkentik a nem szándékos beindítás kockázatát.

B. Végezzen rendszeres karbantartást a gépeken és tartozékokon. Ellenőrizze, hogy a mozgó alkatrészek nem illeszkednek-e rosszul vagy nem szorulnak-e, nincsenek-e törött alkatrészek, és minden más olyan körülményt, amely befolyásolhatja a gép működését. Károsodás esetén használat előtt javíttassa meg a gépet. A rosszul karbantartott gépek és tartozékok sok balesetet okoznak.

C. Használja a gépet és tartozékait ezen utasításoknak megfelelően, figyelembe véve a munkakörülményeket és az elvégzendő munkát. A gépnek a rendeltetéstől eltérő műveletekre történő használata veszélyes helyzetet eredményezhet.

D. Soha ne üzemeltesse a gépet sérült védőburkolattal vagy biztonsági eszközök nélkül.

E. Ne tegye a kezét vagy lábát a forgó alkatrészek közelébe vagy azok alá. Mindig tartson távolságot az üritőnyílástól.

F. A motor működése közben soha ne emelje fel vagy vigye arrébb a gépet.

G. Aktiválja a készülékzárát/állítsa a gépet „LOCK” állásba - mielőtt az eltömődéseket elhárítaná;
- a gép ellenőrzése, tisztítása vagy a gépen végzett munka előtt.

H. Ne hagyja a gépet felügyelet nélkül üzemelni, ha tudja, hogy a közelben háziállatok, gyermekek vagy emberek tartózkodnak.

Szerviz

A. A gépet csak azonos cserealkatrészek felhasználásával, képzett szakemberrel szervizeltesse. Ezzel biztosítja a gép biztonságának megőrzését.

B. Tartsa szorosan az összes anyát, csapszeget és csavart, hogy megőrizze a gép biztonságos üzemállapotát.

C. Rendszeresen ellenőrizze a fűgyűjtőt, hogy nem kopott-e és nem romlott-e el.

D. A biztonság érdekében cserélje ki a kopott vagy sérült alkatrészeket.

E. Gondoskodjon a megfelelő kések cseréjéről.

F. Gondoskodjon róla, hogy az akkumulátorokat a gyártó által ajánlott, megfelelő töltővel töltsen. A helytelen használat áramütést, túlmelegedést vagy maró folyadék szivárgását eredményezheti az akkumulátorból.

G. Elektrolitszivárgás esetén öblítse le az érintett felületet vízzel/neutralizálószerrel, forduljon orvoshoz, ha szembe kerül stb.

H. A gép szervizelését a gyártó utasításai szerint kell elvégezni.

Az AKKUMULÁTOR használata és kezelése

A. Csak a gyártó által előírt töltővel töltsen. Az egyes AKKUMULÁTOR-típusokhoz alkalmas töltők tűzveszélyt okozhatnak, ha másféle AKKUMULÁTOR-típussal használják őket.

B. Csak a kifejezetten a gépe AKKUMULÁTOR-csomagjához kijelölt töltőegységeket használja. Bármely más AKKUMULÁTOR-csomag használata sérülés- és tűzveszélyt okozhat.

C. Amikor az AKKUMULÁTOR-csomag használaton kívül van, tartsa távol más fémtárgyaktól, például gemkapcsoktól, érméktől, kulcsoktól, szögektől, csavaroktól vagy más apró fémtárgyaktól, amelyek kapcsolatot teremthetnek a pólusok között. Az AKKUMULÁTOR-pólusok rövidzárlata égési sérüléseket vagy tüzet okozhat.

D. Károsító erőhatás kifejtése esetén folyadék lövellhet ki az AKKUMULÁTORBÓL; kerülje az érintkezést. Véletlen érintkezés esetén öblítse le vízzel. Ha a folyadék szembe kerül, forduljon orvoshoz. Az AKKUMULÁTORBÓL kilövellő folyadék irritációt vagy égési sérüléseket okozhat.

E. Ne használjon sérült vagy módosított AKKUMULÁTOR-csomagot vagy -eszközt. A sérült vagy módosított akkumulátorok kiszámíthatatlan reakciókat idézhetnek elő, ami tüzet, ROBBANÁST vagy sérülésveszélyt okozhat.

F. Ne tegye ki az AKKUMULÁTOR-csomagot vagy -eszközt tűznek vagy túl magas hőmérsékletnek. Tűznek vagy 130 °C feletti hőmérsékletnek való kitétel robbanást okozhat.

G. Kövesse az összes, töltésre vonatkozó utasítást, és ne töltsen az AKKUMULÁTOR-csomagot vagy -eszközt a használati utasításban megadott hőmérsékleti tartományon kívül. A nem megfelelő, vagy a megadott tartományon kívüli hőmérsékleten történő töltés károsíthatja az AKKUMULÁTOR-t és növelheti a tűzveszélyt.

1.3 Biztonsági utasítások a telepítéshez

A. Ne telepítse a töltőállomást, beleértve a tartozékokat is, olyan helyre, amely éghető anyag alatt vagy attól 61 cm távolságon belül van. Meghibásodás esetén a töltőállomás és a tápegység felmelegedhet, ami potenciálisan tűzveszélyt okozhat.

B. Ne helyezze a tápegységet olyan magasságba, ahol fennáll a vízbe kerülés veszélye. Ne tegye a tápegységet a földre.

C. Ne burkolja be a tápegységet. A kondenzvíz károsíthatja a tápegységet, és növelheti az áramütés veszélyét.

D. Az USA-ban/Kanadában alkalmazandó. Ha a tápegységet kültéren telepítik: Áramütés veszélye. Csak olyan fedett, A-osztályú GFCI-csatlakozóaljzatra (RCD) szerelje, amely időjárásálló burkolattal rendelkezik, és hozzáférést biztosít a csatlakozódugó-fedél behelyezéséhez és eltávolításához.

E. Ne telepítse a töltőállomást olyan helyre, ahol fennáll az állóvíz kialakulásának veszélye.

1.4 Biztonsági utasítások a napi üzemeltetéshez

- A.** Tartsa távol kezeit és lábait a forgó késektől. Ne tegye kezét vagy lábát a termék közelébe vagy az alá, amikor az ON (bekapcsolt) állapotban van.
- B.** Használja a Park üzemmódot, vagy állítsa a terméket OFF (kikapcsolt) állapotba, ha személyek, különösen gyermekek vagy állatok tartózkodnak a munkaterületen.
- C.** Győződjön meg róla, hogy a gyepen nincsenek tárgyak, például kövek, ágak, szerszámok vagy játékok. A kések megsérülhetnek, ha tárgyakhoz ütköznek.
- D.** Ne emelje fel a terméket, és ne mozgassa azt, amikor ON (bekapcsolt) állapotban van.
- E.** Ne hagyja, hogy a termék személyekkel vagy állatokkal ütközzön. Ha egy személy vagy állat kerül a termék útjába, azonnal állítsa le a terméket.
- F.** Ne helyezzen tárgyakat a termék vagy a töltőállomás tetejére.
- G.** Ne használja a terméket, ha a STOP gomb nem működik.
- H.** Mindig állítsa a terméket OFF (kikapcsolt) állapotba, ha az nem üzemel.
- I.** Ne használja a terméket süllyesztett öntözőrendszerrel egyidőben. Használja az ütemezés funkciót.
- J.** Ne működtesse a terméket, ha a munkaterületen áll a víz, például olyan területen, ahol heves esőzést követően pocsolyák keletkeznek.

1.5 Biztonsági utasítások a karbantartáshoz

- A.** Állítsa a terméket OFF (kikapcsolt) állapotba, amikor karbantartást végez a terméken.
- B.** Ne használjon nagynyomású mosóberendezést a termék tisztításához. Ne használjon oldószereket a termék tisztításához.
- C.** Húzza ki a csatlakozódugót a töltőállomásból, mielőtt a töltőállomáson tisztítást vagy karbantartást végez.

1.6 Akkumulátorbiztonság

A lítiumion-akkumulátorok felrobbanhatnak vagy tüzet okozhatnak, ha szétszerelik, rövidre zárják, vagy víznek, tűznek vagy magas hőmérsékletnek teszik ki őket. Kezelje óvatosan, ne szedje szét és ne nyissa fel az akkumulátort, illetve ne fejtse ki rá semmilyen károsító elektromos/mechanikai erőhatást. Kerülje a közvetlen napfényen való tárolást.

2. Szimbólumok és matricák







E szimbólumok a terméken találhatóak. Kérjük, figyelmesen olvassa el őket.

	FIGYELMEZTETÉS: A termék üzemeltetése előtt olvassa el a használati utasítást.
	FIGYELMEZTETÉS: Kapcsolja ki a terméket, mielőtt a gépen dolgozna vagy azt megemelné. Soha ne érintse meg a forgó kést.
	FIGYELMEZTETÉS: Üzemeltetés közben tartson biztonságos távolságot a géptől. Tartson távol más személyeket is a veszélyzónától.
	FIGYELMEZTETÉS: Ne üljön fel a gépre.
	Használjon levehető tápegységet a szimbólum melletti besorolási címkén meghatározottak szerint.
	CE-megfelelőségi jel.
	Az európai kültéri zajvédelmi irányelv által meghatározott hangteljesítményszint. A termék károsanyag-kibocsátása megtalálható a műszaki adatoknál az 6. oldalon és az adattáblán.
	A terméket ne normál háztartási hulladékként ártalmatlanítsa. Gondoskodjon arról, hogy a termék a helyi jogszabályi előírásoknak megfelelően kerüljön újrahasznosításra.
	III. osztály
	DC

Szimbólumok az akkumulátoron

	Olvassa el a használati utasítást.
	Ne dobja az akkumulátort tűzbe, és ne tegye ki hóforrásnak.
	Ne merítse az akkumulátort vízbe.
	Újrahasznosíthatósági jelölés.
	Ezt az akkumulátorcsomagot nem szabad normál háztartási hulladékként ártalmatlanítani. Gondoskodjon arról, hogy az akkumulátorcsomag a helyi jogszabályi előírásoknak megfelelően legyen újrahasznosítva.

Szimbólumok a töltőn

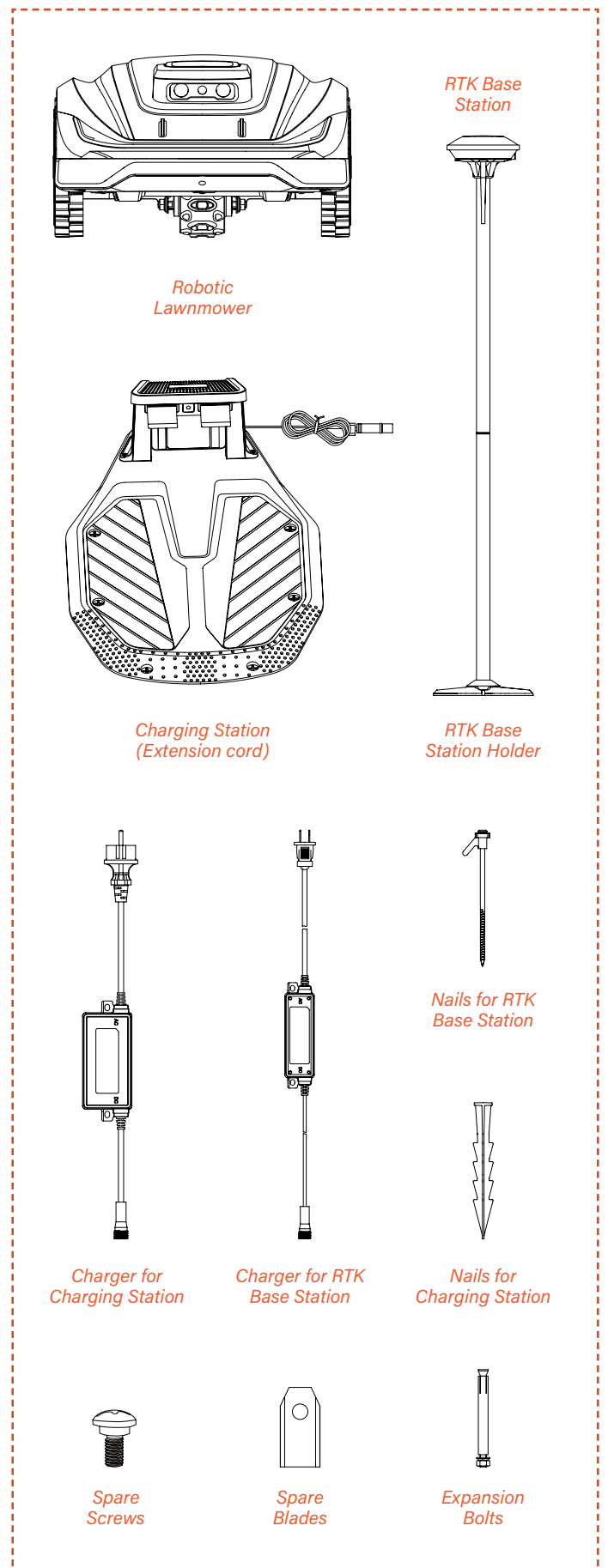
	Olvassa el a használati utasítást.
T3.15A 	Cserélje ki a névleges értéknek megfelelő biztosítékkal.
T2A 	Cserélje ki a névleges értéknek megfelelő biztosítékkal.
	II. osztályú konstrukció.
 	Ne háztartási hulladékként ártalmatlanítsa! Külön gyűjtőhelyre kell küldeni hasznosítás és újrahasznosítás céljából, a helyi jogszabályi előírásoknak megfelelően.

Szimbólumok a robot képernyőjén

	Be-/kikapcsolás
	Start gomb
	Kezdőlap (Home) gomb
	Ok gomb
	PIN-kód beállítása
	Idő beállítása
	Bluetooth
	Wifi

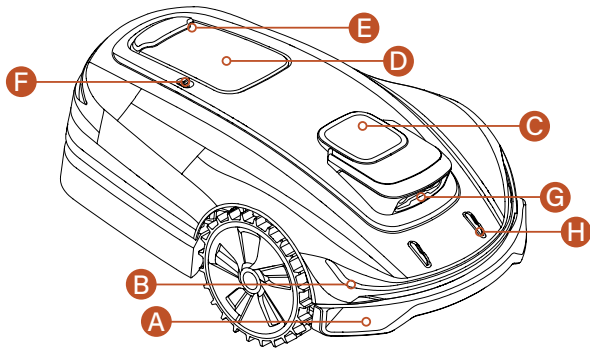
3. Tartalom és specifikáció

3.1 A doboz tartalma

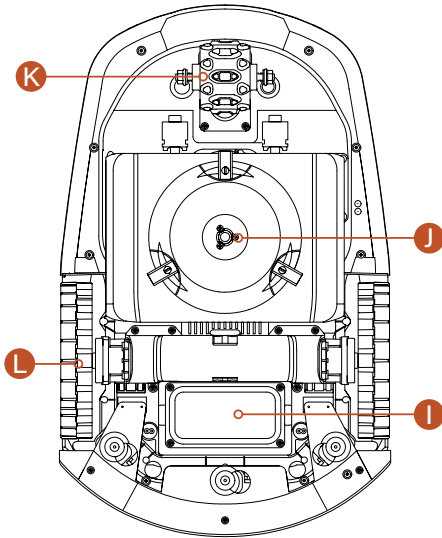


3.2 Alkatrészek és funkciók

Felülnézet



Alulnézet



I – Akkumulátortartó – Az akkumulátor tárolására szolgáló rekesz.

J – Forgó-vágóasztal – A gép működése közben a gyepréteg nyírására szolgáló eszköz.

K – Kerékagymotor – Kiváló kormányzó-vezérlő eszköz és a működéshez szükséges áramforrás.

L – Hajtókerekek – A mozgáshoz szükséges erőforrás, kiváló terepjáró képességekkel.

MEGJEGYZÉS

Ne merítse a gépet vízbe, mert az károsíthatja az alkatrészeket, és a megadott idő előtt érvénytelenítheti a garanciát.

A – Ütköző lökhárító – Ha a vizuális pozicionálás nem áll rendelkezésre, az ütköző lökhárító biztosíthatja a gép normál működését.

B – LED fények – A fűnyírógépen található különböző, interakcióban álló LED fények jelzik a gép működési állapotát.

C – RTK-pozicionáló antenna – Interaktív pozicionáló eszköz az RTK-bázisállomás, a gép és a műholdak számára.

D – Vezérlőpanel – A gép be- és kikapcsolására, a gép munkára küldésére vagy visszatérésre való utasítására stb. szolgáló panel.

E – STOP gomb – Vészleállító gomb a gép leállítására bármilyen sürgős helyzet esetén.

F – Esőérzékelő – Az esőérzékelő érzékeli az esőt, és a gép a felhasználó beállításának megfelelően automatikusan visszatérhet a töltőállomásra, hogy elkerülje azt.

G – Binokuláris kamera – Az MI-támogatott binokuláris kamera segít a fűnyírónak felismerni és kikerülni az akadályokat.

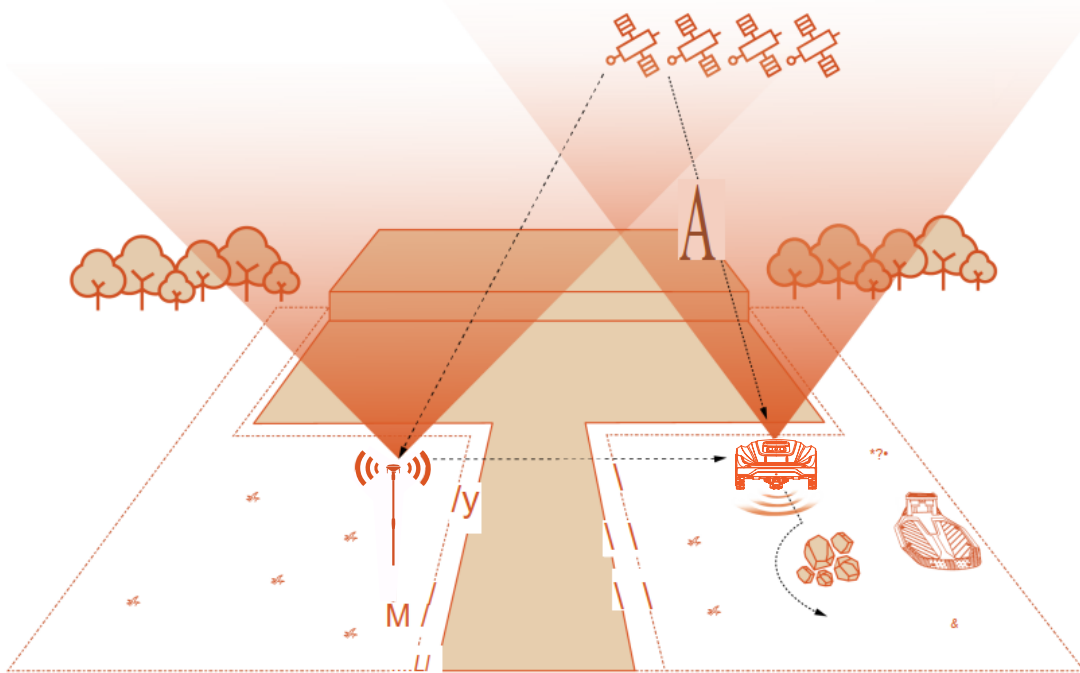
H – Töltőelektrodák – A gépen lévő töltőelektrodák csatlakoznak a töltőállomás elektrodáihoz a gép akkumulátorának töltéséhez.

3.3 Specifikációk

MŰSZAKI SPECIFIKÁCIÓK	X5-2000 RMX2000L20V
Határoló huzal	Vezeték nélküli/határoló huzal nélküli
Max. fűnyírési terület	2000 m ²
Nyírásmagasság min/max	20-60mm
Magasságbeállítás	Manual
Nyírásszélesség	22 cm
Akkumulátorkapacitás	5 Ah
Felhasználói felület	App- és billentyűzet-kijelző
Maximális meredekség	30° (60%)
A robot méretei	680*420*275 cm
Tanúsítványok	CE RoHS
Nettó súly	11.8 kg
Hangteljesítményszint LWA	60 dB (A)
Hangteljesítmény-bizonytalanság KWA	3 dB (A)
Hangnyomásszint LpA	52 dB (A)
Hangteljesítmény-bizonytalanság KpA	3 dB (A)
JELLEMZŐK	
Wifi/Bluetooth	▪
Intelligens feltérképezés	▪
Menetvonal-tervezés	3 opció
VSLAM	▪
Szuper-wifi	▪
FOTA	▪
Gyors visszatérés a töltőállomásra	▪
AWD (összkerékajtott) kerekek	3 kerék
Kerttérkép az appon	▪
Multi-zónák	Legfeljebb 8
Működési ütemezés (appban beállítva)	Automatikus vagy kézi beállítás az appon keresztül
Ütközésérzékelő	▪
Vízzel mosás	▪
Lopásgátlás: GPS + 4G* által	○
Google asszisztens és Amazon Alexa	▪
PIN-kód	▪
Emelés- és dőlésérzékelő	▪
Esőérzékelő	▪
Eco mód	▪
LED első lámpák	▪
KIEGÉSZÍTŐK	
Alaprögzítő szögek	8 db
Töltő	3 A (CGF253)
Tápellátás	1.1 A (CGF251)/2 A (CGF152)

4. Telepítés

Az RTK teljesfrekvenciás műholdas helymeghatározási technológia segítségével a fűnyíró nagy pontosságú helymeghatározási információkat kap. A VSLAM-technológiával és a Sunseeker AIR (mesterséges intelligencia felismerés) technológiával együtt a robot képes a helymeghatározási és navigációs feladatok elvégzésére a legkülönbözőbb környezetekben, beleértve a bonyolult szerkezetűeket is, biztosítva a magas színvonalú gyeptartást. A Sunseeker fejlett hardvere és szoftvere (intelligens algoritmusokkal) jelentősen javítja a fűnyíró környezeti felismerését, helymeghatározási pontosságát és általános teljesítményét. A Sunseeker fejlett algoritmusai az emberi agyhoz hasonlóan dolgozzák fel az RTK-ből (Real-Time Kinematic), VSLAM-ből (Visual Simultaneous Localization and Mapping), IMU-ből (Inertial Measurement Unit) és odométerekből származó információkat, hogy optimalizálják a környezetfelismerést a legkülönbözőbb körülmények között is. A Sunseeker RTK-technológiája, amely teljesfrekvenciás műholdas jeleket fogad és valós idejű helymeghatározást végez, lehetővé teszi a felhasználók számára, hogy virtuális határokat állítsanak be fűnyíróik számára, így nincs szükség a hagyományos határoló huzalokra. Ezen virtuális határokon belül a fűnyíró nagy pontossággal és hatékonysággal tudja megtervezni a fűnyírási útvonalakat, optimális fűnyírási lefedettséget elérve.

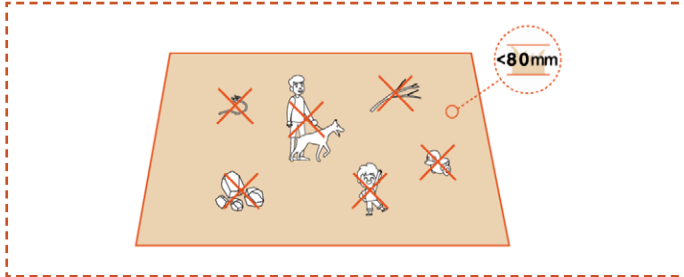


4.1 Előkészületek

A gyepr előkészítése

- A. Távolítsa el minden törmelékét, levélkupacot, játékot, vezetékét, követ és egyéb akadályt.
- B. A biztonság érdekében győződjön meg arról, hogy gyermekek és háziállatok nem tartózkodnak a gyepen.
- C. Kérjük, hogy a robotfűnyíró használata előtt a gyept legfeljebb 80 mm magasságúra nyírja le.
- D. A gyepr teljes területe 2000 m².

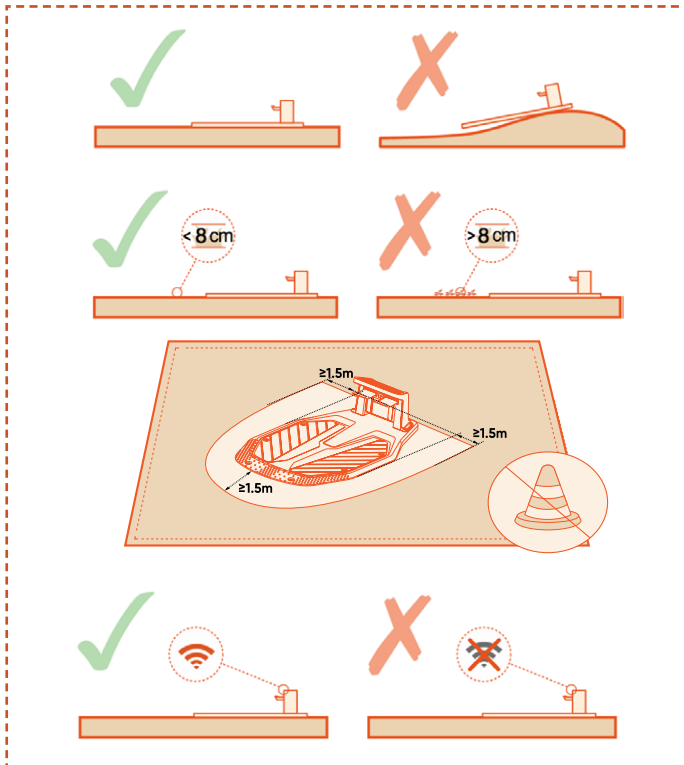
Az ajánlott gyeptípusok az alábbi képeken láthatóak:



4.2 A töltőállomás telepítése

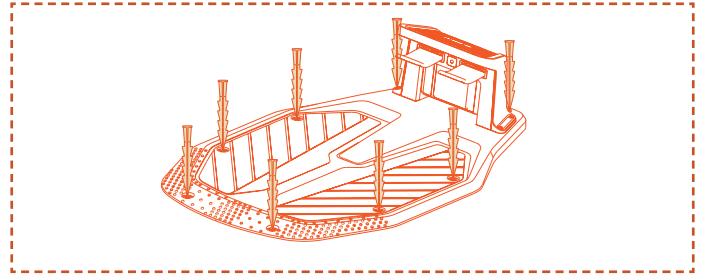
Keressen megfelelő helyet

Biztosítsa, hogy a fűnyíró akadálytalanul el tudja hagyni a töltőállomást és vissza is tudjon térni; telepítse a töltőállomást a háztartási wifivel lefedett, nyílt, sík talajra. A töltőállomás előtt 1,5 m-en belül ne legyenek akadályok. A gyeprnek 8 cm-nél alacsonyabbnak kell lennie.

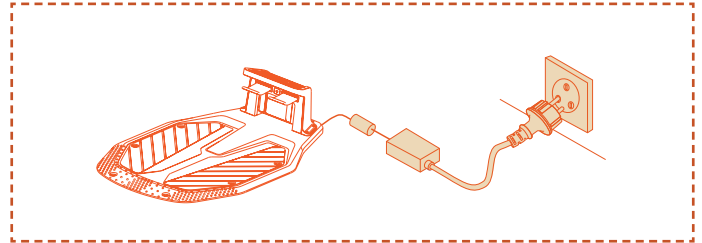


A töltőállomás telepítése

A. Rögzítse a töltőállomást a szögek segítségével nem keményített, sík talajra.



B. Csatlakoztassa a tápkábelt a tápegységhez. Ha a töltőállomás és a tápegység között jelentős távolság van, a biztonságos működés érdekében győződjön meg arról, hogy a tápkábel biztonságosan rögzítve van a talajhoz és a falhoz.

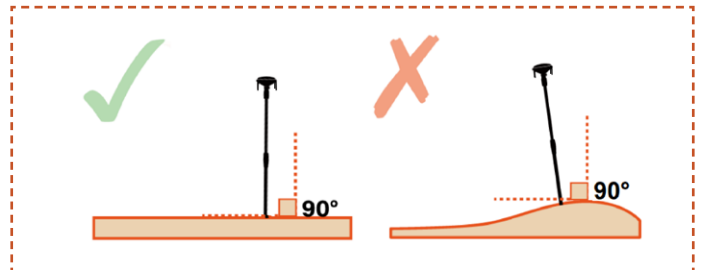


C. Ha teljesen nyitott terület nem minden oldalról áll rendelkezésre, legalább a déli égboltot tartsa szabadon, amennyiben az északi féltekén él, vagy az északi égboltot, ha a déli féltekén. Próbálja meg a keleti és nyugati oldalt mentesíteni az akadályoktól.

4.3 Az RTK-bázisállomás telepítése

Keressen megfelelő helyet

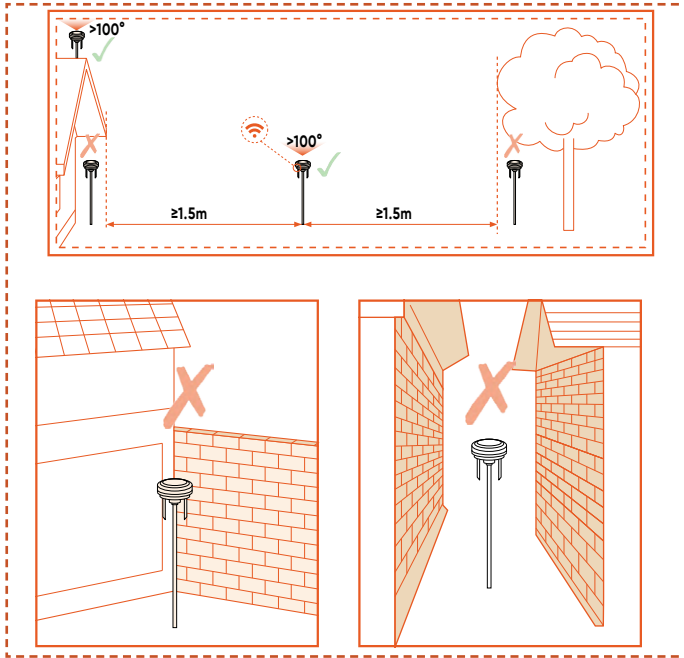
A. Helyezze el az RTK-bázisállomást függőlegesen. Kerülje az RTK-bázisállomás lejtőre történő telepítését.



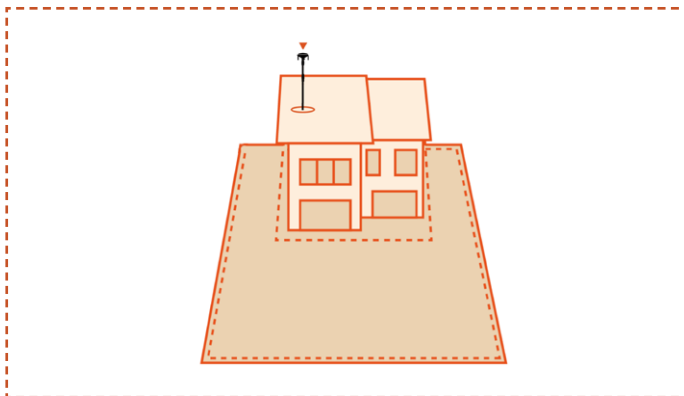
B. A háztartási wifinek le kell fednie a választott helyet.

C. A műholdas jelek megfelelő vételének biztosítása érdekében az állomást olyan nyitott és sík helyre telepítse, ahol semmi sem akadályozza a jelet, és amely legalább 100°-os tiszta jelfogási szöveget biztosít, akadályoktól mentes égbolt mellett.

D. Az RTK-bázisállomás és a fal vagy a fák közötti távolságnak legalább 1,5 m-esnek kell lennie.



E. Ha különálló gyepterületek vannak, illetve ha a gyepterület „O” vagy „U” alakú, javasoljuk, hogy az RTK-bázisállomást a tetőre vagy a falra telepítse.



F. Ha teljesen nyitott terület nem minden oldalról áll rendelkezésre, legalább a déli égboltot tartsa szabadon, amennyiben az északi féltekén él, vagy az északi égboltot, ha a déli féltekén. Próbálja meg a keleti és nyugati oldalt mentesíteni az akadályoktól.

Az RTK-bázisállomás telepítése

- A. Szögek segítségével rögzítse az RTK-bázisállomást olyan helyre, ahol elérhető áramforrás van.
- B. Csatlakoztassa a hosszabbítókábelt és a töltőt az RTK-bázisállomáshoz.
- C. Csatlakoztassa az RTK-bázisállomást az áramforráshoz.

Ellenőrizze a műholdas jelet



Helyzetjelző lámpa

- Folyamatos zöld: Megfelelő műholdas jel az adott helyen.
- Folyamatos narancssárga: Gyenge műholdas jel az adott helyen; ajánlott a bázisállomást egy jobb jelet biztosító, akadályoktól mentes területre áttelepíteni.
- Folyamatos piros: Nagyon gyenge műholdas jel az adott helyen; a bázisállomást erősebb jelű, akadályoktól mentes területre kell áttelepíteni.

Wifi-jelzőfény

- Folyamatos zöld: A wifi csatlakoztatva van, és a kiszolgálóhoz való hozzáférés megtörtént
- ⚡ Villogó zöld: A wifi csatlakozni próbál, vagy nem sikerült kapcsolódni a kiszolgálóhoz
- Nem világít zöld fény: A wifi nincs csatlakoztatva

Szuper-wifi jelzőfény

- Folyamatos zöld: Normál kommunikáció
- ⚡ Villogó zöld: Párosítás folyamatban
- Nem világít zöld fény: Kommunikációs hiba

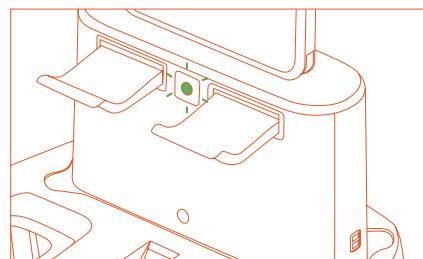
Tápellátás fénye

- Folyamatos zöld: Tápellátási hiba
- ⚡ Villogó zöld: Normál tápellátás
- Nem világít zöld fény: Nincs tápellátás

4.4 A fűnyíró töltése és aktiválása

A fűnyíró töltése

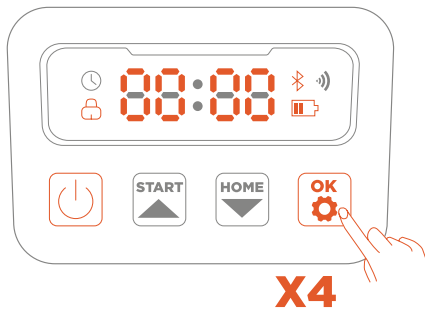
Tolja a fűnyírót a töltőállomásba, és győződjön meg arról, hogy a töltőelektródák megfelelően csatlakoznak. A töltőállomás villogó zöld fénye jelzi a normál töltést.



A fűnyíró aktiválása

- A. Nyomja meg hosszan a bekapcsoló gombot, és adja meg a jelszót. Az alapértelmezett PIN-kód a „0000”. A beállítási folyamat befejezéséhez nyomja meg az OK gombot minden egyes alkalommal, amikor a 0-t beírja.
- B. A jelszó megadásakor a START gombot plusz gombként (+), a HOME gombot pedig mínusz gombként (-) használhatja.

C. Ha meg szeretné változtatni a jelszót, nyomja meg hosszan egyszerre a start és a home gombot.



Megjegyzés

Ha a jelzőfény a megfelelő áramellátás mellett is kialszik, kérjük, forduljon az ügyfélszolgálathoz.

! Vigyázat

- Ne a virtuális határvonalakon belül helyezze el a töltőket.
- Ha a töltőállomás a virtuális határvonalakon belül van telepítve, a fűnyíró megfelelő működésének biztosítása érdekében rögzítse a hosszabbítókábel a talajhoz.

! FIGYELMEZTETÉS

- NE végezzen töltést, ha a gép, a töltő, a töltőállomás vagy a hálózati aljzat sérült.
- NE töltse a fűnyírót, ha a hőmérséklet 40 °C felett vagy 5 °C alatt van. A töltés nem fog megtörténni, ha a hőmérsékleti határértékeket túllépi.
- Azonnal állítsa le a töltést, ha rendellenes szagot, hangot vagy fényt észlel.
- Kerülje a töltést gyúlékony vagy robbanásveszélyes anyagok közelében.

4.5 Applikációhoz történő csatlakoztatás

MEGJEGYZÉS

Az applikációra vonatkozó alábbi illusztrációk csak szemléltető célokat szolgálnak. A rendelkezésre álló opciók a szoftver verziójától függően változhatnak.

A Sunseeker App használatának módja

- Győződjön meg róla, hogy a készülék a töltőállomáshoz csatlakozik, és megfelelően töltődik.
- A beállítás befejezéséhez szkennelje be a QR-kódot a robotfűnyíró alkalmazásának letöltéséhez, vagy keressen rá a „Robotic Mower” kifejezésre a Google Play Store (Android) vagy az Apple App Store (iOS) áruházban.



iOS



Android



C. Hozzon létre egy új fiókot és jelentkezzen be. Kapcsolja be telefonja Bluetooth- és wifi-funkcióját. Szkenelje be a gép SN QR-kódját a robotfűnyíró hozzáadásához. A sikeres párosítás után adja meg a gép alapértelmezett jelszavát, amely a 0000. A jelszavak a telefonon módosíthatók.

D. Állítsa be a géphez a wifit az alkalmazásban. A gépnek ugyanahhoz a wifi-hálózathoz kell csatlakoznia, mint a mobiltelefonjának. Adja meg az otthoni wifi-hálózata nevét és jelszavát.

E. Csatlakozzon a wifi-hálózathoz. Ha a kapcsolat sikeres. Ha a kapcsolat sikeres, a roboton és az applikációban is világítani kezd a wifi-ikon.

F. Adjon nevet a robotnak.

MEGJEGYZÉS

Szükség esetén az app hozzáférést kér a Bluetooth-hoz és a wifi-hálózathoz; a megfelelő beállítás és a jövőbeli funkcionalitás biztosítása érdekében engedélyezze a hozzáférést ezekhez a funkciókhoz.

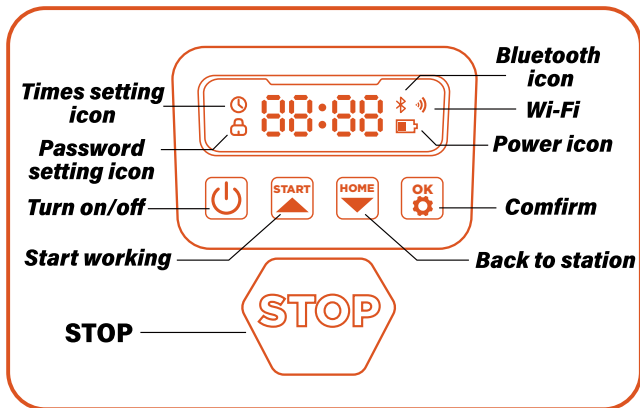
A Robotic Mower applikációt az alábbiakhoz használhatja:

- A fűnyíró bekötéséhez és aktiválásához.
- Térkép (munkaterület) létrehozásához.
- A fűnyíró állapotának és munkafolyamatának nyomon követéséhez, valamint műveletek – például indítás, leállítás vagy a töltőállomásra való visszatérés – távvezérléséhez.
- A fűnyíró munkabeállításainak megtekintéséhez és módosításához (fűnyírási ütemterv, nyírási magasság, térképezés).
- A fűnyíró biztonsági/funkciós beállításainak megtekintéséhez és módosításához (PIN-kód, kés megállítás stb.).
- A készülék firmware verziójának frissítéséhez, a hálózati kapcsolat állapotának megtekintéséhez.
- Eszközök leválasztásához, módosításához vagy hozzáadásához.
- Súgóinformációk és ügyféltámogatás igénybeviteléhez.

5. Napi üzemeltetés

5.1 A fűnyíró kijelzője és vezérlése

Kijelző



Töltöttségjelző ikon: Az akkumulátor-töltöttségjelző ikonja mutatja a gép fennmaradó töltöttségét. Az ikon 1 sávos jelzéssel mutatja, hogy a töltöttség 30% vagy az alatti, 2 sávos jelzéssel, hogy a maradék töltöttség 31–66% közötti, 3 sávos jelzéssel pedig a 67%-os vagy annál magasabb töltöttséget.

Wifi-ikon: A wifi-ikon azt jelzi, hogy a gép sikeresen csatlakozott-e a wifi-hálózathoz vagy sem.

Bluetooth-ikon: A Bluetooth-ikon azt jelzi, hogy a gép sikeresen csatlakozott-e a Bluetooth-hoz vagy sem.

Időbeállítás-ikon: Az időbeállítás ikon jelzi, hogy a gép az időbeállítási üzemmódba lépett.

Jelszóbeállítás-ikon: A felvillanó zár-ikon azt jelzi, hogy meg kell adnia a jelszót, vagy meg kell változtatnia a gép jelszavát.

Műszerfal-kijelző: A műszerfal-kijelzőn a gép különböző állapotai és üzemmódjai jelennek meg:

. **tétlen (idle):** A gép készenléti üzemmódban van, és jelenleg nincsenek végrehajtandó feladatai.

. **Futófény:** A gép munkavégzés-módban van. Ekkor a tárcsa nagy sebességgel forog. Kérjük, tartson távolságot tőle.

. **----**: Az esőérzékelő bekapcsolásakor a gép felismeri, ha az adott pillanatban esik az eső, befejezi az aktuális munkát és visszatér a töltőállomásra.

. **stop:** A gépen megnyomták a vészleállító gombot.

Alapvezérlés

Bekapcsolás: Tartsa lenyomva a bekapcsológombot 2 mp-ig.

Kikapcsolás: Tartsa lenyomva a bekapcsológombot 3 mp-ig.

A fűnyíró nem kapcsolható ki, ha a töltőállomáson van. A fűnyíró kikapcsolásakor a műszerfalon megjelenik a „bye” szó, majd a képernyő kikapcsol.

A munkavégzés megkezdése/bekapcsolás: Nyomja meg a START gombot, majd az OK gombot.

Vissza az állomásra/kikapcsolás: Nyomja meg a HOME gombot, majd az OK gombot.

A fűnyíró működésének leállítása: Nyomja meg a STOP gombot.

A fűnyíró újraindítása: Tartsa lenyomva a bekapcsológombot 10 mp-ig a gép kikapcsolásához, majd kapcsolja be újra, vagy közvetlenül tolja be a gépet a töltőállomásra, és csatlakoztassa az állomáson lévő töltőelektródákhoz.

5.2 A PIN-kód módosítása

Ha a fűnyírógép zárolt állapotban van, a kézi üzemeltetés előtt adja meg a PIN-kódot. Az alapértelmezett kód a Robotic Mower applikáción keresztül módosítható.

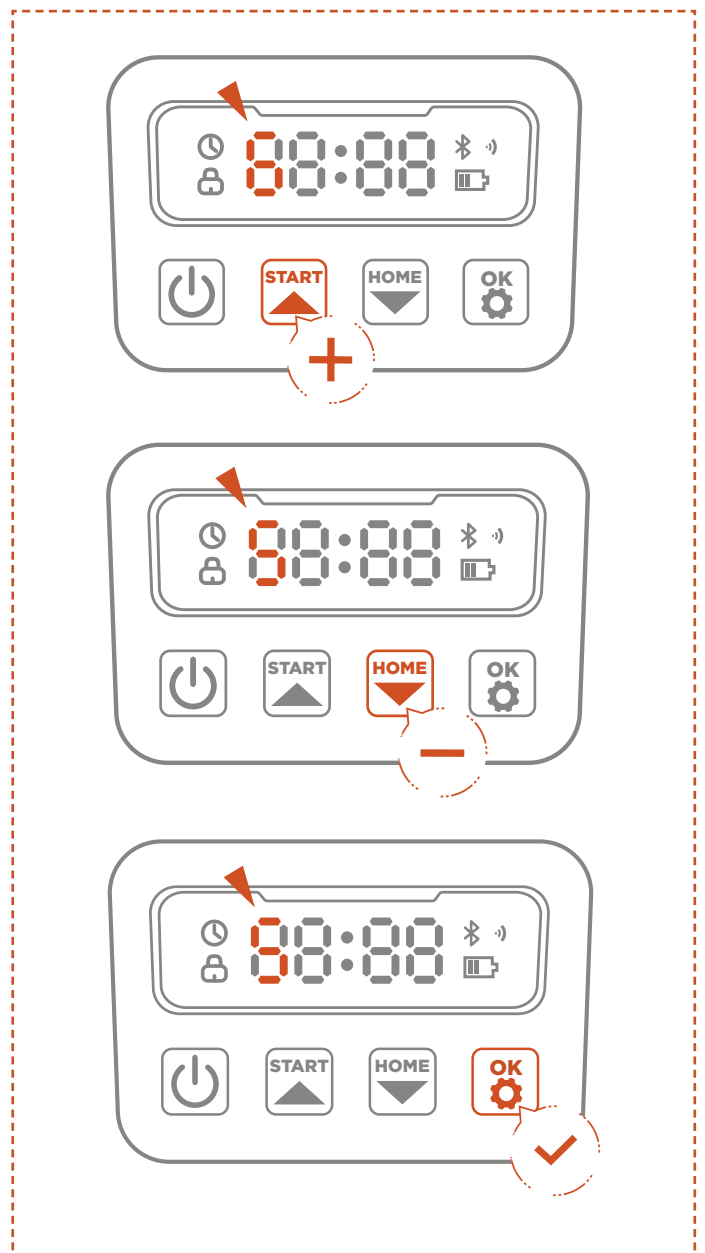
A. Nyomja meg hosszan a START és a HOME gombokat 3 másodpercig.

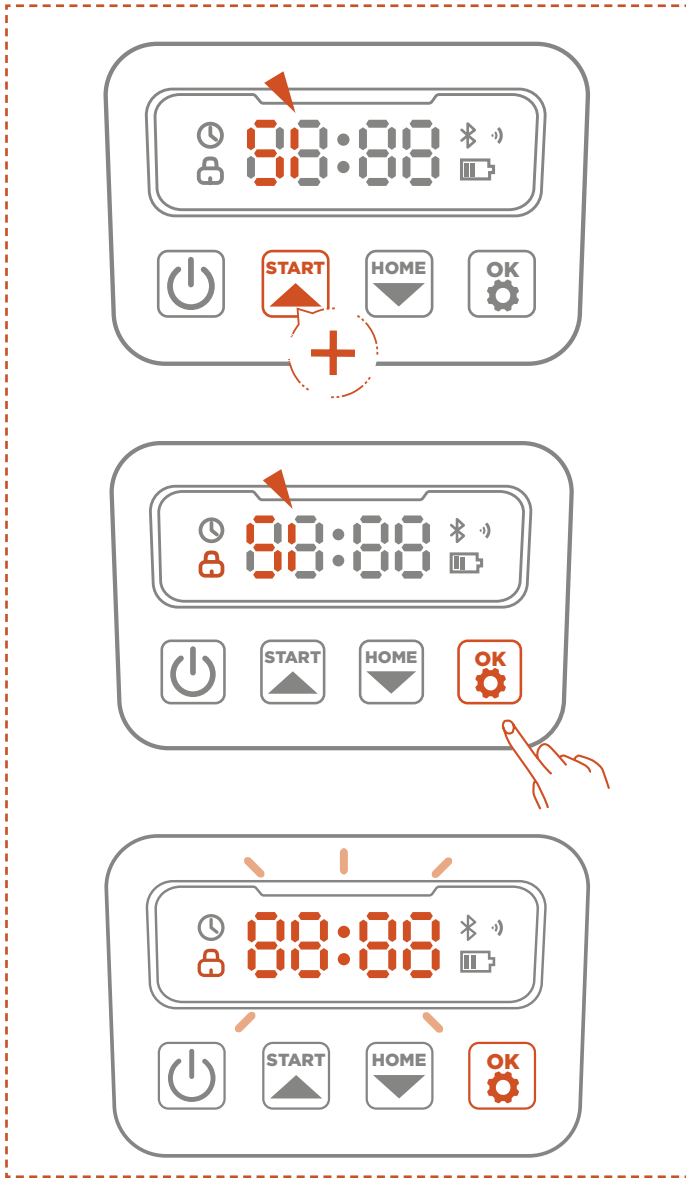
B. Amikor megjelenik a PIN1, és miután megjelenik a „0---”, adja meg a régi jelszót.

C. Amikor megjelenik a PIN2, és miután megjelenik a „0---”, adja meg az új jelszót. Nyomja meg az OK gombot a megerősítéshez.

Megjegyzés

Ha rosszul adta meg a PIN-kódot, a kijelzőn az „ERR” felirat jelenik meg.





5.3 IoT

A Platform X a dolgok internetének (IoT) eszköze. Csatlakoztassa a fűnyírót az internethez mobilhálózaton vagy wifi-hálózaton keresztül. Ezt követően az alábbi funkciók válnak elérhetővé:

A. Firmware-frissítések Over-The-Air (OTA) módon, mely fűnyíróját mindig a legújabb funkciókkal frissíti.

B. Távvezérlés engedélyezése a hálózaton keresztül:

fűnyírás indítása, fűnyírás leállítása, visszatérés a töltőállomásra, fűnyírás ütemterv beállítása, nyírás magasság beállítása és egyéb funkciók.

C. A fűnyírás folyamatának és a fűnyíró helyének távoli követése.

D. A hibakódoknak és a fűnyíró állapotának a hálózaton keresztül történő jelentése.

Wifi

A Platform X wifit használ a hálózathoz való csatlakozáshoz. További részletekért lásd a Wifibeállítások című részt.

MEGJEGYZÉS

- A Platform X csak a 2,4 GHz-es wifi-hálózatot támogatja.
- Ha iOS-eszközt használ, a fűnyíró csak ahhoz a wifi-hez tud csatlakozni, amelyhez a mobilkészüléke csatlakozik. Kérjük, kövesse az applikációban található utasításokat. Először csatlakoztassa mobilkészülékét a wifi-hálózathoz, majd csatlakoztassa a fűnyírót ugyanahhoz a wifi-hálózathoz. Androidos eszközök esetében nincsenek ilyen követelmények.

Firmware-frissítések

A fűnyíró firmware-jét folyamatosan frissítjük. Ha új firmware-verzió jelenik meg, akkor az applikációban egy felugró értesítés fog megjelenni. Javasoljuk, hogy frissítsen, amint a legújabb firmware elérhetővé válik.

A firmware frissítésekor az alábbi feltételeknek kell teljesülniük:

- A gép a töltőállomáson van.
- A hálózat csatlakoztatva van.
- Az akkumulátor töltöttsége több mint 30%.
- Egy órán belül nincs fűnyírás beütemezve.

A frissítés alatt a fűnyíró környezeti fénye kék színnel villog. A frissítés előrehaladását az applikáción követheti. A frissítés befejeztével a fűnyíró környezeti fénye zöldre vált.

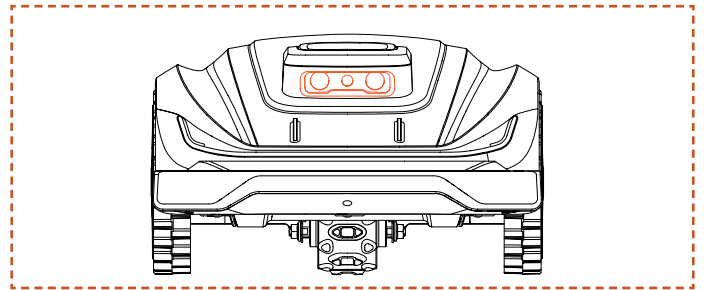
! FIGYELMEZTETÉS

- NE mozgassa a fűnyírót a frissítési folyamat alatt.

5.4 Akadályok kikerülése

Binokuláris kamera

A binokuláris kamera a Platform X alapfelszereltségének része. A vizuális határfelismerésre, az akadályok előzetes kikerülésére és a QR-kódok vizuális felismerésére szolgál a töltési folyamat során, így a fűnyírógépet intelligensebbé teszi.



MEGJEGYZÉS

- A sötét környezetben végzett munka hatással lehet a gép azon képességére, hogy az akadályokat pontosan felismerje és gyorsan kikerülje. Javasoljuk, hogy ne működtesse a gépet éjszaka.

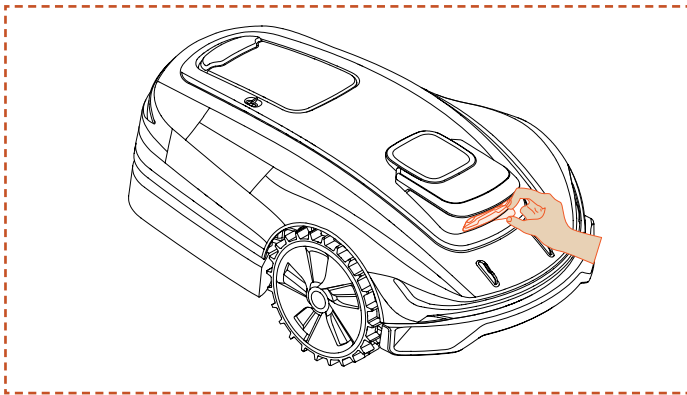
- Ha túl sok akadály van a gyepen, fontolja meg, hogy tilalmi zónákat alakít ki körülöttük, vagy távolítsa el az akadályok egy részét, hogy javítsa a gép hatékonyságát.

Mesterséges intelligencia-alapú felismerés

A Sunseeker AIR (mesterséges intelligencia-alapú felismerés) újradefiniálja a biztonságot és a védelmet a szabadalmaztatott kameraalapú VSLAM és Sunseeker AIR segítségével, amely szélesebb látómezőt kínál az akadályok felismeréséhez, jelenlétük előrejelzéséhez és a fűnyíró útvonalának szakszerű módosításához, hogy elkerülje azokat. Az akadályelkerülő funkciókat úgy tervezték, hogy növeljék a fűnyíró teljesítményét és fokozzák az Ön biztonságát.

Lökhárító-érezkelő

A Platform X belsejében érzékelők vannak felszerelve az akadályok észlelésére. Amikor a lökhárító akadályba ütközik, és az érzékelő működésbe lép, a fűnyíró hátrálni kezd és kikerüli az akadályt.



MEGJEGYZÉS

- A Platform X képes kikerülni a tárgyakat, miután nekik ütközött. Javasoljuk azonban, hogy a fűnyírás előtt szüntesse meg a túlzott rendetlenséget.

6. Karbantartás

A. Élvezze sokáig a magas színvonalú fűnyírási eredményeket és hosszabbítsa meg a fűnyíró élettartamát karbantartással.

B. A gép optimális teljesítményének biztosításához elengedhetetlen a heti rendszerességű, felelős személy általi ellenőrzés és karbantartás.

C. Védje testi épségét a biztonsági irányelvek betartásával: ne végezze a karbantartást nyitott szandálban vagy mezítláb.

D. A fűnyíró karbantartása során mindig helyezze előtérbe a biztonságot, hosszú nadrág és munkavédelmi cipő viselésével.

E. A zökkenőmentes működés biztosítása érdekében azonnal cserélje ki a sérült vagy kopott alkatrészeket.

KIZÁRÓLAG az erre felhatalmazott szerviztechnikusok nyithatják ki és zárhatják vissza a lökhárító mögött található alvázrekeszt. A korlátozott garancia érvényét veszítheti, ha saját maga végzi a szervizelést.

FELHÍVÁS: BIZTOSÍTÁS

Előfordulhat, hogy a termékkel kapcsolatos balesetekre a biztosítási kötvénye nem nyújt fedezetet. Kérjük, lépjen kapcsolatba biztosítótársaságával vagy ügynökével, hogy megtudja, elérhető-e fedezet.

6.1 Tisztítás

A. Kapcsolja ki a fűnyírót.

B. Használjon puha kefért vagy ruhát a külső felület aprólékos tisztításához, kerülve a maró hatású oldószereket, például alkoholt, benzint vagy acetont. Ezek az anyagok károsíthatják a fűnyíró esztétikáját és belső alkatrészeit egyaránt.

MEGJEGYZÉS

- A zökkenőmentes dokkoláshoz elengedhetetlen, hogy rendszeresen megvizsgálja a töltőállomást, és megtisztítsa a felgyülemlett törmeléktől vagy sártól.

- Győződjön meg arról, hogy a töltőállomás, a hosszabbítókábel és a tápegység minden csatlakozó része akadálymentes, az optimális teljesítmény érdekében.

Alváz és késtárcsa

A. Az alváz és a késtárcsa tisztításához ajánlott kefért vagy víztömlőt használni.

B. Ne használjon nagynyomású mosóberendezést, mivel az károsodást okozhat.

C. Győződjön meg arról, hogy a késtárcsa akadálytalanul forog, és a kések is akadálymentesen képesek forogni.



FIGYELMEZTETÉS

- A nagynyomású víz beszivároghat a tömítésekbe, és károsíthatja az elektronikus és mechanikus alkatrészeket.

Kerekek

A kerekeken lévő fű ronthatja a fűnyíró teljesítményét emelkedőkön való feljutáskor. A jó tapadás érdekében használjon kefével a sár vagy egyéb tárgyak eltávolítására a kerekek közül.

Esőérzékelő

A. Havonta egyszer ellenőrizze az esőérzékelőt, és győződjön meg róla, hogy nem fedi-e sár, fű vagy más tárgy.

B. Mossa le róla a sarat, fűvet vagy egyéb tárgyakat, vagy puha kefével tisztítsa meg.

C. A tisztítás után szárítsa meg az érzékelő területét, hogy megakadályozza, hogy ugyanúgy működésbe lépjen, mintha esőt érzékelné.

Kamera

Rendszeresen tisztítsa meg a kamerát, hogy megőrizze tisztaságát.

FIGYELMEZTETÉS

- Tisztítás előtt győződjön meg arról, hogy a fűnyíró ki van-e kapcsolva.
- Ha a fűnyíró fejjel lefelé áll, kapcsolja ki.

6.2 A kések cseréje

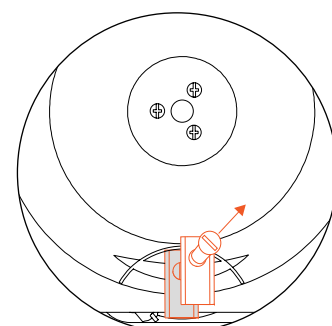
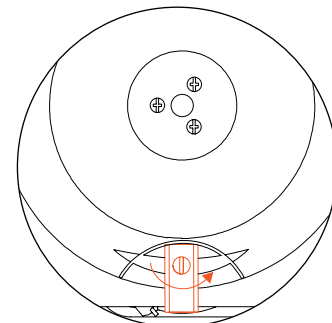
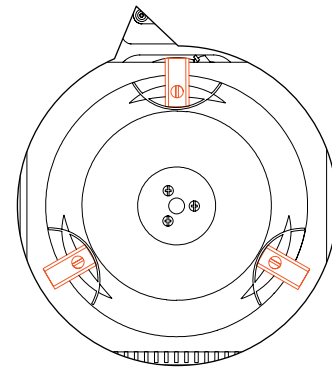
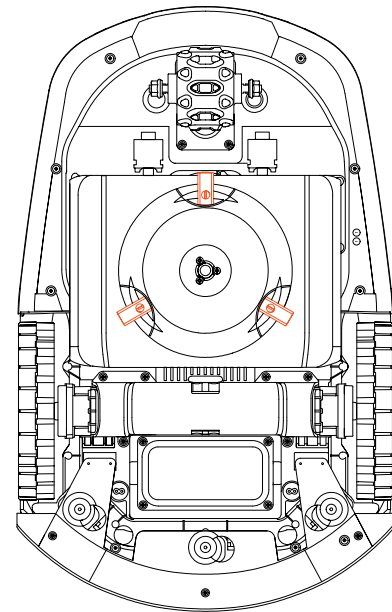
A jobb fűnyírási teljesítmény és a biztonság érdekében gyakori használat esetén ajánlott a fűnyíró csavarjait és késeit 1-2 havonta cserélni. A biztonságos nyírásrendszer érdekében az összes kést a csavarokkal együtt egyszerre cserélje ki. A felhasználható alkatrészeket lásd a „Specifikáció – tartozékok” című részben.

FIGYELMEZTETÉS

- A kés ellenőrzésekor vagy karbantartásakor viseljen vastag kesztyűt.
- NE használja fel újra a csavarokat. Ez súlyos sérülést okozhat.
- Erősen javasoljuk, hogy a megfelelő, általunk forgalmazott csavarokat és eredeti késeket használja. (NO.80201457).

A kések cseréjének módja

- Kapcsolja ki a fűnyírót.
- Állítsa a fűnyírót fejjel lefelé teljesen tiszta, puha felületre a karcolások elkerülése érdekében.
- Csillagcsavarhúzóval lazítsa meg a csavarokat.
- Távolítsa el a csavarokat és a késeket.
- Rögzítse az új késeket és csavarokat (nyomaték: 1,0 + 0,2 Nm). Győződjön meg arról, hogy a kések szabadon tudnak-e forogni.



MEGJEGYZÉS

- A csavarokat a szokásos 1,0 + 0,2 Nm-es nyomatékkal cserélje ki. A nem megfelelő nyomaték elkerülhető problémákhoz vezethet.

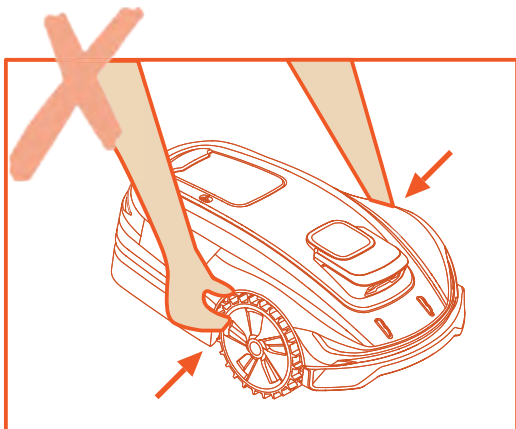
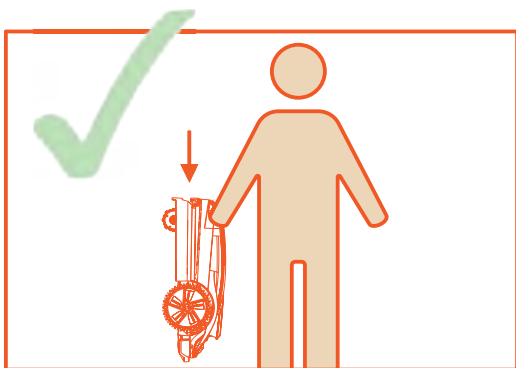
- Győződjön meg arról, hogy a fűnyíró ki van-e kapcsolva, és ellenőrizze, hogy a kések megfelelően vannak-e rögzítve. Ellenőrizze, hogy nem észlelhető-e rendellenes zaj vagy rázkódás.

6.3 Szállítás

Gondoskodjon a fűnyíró biztonságos távolsági szállításáról, használja az eredeti csomagolást. A termék felemelése, mozgatása vagy szállítása előtt feltétlenül kapcsolja ki a készüléket. Kezelje körültekintően, és kerülje az erőszakos erőhatásokat, például a dobálást és az erős nyomáskifejtést. Soha ne emelje fel vagy vigye arrébb a fűnyírót, miközben a motor jár.

Hogyan kell megfelelően mozgatni vagy emelni?

A fűnyírót a fogantyújánál fogva vigye. Tartsa a késtárcsát a testétől távolabb, tárcsával kifelé fordítva.



6.4 Akkumulátor

A. Tárolás előtt tölts fel teljesen az akkumulátort, hogy elkerülje a túlzott lemerülést és az elektromos alkatrészek károsodását.

B. A korlátozott garancia nem terjed ki az akkumulátor túlzott lemerüléséből fakadó károsodására.

C. NE tölts fel az akkumulátort, ha a levegő hőmérséklete 5 °C alatti vagy 40 °C feletti.

D. Az akkumulátor 18–25 °C közötti léghőmérsékleten történő

töltésével meghosszabbíthatja az akkumulátor élettartamát és javíthatja a teljesítményét.

E. Az akkumulátorcsomag akkor teljesít a legjobban, ha normál szobahőmérsékleten (20 °C ± 5 °C) üzemel.

MEGJEGYZÉS

- Az akkumulátor élettartama a termék használatának gyakoriságától és a működéssel töltött összidőtől függ. Ha a működési idő teljes feltöltéssel jelentősen rövidebb a szokásosnál, vagy a gyepe nem jól nyírható, ajánlott az akkumulátor cseréje.

Az akkumulátor cseréjének módja

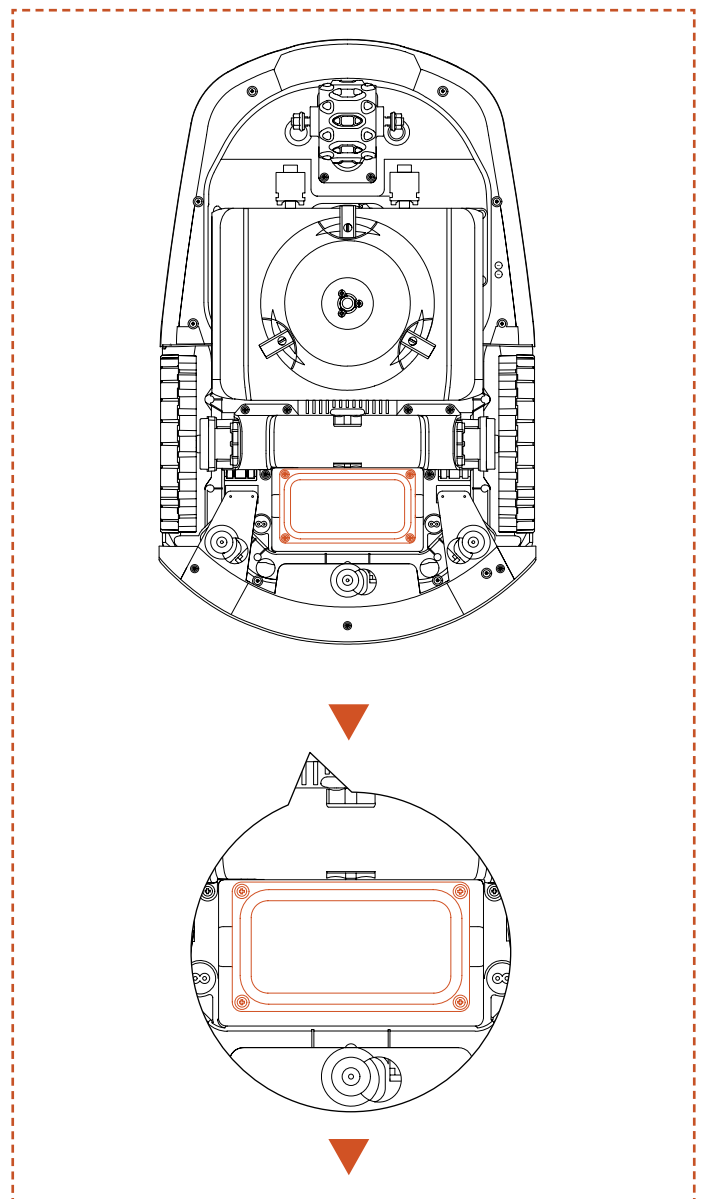
A. Kapcsolja ki a fűnyírót.

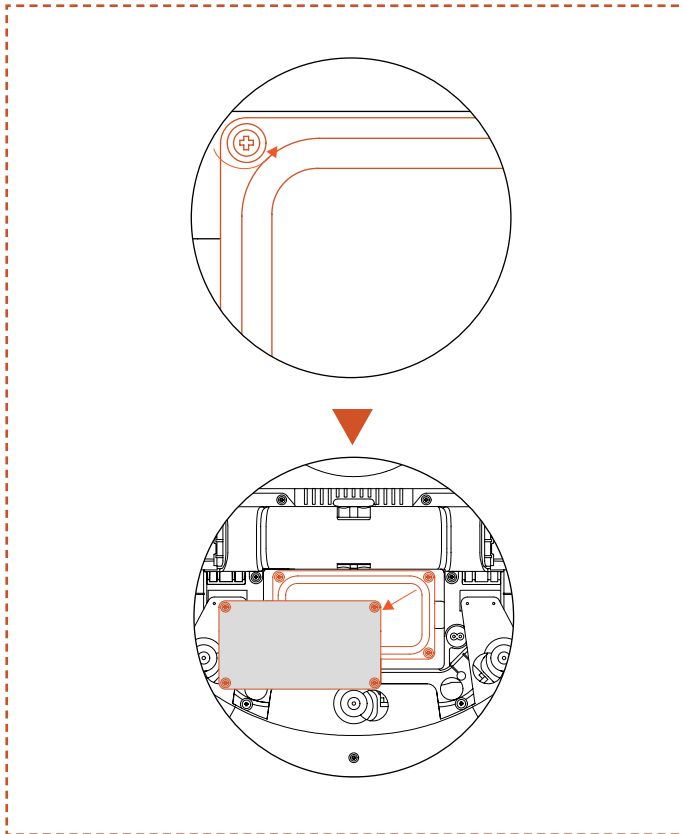
B. Helyezze a fűnyírót fejjel lefelé teljesen tiszta, puha felületre.

C. Lazítsa ki az akkumulátortartót rögzítő 4 csavart egy csillagcsavarhúzóval.

D. Húzza ki a csatlakozódugót.

E. Vegye ki az akkumulátorcsomagot, és cserélje ki újra.





FIGYELMEZTETÉS

- Csak az eredeti vagy a SUNSEEKER által megjelölt, modellazonos akkumulátorcsomagot használja. Minden fűnyírógéphez egy akkumulátorcsomag tartozik.
- Az adott fűnyírómodellől függően az akkumulátor névleges kapacitása 5000 mAh vagy 10000 mAh.
- Ne használjon nem újratölthető akkumulátorokat. Az akkumulátor feltöltéséhez kizárólag a termékhez mellékelhető tápegységet használja.
- Kerülje az akkumulátor burkolatának eltörését vagy szétszerelését. Kerülje a fémtárgyakkal való érintkezést a rövidzárlatok elkerülése érdekében. Tartsa hőforrásoktól, tűztől és közvetlen napfénytől távol.
- Az akkumulátor- és elektromos hulladékkal kapcsolatos további információkért forduljon az értékesítési ponthoz, a helyi vagy regionális hulladékkezelő irodához vagy a háztartási hulladékkezelő szolgáltathoz.
- Az akkumulátortartót nem szabad rendszeresen felnyitni. Csak akkor nyissa fel az akkumulátortartót, ha új akkumulátorra van szükség.
- Az akkumulátorcsomag elektrolitokat tartalmaz. Ha az elektrolitszivárgás bőrre jut, azonnal mossa le szappanos vízzel. Szembe kerülés esetén kérjen orvosi segítséget, és azonnal öblítse ki a szemét bő vízzel legalább 15 percen át, dörzsölés nélkül.

6.5 Tápellátás

Az alábbi esetekben kapcsolja ki a tápellátást:

- A.** Eltömődés elhárítása előtt.
- B.** A gép ellenőrzése, tisztítása vagy a gépen végzett munka előtt.
- C.** Idegen tárgyakkal való ütközés után, hogy ellenőrizze a gépet sérülések szempontjából.

D. Rendszeresen vizsgálja meg a vezetéket, a csatlakozódugót, a burkolatot és más alkatrészeket. Ha bármilyen sérülést vagy a kopás jeleit találja, azonnal hagyja abba a használatot.

FIGYELMEZTETÉS

- SOHA ne használjon sérült tápegységet az üzemeltetéshez. A veszély megelőzése érdekében a sérült tápkábelt a gyártónak, az ő szervizügynökének vagy más, megfelelő képesítéssel rendelkező személynek kell kicserélnie. Ha a hosszabbítókábel hibás, cserélje ki egy SUNSEEKER által jóváhagyott 10 m-es vezetékre.
- SOHA ne nyúljon a sérült hosszabbítókábelhez vagy vezetékhez, mielőtt kihúzná a tápegységéből, vagy miután csatlakoztatná a tápegységhez. A sérült vezeték érintkezésbe léphet az elektromos alkatrészekkel.
- A tápegységet nem szabad más készülékkel vagy akkumulátorral együtt használni, mivel ez növeli az áramütés, tűz vagy személyi sérülés veszélyét. Ha az eredeti akkumulátortól eltérő akkumulátort használ, a termék biztonsága nem garantálható.
- NE töltsé az akkumulátort, ha az szivárog.
- Tartsa a hosszabbítókábelt távol a mozgó, veszélyes alkatrészekről, hogy elkerülje a vezetékek sérülését, amely feszültség alatt álló alkatrészekkel való érintkezéshez vezethet.

javaslat

A fűnyírót és/vagy perifériáit csak olyan tápáramkörhöz csatlakoztassa, amelyet legfeljebb 30 mA áramvédőkapcsoló (RCD) véd.

6.6 Tárolás

- A.** Tárolás előtt győződjön meg róla, hogy a fűnyíró teljesen fel van töltve és ki van kapcsolva, hogy elkerülje a túlzott lemerülést, amely maradandó károsodást okozhat.
- B.** Tárolja száraz, hűvös helyen, zárt térben. A napfénynek és a szélsőséges (akár meleg, akár hideg) hőmérsékletnek való kitettség felgyorsítja az alkatrészek kopási folyamatát, és maradandó károsodást okozhat.
- C.** Tartsa távol a vegyszereket és a hőforrásokat (kályhák, radiátorok stb.) a fűnyírótól, a töltőállomástól és a tápegységtől.
- D.** A tápegységet jó szellőzésű helyen tárolja, és védje a nedvességtől.

FIGYELMEZTETÉS

- Húzza ki a tápegységet a konnektorból, ha zivatart jószolnak. Húzza ki a töltőállomáshoz csatlakoztatott összes vezetéket és kábelt. Csatlakoztassa újra, ha elmúlt a zivataveszély.

Extra követelmények a téli tároláshoz

A fűnyíró tekintetében:

- A. Tárolás előtt alaposan tisztítsa meg a fűnyírót.
- B. Ellenőrizze a kopásnak kitett alkatrészeket, például a késeket.
- C. Javítsa meg vagy cserélje ki őket, ha rossz állapotban vannak.
- D. Tárolja a fűnyírót száraz és fagymentes helyen, valamennyi kerekén állva, lehetőleg az eredeti csomagolásában .

A töltőállomás tekintetében:

- A. Válassza le a gépet a töltőállomásról, és húzza ki a tápegységet a konnektorból.
- B. Tartsa a töltőállomást közvetlen napfénytől védve, és vigye beltérre.

6.7 Újrahasznosítás és az élettartam végi ártalmatlanítás

Ez a termék NEM háztartási hulladék. Az újrahasznosítással kapcsolatos információkért vegye fel a kapcsolatot az önkormányzattal, az értékesítési ponttal vagy a háztartási hulladékkezelővel.



FIGYELMEZTETÉS

- Ezt a terméket nem szabad hulladéklerakóban elhelyezni, elégetni vagy a szokásos háztartási hulladékkal együtt ártalmatlanítani. Az elektromos alkatrészek veszélyt jelenthetnek vagy súlyos károkat okozhatnak.

7. GYIK és hibaelhárítás

7.1 Hibaüzenet

Hibakód	Jelentés	Lehetséges ok
E1	Robot a munkaterületen kívül	Hogyan oldható meg a „Robot a munkaterületen kívül” hiba?
E2	Kerékmotor-blokk	A kerékmotor elakadt
E3	Vágómotor-hiba	A vágómotor elakadt
E4	A robot lökhárítója elakadt	1. Túl sok akadály 2. Ellenőrizze, hogy a lökhárító a helyén maradt-e.
E5	A robot felemelkedett	Ellenőrizze, hogy a gép felemelkedett-e
E6	A robot megdőlt	Ellenőrizze, hogy a gép egyenetlen talajon áll-e.
E7	A dőlésszög-érzékelő gyakran aktiválódik	Ellenőrizze, hogy a gép egyenetlen talajon áll-e.
E8	A töltőállomáson való sikertelen dokkolás újratöltéskor	Hogyan oldható meg a „A töltőállomáson való sikertelen dokkolás újratöltéskor” hiba?
E9	A robot beszorult	1. Ellenőrizze, hogy túl sok akadály van-e a gép körül. 2. A robot szűk helyre került, és nem tud kijutni. 3. A fűnyíró megcsúszik
E10	A frissítés nem sikerült	1. Ellenőrizze, hogy a wifi-jel nem túl gyenge-e 2. Ellenőrizze, hogy a készülék a töltőállomáson töltődik-e épp.
E12	Akkumulátorfeszültség-hiba	1. Helyezze a gépet a töltőállomásra, és ellenőrizze, hogy teljesen feltölthető-e. 2. Túl nagy töltési áram 3. Túl hosszú töltési idő 4. Túl magas vagy túl alacsony akkumulátorfeszültség
E13	Töltési hiba	Hibás töltő
E14	Az aktuális térképterület túl nagy, és meghaladja a robot által támogatott maximális munkaterületet	Készítsen új térképet a termék névleges kapacitástartományán belül
E15	Hátsókerék-motor/kormánymotor hiba	A hátsókerék-motor/kormánymotor beragadt
E16	Emelkedésimotor-hiba	Az emelőmotor elakadt
E17	Nem találja a töltőállomást	Hogyan oldható meg a „A töltőállomáson való sikertelen dokkolás újratöltéskor” hiba?
E18	Alacsony töltöttség	Előfordulhat, hogy a gép valamilyen hiba miatt nem tud visszatérni a töltőállomásra, hogy feltöltődjön. Kérjük, manuálisan vigye a töltőállomásra a töltéshez.
E19	A csatlakozás megghiúsult	1. A gép hátulján 4 QR-kód található; új gép hozzáadásakor az első QR-kódot kell kiválasztania. 2. Ellenőrizze, hogy a telefonon lévő Bluetooth be van-e kapcsolva, és hogy a telefon a gép 1 méteres hatótávolságán belül van-e. 3. Megadta-e a helyes indítási jelszót, amely alapértelmezés szerint a 0000 4. A wifi 2,4 GHz-es? 5. Helyes a wifi-jelszó?

Hibakód	Jelentés	Lehetséges ok
E21	RTK inicializálási hiba	1. Ellenőrizze, hogy a bázisállomás megfelelően van-e telepítve, és hogy nincsenek-e akadályok. 2. Ellenőrizze, hogy a gép nincs-e eltorlaszolta 3. Ellenőrizze, hogy nincsenek-e olyan nagy méretű akadályok, amelyek blokkolják a jelet a bázisállomás és a gép között.
E22	Az első kamera hibája	Ellenőrizze, hogy a kamerát akadály blokkolja-e
E23	Üres térkép-hiba	Kérjük, indítás előtt hozzon létre egy térképet
E24	Az RTK-bázisjel elveszett	1. Ellenőrizze, hogy a bázisállomás be van-e kapcsolva. 2. Ellenőrizze, hogy a bázisállomás megfelelően van-e telepítve Az RTK-állomás telepítésének módja 3. Ellenőrizze, hogy van-e akadály a bázisállomás és a gép között 4. Próbálja meg újra csatlakoztatni a bázisállomást
E25	A feltérképezés nem sikerült	1. Ellenőrizze, hogy a térkép le van-e zárva 2. Ellenőrizze, hogy a gép wifi-kapcsolata megfelelő-e.
E26	RTK-kalibráció sikertelen	Hogyan oldható meg az „RTK-kalibráció sikertelen” hiba?
EE	Kereskedői ügyféltámogatásra van szükség	1. Az akkumulátortábla rossz érintkezése 2. Kijelzőtábla-hiba 3. Határvonaltábla-hiba 4. Multifunkciós tábla rendellenessége 5. Hardverhiba 6. Egyéb hibák
BP	Akkumulátorhőmérséklet-hiba	1. Ellenőrizze, hogy a környezeti hőmérséklet nem túl magas-e. 2. Ellenőrizze, hogy a környezeti hőmérséklet nem túl alacsony-e.
LOCK (ZÁR)	Zárva. Próbálja újra 10 perc múlva.	1. Kérjük, adja meg a helyes jelszót 2. Ha elfelejtette a jelszavát, az applikáción keresztül a gyári beállítások visszaállításával visszaállíthatja azt 0000-ra. 3. Ha a mobilalkalmazás nem csatlakozik a géphez, kérjük, forduljon az értékesítés utáni szervizhez
STOP	Kézi leállítás	A STOP gomb be van nyomva

Instrukciók arra vonatkozóan, hogyan kell eljárni rendellenes rezgések esetén:

- A. Kapcsolja ki a gépet.
- B. Fordítsa el a gépet 180 fokkal.
- C. Ellenőrizze a kések állapotát, hogy nem sérültek-e meg vagy nem működnek-e rosszul.
- D. Ajánlott mindhárom kés cseréje.
- E. Fordítsa vissza a gépet alapállásba a munka megkezdéséhez.

7.2 Hibaelhárítás

Ha bármilyen, a termékkel vagy az applikációval kapcsolatos problémába ütközik, vagy gyakori kérdése van, nézze meg a Sunseeker hivatalos weboldalán (<https://support.sunseeker-elite.com>) vagy az applikáció „Segítség és visszajelzés” részében található GYIK-cikkeket.

8. Fontos információk

8.1 Adatvédelem

A személyes adatok feldolgozása a Platform X-en

• Ki és miért?

Amikor a Sunseeker Platform X szolgáltatására regisztrál és használja azt, a Sunseeker (vagy „mi”), mint adatkezelő kezeli a személyes adatait. Személyes adatait a következők érdekében dolgozzuk fel:

1. Platform X kapcsolatot biztosítunk Önnek, vagy ajánlatot teszünk ilyen szolgáltatás nyújtására. Ennek jogalapja, hogy az adatkezelés szükséges az Ön által velünk kötött szerződés teljesítéséhez, vagy a velünk való szerződéskötést megelőző lépések megtételéhez.
2. Termékeink és szolgáltatásaink továbbfejlesztése és javítása. A jogalap a termékeink és szolgáltatásaink fejlesztéséhez és javításához fűződő jogos érdekünk.
3. A Platform X (a dolgok internete) csatlakoztathatóságának lehetővé tétele: partnerintegrációk használata (például okosasszisztensek, beleértve a hangalapú eszközöket is); csatlakoztatási platformok használata a Platform X harmadik fél eszközeihez, alkalmazásaihoz és szolgáltatásaihoz való csatlakoztatásához, valamint saját okosotthon-integráció létrehozása. Ennek jogalapja, hogy az adatkezelés a velünk kötött szerződés teljesítéséhez szükséges.
4. A Platform X-szel kapcsolatos releváns információk biztosítása az Ön számára. Ennek jogalapja azon jogos érdekünk, hogy tájékoztassuk Önt az adott termékekről és szolgáltatásokról, valamint azok jellemzőiről.
5. Támogatás és hibaelhárítás nyújtása Önnek a Platform X-szel kapcsolatban. Ennek jogalapja, hogy az adatkezelés a velünk kötött szerződés teljesítéséhez szükséges.

Ha beleegyezését adta (ebben az esetben a jogalap az Ön hozzájárulása), akkor személyes adatait a következő célokból is feldolgozhatjuk:

1. Személyre szabott reklámok és hírlevelek küldése Önnek termékeinkről és szolgáltatásainkról.
2. Vásárlói felmérések küldése Önnek, és az Ön által megadott adatok elemzése az ilyen kommunikációban részletezettek szerint.

Adatait addig kezeljük, amíg az a Sunseeker számára a fent említett célok teljesítéséhez szükséges, de semmiképpen sem tovább, mint azt a vonatkozó jogszabályok lehetővé teszik.

• Milyen személyes adatokat dolgozunk fel?

A következő személyes adatokat dolgozhatjuk fel:

1. Személyes adatok: keresztnév és vezetéknev, állampolgárság, nyelvi preferenciák;
2. Elérhetőségi adatok: e-mail-cím, postacím;
3. Fiókadatok: fiókéletkor, jelszó, számlaszám;
4. A Platform X-hez kapcsolódó egyéb adatok: fűnyíró neve, párosítási nevek, partnerintegrációk használatával kiváltott műveletek és eszközinformációk.

• Helymeghatározási adatok felhasználása

Egyes szolgáltatásaink csak akkor működnek, ha meg tudjuk határozni a fűnyíró helyét (pl. időjárásjelzés). Ha megosztja velünk a fűnyírója helyét, az adatokat az Ön profiljának részeként tároljuk, és álnevesített formában továbbíthatjuk harmadik félnek a megfelelő szolgáltatás nyújtása céljából (pl. a fűnyíró parkoltatása heves esőzés esetén).

8.2 Korlátozott garancia

Korlátozott garancia

2 év garanciát biztosítunk. Mielőtt garanciális igényt kezdeményezne, nyomtatékosan kérjük, hogy először a felhasználói kézikönyv GYIK és Hibaelhárítás című részét olvassa el. Elkötelezett ügyfélszolgálatunk is örömmel segít. A garanciális igénye érvényesítésének kezdeményezéséhez nyújtsa be vásárlást igazoló bizonylatát, az érvényes, a vásárlás dátumát és helyét feltüntető blokkot is beleértve.

Garanciánk nem terjed ki:

A normál elhasználódásnak kitett alkatrészekre, mint például az talajkarókra, nyírókorongokra és az akkumulátorra.

8.3 Felelősségi nyilatkozatok

Ügyfeleinknek értékesítés utáni szolgáltatásokat nyújtunk, kivéve a következő körülményeket:

1. Nem gyártási tényezők által okozott töréskárok, beleértve, de nem kizárólagosan, a felhasználói hibákat.
 2. A hivatalos utasításoknak vagy kézikönyveknek nem megfelelő jogosulatlan módosítás, szétszerelés vagy a burkolat felnyitása által okozott károk.
 3. A nem megfelelő telepítés, helytelen használat vagy a hivatalos utasításoknak vagy kézikönyveknek nem megfelelő üzemeltetés által okozott károk.
 4. Nem engedélyezett szervizszolgáltató által okozott kár.
 5. Az áramkörök jogosulatlan módosítása és/vagy az akkumulátor és a töltő nem megfelelő vagy helytelen használata által okozott károk.
 6. Az olyan felhasználók által okozott károk, akik nem tartják be az utasításokat és a kézikönyv ajánlásait.
 7. Rossz gyepviszonyok között történő üzemeltetés által okozott károk (pl. nagy kiterjedésű tócsák, ha az elhatárolt területek nincsenek megfelelően beállítva, olyan helyek, ahol rengeteg kő borítja a gyepfelületet stb.)
 8. A termék elektromágneses interferenciával terhelt környezetben való üzemeltetése által okozott károk, beleértve a bányászati területeket vagy a rádióadó-tornyok, nagyfeszültségű vezetékek, állomások stb. közelségét.
 9. A termék más vezeték nélküli eszközök, például jeladók, videokapcsolatok, wifi-jelek stb. által okozott interferenciával terhelt környezetben való üzemeltetése által okozott károk.
 10. A megbízhatósági vagy kompatibilitási problémák által okozott károk, amennyiben nem engedélyezett, harmadik féltől származó alkatrészeket használ.
 11. A készülék alacsony töltöttségű vagy hibás akkumulátorral történő üzemeltetése által okozott károk.
 12. Olyan károk, amelyet előre nem látható tényezők okoznak, mint például autóval való ütközés, vadállat-támadás, árvíz stb.
- E tartalom előzetes értesítés nélkül változhat.

FCC-megfelelőségi nyilatkozat

A készülék megfelel az FCC-szabályok 15. részének. Az üzemeltetés a következő két feltételhez kötött: (1) a készülék nem okozhat káros interferenciát, és (2) a készüléknek fogadnia kell a kapott interferenciát, beleértve a nem kívánt működést okozó interferenciát is. A megfelelőségért felelős fél által nem kifejezetten jóváhagyott változtatások vagy módosítások érvényteleníthetik a felhasználónak a berendezés üzemeltetésére vonatkozó jogosultságát.

MEGJEGYZÉS

A berendezés tesztelését követően megállapították, hogy megfelel a B-osztályú digitális eszközökre vonatkozó határértékeknek az FCC-szabályok 15. része szerint. Ezeket a határértékeket úgy határozták meg, hogy ésszerű védelmet nyújtsanak a káros interferenciával szemben a lakossági telepítés során. A berendezés rádiófrekvencia-energiát használ és sugározhat, és ha nem az utasításoknak megfelelően telepítik és használják, káros interferenciát okozhat a rádiótávközlésben. Azonban nincs garancia arra, hogy egy adott telepítés során nem fordul elő interferencia. Ha a berendezés káros interferenciát okoz a rádió- vagy televízióvetélben, ami a berendezés ki- és bekapcsolásával megállapítható, a felhasználónak javasoljuk, hogy próbálja meg az interferenciát az alábbi intézkedések közül egy vagy több intézkedés végrehajtásával orvosolni:

- A vevőantenna átállítása vagy áthelyezése.
- A berendezés és a vevőkészülék közötti távolság növelése.
- A berendezés olyan konnektorba történő csatlakoztatása, amely más áramkörön van, mint amelyhez a vevő csatlakozik.
- Segítség kérése a kereskedőtől vagy egy tapasztalt rádió-/TV-technikustól.
- Az FCC-rádiófrekvenciás expozíciós követelményeinek teljesítése érdekében a készülék működése során legalább 20 cm-es távolságot kell tartani a készülék antennája és a személyek között. A megfelelőség biztosítása érdekében ennél a távolságnál közelebb történő üzemeltetés nem ajánlott.

FIGYELMEZTETÉS gombelemekre vonatkozóan:

- a) Eltávolítás után a helyi előírásoknak megfelelően azonnal hasznosítani vagy ártalmatlanítani kell a használt elemeket. Tartsa távol gyermekektől.
- b) NE dobja az elemeket a háztartási hulladék közé, és NE égesse el.
- c) Még a használt elemek is súlyos sérülést vagy halált okozhatnak.
- d) Hívja a helyi mérgezéselhárító központot a kezeléssel kapcsolatos információkért.
- e) Az elem típusa: CR2032.
- f) Névleges feszültség: 3,0 Vdc.
- g) A nem újratölthető elemeket nem szabad újratölteni.
- h) Nem szabad erővel kisütöni, újratölteni, szétszerelni, (a gyártó által megadott hőmérséklet határ fölé) hevíteni vagy elégetni. Ellenkező esetben a légtelenítés, szivárgás vagy robbanás következtében vegyi égési sérülésekhez vezető sérülés következhet be.
- i) A termék nem újratölthető gombelemet tartalmaz.



EK-megfelelőségi nyilatkozat

We.

Zhejiang Sunseeker Industrial Co., Ltd.

988 Jinde Rd. Jiangdong Industrial Park, Jinhua, Zhejiang 321000 P.R. KÍNA

Kijelenti és felelősséget vállal azért, hogy a termék:

Márkanév: SUNSEEKER

Terméknév: Robotfűnyíró

Modell: RMX1600L20V, RMX2000L20V, RMX2500L20V, RMX1602N20V, RMX2002N20V, RMX2502N20V

A fent leírt nyilatkozat tárgya megfelel a következő EU-irányelveknek:

1. Rádióberendezésekről szóló irányelv (2014/53/EU)

2. Gépekről szóló irányelv (2006/42/EC)

3. RoHS-irányelv (2011/65/EU) és módosító irányelve ((EU)2015/863)

4. Zajvédelmi irányelv (a 2005/88/EK irányelvvel módosított 2000/14/EK irányelv III. melléklete).

- Hangnyomásszint LpA: 52 dB (A), hangnyomás-bizonytalanság KpA: 3 dB (A)

- Deklarált, garantált hangteljesítményszint: 60 dB (A), hangteljesítmény-bizonytalanság KWA: 3 dB (A)

A termék ezen irányelveknek való megfelelését a következő harmonizált szabványoknak és/vagy műszaki előírásoknak való megfelelés igazolásával értékelték:

EN 50636-2-107: 2015+A1:2018+A2: 2020+A3: 2021

EN 60335-1:2012+A11:2014+A13:2017+ A1:2019 + A2:2019+ A14:2019+A15:2021

EN IEC 55014-1:2021

EN IEC 55014-2:2021

EN IEC 61000-3-2:2019+A1:2021

EN 61000-3-3:2013+A1:2019+A2:2021

EN 301 489-1 V2.2.3

EN 301 489-3 V2.3.2

EN 301 489-17 V3.2.4

EN 301 489-19 V2.2.1

EN 301 489-52 V1.2.1

EN 301 511 V12.5.1

EN 301 908-1 V15.2.1

EN 301 908-13 V13.2.1

EN 303 413 V1.2.1

EN 300 220-2 V3.1.1

EN 300 328 V2.2.2

EN 62311:2008

EN IEC 62311:2020

EN 62321-1:2013

EN IEC 62321-2:2021

EN 62321-3-1:2014

EN 62321-8:2017

EN 62321-4:2014 /A1:2017

EN 62321-5:2014

EN 62321-7-1:2015

EN 62321-7-2:2017

EN 62321-6:2015

EN 62321-8:2017

EN ISO 11094:1991

EN ISO 3744:1995

EN ISO 3744:2010

Rádiófrekvenciás sugárterhelésre vonatkozó információk

A készüléket tesztelték, és megfelel a rádiófrekvenciás (RF) expozícióra vonatkozó határértékeknek.

A berendezést a mellékelt utasításoknak megfelelően kell telepíteni és üzemeltetni, és a jeladóhoz használt antenná(ka)t úgy kell telepíteni, hogy minden személytől legalább 20 cm távolságban legyen(ek), továbbá nem lehet más antennával vagy jeladóval együtt elhelyezni vagy együtt üzemeltetni.

Aláírt az alábbiak nevében és megbízásából Zhejiang Sunseeker Industrial Co., Ltd.

Hely: Jinhua, Zhejiang P.R. KÍNA

Dátum: 2024. 07. 09.

Név: Harry Ran

Beosztás: Főmérnök

Aláírás: 

clár na nÁbhar

1. Sábháilteacht agus Rialacháin	292
1.1 Ginearálta.....	292
1.2 Treoracha Sábháilteachta Ginearálta.....	292
1.3 Treoracha Sábháilteachta maidir le Suiteáil.....	293
1.4 Treoracha Sábháilteachta maidir le hOibriúchán Laethúil	294
1.5 Treoir Sábháilteachta maidir le Cothabháil	294
1.6 Sábháilteacht Ceallra.....	294
2. Siombailí agus Aistreoga.....	294
3. Ábhar agus Sonraíocht	295
3.1 Ábhar sa Bhosca	295
3.2 Páirteanna agus Feidhmeanna.....	296
4. Suiteáil.....	298
4.1 Ullmhúcháin	299
4.2 Suiteáil an Stáisiún Luchtaithe	299
4.3 Suiteáil an Bunstáisiún RTK.....	299
4.4 Luchtaigh agus Gníomhachtaigh an Lomaire.....	300
4.5 Nasc Aipe.....	301
5. Oibriúchán Laethúil	302
5.1 Taispeáint agus Rialú ar an Lomaire	302
5.2 Athraigh an cód PIN.....	302
5.3 IoT	303
5.4 Constaicí a Sheachaint	303
6. Cothabháil	304
6.1 Glanadh.....	304
6.2 Athsholáthar na Lann	305
6.3 Iompar	306
6.4 Ceallra.....	306
6.5 Soláthar Cumhachta	307
6.6 Stóráil.....	307
6.7 Athchúrsáil agus Diúscairt Deireadh Ré	308
7. Ceisteanna Coitianta agus Fabhtcheartú.....	309
7.1 Teachtaireacht earráide	309
7.2 Fabhtcheartú.....	310
8. Eolas Tábhachtach	311
8.1 Príobháideacht Sonraí	311
8.2 Barántas Teoranta	311
8.3 Séanadh.....	311

1. Sábháilteacht agus Rialacháin

1.1 Ginearálta

TÁBHACHTACH

**LÉIGH GO CÚRAMACH SULA nÚSÁIDEANN TÚ É
COINNIGH LE HAGHAIDH TAGARHTA SA TODHCHAÍ**

Úsáid Bheartaithe

Níl an táirge gairdín seo beartaithe ach le haghaidh lomadh faiche amháin, ag gearradh féar go huathoibríoch ag am ar bith den lá. D'fhéadfadh aon úsáid a théann thar an gcuspóir atá beartaithe a bheith ina guaiseach, a d'fhéadfadh dochar a dhéanamh do dhaoine aonair agus/nó damáiste a dhéanamh do mhaoin. Tá sé ríthábhachtach cloí go docht leis na treoirínte sonraíthe chun sábháilteacht a chinntiú agus chun timpistí a chosc.

Úsáid Neamhbheartaithe

Níl an táirge gairdín seo beartaithe lena úsáid ag leanaí nó ag daoine a bhfuil cumais choirp, chéadfacha nó mheabhreacha laghdaithe acu, nó a bhfuil easpa taithí agus eolais acu, ach amháin má tá maoirseacht nó treoir tugtha dóibh maidir le húsáid an táirge ag duine atá freagrach as a gcuid sábháilteachta.

I measc úsáid mhíchuí, ach gan a bheith teoranta dóibh, daoine, leanaí nó ainmhithe a iompar ar an meaisín; á iompar ag an meaisín; an meaisín a úsáid chun ualaí a tharraingt nó a bhrú; agus an meaisín a úsáid chun fásra neamhfhear a gearradh.

Rioscaf iarmharacha - Caith lámhainní cosanta agus gloiní cosanta súl nuair a bhíonn tú i mbun cothabhála nó ag athsholáthar na lanna i gcás gortuithe.

Ná shín an cábla idir an t-aonad soláthair cumhachta agus an stáisiún luchtaithe.



RABHADH

- Ná déan teagmháil le páirteanna gluaiasteacha guaiseacha sula stopann siad go hiomlán.
- Coinnigh an cábla cumhachta, an t-aonad soláthair cumhachta, an téad síneadh agus na cáblaí leictreacha eile go léir nach mbaineann leis an táirge lasmuigh den limistéar gearrtha chun a n-achar a choinneáil ó chodanna gluaiasteacha guaiseacha agus chun cosc a chur ar dhamáiste a dhéanamh do cháblaí a d'fhéadfadh dul i dteagmháil le codanna beo. Tá baol báis ann d'oibreoir nó do fhéachadóirí mura gcloítear leis na treoracha sa lámhleabhar.
- Lomaire faiche uathoibríoch! Coinnigh ar shiúl ón meaisín! Ní mór do leanaí a bheith faoi mhaoirseacht!
- Sábháil gach rabhadh agus treoir le haghaidh tagartha sa todhchaí.
- Léigh gach rabhadh sábháilteachta, treoracha, léaráidí agus sonraíochtaí a chuirtear ar fáil leis an táirge seo. Mura gcloítear leis na treoracha go léir thíos, d'fhéadfadh turraing leictreach, dóiteán agus/nó gortú tromchúiseach a bheith mar thoradh air.

1.2 Treoracha Sábháilteachta Ginearálta

Sábháilteacht limistéar oibre

A. Ná hoibrigh meaisíní in atmaisféir phléascacha, amhail i láthair leachtanna inadhaite, gáis nó deannaigh. Cruthaíonn meaisíní splancacha a d'fhéadfadh an deannach nó an múch a adhaint.

B. Léigh na treoracha go cúramach. Bí eolach ar na rialuithe agus ar úsáid cheart an mheaisín.

C. Ná lig do dhaoine nach bhfuil cur amach acu ar na treoracha seo nó do leanaí an meaisín a úsáid. Féadfaidh rialacháin áitiúla srian a chur ar aois an oibreora.

D. Tá an t-oibreoir nó an t-úsáideoir freagrach as tionóiscí nó guaiseacha a tharlaíonn do dhaoine eile nó dá réadmhaoin.

Sábháilteacht leictreach

A. Ní mór do phlocóidí príomhlíonra a bheith oiriúnach don asraon. Ná modhnaigh an phlocóid ar bhealach ar bith. Ná húsáid aon phlocóidí luchtair le gléasanna talmhaithe (talamh). Laghdóidh plocóidí neamhmhodhnaithe agus asraonta meaitseála an baol de thurraing leictreach.

B. Seachain teagmháil choirp le dromchlaí talmhaithe, amhail píopaí, radaitheoirí, soirn agus cuisneoirí. Tá baol méadaithe turrainge leictreach má dhéantar do chorp a thalmhú.

C. Ná bhain mí-úsáid as cordaí cumhachta. Ná húsáid an corda cumhachta riamh chun feiste a iompar, a tharraingt nó a dhíphlugáil. Coinnigh cordaí cumhachta ar shiúl ó theas, ola, imill ghéar nó páirteanna gluaiasteacha. Le cordaí cumhachta damáistithe nó i bhfostú, méadaítear an baol turraing leictreach.

D. Mura féidir feiste atá á chumhachtú ag an bpríomhlíonra a oibriú i suíomh tais, bain úsáid as soláthar cosanta feiste srutha iarmharaigh (RCD). Laghdaíonn úsáid RCD an baol turraing leictreach.

E. Cinntigh suiteáil ceart an chórais um imlíne uathoibríoch de réir na dtreoracha.

F. Déan iniúchadh tréimhsiúil ar an limistéar ina bhfuil an meaisín le húsáid, agus bain gach cloch, bata, sreang, cnámh agus constaicí eile.

G. Seiceáil na lanna, boltaí lainne agus cóimeáil gearrthóirí go rialta le haghaidh caithimh nó damáiste. Athsholáthar lanna agus boltaí caite nó damáistithe i sraitheanna chun cothromaíocht a chaomhnú.

H. Ar mheaisíní ilfhearsaid, bí cúramach mar is féidir le rothlú de lann amháin a bheith ina chúis le lanna eile a rothlú.

Sábháilteacht phearsanta

A. Ná lig do dhaoine nach bhfuil cur amach acu ar an meaisín nó ar na treoracha seo an meaisín a oibriú. Tá meaisíní contúirteach i lámha na n-úsáideoirí nach bhfuil oiliúint faighte acu.

B. Fan san airdeall, breathnaigh ar a bhfuil á dhéanamh agat agus bí ciallmhar agus an meaisín á oibriú agat. Ná húsáid an meaisín nuair a mbíonn tuirse ort nó má bhíonn tú faoi thionchar drugaí, alcóil nó cógas. D'fhéadfadh gortú tromchúiseach pearsanta 1094 a bheith mar thoradh ar nóiméad gan aird agus an meaisín á oibriú agat.

C. Bain aon eochair choigeartaithe nó rinse roimh oibriú an mheaisín. D'fhéadfadh gortú pearsanta a bheith mar thoradh ar eochair nó rinse a fhágtar nasctha le cuid rothlach den mheaisín.

D. Agus an meaisín á rialú de láimh, coinnigh an bonn ceart agus cothromaíocht i gcónaí. Ligeann sé seo duit rialú níos fearr a bheith agat ar an meaisín i gcásanna gan choinne.

E. Ná lig an taithí a fhaightear ó úsáid mhinic na meaisíní duit éirí bogásach agus neamhaird a dhéanamh ar phrionsabail sábháilteachta meaisín. Is féidir le gníomh míchúramach 1101 díobháil thromchúiseach a dhéanamh laistigh d'am gairid.

Úsáid agus cúram meaisín

A. Déan an plocóid a dhícheangal ón bhfoinse cumhachta agus/nó bain an pacáiste ceallraí (má tá sé inscortha) ón meaisín nó ó ghléasanna eile sula ndéantar aon choigeartú, athrú ar ghabháilais nó stóráil. Laghdaíonn bearta coisctheacha sábháilteachta den sórt sin an baol a bhaineann le tosú neamhbheartaithe.

B. Cothabháil meaisíní agus gabháilais. Seiceáil an bhfuil mí-ailíniú nó ceangailteach páirteanna gluaiasteacha, bristeadh páirteanna agus aon riocht eile a d'fhéadfadh cur isteach ar oibriú an mheaisín. Má dhéantar damáiste, deisigh an meaisín roimh úsáid. Is iad meaisíní agus gabháilais nach ndéantar a chothabháil is cúis le go leor timpistí.

C. Bain úsáid as an meaisín agus gabháilais de réir na dtreoracha seo, ag cur san áireamh na coinníollacha oibre agus an obair atá le déanamh. D'fhéadfadh cás guaiseach a bheith mar thoradh ar úsáid an mheaisín le haghaidh oibríochtaí atá difriúil ó na cinn atá beartaithe.

D. Ná oibrigh an meaisín riamh le cosaintí lochtacha, nó gan feistí sábháilteachta.

E. Ná cuir na lámha nó na cosa in aice le nó faoi chodanna rothlacha. Coinnigh ar shiúl ón oscailt scaoilte i gcónaí.

F. Ná tóg nó ná iompair meaisín riamh agus an mótar ag rith.

G. Gníomhachtaigh glas an ghléis/Socraigh an meaisín go "LOCK"

- sula ndéantar bac a ghlanadh;
- sula ndéantar an meaisín a sheiceáil, a ghlanadh nó a oibriú.

H. Ná fág an meaisín chun oibriú gan duine ar bith má tá a fhios agat go bhfuil peataí, leanaí nó daoine cóngarach.

Seirbhís

A. Bíodh do mheaisín seirbhísithe ag duine deisiúcháin cáilithe ag baint úsáide as páirteanna athsholáthair comhionann amháin. Cinnteofar leis seo go gcoimeádtar sábháilteacht an mheaisín.

B. Coinnigh gach cnó, bolta agus scríú daingean chun a chinntiú go bhfuil an meaisín i riocht oibre slán.

C. Seiceáil an gabhálaí féar go minic le haghaidh caithimh nó meatha.

D. Athsholáthar páirteanna caite nó millte ar mhaithe le sábháilteacht.

E. Cinntigh go gcuirtear lanna cearta ina n-ionad.

F. Cinntigh go ndéantar ceallraí a luchtú ag baint úsáide as an luchttaire ceart atá molta ag an monaróir. D'fhéadfadh turraing leictreach, róthéamh nó sceitheadh leachta chreimní ón gceallra a bheith mar thoradh ar úsáid mhícheart.

G. I gcás sceitheadh leictrilít, glan le huisce / gníomhaire neodraithe, lorg cúnaimh leighis má thagann sé i dteagmháil leis na súile, srl.

H. Ba cheart go ndéanfaí an meaisín a sheirbhísiú de réir threoracha na monaróirí.

Úsáid agus cúram uirlis CEALLRA

A. Ná luchtaiigh ach leis an luchttaire sonraithe ag an monaróir amháin. D'fhéadfadh sé go gcruthódh luchttaire atá oiriúnach do chineál amháin de phacáiste CEALLRA riosca dóiteáin nuair a úsáidtear é le pacáiste CEALLRA eile.

B. Ná húsáid ach uirlisí cumhachta a bhfuil pacáiste CEALLRA ainmnithe go sonrach acu. D'fhéadfadh baol gortaithe agus dóiteáin a bheith ann má úsáidtear aon pacáistí CEALLRA eile.

C. Nuair nach bhfuil pacáiste CEALLRA in úsáid, coinnigh ar shiúl ó rudaí miotail eile é, cosúil le gearrthóga páipéir, boinn, eochracha, tairní, scríúnná nó rudaí beaga miotail eile, ar féidir leo nasc a dhéanamh ó theirminéal amháin go teirminéal eile. D'fhéadfadh dóina nó dóiteán a bheith mar thoradh ar na teirminéil CEALLRA a ghiorrú.

D. Faoi choinníollacha maslach, d'fhéadfadh leacht scaoilteadh ón gCEALLRA; ná déan teagmháil leis. Má tharlaíonn teagmháil thaisme, sruthlaigh le huisce. Má théann leacht isteach sna súile, iarr cabhair leighis freisin. D'fhéadfadh greannú nó dó a bheith mar thoradh ar leacht a scaoiltear as an gCEALLRA.

E. Ná húsáid pacáiste nó uirlis CEALLRA atá damáistithe nó mionathraithe. D'fhéadfadh iompar nach féidir a thuar a bheith i gceist le ceallraí damáistithe nó mionathraithe a mbeadh dóiteán, PLÉASCADH nó baol gortaithe mar thoradh air.

F. Ná nochtaigh pacáiste nó uirlis CEALLRA do dhóiteán nó do theocht iomarcach. D'fhéadfadh pléascadh a bheith mar thoradh ar dhóiteán nó teocht os cionn 130 °C.

G. Lean na treoracha luchtaithe go léir agus ná luchtaiigh an pacáiste nó an uirlis CEALLRA lasmuigh den raon teochta a shonraítear sna treoracha. Má dhéantar é a luchtú go míchuí nó ag teocht lasmuigh den raon sonraithe, d'fhéadfadh sé damáiste a dhéanamh don CEALLRA agus an baol dóiteáin a mhéadú.

1.3 Treoracha Sábháilteachta maidir le Suiteáil

A. Ná shuiteáil an stáisiún luchtaithe, lena n-áirítear aon gabhálas, ag suíomh atá níos ísle, nó laistigh de 24 orlach ó, aon ábhar indóite. I gcás mífheidhme, d'fhéadfadh téamh an stáisiúin luchtaithe agus an tsoláthair cumhachta tarlú agus baol féideartha dóiteáin a chruthú.

B. Ná cuir an soláthar cumhachta ag airde nuair a bhíonn baol ann gur féidir é a chur in uisce. Ná cuir an soláthar cumhachta ar an talamh.

C. Ná cuimsigh an soláthar cumhachta. Is féidir le huisce comhdhlúite dochar a dhéanamh don soláthar cumhachta agus an baol turraing leictreach a mhéadú.

D. Infheidhme maidir le SAM/Ceanada. Má tá soláthar cumhachta suiteáilte lasmuigh: Riosca Turraing Leictreach. Ná suiteáil ach ar ghabhdán GFCI clúdaithe Aicme A (RCD) amháin le himfhálú aimsirdhíonach agus rochtain chun an clúdach breiseán ceangail a chur isteach nó a bhaint.

E. Ná suiteáil an stáisiún luchtaithe i gcás ina bhfuil baol ann go mbeidh uisce stáilaithe ann.

1.4 Treoracha Sábháilteachta maidir le hOibriúchán Laethúil

A. Coinnigh do lámha agus do chosa ar shiúl ó na lanna rothlacha. Ná cuir do lámha nó do chosa in aice nó faoi bhun an táirge nuair atá sé socraithe go ON.

B. Bain úsáid as modh na páirce nó socraigh an táirge chun OFF nuair a bhíonn daoine, go háirithe leanaí nó ainmhithe sa limistéar oibre.

C. Déan cinnte nach bhfuil aon rudaí cosúil le clocha, brainsí, uirlisí nó bréagáin ar an bhfaiche. Is féidir damáiste a dhéanamh do na lanna má bhuailteann siad rud.

D. Ná tóg an táirge nó ná bog é nuair atá sé socraithe go ON.

E. Ná lig don táirge imbhuiladh le daoine nó le hainmhithe. Má thagann duine nó ainmhí ar bhealach an táirge, stop an táirge láithreach.

F. Ná cuir rudaí ar bharr an táirge nó ar an stáisiún luchtaithe.

G. Ná húsáid an táirge mura n-oibríonn an cnaipe STOP.

H. Socraigh an táirge chun OFF i gcónaí nuair nach bhfuil sé á oibriú.

I. Ná húsáid an táirge agus preab-spréire ag an am céanna. Úsáid an fheidhm Sceidil ag an am céanna.

J. Ná lig don táirge oibriú nuair a bhíonn uisce stáilaithe sa limistéar oibre, cosúil le limistéar ina bhfuil linnte uisce cruthaithe ag báisteach throm.

1.5 Treoir Sábháilteachta maidir le Cothabháil

A. Múch an táirge go OFF nuair a dhéanann tú cothabháil ar an táirge.

B. Ná húsáid meaisín nócháin ardbhrú chun an táirge a ghlanadh. Ná húsáid tuaslagóirí chun an táirge a ghlanadh.

C. Déan an phlocóid a dhícheangal ón stáisiún luchtaithe sula nglanann tú nó sula ndéanann tú cothabháil ar an stáisiún luchtaithe.

1.6 Sábháilteacht Ceallra

Is féidir le ceallraí litiam-ian pléascadh nó bheith ina chúis le dóiteáinmá dhéantar iad a dhíchóimeáil, a ghearrchiorcadú, nó a bheith faoi lé uisce, tine nó teochtaí arda. Láimhseáil go cúramach agus ná bain an cellra as a chéile ná a oscailt nó ná bain úsáid as aon chineál mí-úsáide leictreachais/meicniúla. Seachain stóráil i solas díreach.

2. Siombailí agus Aistreoga







Is féidir na siombailí seo a fheiceáil ar an táirge. Léigh go cúramach iad le do thoil.

	RABHADH: Léigh na treoracha úsáideora roimh an táirge a oibriú.
	RABHADH: Díchumasaigh an táirge sula n-oibríonn tú an meaisín nó sula n-ardaíonn tú é. Ná déan teagmháil leis an lann rothlach riamh.
	RABHADH: Coinnigh achar sábháilte ón meaisín agus tú ag oibriú. Coinnigh daoine eile amach as an limistéar contúirte.
	RABHADH: Ná téigh ar ar an meaisín.
	Úsáid soláthar cumhachta inscortha mar atá sainmhínithe ar an lipéad rátála in aice leis an tsiombail.
	Marc comhréireachta CE.
	Leibhéal cumhachta fuaimne, arna chinneadh ag an treoir Eorpach maidir le torann lasmuigh. Tá astuithe an táirge leagtha amach sna Sonraí Teicniúla ar leathanach 6 agus ar an bpláta rátála.
	Ná faigh réigh leis an táirge seo mar ghnáthdhramhaíl tí. Cinntigh go ndéantar an táirge a athchúrsáil de réir na gceanglas dlíthiúil áitiúil.
	Aicme III
	DC









Siombailí ar pacáiste ceallra

	Léigh na treoracha úsáideora.
	Ná caith an ceallra sa tine agus ná nochtaigh an ceallraí d'fhoinsé teasa.
	Ná déan an ceallra a thumadh in uisce.
	Marc in-athchúrsáilte.
	Níl sé ceadaithe fáil réidh leis an bpacáiste ceallra seo mar ghnáthdhramhaíl tí. Cinntigh go ndéantar an pacáiste ceallra a athchúrsáil de réir na gceanglas dlíthiúil áitiúil.

Siombailí ar an luchtaire

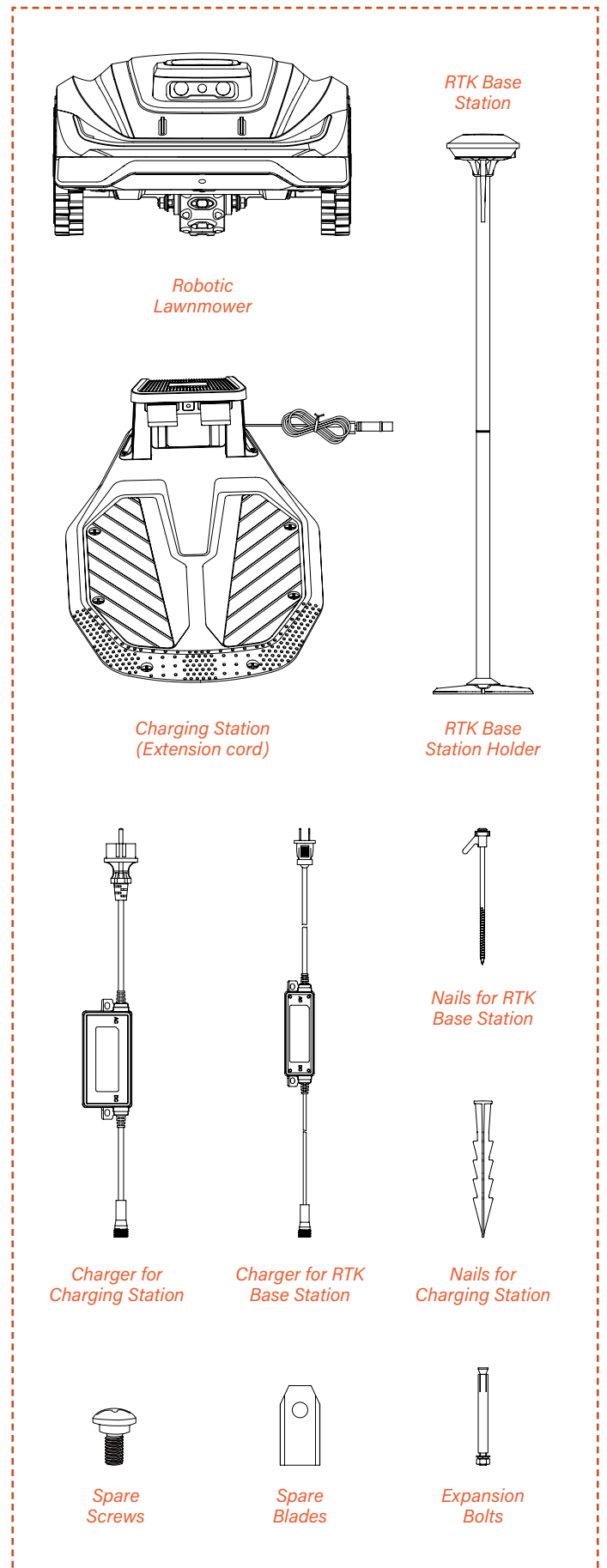
	Léigh na treoracha úsáideora.
T3.15A 	Ionadaigh le fiús de réir rátála.
T2A 	Ionadaigh le fiús de réir rátála.
	Tógáil Aicme II.
 	Ná cuir i leataobh mar dhramhaíl neamhshórtáilte, ní mór í a sheoladh chuig saoráidí bailiúcháin ar leith le haghaidh aisghabhála agus athchúrsála de réir na gceanglas dlíthiúil áitiúil.

Siombailí ar scáileán róbaít

	Cumhacht ar / as
	Cnaipe tosaigh
	Cnaipe baile
	Cnaipe OK
	Socrú cód PIN
	Socrú amanna
	Bluetooth
	Wi-Fi

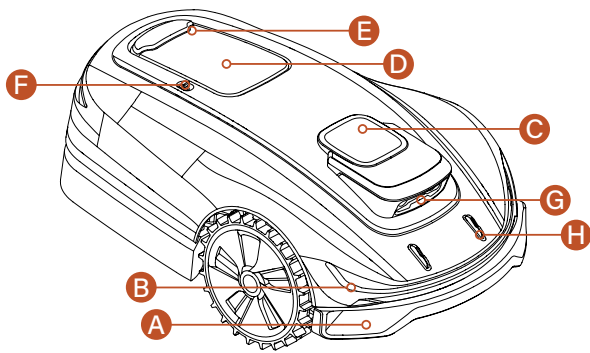
3. Ábhar agus Sonraíocht

3.1 Ábhar sa Bhosca



3.2 Páirteanna agus Feidhmeanna

Amharc Barr



H - Leictreoidí luchtaithe - Ceanglaíonn na leictreoidí luchtaithe ar an meaisín leo siúd ar leictreoidí an stáisiúin luchtaithe chun ceallraí an mheaisín a lcuhtú.

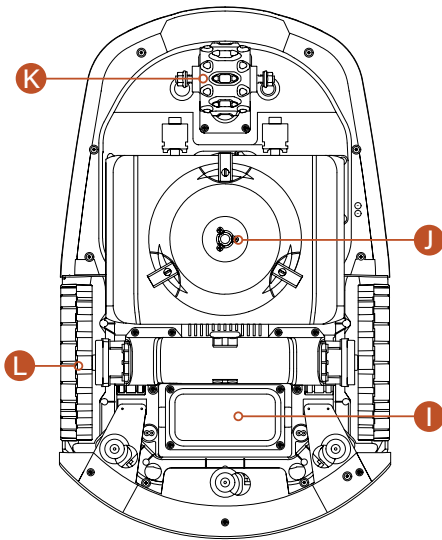
I - Urrann Ceallra - An urrann chun an ceallra a stóráil.

J - Pláta Gearrtha Rothlach - Gléas chun an bhfaiche a scamhadh nuair a bhíonn an meaisín á oibriú.

K - Roth Mol Mótair - Feiste rialaithe stiúrtha den scoth agus soláthar cumhachta le haghaidh oibriú.

L - Rothaí Tiomána - Aschur cumhachta le haghaidh gluaiseachta le cumas sármhaitheasa easbhóthair.

Amharc Bun



NÓTA

Ná tumadh an meaisín in uisce, toisc go bhféadfadh sé seo damáiste a dhéanamh do na comhpháirteanna agus an bharántas a chur ar neamhní laistigh den tréimhse shonraithe.

A - Tuairteoir Imbhualite-Nuair nach bhfuil suíomh amhairc ar fáil, is féidir leis an tuairteoir imbhualite gnáthoibriú an mheaisín a chinntiú.

B - Soilse LED - LED idirghníomhacha éagsúla ar an lomaire stádas oibriúcháin an mheaisín.

C - Aeróg Suite RTK - Gléas suite idirghníomhach don stáisiún bonn RTK, an meaisín agus satailítí.

D - Painéal Rialaithe - An painéal chun cumhacht an mheaisín a chasadh air agus as; a ordú don mheaisín oibriú nó fillleadh; agus araile.

E - Cnaipe STOP - Cnaipe stad éigeandála chun an meaisín a stopadh i gcás aon chás práinne.

F - Braiteoir Báistí - Is féidir leis an braiteoir báistí báisteach a bhrath agus is féidir leis an meaisín fillleadh ar an stáisiún luchtaithe go huathoibríoch chun báisteach a sheachaint de réir shocruithe an úsáideora.

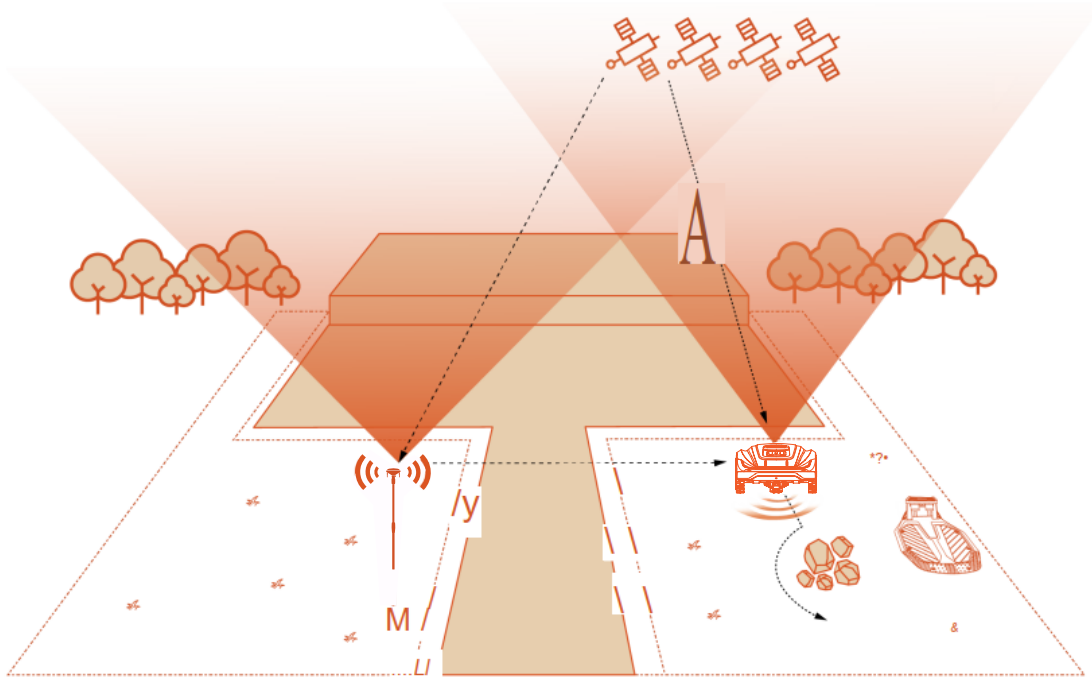
G - Ceamara Déshúileach - Cuidíonn an ceamara déshúileach AI-chuidithe leis an lomaire bacainní a bhrath agus a sheachaint.

3.3 Sonraíochtaí

SONRAÍOCHT THEICNIÚIL	X5-2000 RMX2000L20V
Sreang teorann	Gan sreang / saor ó theorainn
Limistéar gearrtha uasta	2000m ²
Airde gearrtha íosta/uasta	20-60mm
Coigeartú airde	Manual
Leithead gearrtha	22cm
Cumas Ceallra	5 Ah
Comhéadan úsáideora	Taispeáint AIP & méarchlár
Fána uasta	30° (60%)
Toisí róbait	680*420*275 cm
Dearbhaithe	CE RoHS
Glanmheáchan	11.8 kg
Leibhéal cumhachta fuaime LWA	60 dB (A)
Éiginnteacht Cumhachta Fuaime KWA	3dB(A)
Leibhéal Brú Fuaime LpA	52 dB (A)
Éiginnteacht Cumhachta Fuaime KpA	3dB(A)
GNÉITHE	
Wifi / Bluetooth	▪
Mapáil chliste	▪
Pleanáil bealaigh	3 rogha
VSLAM	▪
Sár Wifi	▪
FOTA	▪
Fill ar ais go tapa chuig an stáisiún luchtaithe	▪
Rothaí AWD (gach roth-tiomáinte).	3 roth
Mapa gairdín ar aip	▪
Il-chriosanna	Suas le 8
Sceideal oibre (socraithe san AIP)	Socrú uathoibríoch nó láimhe trí AIP
Braiteoir mill	▪
Níteoir uisce	▪
Frith-ghoid: le GPS + 4G*	○
Google assistant & Amazon Alexa	▪
Cód PIN	▪
Braiteoir Ardaithe & Claonadh	▪
Braiteoir báistí	▪
Mód éicea	▪
Soilse ceann LED	▪
GABHÁLAIS	
Tairní bonn-fheistiú	8 bpíosa
Luchtaire	3 A (CGF253)
Soláthar Cumhachta	1.1 A (CGF251)/2 A (CGF152)

4. Suiteáil

Cuidíonn teicneolaíocht suite satailíte lán-mhnicíochta RTK leis an lomaire faiche faisnéis ardchruinneas faoi shuíomh a fháil. In éineacht le teicneolaíocht VSLAM agus Sunseeker AIR (Aitheantas Faisnéise Saorga), is féidir leis an róbat tascanna suite agus tiomána a dhéanamh i gcásanna éagsúla, lena n-áirítear timpeallachtaí casta, ag cinntiú cothabháil faiche ardcháilíochta. Cuireann cruá-earraí agus bogearraí ardleibhéal de Sunseeker (algartaim chliste) go mór le haitheantas timpeallachta an lomaire, cruinneas suímh agus feidhmíocht fhoriomlán. Cosúil le hinchinn an duine, déanann ard-halgartaim Sunseeker faisnéis a phróiseáil ó RTK (Fíor-Ama Cinematic), VSLAM (Lánúchán agus Mapáil Comhuaineach Amhairc), IMU (Aonad Tomhais Támhúil), agus odaiméadair chun aitheantas timpeallachta a bharrfheabhsú faoi choinníollacha éagsúla. Cuireann teicneolaíocht RTK Sunseeker a fhaigheann comharthaí satailíte lán-minicíochta agus a fheidhmíonn suíomh fíor-ama, ar chumas úsáideoirí teorainneacha fíorúla a shocrú dá lomairí faiche, rud a chuireann deireadh leis an ngá atá le sreanga teorann traidisiúnta. Laistigh de na teorainneacha fíorúla seo, is féidir leis an lomaire faiche a chonairí gearrtha a phleanáil le cruinneas agus le hardéifeachtúlacht, ag baint amach an clúdach gearrtha is fearr.

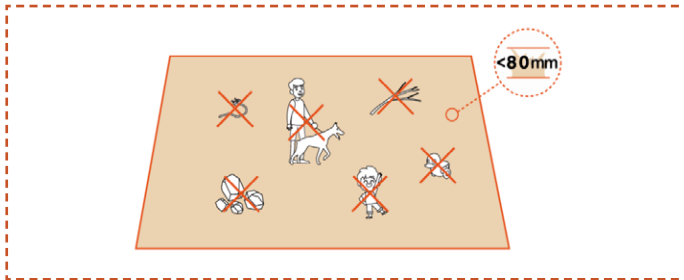


4.1 Ullmhúcháin

Ullmhaigh an fhaiche

- A. Glan aon bhruscar, carn duilleoga, bréagáin, sreanga, clocha nó constaicí eile.
- B. Chun sábháilteacht a chinntiú, le do thoil déan cinnte nach bhfuil leanaí agus peataí ar an bhfaiche.
- C. Gearr d'fhaiche go dtí airde nach mó ná 80mm le do thoil sula n-úsáideann tú an lomaire róbatach.
- D. Raonta méid iomlán na faiche ó 2000 m².

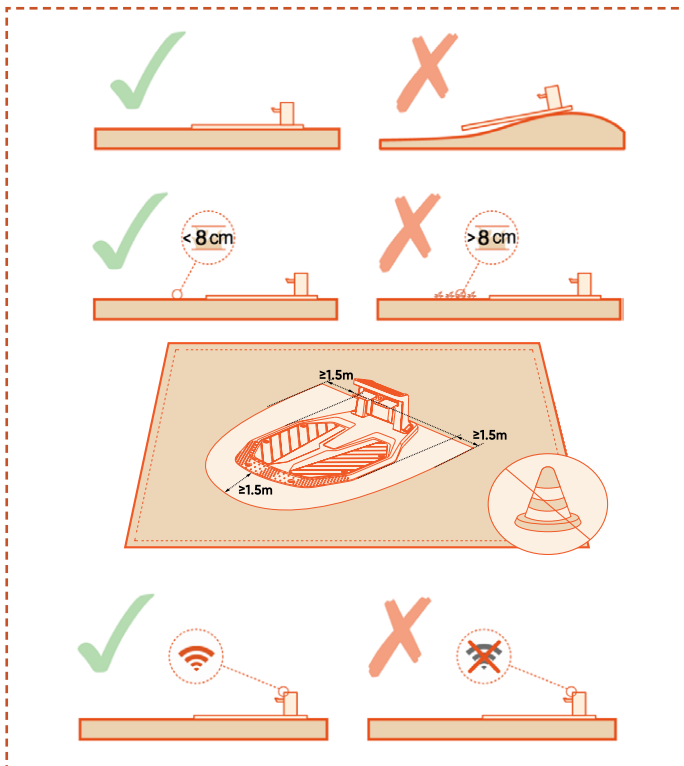
Taispeántar cineálacha faiche molta sna pictiúir thíos:



4.2 Suiteáil an Stáisiún Luchtaithe

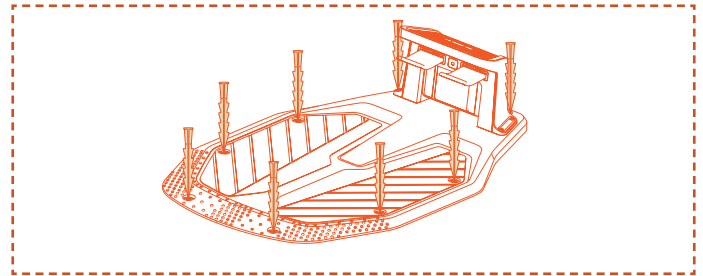
Aimsigh suíomh ceart

Cinntigh go bhféadfaidh an lomaire faiche imeacht go rathúil agus filleadh ar an stáisiún luchtaithe, suiteáil an stáisiún luchtaithe ar thalamh cothrom oscailte atá clúdaithe le WiFi tí. Níor cheart go mbeadh aon chonstaicí laistigh de 1.5 m os comhair an stáisiúin luchtaithe. Má tá féar ann, ba chóir go mbeadh sé níos ísle ná 8 cm.

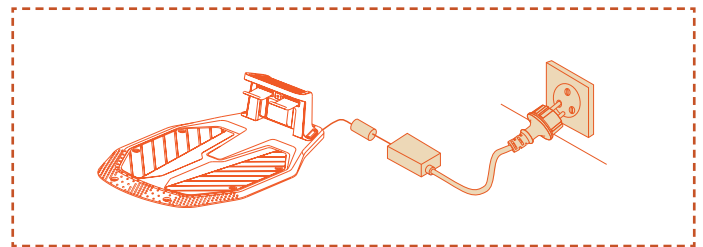


Suiteáil an stáisiún luchtaithe

A. Suiteáil an stáisiún luchtaithe le tairní ar thalamh neamhchruaite agus cothrom.



B. Ceangail an corda cumhachta leis an soláthar cumhachta. Má tá achar suntasach idir an stáisiún luchtaithe agus an soláthar cumhachta, cinntigh go bhfuil an corda cumhachta ceangailte go daingean leis an talamh agus leis an mballa chun oibriú sábháilte a chinntiú.

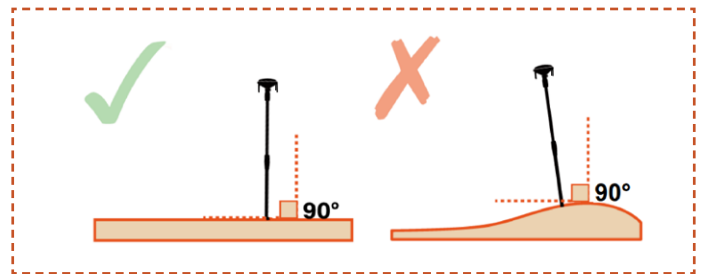


C. Murar féidir oscailteacht iomlán a bhaint amach ar gach taobh, ar a laghad coinnigh an spéir theas glan agus tú sa Leathsféar Thuaidh, nó an spéir thuaidh glan agus tú sa Leathsféar Theas. Déan iarracht an taobh thoir agus thiar a choinneáil saor ó constaicí.

4.3 Suiteáil an Bunstáisiún RTK

Aimsigh suíomh ceart

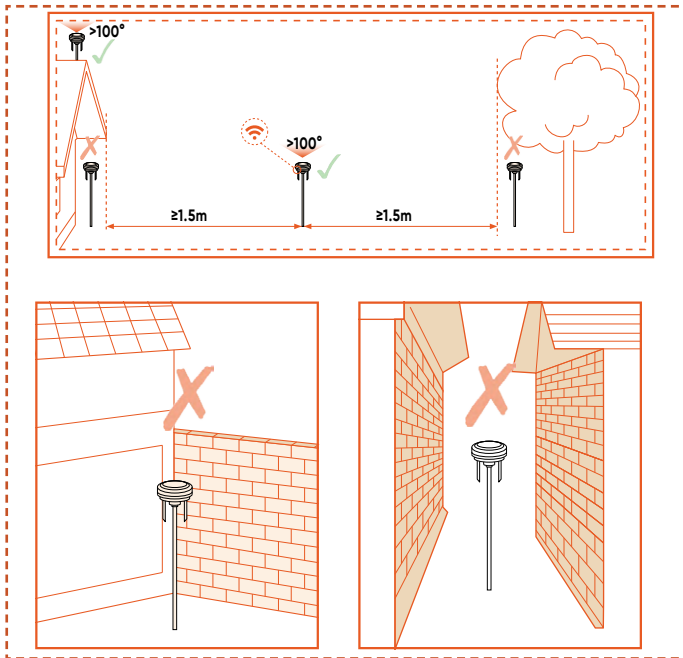
A. Cuir bunstáisiún RTK go ceartingearach. Seachain an bunstáisiún RTK a shuiteáil ar fhána.



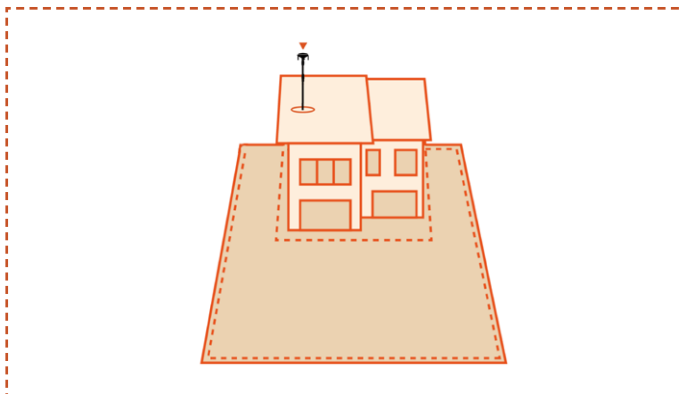
B. Ba chóir go mbeadh an suíomh cumhdaithe ag do Wi-Fi tí.

C. Chun cumhdach maith ar chomharthaí satailíte a chinntiú, suiteáil an stáisiún i spás oscailte agus cothrom gan aon bhac ar an gcomhartha, áit a bhfuil uillinn glactha comhartha soiléir 100° ar a laghad aige agus an spéir le feiceáil gan bhac.

D. Ní mór an fad idir an bunstáisiún RTK agus balla nó crainn a bheith níos mó ná 1.5 m.



E. Má tá faichí ar leith agat nó má tá d'fhaiche múnlaithé cosúil leis an litir "O", "U", molaimid duit an bunstáisiún RTK a shuiteáil ar an dón nó ar an mballa.



F. Murar féidir oscailteacht iomlán a bhaint amach ar gach taobh, ar a laghad coinnigh an spéir theas glan agus tú sa Leathsféar Thuaidh, nó an spéir thuaidh glan agus tú sa Leathsféar Theas. Déan iarracht an taobh thoir agus thiar a choinneáil saor ó chonstaicí.

Suiteáil an bunstáisiún RTK

- Bain úsáid as tairní chun bunstáisiún RTK a shuiteáil in áit a bhfuil foinse cumhachta insroichte aige.
- Ceangail an cábla sínte agus an luchtair leis an bunstáisiún RTK
- Plugáil an bunstáisiún RTK isteach san fhoinsé cumhachta.

Seiceáil an comhartha satailíte



Táscaire Suímh Solas

- Glas soladach: Comhartha satailíte maith ag an suíomh seo.
- Oráiste soladach: Comhartha satailíte lag ag an suíomh seo; moltar an bunstáisiún a athshuiteáil i limistéar le comhartha níos fearr, saor ó bhacainní.
- Dearg soladach: Comhartha satailíte an-lag ag an suíomh seo; ní mór duit an bunstáisiún a athshuiteáil i limistéar le comhartha níos fearr, saor ó bhacainní

Solas Táscaire Wi-Fi

- Glas soladach: Wi-Fi nasctha agus rochtain freastalaí bunaithe
- Glas bladmach: Wi-Fi ag nascadh nó gan a bheith ceangailte leis an bhfreastalaí
- Gan solas glas: Níl Wi-Fi nasctha

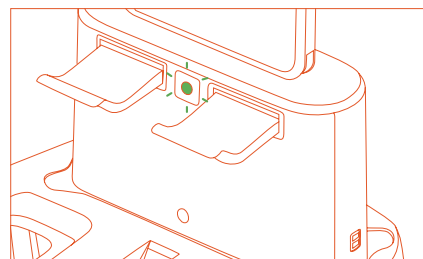
Solas Táscaire Sár Wi-Fi

- Glas soladach: Gnáthchumarsáid
 - Glas bladmach: Péireáil ar siúl
 - Gan solas glas: Mínormáltacht cumarsáide
- ### Solas Táscaire Cumhachta
- Glas soladach: Mínormáltacht cumhachta
 - Glas bladmach: Gnáthchumhacht
 - Gan solas glas: Gan chumhacht

4.4 Luchtaigh agus Gníomhachtaigh an Lomaire

Luchtaigh an lomaire

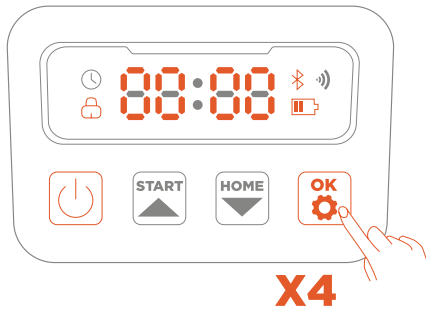
Brúigh an lomaire isteach sa stáisiún luchtaithe, cinntigh go nascann na leictreoidí luchtaithe i gceart. Léiríonn an solas glas bladmach ar an stáisiún luchtaithe gnáthluchtú.



Gníomhachtaigh an lomaire

- Brúigh ar feadh tamaill ar an gcumhacht ar an gcnaipe agus cuir isteach an pasfhocal. Is é an cód PIN réamhshocraithe ná "0000". Brúigh OK gach uair a chuireann tú 0 isteach chun an próiseas socraithe a chríochnú.
- Agus an pasfhocalá chur isteach agat, is féidir leat an cnaipe START a úsáid mar an eochair móide (+) agus an cnaipe BAILE mar an eochair lúide (-).

C. Más mian leat an pasfhocal a athrú, brúigh ar feadh tamaill ar an gnaípe tosaigh agus baile ag an am céanna chun an pasfhocal a athrú.



Nóta

Má fhanann an solas táscaire múchta fiú nuair a sholáthraítear an chumhacht i gceart, téigh i dteagmháil leis an tacaíocht do chustaiméirí.



Rabhadh

- Ná scaoil an luchttaire ar an talamh laistigh de na teorainneacha fíorúla.
- Má tá an stáisiún luchtaithe suiteáilte laistigh de na teorainneacha fíorúla, déan an corda sínte a dhaingniú go dtí an talamh chun oibriú ceart an lomaire a chinntiú.



RABHADH

- NÁ luchtai gh má dhéantar damáiste don mheaisín, don luchttaire, don stáisiún luchtaithe nó don soicéad cumhachta.
- NÁ gearr an lomaire nuair a bhíonn an teocht os cionn 40 °C (104 °F), nó faoi bhun 5 °C (41 °F). Ní tharlóidh luchtú má sháraítear na teorainneacha teochta.
- Stop an luchtú láithreach má tá boladh neamhghnácha, fuaim nó solas le feiceáil.
- Seachain luchtú in aice le hábhair inadhainte nó pléascacha.

4.5 Nasc Aipe

NÓTA

Tá na léaráidí seo a leanas maidir leis an Aip chun críocha taispeána amháin. Féadfaidh na roghanna atá ar fáil a bheith éagsúil ag brath ar leagan bogearraí.

Conas an AIP Sunseeker a úsáid

- Bí cinnte go bhfuil an meaisín ar an stáisiún luchtaithe agus á luchtú i gceart.
- Scan an cód QR chun an Aip Robotic Mower a íoslódáil, nó cuardaigh "Robotic Mower" sa Google Play Store (Android) nó sa Apple AIP Store (iOS) chun an socrú a chríochnú.



iOS



Android



C. Cruthaigh cuntas nua agus sínigh isteach. Cuir Bluetooth agus Wi-Fi do ghutháin air. Scan cód QR SN an mheaisín chun do lomaire faiche róbatach a chur leis. Tar éis péireáil rathúil, cuir isteach an pasfhocal réamhshocraithe meaisín 0000. Is féidir pasfhocail a athrú ar an bhfón.

D. Cumraigh do Wi-Fi don mheaisín san aip. Ní mór an meaisín a nascadh leis an Wi-Fi céanna le do ghuthán póca. Cuir isteach d'ainm wifi baile agus do pasfhocal.

E. Nasc leis an Wi-Fi. Nuair a bheidh an nasc rathúil. Nuair a bheidh an nasc rathúil, beidh an deilbhín Wi-Fi ar an róbat agus AIP lasta.

F. Ainmnigh do róbat.

NÓTA

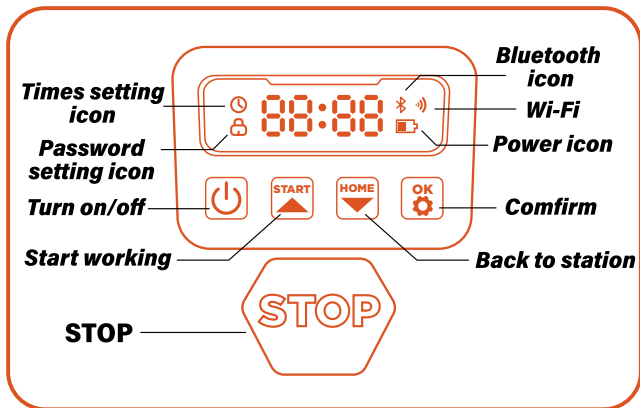
Nuair is gá, iarrfaidh an Aipe rochtain ar líonrú Bluetooth agus Wi-Fi, chun socrú cuí agus feidhmiúlacht sa todhchaí a chinntiú, deonaigh rochtain ar na gnéithe seo.

Bain úsáid as AIP Robotic Mower chun

- Ceangail agus gníomhachtaigh an lomaire.
- Mapa a chruthú (limistéar oibre).
- Monatóireacht a dhéanamh ar stádas agus dul chun cinn oibre an lomaire, agus a chuid oibríochtaí a rialú go cianda amhail tosú, stopadh, nó filleadh ar an stáisiún luchtaithe.
- Féach ar agus athraigh socrúithe oibre lomairí (Sceideal gearrtha, Airde gearrtha, Bainistíocht mapála).
- Féach ar agus athraigh socrúithe slándála/feidhme lomairí (PIN, Stad Lainne, srl.).
- Nuashonraigh nó féach ar leagan doctearraí an ghléis, féach ar stádas nasc líonra.
- Dícheangail, athraigh, nó cuir gléasanna leis.
- Faigh eolas cabhrach agus tacaíocht iar-díolacháin.

5. Oibriúchán Laethúil

5.1 Taispeáint agus Rialú ar an Lomaire Taispeáint



Deilbhín cumhachta: Taispeánann an deilbhín cumhachta ceallra an chumhacht atá fagtha sa mheaisín. Léiríonn an deilbhín seo a thaispeánann 1 barra go bhfuil an chumhacht ag 30% nó níos lú, léiríonn 2 bharra go bhfuil an chumhacht fágtha idir 31-66%, agus léiríonn 3 bharra cumhacht ag 67% agus níos airde.

Deilbhín Wi-Fi: Léiríonn an deilbhín Wi-Fi cibé an bhfuil an meaisín ag nascadh go rathúil leis an Wi-Fi nó nach bhfuil.

Deilbhín Bluetooth: Léiríonn an deilbhín Bluetooth cibé an bhfuil an meaisín nasctha le Bluetooth go rathúil nó nach bhfuil.

Deilbhín um socrú ama: Léiríonn an deilbhín um socrú ama go bhfuil an an meaisín tar éis dul isteach sa mhodh um socrú ama.

Deilbhín um socrú pasfhocail: Léiríonn an deilbhín glasála atá ag soilsíú go gcaithfidh tú an pasfhocal a chur isteach nó pasfhocal an mheaisín a athrú.

Taispeántas an deais: Taispeánann taispeántas an deais na stáit agus na modhanna éagsúla ina bhfuil an meaisín:

. **díomhaoin:** Tá an meaisín i mód fuireachais agus níl aon tascanna á gcur i gcrích ag an am seo.

. **Solas ag soilsíú:** Tá an meaisín i mód oibre. Ag an am seo, tá an diosca ag rothlú ag ardluais. Coinnigh ar shiúl uaidh le do thoil.

. **----**: Nuair a bhíonn an mhoill báistí ar siúl, aithníonn an meaisín go bhfuil sé ag cur báistí ag an nóiméad seo, críochnaíonn sé an obair reatha agus fillteann sé ar ais chuig an stáisiún luchtaithe.

. **stad:** Brúadh an cnaipe stad éigeandála ar an meaisín.

Rialú Bunúsach

Cuir ar: Brúigh agus coinneigh an cnaipe cumhachta ar feadh 2 soicind.

Múch: Brúigh agus coinneigh an cnaipe cumhachta ar feadh 3 soicind.

Ní féidir an lomaire a mhúchadh nuair atá sé sa stáisiún luchtaithe. Nuair a bheidh an lomaire múchta, feicfidh tú an focal "bye" ar taispeáint ar an deais agus ansin múchfar an scáileán.

Tosaigh ag obair/Cuir ar siúl: Brúigh an cnaipe START agus ansin OK.

Ar ais go stáisiún/Múch: Brúigh an cnaipe HOME agus ansin OK.

Cuir stop leis an oibríocht lomaire: Brúigh STOP.

Atosaigh an lomaire: Brúigh agus coinneigh an cnaipe cumhachta ar feadh 10 soicind chun an meaisín a mhúchadh, ansin é a chasadh air arís nó an meaisín a bhrú go díreach isteach sa stáisiún luchtaithe agus é a nascadh leis na leictreoidí luchtaithe ar an stáisiún.

5.2 Athraigh an cód PIN

Má tá stádas glas ag an lomaire, cuir isteach an cód PIN sula n-oibrítear an lomaire de láimh. Is féidir an cód réamhshocraithe a athrú tríd an AIP Robotic Mower.

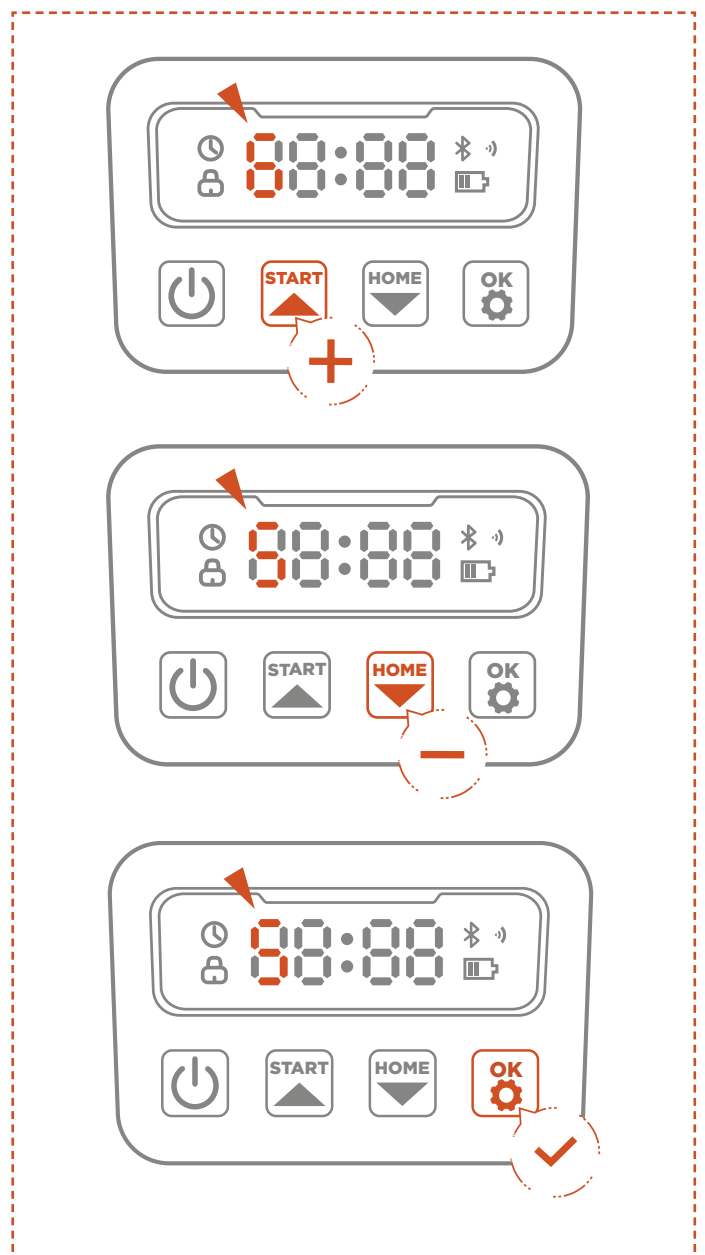
A. Brúigh fada ar START agus ar na cnaipí HOME ar feadh 3 soicind.

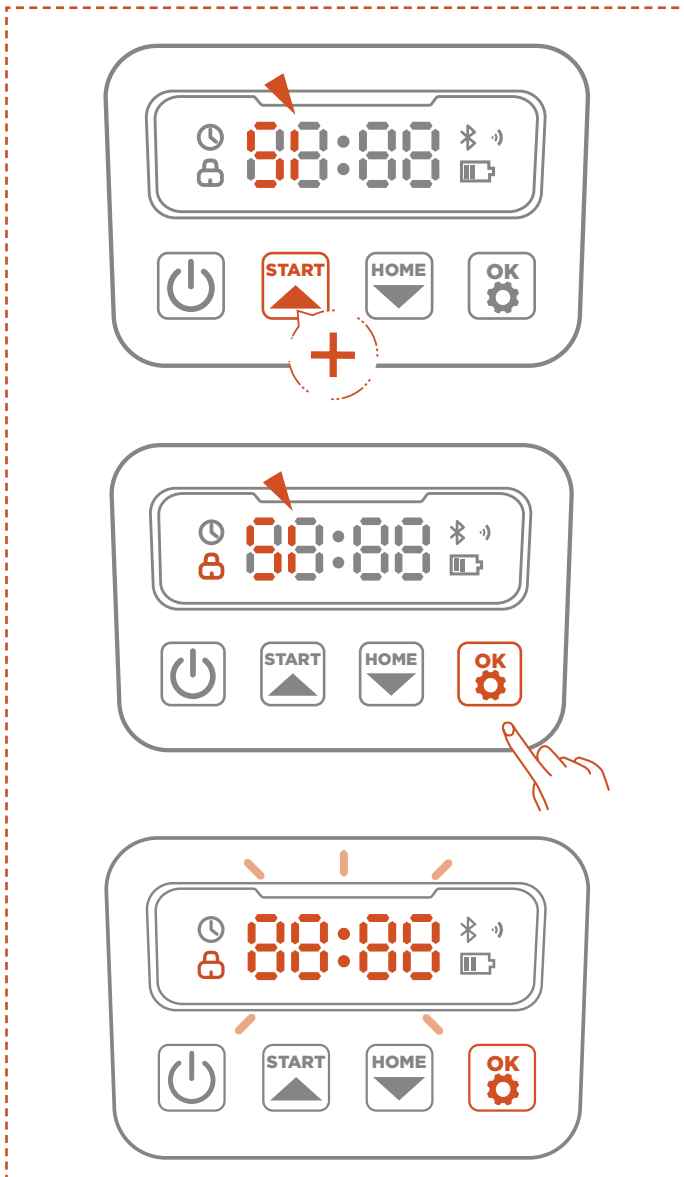
B. Nuair a thaispeánfar PIN1, agus ina dhiaidh sin "0---", cuir isteach an sean-phasfhocal.

C. Nuair a thaispeánfar PIN1, agus ina dhiaidh sin "0---", cuir isteach an pasfhocal nua. Brúigh OK chun a dhearbhu.

Nóta

Má tá an cód pin ionchurtha mícheart, taispeánfaidh an taispeáint "ERR".





5.3 IoT

Is gléas Idirlín na Rudaí Nithiúla (IoT) é an Platform X. Nasc an lomaire leis an Idirlíon trí líonra ceallach nó trí do líonra Wi-Fi, ag cumasú na bhfeidhmiúlachtaí seo a leanas:

A. Nuashonruithe Firmware Thar-an-Aer (OTA), coinnigh do lomaire nuashonraithe go dtí na gnéithe is déanaí.

B. Cumasaigh cianrialtán tríd an líonra:

tosú ag gearradh, stop a ghearradh, fillleadh ar an stáisiún luchtaithe, socraigh sceideal gearrtha, socraigh airde gearrtha agus feidhmeanna eile.

C. Monatóireacht a dhéanamh go cianda ar dhul chun cinn na gearrtha agus suíomh na lomairí.

D. Tuairiscigh cóid earráide agus stádas an lomaire tríd an líonra.

Wi-Fi

Úsáideann Platform X Wi-Fi chun nascadh le líonra. Féach ar Shocrú Wi-Fi le haghaidh tuilleadh sonraí.

NÓTA

- Ní thacaíonn Platform X ach le líonra Wi-Fi 2.4GHz.

- Má tá feiste iOS á úsáid agat, ní féidir leis an lomaire ach ceangal leis an Wi-Fi a bhfuil do ghléas soghluaiste ceangailte leis. Lean na treoracha san aip le do thoil. Ceangail do ghléas soghluaiste leis an Wi-Fi ar dtús, ansin ceangail an lomaire leis an Wi-Fi céanna. Níl aon cheanglais den sórt sin ann maidir le feistí Android.

Nuashonruithe dochtearraí

Leanfaimid orainn ag nuashonrú dochtearraí an lomaire. Má tá leagan nua den dochtearraí, gheobhaidh tú preabfhógra san AIP. Moltar duit nuashonrú a dhéanamh chomh luath agus a bheidh an dochtearraí is déanaí ar fáil.

Agus an dochtearraí á nuashonrú, ní mór na coinníollacha thíos a chomhlíonadh:

- Tá an meaisín ar an stáisiún luchtaithe.
- Tá an líonra ceangailte.
- Tá an chumhacht ceallra níos mó ná 30%.
- Níl aon phlean gearrtha in uair an chloig.

Sa phróiseas nuashonraithe, beidh an solas comhthimpeallach ag splancadh gorm ar an lomaire. Is féidir leat dul chun cinn an nuashonraithe a fheiceáil ar d'aip. Tar éis don nuashonrú a bheith críochnaithe, iompóidh solas comhthimpeallach an lomaire go glas.

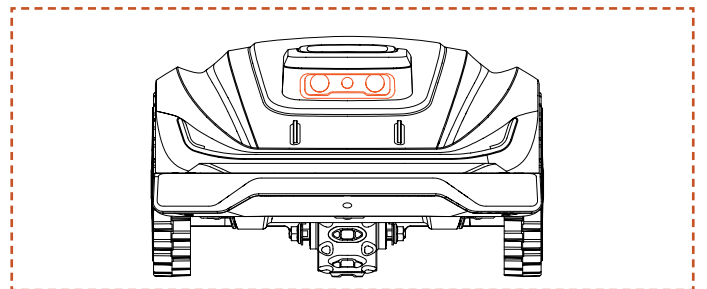
! RABHADH

- NÁ bog an lomaire le linn an phróisis nuashonraithe.

5.4 Constaicí a Sheachaint

Ceamara déshúileach

Tá ceamara déshúileach mar chuid de threalamh caighdeánach Platform X. Tá siad deartha chun teorainn amhairc a bhrath, bacainní a sheachaint roimh ré agus aitheantas amhairc ar chóid QR le linn an phróisis luchtaithe, rud a fhágann go bhfuil an lomaire níos cliste.



NÓTA

- Is féidir le hobair i dtimpeallachtaí dorcha difear a dhéanamh ar chumas an mheaisín constaicí a aithint go cruinn agus go tapa chun iad a sheachaint. Moltar gan an meaisín a oibriú san oíche.

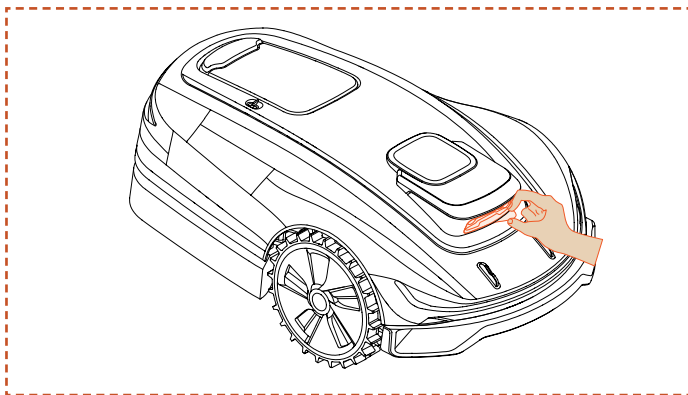
- Má tá an iomarca constaicí ar an bhfaiche agat, smaoinigh ar chriosanna gan dul timpeall orthu a bhunú nó deireadh a chur le cuid de na constaicí chun éifeachtúlacht an mheaisín a fheabhsú.

Aitheantas intleachta saorga

Déanann AIR Sunseeker (Aitheantas intleachta saorga) sábháilteacht agus slándáil a athshainiú le VSLAM agus AIR Sunseeker dílseánaigh ceamara-bhunaithe, ag cur Réimse Radhairc (FOV) níos leithne ar fáil chun constaicí a bhrath, ag súil lena láithreach, agus ag athrú bealach an lomaire go saineolaí chun iad a sheachaint. Tá gnéithe seachanta constaicí deartha chun feidhmíocht do lomaire a mhéadú agus do shábháilteacht a fheabhsú.

Braiteoir tuairteora

Tá braiteoirí suiteáilte taobh istigh den Platform X chun constaicí a bhrath. Nuair a bhuaileann an tuairteoir constaic agus go spreagann sé an braiteoir, rachaidh an lomaire ar ais agus seachnóidh sé an chonstaic.



NÓTA

- Tá do Platform X in ann rudaí a sheachaint tar éis bualadh isteach iontu. Mar sin féin, moltar an iomarca tranglam a bhaint roimh ghearradh.

6. Cothabháil

- A.** Bain sult as torthaí gearrtha níos fearr agus fadaigh saolré do lomaire le Cothabháil.
- B.** Tá iniúchadh agus cothabháil rialta ag duine fásta gach seachtain riachtanach chun feidhmíocht optamach an mheaisín a chinntiú.
- C.** Cosain d'fholláine trí chloí le treoirlínte sábháilteachta: staon ó chothabháil a dhéanamh agus tú ag caitheamh cuaráin oscailte nó a bheith cosnochta.
- D.** Tabhair tús áite do shábháilteacht i gcónaí trí bríste fada agus bróga oibre a chaitheamh le linn seirbhísiú lomairí.
- E.** Athsholáthair aon chodanna damáiste nó caite go pras chun oibriú gan uaim a ráthú.

Ní cheadaítear ach do theicneoirí seirbhíse údaraithe an urrann fonnaidh atá taobh thiar den tuairteoir a oscailt agus a athshéalú. Féadfar an Barántas Teoranta a bheith curtha ar neamhní má dhéanann tú do sheirbhísiú féin.

FÓGRA: ÁRACHAS

Seans nach mbeidh tú clúdaithe le haghaidh timpistí a bhaineann leis an táirge seo ag do pholasaithe árachais. Téigh i dteagmháil le do sholáthraí árachais nó do ghníomhaire le fáil amach an bhfuil clúdach á thairiscint.

6.1 Glanadh

- A.** Múch an lomaire.
- B.** Bain úsáid as scuab mhín nó éadach chun an taobh amuigh a ghlanadh go cúramach, ag seachaint aon tuaslagóirí creimneach mar alcól, gásailín nó aicéatón. D'fhéadfadh na substaintí seo dochar a dhéanamh d'aeistéic agus do chomhpháirteanna inmheánacha do lomaire.

NÓTA

- Le haghaidh nascadh gan uaim, tá sé ríthábhachtach an stáisiún luchtaithe a scrúdú agus a ghlanadh go rialta ó aon bhruscar nó carnadh láibe.
- Cinntigh go bhfanfaidh na codanna nascála go léir den stáisiún luchtaithe, den chábla sínte agus den soláthar cumhachta gan bhac le haghaidh na feidhmíochta is fearr.

Fonnadh agus diosca lainne

- A.** Chun an fonnadh agus an diosca lainne a ghlanadh, moltar scuab nó píobán uisce a úsáid.
- B.** Ná húsáid niteoir ardbhrú toisc go bhféadfadh sé damáiste a dhéanamh.
- C.** Cinntigh go rothlaíonn an diosca lainne go réidh agus go bhfuil an cumas ag na lanna gluaiseacht gan aon srianta.



AIRE

- Is féidir le huisce ardbhrú sceitheadh isteach sna séalaithe agus damáiste a dhéanamh do pháirteanna leictreonacha agus meicniúla.

Rothaí

Is féidir le féar ar na rothaí dochar a dhéanamh ar fheidhmíocht an lomaire agus é ag dreapadh fánaí. Bain úsáid as an scuab chun láib nó rudaí eile a bhaint eatarthu chun greim maith a chinntiú.

Braiteoir báistí

- Seiceáil an braiteoir báistí uair sa mhí agus déan cinnte nach bhfuil sé clúdaithe le láib, féar nó rudaí eile.
- Nigh láib, féar nó rudaí eile amach nó úsáid scuab bog chun é a ghlanadh.
- Triomaigh an limistéar braiteora tar éis a ghlanadh chun cosc a chur air óna bheith spreagtha mar a bheadh sé ag báisteach.

Ceamara

Glan an ceamara go rialta chun é a choinneáil glan.



RABHADH

- Déan cinnte go bhfuil an lomaire múchta roimh é a ghlanadh.
- Nuair a bhíonn an lomaire bun os cionn, cas as é.

6.2 Athsholáthar na Lann

Ar mhaithe le feidhmíocht agus sábháilteacht gearrtha feabhsaithe, moltar scriúna agus lanna an lomaire a athrú gach 1-2 mhí má úsáidtear é go minic. Le haghaidh córas gearrtha sábháilte, athsholáthar na lanna go léir mar aon lena scriúna ag an am céanna. Déan tagairt don alt "Sonraíocht - gabhálaís" le haghaidh páirteanna is féidir a úsáid.

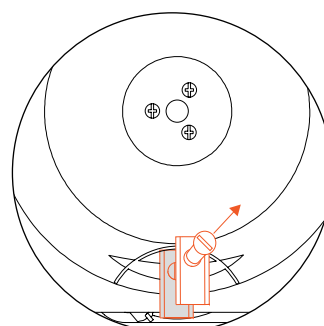
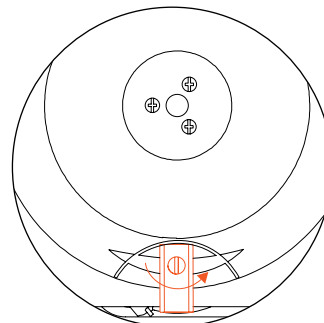
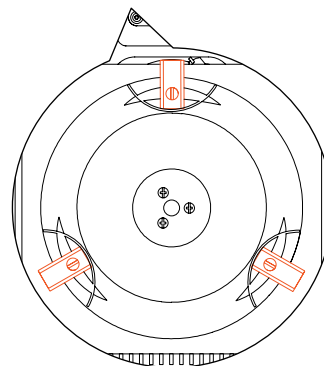
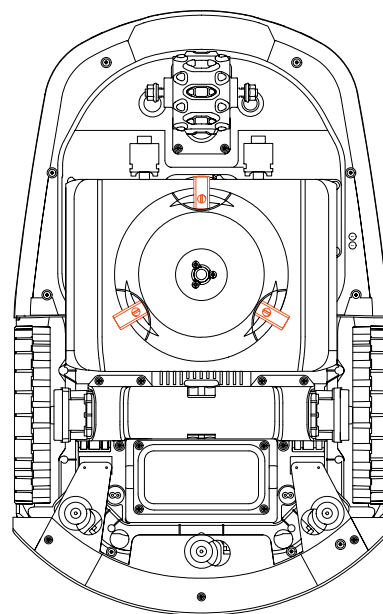


RABHADH

- Agus tú ag iniúchadh nó ag seirbhísiú an lann, caith lámhainní tiubh.
- NÁ athúsáid na scriúna. D'fhéadfadh gortú tromchúiseach a bheith mar thoradh air seo.
- Molaimid go láidir úsáid a bhaint as na scriúna cearta agus na lanna bunaidh a dhíolaimid. (UIMH.80201457).

Conas na lanna a athsholáthar

- Múch an lomaire.
- Socraigh an lomaire bun os cionn ar dhromchla bog gan salachar chun scríoba a chosc.
- Bain úsáid as scríúire tras-tip chun na scriúna a scaoileadh.
- Bain na scriúna agus lanna.
- Ceangail na lanna agus na scriúna nua (Torc: 1.0+0.2 N.m). Bí cinnte gur féidir leis na lanna bogadh gan srian.



NÓTA

- Úsáid torc caighdeánach 1.0 0.2 N.m chun na scriúna a athsholáthar. D'fhéadfadh fadhbanna inseachanta a bheith mar thoradh ar thorc mícheart.

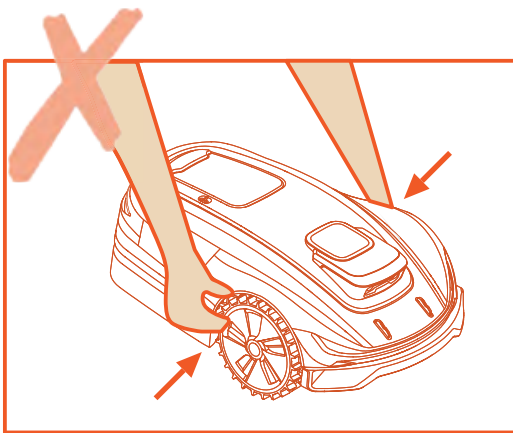
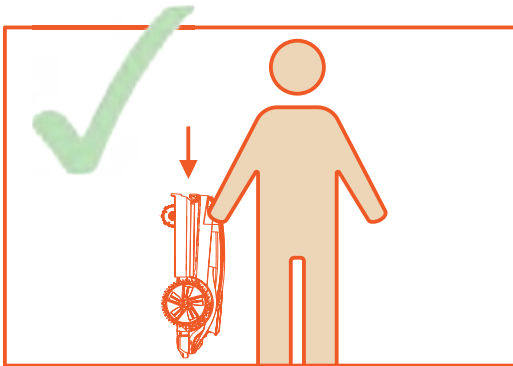
- Cinntigh go bhfuil an lomaire múchta agus seiceáil na lanna chun iad a chur i gceart. Seiceáil le haghaidh torann neamhghnácha nó croitheadh.

6.3 Iompar

Cinntigh sábháilteacht an lomaire le linn iompair fad-achair trí úsáid a bhaint as an bpacáistiú bunaidh. Sula ndéanann tú an táirge a ardú, a bhogadh nó a iompar, déan cinnte é a mhúchadh. Déan láimhseáil go cúramach agus seachain fórsa foréigneach, mar shampla caitheamh agus brú trom. Ná tóg nó ná iompair an gearthóir fad is atá an mótar ag rith.

Conas a bhogadh nó a ardú i gceart

Iompair an lomaire leis an hanla. Coinnigh an diosca lanna os comhair ar shiúl ó do chorp.

**6.4 Ceallra**

A. Sula ndéantar é a stóráil, déan an ceallra a luchtú go hiomlán chun ró-urscaoileadh a chosc agus dochar a dhéanamh do na páirteanna leictreacha.

B. Ní chosnóidh an Barántas Teoranta i gcoinne damáiste ceallra ró-urscaoilte.

C. NÁ luchtáigh an pacáiste ceallra ag teocht an aeir faoi bhun 5 °C (41 °F), nó os cionn 40 °C (104 °F).

D. Má dhéantar an pacáiste ceallra a luchtú nuair a bhíonn an teocht an aeir idir 18 °C agus 25 °C, féadfaidh sé a shaol a leathnú agus a fheidhmíocht a fheabhsú.

E. Feidhmíonn pacáiste ceallra is fearr nuair a bhíonn sé á oibriú ag gnáth-theocht an tseomra (20 °C ± 5 °C).

NÓTA

- Braitheann saol na ceallraí ar cé chomh minic a úsáidtear an táirge agus na huaireanta oibre iomlána. Nuair a bhíonn an t-am oibríochta i bhfad níos giorra ná mar is gnách in aghaidh an luchtaithe iomláin nó nach bhfuil an faiche gearrtha go maith, moltar an ceallra a athsholáthar.

Conas an ceallra a athsholáthar

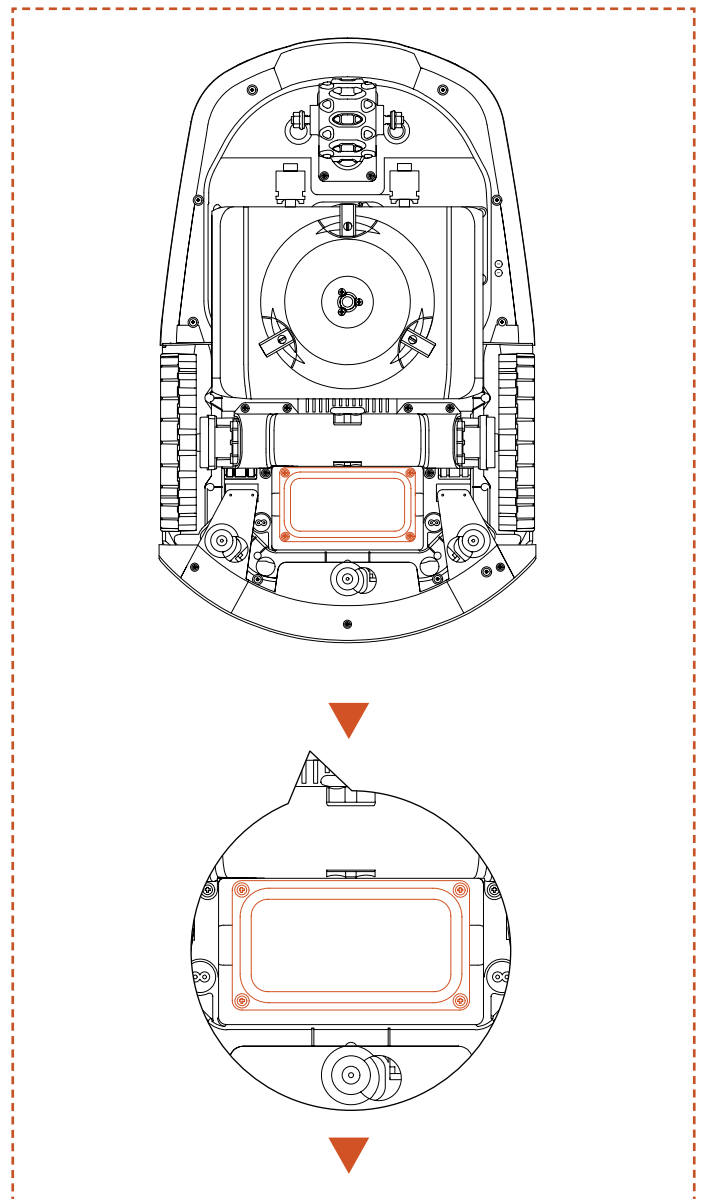
A. Múch an lomaire.

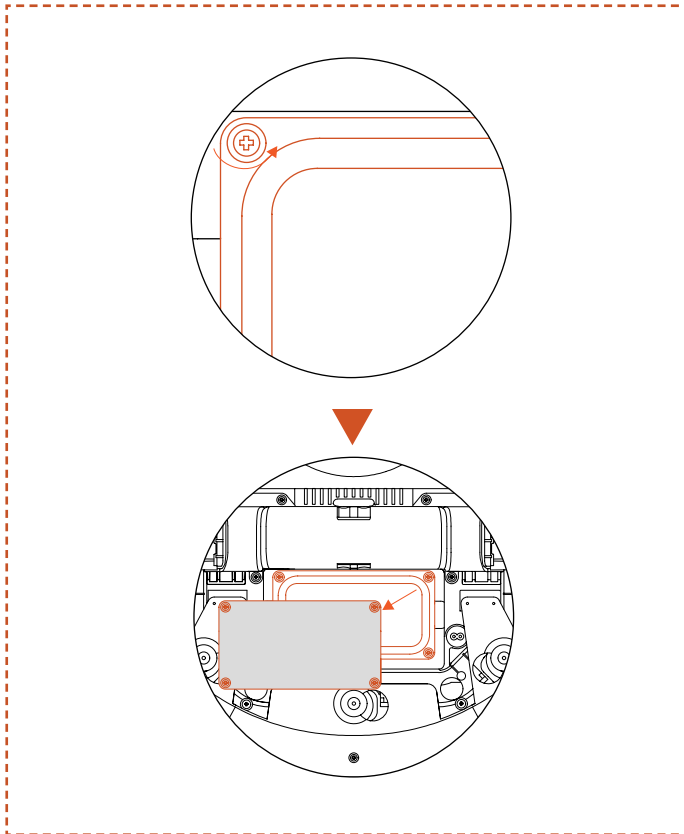
B. Cuir an lomaire faiche bun os cionn ar dhromchla bog gan salachar.

C. Scaoil na 4 scriúna a choinníonn an urrann ceallra in áit iad le scriúire tras-tip.

D. Bain an fhlocóid as an soicéad.

E. Tóg amach an pacáiste ceallra agus cuir an ceann nua ina ionad.





! RABHADH

- Ná húsáid ach an pacáiste ceallra bunaidh nó an pacáiste ceallra den tsamhail chéanna atá sonraithe ag SUNSEEKER. Tá pacáiste ceallra amháin i ngach lomaire.
- Ag brath ar an tsamhail lomaire sonrath, is é 5000 mAh nó 10000 mAh cumas rátáilte an cheallra.
- Ná húsáid ceallraí neamh-in-athluchtaithe. Chun an ceallra a athluchtú, ná húsáid ach an t-aonad soláthair in scortha a sholáthraítear leis an táirge seo.
- Seachain an cásáil ceallra a bhriseadh nó a dhíchóimeáil. Seachain dul i dteagmháil le rudaí miotail chun ciorcaid ghearr a chosc. Coinnigh ar shiúl ó fhoinsí teasa, dóiteáin, agus solas díreach.
- Téigh i dteagmháil le do phointe díolacháin, le d'oifig áitiúil nó réigiúnach um bainistiú dramhaíola, nó le do sheirbhís diúscartha dramhaíola tí le haghaidh tuilleadh eolais faoi dhramhaíl ceallra agus leictreach.
- Níl sé beartaithe an urrann ceallra a oscailt go minic. Má tá ceallra nua ag teastáil, ní mór duit an urrann ceallra a oscailt, ach dó sin amháin.
- Tá leictirlítí sa phacáiste ceallra. Má thagann an sceitheadh leictirlítí i dteagmháil le do chraiceann, nigh le galúnach agus uisce láithreach. Faigh cabhair leighis i gcás teagmhála súl agus sruthlaigh na súile láithreach le go leor uisce ar feadh 15 nóiméad ar a laghad gan chuimilt.

6.5 Soláthar Cumhachta

Déan an soláthar cumhachta a dhícheangal:

- A. Sula ndéantar blocáil a ghlanadh.
- B. Sula ndéantar an meaisín a sheiceáil, a ghlanadh nó a oibriú.

C. Tar éis rud eachtrach a bhualadh chun an meaisín a iniúchadh le haghaidh damáiste.

D. Scrúdaigh go rialta an corda, an breiseán, an imfhálú agus páirteanna eile. Má aimsítear aon damáiste nó comharthaí de dul in aois, cuir deireadh lena úsáid láithreach.

! RABHADH

- NÁ bain úsáid as soláthar cumhachta damáistithe chun oibriú. Chun guais a chosc, ní mór don mhonaróir, a ghníomhaire seirbhíse, nó daoine aonair eile atá cáilithe go cuí an corda soláthair damáistithe a athsholáthar. Má tá an corda sínte lochtach, cuir corda 10 m ceadaithe SUNSEEKER ina ionad.
- NÁ déan teagmháil riamh le cábla sínte nó le corda damáistithe sula ndéantar é a dhíphlugáil ón bhfoinse cumhachta nó nuair atá sé nasctha leis an soláthar cumhachta. Féadfaidh corda damáiste a bheith ina chúis le teagmháil le comhpháirteanna leictreacha.
- Níor cheart an soláthar cumhachta a úsáid le haon ghléas nó ceallra eile toisc go méadaíonn sé seo an baol turraing leictreach, dóiteáin nó díobhála pearsanta. Má úsáideann tú aon rud eile seachas ceallra bunaidh, ní féidir sábháilteacht an táirge a chinntiú.
- NÁ luchtaiigh nuair a bhíonn an ceallraí ag sceitheadh.
- Coinnigh an cábla sínte amach ó pháirteanna guaiseacha a bhíonn ag bogadh chun damáiste do na cordaí a sheachaint, rud a d'fhéadfadh teagmháil a dhéanamh le páirteanna beo.

Moladh

Ceangail an lomaire agus/nó a chuid forimeallach amháin le ciorcad soláthair atá cosanta ag feiste srutha iarmharaigh (RCD) le sruth truipeála nach mó ná 30 mA.

6.6 Stóráil

A. Déan cinnte go bhfuil an lomaire luchtaithe go hiomlán agus múchta sula stóráiltear é chun ró-scaoileadh a chosc, rud a d'fhéadfadh damáiste buan a bheith mar thoradh air.

B. Stóráil in áit thirim, fionnuar taobh istigh. Cuirfidh nochtadh do sholas na gréine agus teochtaí foircneacha (te nó fuar) dlús le próiseas aosaithe na gcomhpháirteanna agus féadfaidh sé damáiste buan a dhéanamh.

C. Coinnigh ceimiceáin agus foinsí teasa (soirn, radaitheoirí, srl.) ar shiúl ón lomaire, stáisiún luchtaithe, agus soláthar cumhachta.

D. Stóráil an soláthar cumhachta i limistéar ina bhfuil aeráil mhaith agus é a chosaint ó thaise.

! RABHADH

- Díphlugáil an soláthar cumhachta ón soicéad cumhachta má thuarat stoirm thoirní. Déan gach sreang agus cábla atá ceangailte leis an stáisiún luchtaithe a dhícheangal. Athcheangail nuair nach bhfuil seans ann go mbeidh stoirm thoirní ann a thuilleadh.

Riachtanais bhreise maidir le stóráil gheimhridh

An lomaire:

- A. Glan an lomaire go maith roimh é a stóráil.
- B. Seiceáil na comhpháirteanna atá faoi réir cuimilte ar nós na lanna.
- C. Déan iad a dheisiú nó a athsholáthar má tá drochbhail orthu.
- D. Déan an lomaire a stóráil in áit thirim agus saor ó sioc, agus é ina sheasamh ar gach roth, b'fhearr sa pacáistiú bunaidh.

An stáisiún luchtaithe:

- A. Dícheangail ón stáisiún luchtaithe agus díphlugáil an soláthar cumhachta ón asraon cumhachta.
- B. Coinnigh an stáisiún luchtaithe as solas díreach agus tabhair taobh istigh é.

6.7 Athchúrsáil agus Diúscairt Deireadh Ré

Ní dramhaíl tí é an táirge seo. Téigh i dteagmháil le do bhargas, do phointe díolacháin, nó do sheirbhís dramhaíola tí chun eolas a fháil ar athchúrsáil.



RABHADH

- Níor cheart an táirge seo a dhiúscairt i líonadh talún, é a dhó, nó a chomhcheangal le bruscar tí rialta. Féadfaidh comhpháirteanna leictreacha a bheith ina gcúis le contúirt nó damáiste tromchúiseach.

7. Ceisteanna Coitianta agus Fabhtcheartú

7.1 Teachtaireacht earráide

Cód Earráide	Brí	Cúis fhéideartha
E1	Róbat lasmuigh den chrios oibre	Conas "Róbat lasmuigh den chrios oibre" a réiteach?
E2	Bloc roth mótair	Tá roth mótair i bhfostú
E3	earráid mótair gearrtha	Tá mótar gearrtha i bhfostú
E4	Róbat tuairteora i bhfostú	1. An iomarca constaicí 2. Deimhnigh an bhfuil an tuairteoir tar éis fanacht san áit cheart.
E5	Róbat ardaithe	Deimhnigh an bhfuil an meaisín ardaithe
E6	Róbat claonta	Deimhnigh an bhfuil an meaisín curtha ar thalamh míchothrom.
E7	Braiteoir uillinn gníomhachtaithe go minic	Deimhnigh an bhfuil an meaisín curtha ar thalamh míchothrom.
E8	Teip ar nascadh leis an stáisiún luchtaithe le linn athluchtaithe	Conas an earráid a réiteach "Teip ar nascadh leis an stáisiún luchtaithe le linn athluchtaithe"?
E9	Róbat gafa	1. Deimhnigh an bhfuil an iomarca constaicí timpeall an meaisín 2. Chuaigh an róbat isteach i spás cúng agus ní raibh sé in ann teacht amach 3. Lomaire ag sleamhnú
E10	Theip ar an uasghrádú	1. Seiceáil an bhfuil an comhartha WiFi an-lag 2. Seiceáil an bhfuil an meaisín ag luchtú ar an stáisiún luchtaithe
E12	Earráid voltas ceallra	1. Cuir an meaisín ar an stáisiún luchtaithe le feiceáil an féidir é a luchtú go hiomlán 2. Thar sruth luchtaithe 3. Thar am luchtaithe 4. Voltas ceallra ró-ard nó ró-íseal
E13	Earráid luchtaithe	Locht ar an luchttaire
E14	Tá an t-achar mapála reatha ró-mhór agus sáraíonn sé an t-achar oibre uasta a dtacaíonn an róbat leis	Tóg mapa nua laistigh de raon cumais ainmniúil an táirge
E15	Roth mótair cúl/locht ar mhótar stiúrtha	Tá an roth mótair cúl/mótar stiúrtha i bhfostú
E16	Locht ar an ingearchló mótair	Tá ardaitheoir an mhótair i bhfostú
E17	Ní féidir an stáisiún luchtaithe a aimsiú	Conas an earráid a réiteach "Teip ar nascadh leis an stáisiún luchtaithe le linn athluchtaithe"?
E18	Ceallra íseal	B'fhéidir nach mbeidh an meaisín in ann filleadh ar an stáisiún luchtaithe le haghaidh gnáthluchtú mar gheall ar earráid éigin. Bog de lámh é chuig an stáisiún luchtaithe d'fhonn é a luchtú.
E19	Theip ar an gceangal	1. Tá 4 chód QR ag taobh deireadh an mheaisín, agus nuair a bhíonn meaisín á chur leis, ní mór duit an chéad chód QR a roghnú. 2. Deimhnigh an bhfuil Bluetooth ar an bhfón casta air agus an bhfuil sé laistigh de raon 1 mhéadar ón meaisín. 3. Ar chuir tú an pasfhocal tosaithe ceart isteach, is é 0000 an réamhshocrú 4. An bhfuil an WiFi ag 2.4GHz? 5. An bhfuil an pasfhocal WiFi ceart?

Cód Earráide	Brí	Cúis fhéideartha
E21	Theip ar thosú RTK	1. Seiceáil an bhfuil an bunstáisiún suiteáilte i gceart agus an bhfuil aon bhacainní ann. 2. Seiceáil an bhfuil bac ar an meaisín 3. Seiceáil an bhfuil aon chonstaicí ollmhóra ag cur bac ar an gcomhartha idir an bunstáisiún agus an meaisín
E22	Earráid ceamara tosaigh	Deimhnigh an bhfuil bac ar an gceamara
E23	Earráid Mapa Fholamh	Cruthaigh mapa le do thoil sula dtosaíonn tú
E24	Comhartha bonn RTK caillte	1. Seiceáil an bhfuil an bunstáisiún casta air. 2. Seiceáil an bhfuil an bunstáisiún suiteáilte i gceart Conas an stáisiún RTK a shuiteáil 3. Seiceáil an bhfuil aon bhac idir an bunstáisiún agus an meaisín 4. Bain triail as athnascadh leis an bunstáisiún
E25	Theip ar an mapáil	1. Deimhnigh an bhfuil an mapa dúnta 2. Deimhnigh an bhfuil dea-nasc WiFi ag an meaisín
E26	Teip ar chalabhrú RTK	Conas an earráid a réiteach "Teip ar chalabhrú RTK"?
EE	Tacaíocht déileálaí ag teastáil	1. Teagmháil lag ar an mbord ceallra 2. Locht ar an gclár taispeána 3. Locht ar an gclár teorann 4. Mínormáltacht boird ilfheidhmeach 5. Locht cruá-earraí 6. Earráidí eile
BP	Earráid teochta ceallra	1. Deimhnigh an bhfuil an teocht chomhthimpeallach ró-ard 2. Deimhnigh an bhfuil an teocht chomhthimpeallach ró-íseal
LOCK	Faoi ghlas. Bain triail eile as tar éis 10 nóiméad.	1. Cuir isteach an pasfhocal ceart 2. Má dhéanann tú dearmad ar do phasfhocal, is féidir leat é a athshocrú go 0000 trí na socruithe monarchan a athshocrú tríd an AIP 3. Mura bhfuil an aip shoghluaiste ceangailte leis an meaisín, déan teagmháil le seirbhís iar-díola
STOP	Stad láimhe	Tá an cnaipe STOP brúite

Treoracha maidir le conas dul ar aghaidh i gcás creathadh neamhghnácha:

- A.** Múch an meaisín.
- B.** Cas an meaisín 180 céim.
- C.** Seiceáil riocht na lann le haghaidh damáiste nó mífheidhm.
- D.** Moltar na trí lanna uile a athsholáthar.
- E.** Cas ar ais an meaisín chun tosú ag obair.

7.2 Fabhtcheartú

Má bhíonn aon fhadhbanna romhat a bhaineann le táirge nó aip, saincheisteanna agus ceisteanna coitianta, seiceáil na hailt CCanna ar shuíomh gréasáin oifigiúil Sunseeker (<https://support.sunseeker-elite.com>) nó ón rannán "Cabhair agus aiseolas" ón AIP .

8. Eolas Tábhachtach

8.1 Príobháideacht Sonraí

Próiseáil sonraí pearsanta laistigh den Platform X

• Cé agus cén fáth?

Nuair a chláraíonn tú agus nuair a úsáideann tú Sunseeker's Platform X, próiseálfaidh Sunseeker (nó "muid"), mar an rialaitheoir, do shonraí pearsanta. Déanfaimid do shonraí pearsanta a phróiseáil chun:

1. Ceangal Platform X a sholáthar duit nó chun tairiscint a dhéanamh duit le haghaidh seirbhíse den sórt sin. Is é an bunús dlí ná go bhfuil an phróiseáil riachtanach chun an Conradh a rinne tú linn a chomhlíonadh, nó chun céimeanna a ghlacadh sula ndéanann tú Conradh linn.
2. Ár gcuid táirgí agus seirbhísí a fhorbairt agus a fheabhsú tuilleadh. Is é an bunús dlí ár leas dlísteanaigh i bhforbairt agus i bhfeabhsú ár gcuid táirgí agus seirbhísí.
3. Cumasaigh nascacht PlatformX (Idirlíon na Rudaí Nithiúla): bain úsáid as comhtháthú comhpháirtíochta (mar shampla cúntóirí cliste, lena n-áirítear gléasanna cumasaithe gutha); ardáin nascachta a úsáid chun Platform X a nascadh le gléasanna, aipeanna agus seirbhísí tríú páirtí; agus do chomhtháthú baile cliste féin a thógáil. Is é an bunús dlí ná go bhfuil an phróiseáil riachtanach chun an Conradh a rinne tú linn a chomhlíonadh.
4. An fhaisnéis ábhartha a sholáthar duit maidir le do thairgí ar Platform X. Is é an bunús dlí ár leas dlísteanaigh chun tú a choinneáil ar an eolas faoi do thairgí agus seirbhísí sonracha agus na gnéithe a bhaineann leis.
5. Tacaíocht agus fabhtcheartú a sholáthar duit maidir le Platform X. Is é an bunús dlí go bhfuil an phróiseáil riachtanach chun an Conradh a ndearna tú linna chomhlíonadh.

Má thug tú do thoiliú dúinn (agus sa chás sin is é do thoiliú an bunús dlí), féadfaimid do shonraí pearsanta a phróiseáil freisin chun na críocha seo a leanas:

1. Seol fógraí agus nuachtlitreacha saincheaptha chugat faoinár gcuid táirgí agus seirbhísí.
2. Seol suirbhéanna custaiméirí chugat agus déan anailís ar an ionchur a chuireann tú ar fáil de réir mar a mhionsonraítear i gcumarsáid den sórt sin.

Próiseálfar do shonraí chomh fada agus a éilíonn Sunseeker iad chun na críocha thuasluaite a chomhlíonadh, ach ní faide ná a cheadaíonn na dlíthe is infheidhme in imthosca ar bith.

• Cad iad na sonraí pearsanta a phróiseálaimid?

Féadfaimid na sonraí pearsanta seo a leanas a phróiseáil:

1. Sonraí pearsanta: ainm agus sloinne, náisiúntacht, roghanna teanga;
2. Sonraí teagmhála: seoladh ríomhphoist, seoladh poist;
3. Faisnéis chuntais: aois chuntais, pasfhocal, uimhir chuntais;
4. Sonraí eile a bhaineann le do Platform X: ainm lomaire, ainmneacha péireála, gníomhartha a spreagtar trí úsáid a bhaint as comhtháthú comhpháirtíochta, agus faisnéis gléis.

• Úsáid de shonraí suímh

Ní oibríonn cuid dár seirbhísí ach amháin más féidir linn suíomh do lomaire a chinneadh (m.sh. taispeánt aimsire). Nuair a roinneann tú do shuíomh lomaire linn, déantar na sonraí a stóráil mar chuid de do phróifíl agus féadfar iad a sheoladh chuig tríú páirtithe i bhfoirm anaithnide chun críocha an tseirbhís ábhartha a sholáthar (m.sh. chun an lomaire a pháirceáil i gcás báisteach throm).

8.2 Barántas Teoranta

Barántas teoranta

Cuirimid bharántas 2 bhliain ar fáil. Sula gcuirtear tús le héileamh baránta, iarraidimid go láidir ort an chuid maidir le Ceisteanna Coitianta agus Fabhtcheartú den lámhleabhar úsáideora a sheiceáil ar dtús. Tá ár dtacaíocht tiomnaithe do chustaiméirí anseo chun cabhrú leat freisin. Chun éilimh ráthaíochta a thionscnamh, cuir cruthúnas ceannaigh ar fáil, lena n-áirítear admháil bhailí ina dtaispeántar dáta agus áit an cheannaigh.

Ní chumhdaítear lenár mbarántas:

Páirteanna atá faoi réir gnáthchaitheamh agus cuimilte, mar shampla geallta talún, dioscaí gearrtha agus ceallra.

8.3 Séanadh

Soláthraímid seirbhísí iar-díola do chustaiméirí, gan na cúinsí seo a leanas a áireamh:

1. Tuairteanna damáiste de bharr fachtóirí neamh-déantúsaíochta, lena n-áirítear, ach gan a bheith teoranta do, earráidí úsáideora.
2. Damáiste de bharr modhnú neamhúdaraíthe, díchoimeáil, nó oscailt scealla ar neamhréir leis na treoracha oifigiúla nó na lámhleabhair oifigiúla.
3. Damáiste de bharr suiteáil mhíchuí, úsáid mhícheart, nó oibriú ar neamhréir le treoracha oifigiúla nó lámhleabhair.
4. Damáiste de bharr soláthraí seirbhíse neamhúdaraíthe.
5. Damáiste de bharr modhnú neamhúdaraíthe ciorcaid agus/nó neamhréir nó mí-úsáid an cheallra agus an luchttaire.
6. Damáiste de bharr úsáideoirí nach leanann na treoracha agus na moltaí atá sa lámhleabhar.
7. Damáiste de bharr oibriú i ndrochriochr faiche (i.e. limistéir mhóra locháin nuair nach bhfuil limistéir shrianta socraithe i gceart, láithreacha le flúirse clocha a chlúdaíonn dromchla na faiche, srl.)
8. Damáiste de bharr oibriú an táirge i dtimpeallachtaí le trasnaíocht leictreamaighnéadach, lena n-áirítear limistéir mhianadóireachta nó gar do thuir tarchurtha raidió, sreanga ardvoltais, fostáisiúin, srl.
9. Damáiste de bharr oibriú an táirge i dtimpeallachtaí a bhfuil cur isteach orthu ó fheistí gan sreang eile, amhail tarchuradóirí, nascanna físe, comharthaí Wi-Fi, srl.
10. Damáiste de bharr saincheisteanna iontaofachta nó comhoiriúnachta nuair a úsáidtear páirteanna neamhúdaraíthe tríú páirtí.
11. Damáiste de bharr oibriú an aonaid le ceallra lochtach no nach bhfuil sách luchtaithe.
12. Damáiste de bharr fachtóirí nach féidir a thuar amhail imbhualtí gluaisteáin, ionsaithe ar ainmhithe fiáine, tuilte, srl. Is féidir an t-ábhar seo a athrú gan fógra a thabhairt roimh ré.

Ráiteas FCC

Comhlíonann an gléas seo cuid 15 de rialacha an FCC Tá an oibríocht faoi réir an dá choinníoll seo a leanas: (1) ní fhéadfaidh an feiste seo a bheith ina chúis le trasnaíocht dhochrach, agus (2) ní mór don feiste seo glacadh le haon chur isteach a fhaightear, lena n-áirítear cur isteach a d'fhéadfadh a bheith ina chúis le hoibríocht neamh-inmhianaithe. D'fhéadfadh athruithe nó modhnuithe nach bhfuil ceadaithe go sainráite ag an bpáirtí atá freagrach as comhlíonadh údarás an úsáideora chun an trealamh a oibriú a chur ar neamhní.

NÓTA

Táthar tar éis an trealamh seo a thástáil agus cinneadh go gcomhlíonann sé na teorainneacha maidir le gléas digiteach Aicme B, de bhun Chuid 15 de na Rialacha FCC. Tá na teorainneacha seo deartha chun cosaint réasúnta a sholáthar ar chur isteach díobhálach i suiteáil chónaitheach. Gineann an trealamh seo úsáidí agus féadann sé fuinneamh radaimhnicíochta a ghathú agus, mura ndéantar é a shuiteáil agus a úsáid de réir na dtreoracha, féadfaidh sé cur isteach go díobhálach ar chumarsáid raidió. Mar sin féin, níl aon ráthaíocht ann nach gcuirfeadh isteach ar shuiteáil áirithe. Má chuireann an trealamh seo isteach go díobhálach ar fháiltiú raidió nó teilifíse, ar féidir a chinneadh tríd an trealamh a mhúchadh agus a chur ar siúl, moltar don úsáideoir iarracht a dhéanamh an cur isteach a cheartú trí cheann amháin nó níos mó de na bearta seo a leanas:

- An aeróg glactha a atreorú nó a athlonnú.
- An deighilt idir an trealamh agus an glacadóir a mhéadú.
- Ceangail an trealamh isteach in asraon ar chiorcad atá difriúil leis an gceann a bhfuil an glacadóir nasctha leis.
- Téigh i gcomhairle leis an díoltóir nó le teicneoir raidió/teilifíse a bhfuil taithí aige/aici chun cabhair a fháil.
- D'fhonn ceanglais nochta FCC RF a chomhlíonadh, ba cheart achar deighilte de 20 cm nó níos mó a choinneáil idir aeróg an ghléis seo agus daoine le linn oibriú an ghléis. Chun comhlíonadh a chinntiú, ní mholtar oibríochtaí níos gaire ná an fad seo.

RABHADH maidir le cill cnaipe nó ceallra boinn:

- a) Bain agus athchúrsáil láithreach nó faigh réidh le ceallraí úsáidte de réir rialacháin áitiúla agus coinnigh ar shiúl ó leanaí.
- b) Ná diúscair ceallraí i mbruscar tí nó ná loisc iad.
- c) D'fhéadfadh gortú tromchúiseach nó bás tarlú fiú ó cheallraí úsáidte.
- d) Cuir gloach ar ionad nimhe áitiúil le haghaidh faisnéise cóireála.
- e) Cineál ceallra: CR2032.
- f) Voltas ainmniúil: 3.0 Vdc.
- g) Níor chóir ceallraí neamh-in-athluchtaithe a athluchtú.
- h) Ná fórsáil díluchtú, athluchtú, díchóimeáil, téamh, os cionn (rátáil teochta sonraithe an déantóra) ná loisc. D'fhéadfadh gortú a bheith mar thoradh ar é seo a dhéanamh de bharr scaoilte, sceitheadh nó pléascadh agus dó ceimiceacha dá bharr.
- i) Tá cill cnaipe nach féidir a athsholáthar sa táirge.



Dearbhú comhréireachta CE

Dearbhú comhréireachta CE

Zhejiang Sunseeker Industrial Co., Ltd.

988 Jinde Rd. Jiangdong Industrial Park, Jinhua, Zhejiang 321000 P.R. AN tSÍN

A Dhearbhú agus dliteanas a ghlacadh maidir le:

Ainm an Bhranda: SUNSEEKER

Ainm an táirge: Lomaire faiche róbatach

Samhail: RMX1600L20V,RMX2000L20V,RMX2500L20V,RMX1602N20V,RMX2002N20V,RMX2502N20V

Tá cuspóir an dearbhaithe a thuairiscítear thuas i gcomhréir leis na Treoracha AE seo a leanas:

1. An Treoir maidir le Trealamh Raidió (2014/53/AE)

2. An Treoir Innealra (2006/42/CE)

3. An Treoir RoHS (2011/65/AE) agus an treoir leasaitheach ((AE)2015/863)

4. An Treoir maidir le Torainn (Iarscríbhinn III de 2000/14/CE arna leasú le 2005/88/CE)

- Leibhéal Brú Fuaime LpA: 52 dB (A), Éiginnteachtaí Brú Fuaime KpA: 3 dB (A)

- Leibhéal Cumhachta Fuaime Ráthaithe arna Dhearbhú: 60 dB (A), Éiginnteachtaí Chumhacht Fuaime KWA: 3 dB (A)

Rinneadh measúnú ar chomhréireacht leis na Treoracha seo don táirge seo trína léiriú go gcomhlíontar na gcaighdeán comhchuíbhíthe agus/nó na sonraíochtaí teicniúla seo a leanas:

EN 50636-2-107: 2015+A1:2018+A2: 2020+A3: 2021

EN 60335-1:2012+A11:2014+A13:2017+ A1:2019 + A2:2019+ A14:2019+A15:2021

EN IEC 55014-1:2021

EN IEC 55014-2:2021

EN IEC 61000-3-2:2019+A1:2021

EN 61000-3-3:2013+A1:2019+A2:2021

EN 301 489-1 V2.2.3

EN 301 489-3 V2.3.2

EN 301 489-17 V3.2.4

EN 301 489-19 V2.2.1

EN 301 489-52 V1.2.1

EN 301 511 V12.5.1

EN 301 908-1 V15.2.1

EN 301 908-13 V13.2.1

EN 303 413 V1.2.1

EN 300 220-2 V3.1.1

EN 300 328 V2.2.2

EN 62311:2008

EN IEC 62311:2020

EN 62321-1:2013

EN IEC 62321-2:2021

EN 62321-3-1:2014

EN 62321-8:2017

EN 62321-4:2014 /A1:2017

EN 62321-5:2014

EN 62321-7-1:2015

EN 62321-7-2:2017

EN 62321-6:2015

EN 62321-8:2017

EN ISO 11094:1991

EN ISO 3744:1995

EN ISO 3744:2010

Eolas faoi Nochtadh RF

Tástáladh an gléas seo agus comhlíonann sé na teorainneacha is infheidhme maidir le nochtadh do Mhínicíocht Raidió (RF).

Ní mór an trealamh seo a shuiteáil agus a oibriú de réir na dtreoracha a chuirtear ar fáil agus ní mór an t-aeróg nó na haeróga a úsáidtear don tarchuradóir seo a shuiteáil chun achar deighilte de 20 cm ar a laghad ó gach duine a sholáthar agus ní féidir é a chomhshuí ná a oibriú i gcomhar le aon aeróg nó tarchuradóir eile.

Sínithe le haghaidh agus thar ceann: Zhejiang Sunseeker Industrial Co., Ltd.

Áit: Jinhua, Zhejiang P.R. AN tSÍN

Dáta: 09-07-2024

Ainm: Harry Ran

Teideal: Príomh-Innealtóir

Síniú: *Harry*

sunseeker
elite

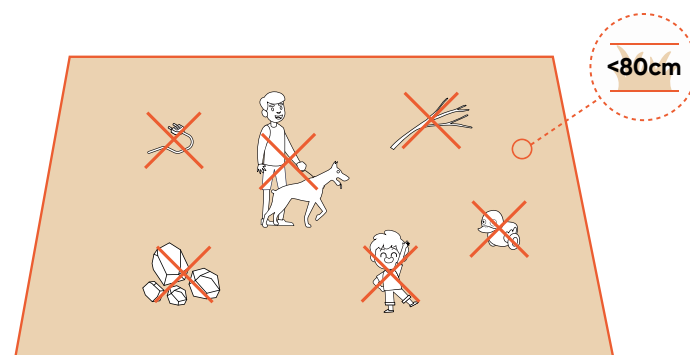
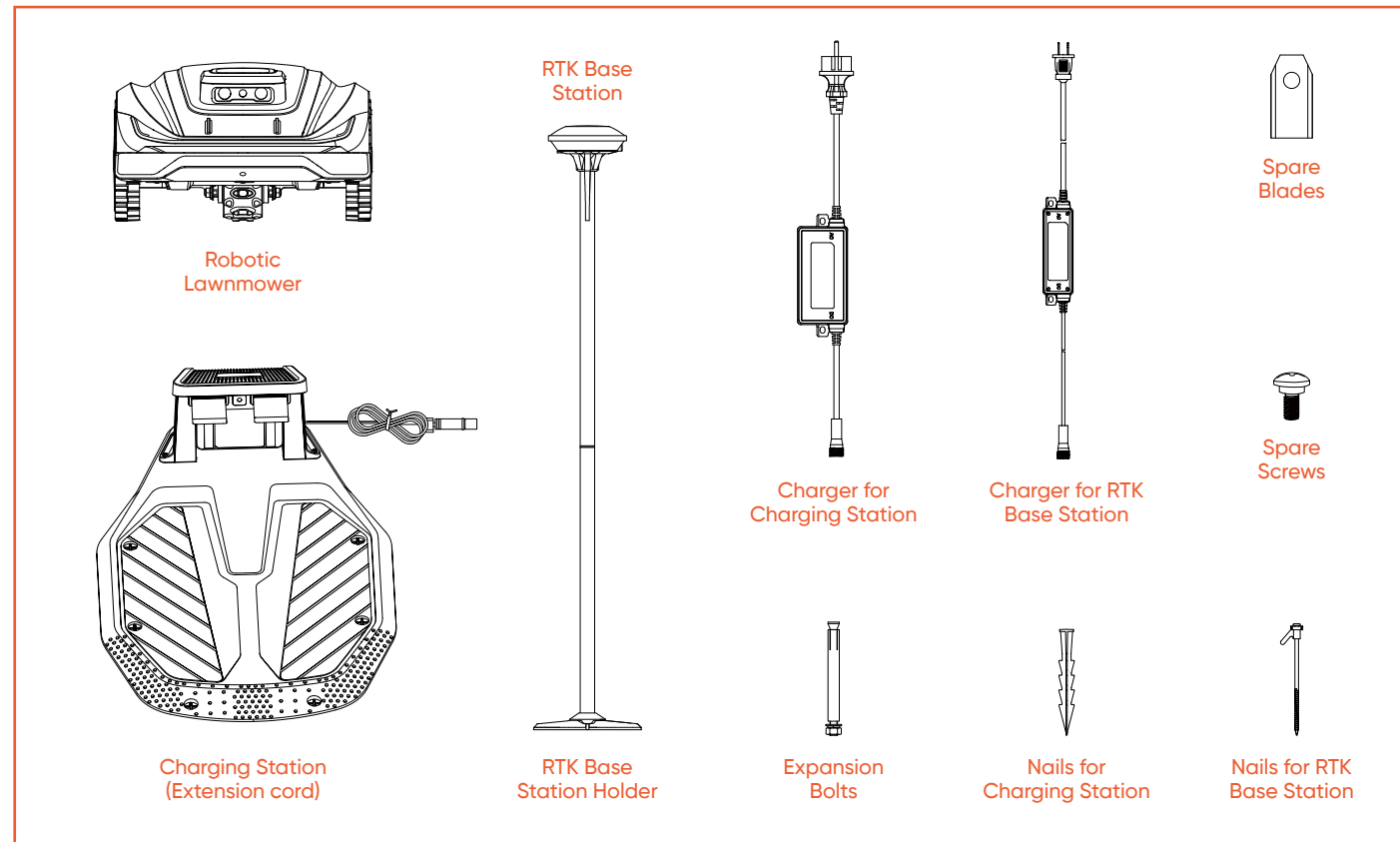
ORION X5

QUICK START GUIDE

sunseeker
elite



1. Clean the lawn and unbox the product



2. Download the app and register a new account



3. Connect your phone to Wi-Fi and enable permissions such as Bluetooth and camera. Add the device by scanning the QR code at the rear of the mower or via Bluetooth



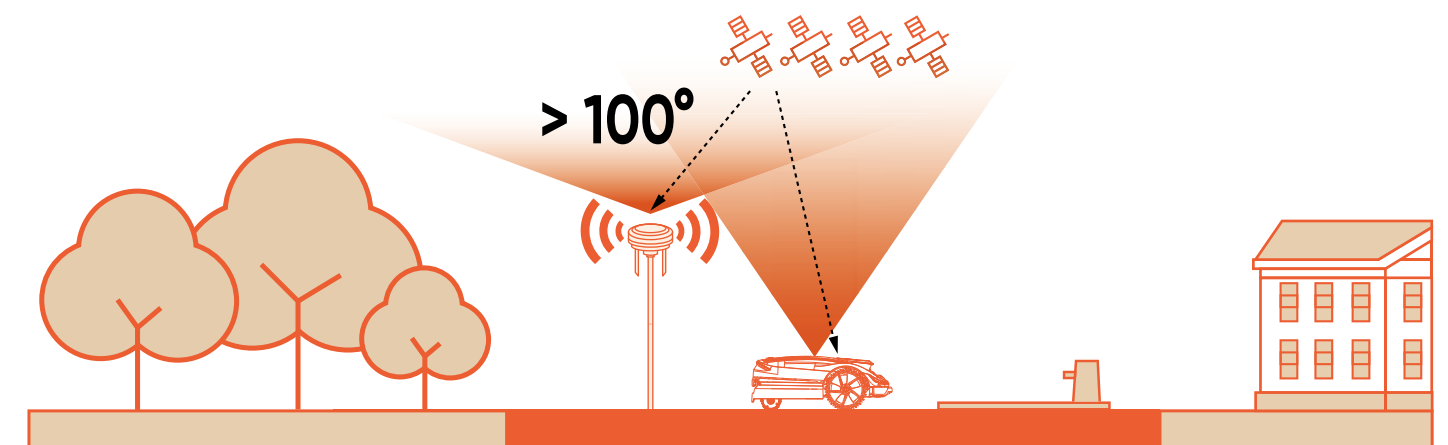
Following the instruction on the App to start your mowing journey

4. Watch the instruction video and install the mower

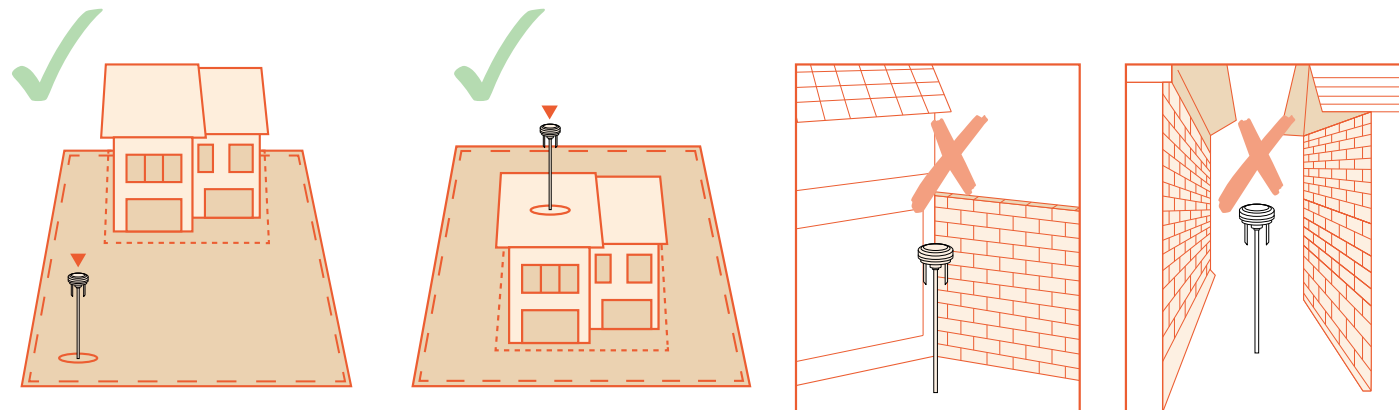
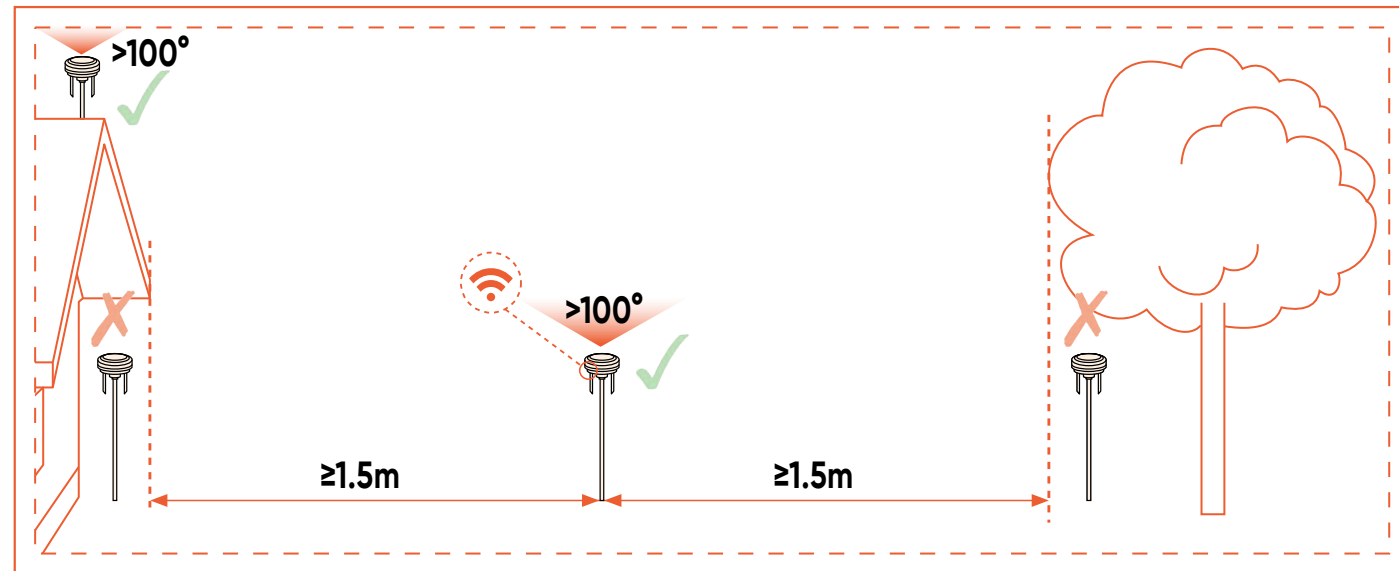


VIDEO

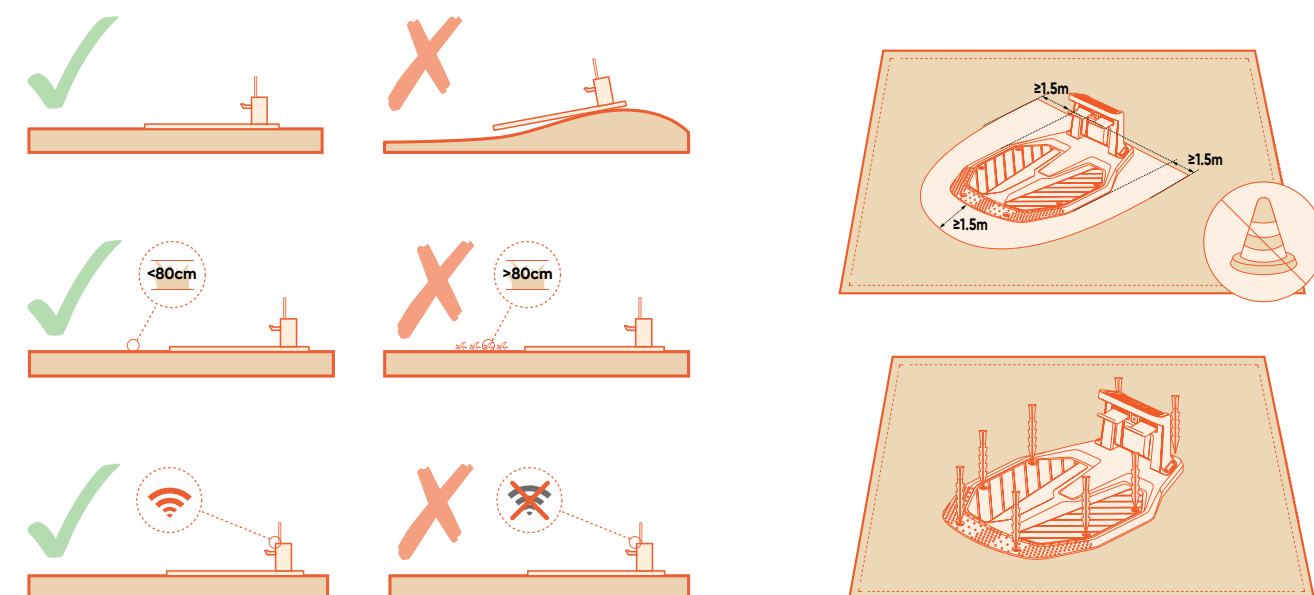
Ensure that the charging station and base station installed in suitable locations (RTK station with at least 100° clear signalreceiving angle with unobstructed sky , charging station with 1.5m of open space in front) .



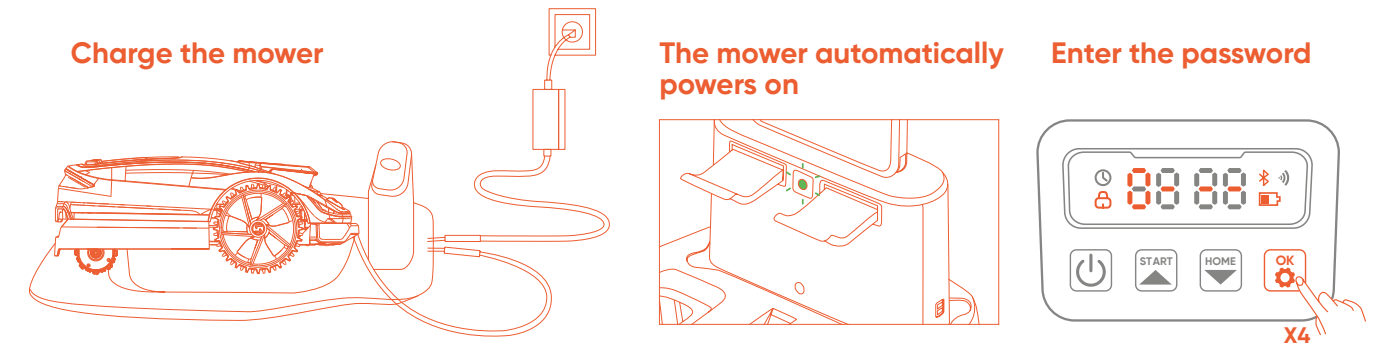
Find a suitable location to install the RTK base station



Find a suitable location to install the charging station



Charge and activate the mower (Default Password 0000)



5. If you encounter any problems during the usage, scan the QR code or login in the official website <https://support.sunseeker-elite.com>



WEBSITE